



US00D677702S

(12) **United States Design Patent**
O'Shea

(10) **Patent No.:** **US D677,702 S**
(45) **Date of Patent:** **** Mar. 12, 2013**

(54) **FLUID PUMP**

(75) Inventor: **John O'Shea**, Co Wexford (IE)

(73) Assignee: **Sulzer Pump Solutions AB**, Malmo (SE)

(**) Term: **14 Years**

(21) Appl. No.: **29/431,270**

(22) Filed: **Sep. 5, 2012**

Related U.S. Application Data

(63) Continuation of application No. 29/424,753, filed on Jun. 15, 2012.

Foreign Application Priority Data

Dec. 15, 2011 (WO) DM/077 899

(51) **LOC (9) Cl.** **15-02**

(52) **U.S. Cl.** **D15/7**

(58) **Field of Classification Search** D15/7-9;
D23/231, 232; 417/410.1, 359, 415-416,
417/234, 321, 265, 405, 521
See application file for complete search history.

References Cited

U.S. PATENT DOCUMENTS

| | | | |
|--------------|---------|----------------------|-------|
| D227,934 S * | 7/1973 | Campbell et al. | D15/7 |
| D229,783 S * | 1/1974 | Campbell et al. | D15/7 |
| D236,756 S * | 9/1975 | Franzen | D15/7 |
| D237,011 S * | 9/1975 | Stroberg et al. | D15/7 |
| D242,651 S * | 12/1976 | Arakawa | D15/7 |
| D252,149 S * | 6/1979 | Pages | D15/7 |
| D258,210 S * | 2/1981 | Shure | D15/7 |
| D268,412 S * | 3/1983 | Davis et al. | D15/7 |
| D328,602 S * | 8/1992 | Peterson | D15/7 |
| D395,317 S * | 6/1998 | Karlsson et al. | D15/7 |
| D401,944 S * | 12/1998 | Campbell | D15/7 |

| | | | |
|--------------|---------|---------------------|-------|
| D404,040 S * | 1/1999 | Suthmann | D15/7 |
| D440,230 S * | 4/2001 | Craford et al. | D15/7 |
| D440,231 S * | 4/2001 | Craford et al. | D15/7 |
| D464,362 S * | 10/2002 | Tsai | D15/7 |
| D491,577 S * | 6/2004 | Akimoto et al. | D15/7 |
| D491,957 S * | 6/2004 | Fang | D15/7 |
| D492,324 S * | 6/2004 | Stevens | D15/7 |
| D558,233 S * | 12/2007 | Itani | D15/7 |
| D565,600 S * | 4/2008 | Tazioli | D15/7 |
| D590,420 S * | 4/2009 | Casalini | D15/7 |
| D605,663 S * | 12/2009 | Hopper | D15/7 |
| D647,110 S * | 10/2011 | Pages | D15/7 |
| D647,111 S * | 10/2011 | Pages | D15/7 |
| D649,164 S * | 11/2011 | Cook | D15/7 |
| D655,312 S * | 3/2012 | Koyama et al. | D15/7 |
| D659,166 S * | 5/2012 | Koyama et al. | D15/7 |
| D667,845 S * | 9/2012 | Moysi et al. | D15/7 |

* cited by examiner

Primary Examiner — Ralf Seifert

(74) *Attorney, Agent, or Firm* — Birch, Stewart, Kolasch & Birch, LLP

(57) **CLAIM**

The ornamental design for a fluid pump, as shown and described.

DESCRIPTION

FIG. 1 is a front, right perspective view of a fluid pump showing my new design;

FIG. 2 is a rear, left perspective view thereof;

FIG. 3 is a right side view thereof;

FIG. 4 is a left side view thereof;

FIG. 5 is a front view thereof;

FIG. 6 is a rear view thereof;

FIG. 7 is a top view thereof; and,

FIG. 8 is a bottom view thereof.

The portions in the drawings illustrated in broken lines represent the boundary of the design and therefore form no part of the claimed design.

1 Claim, 7 Drawing Sheets

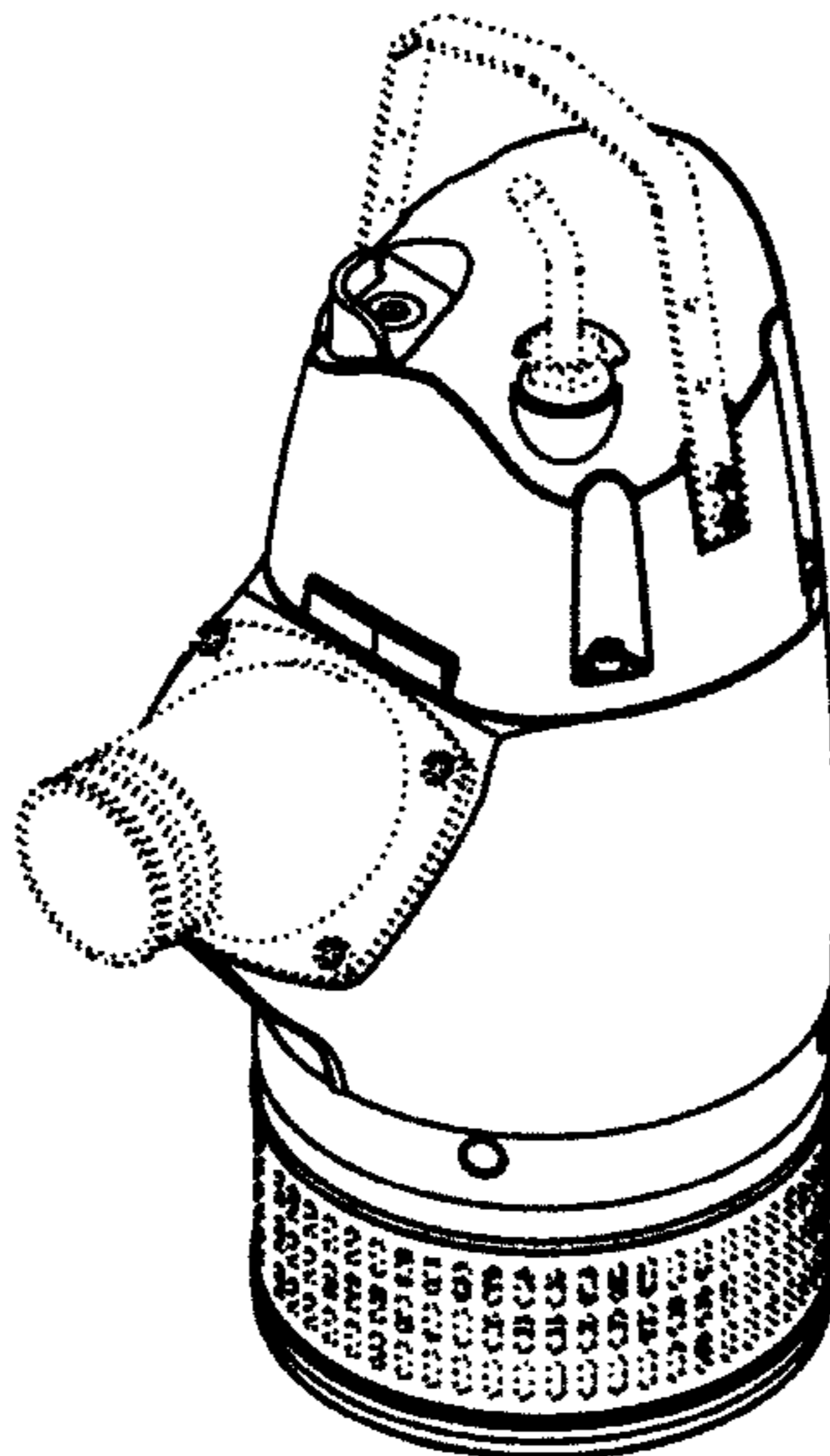


FIG. 1

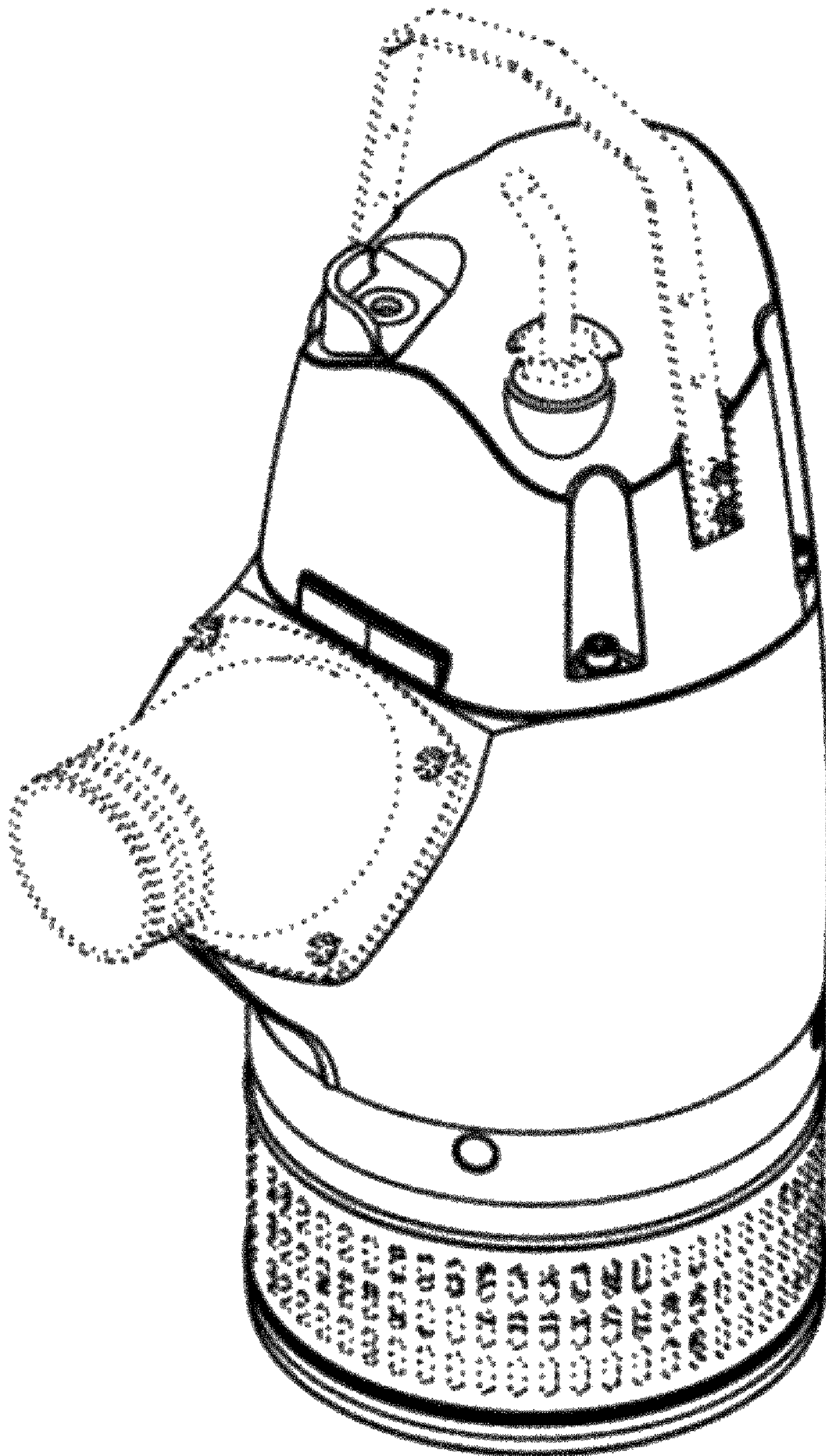


FIG. 2

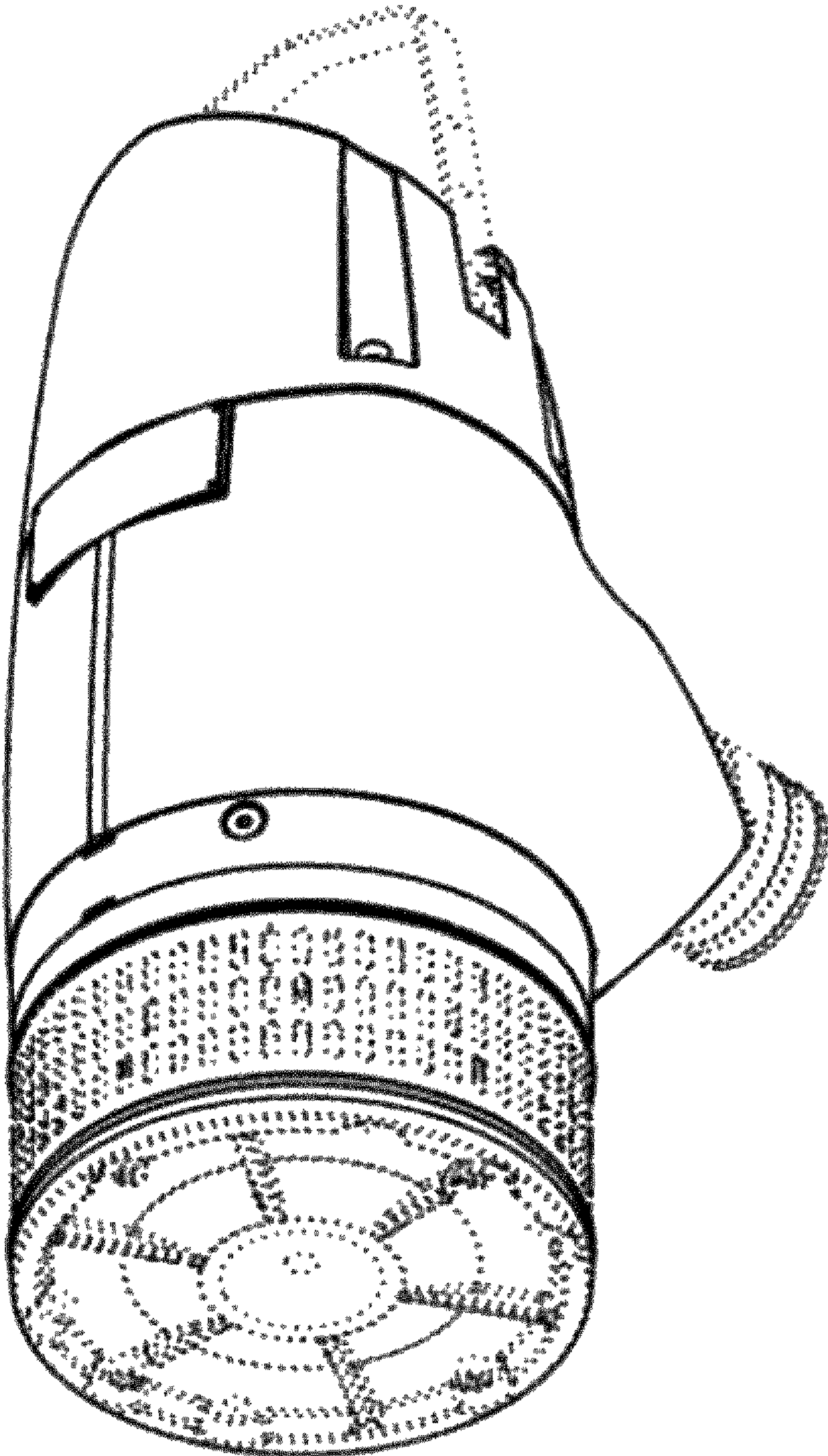


FIG. 3

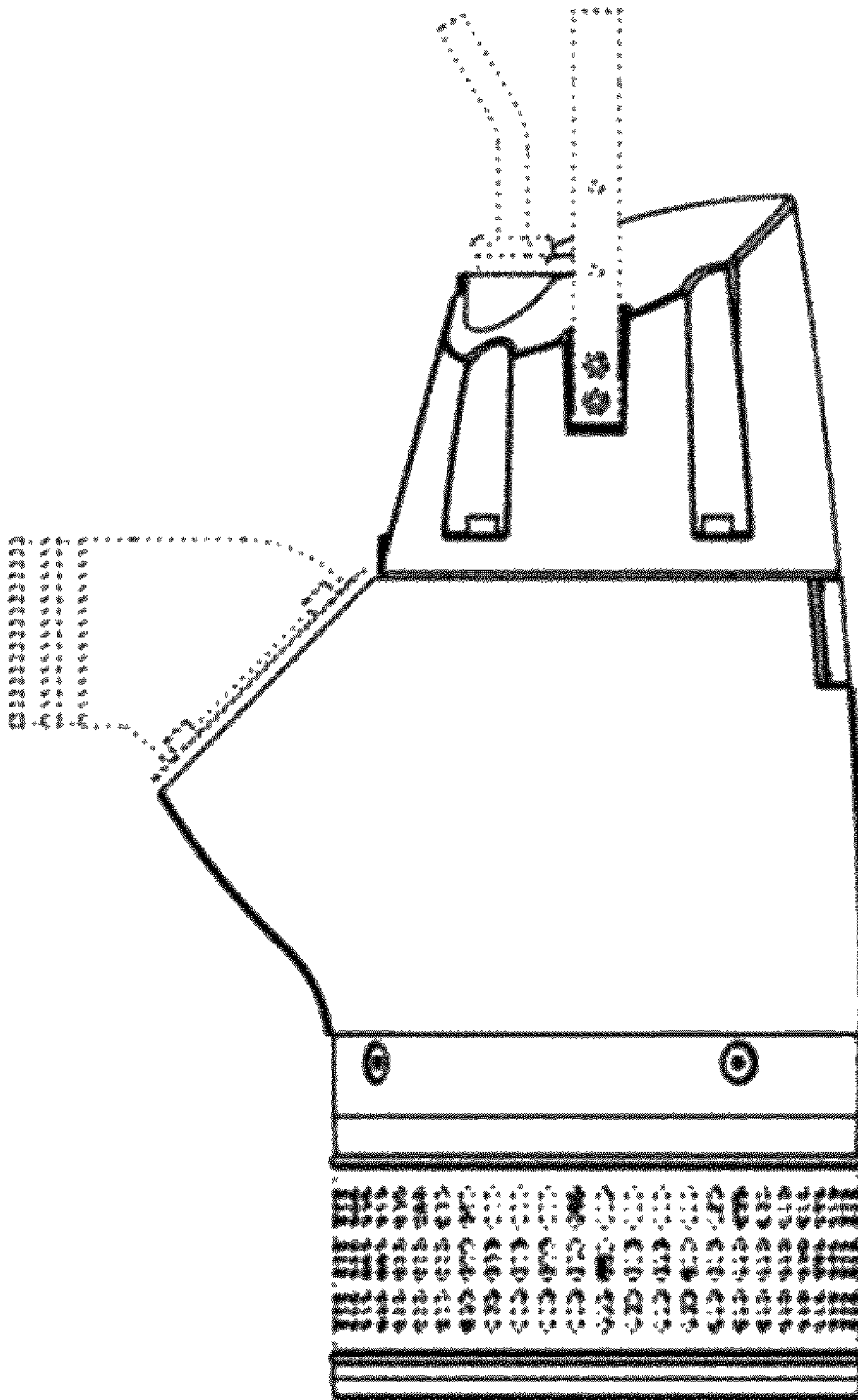


FIG. 4

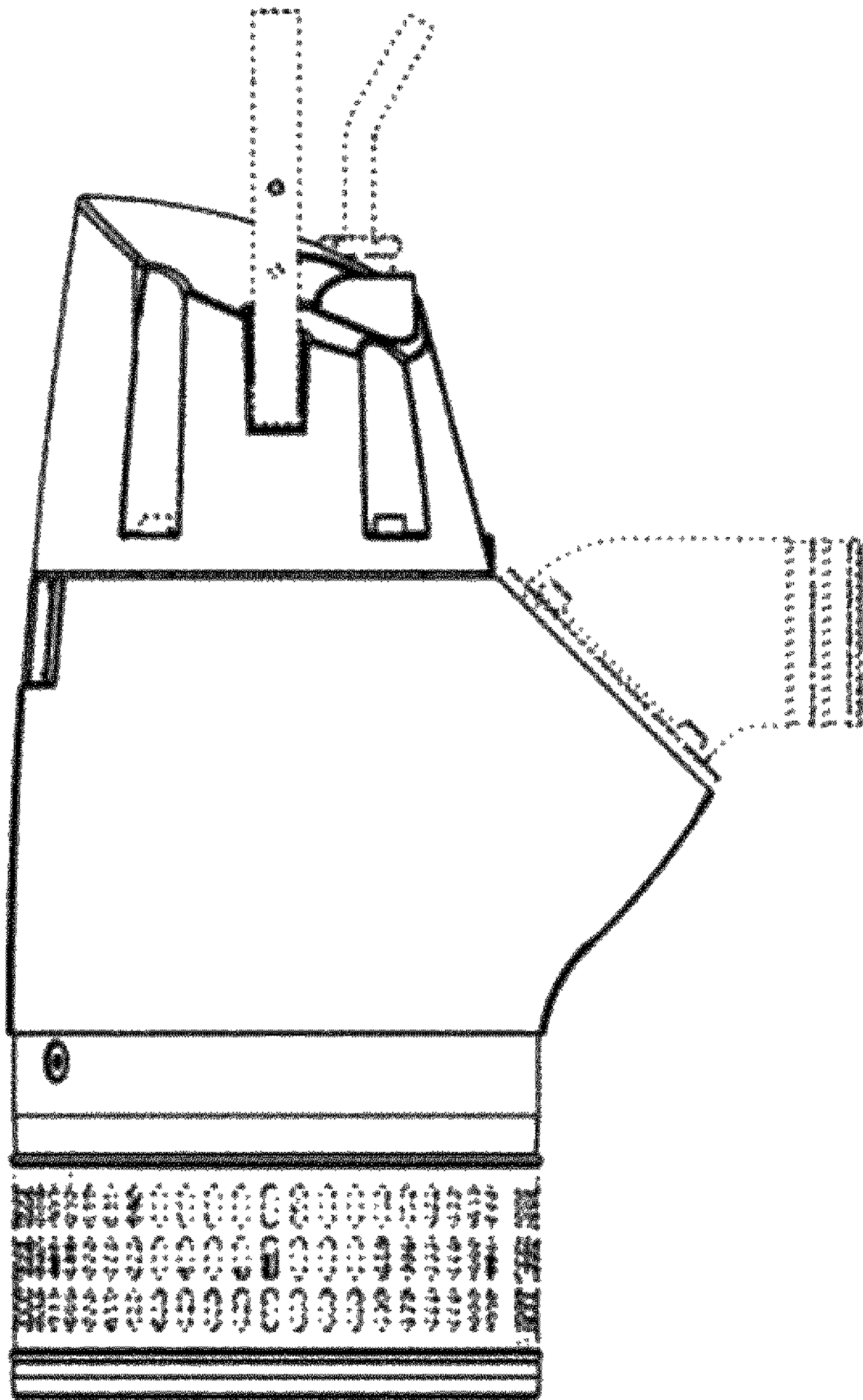


FIG. 5

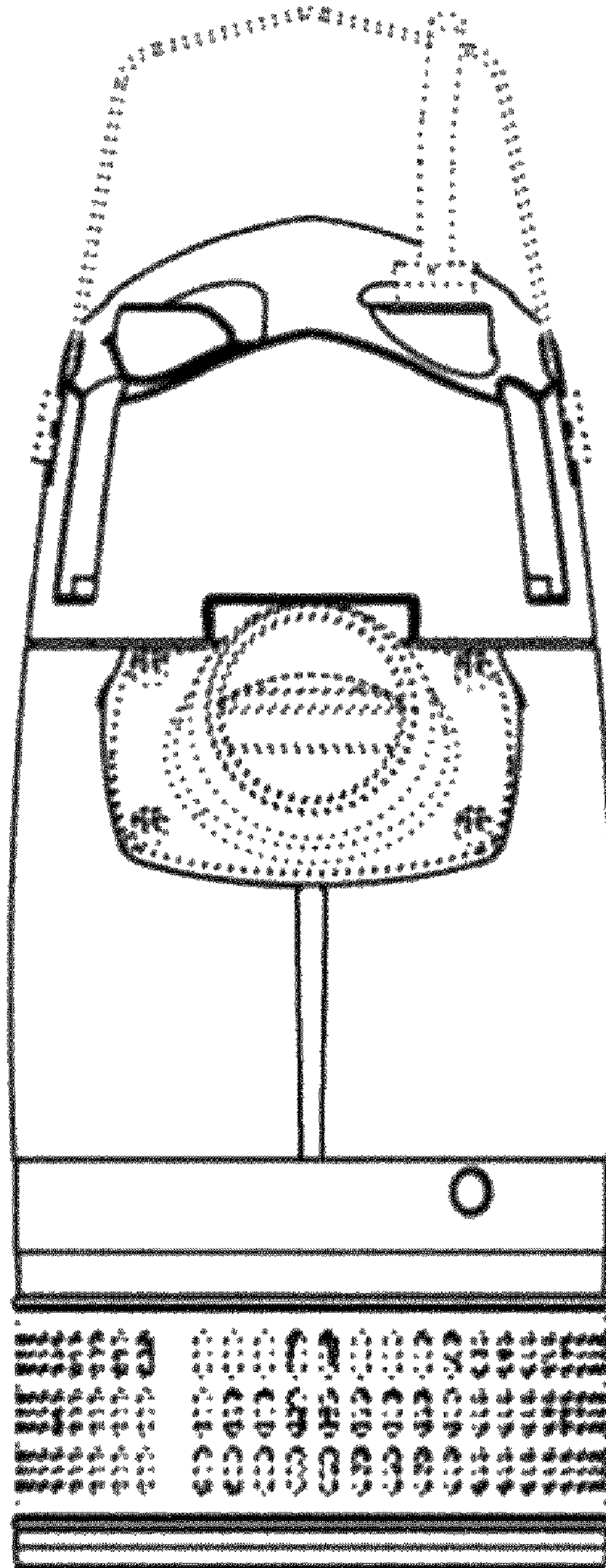


FIG. 6

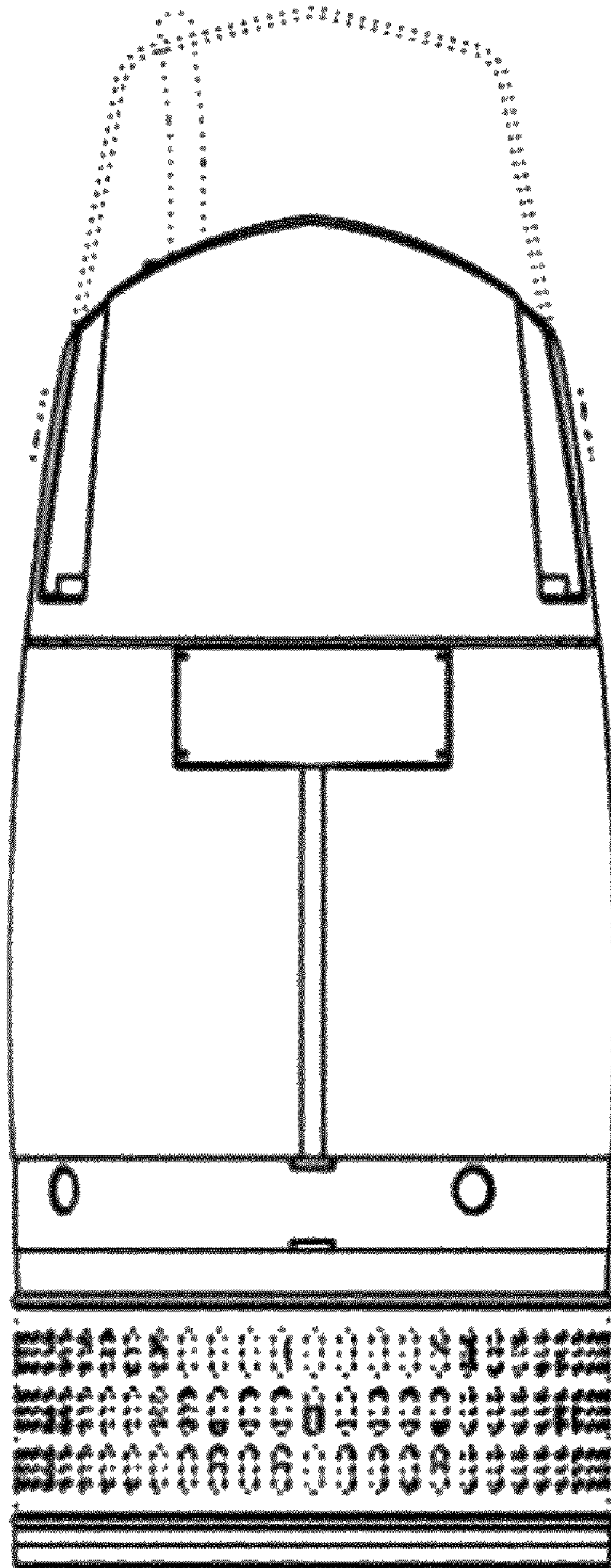


FIG. 7

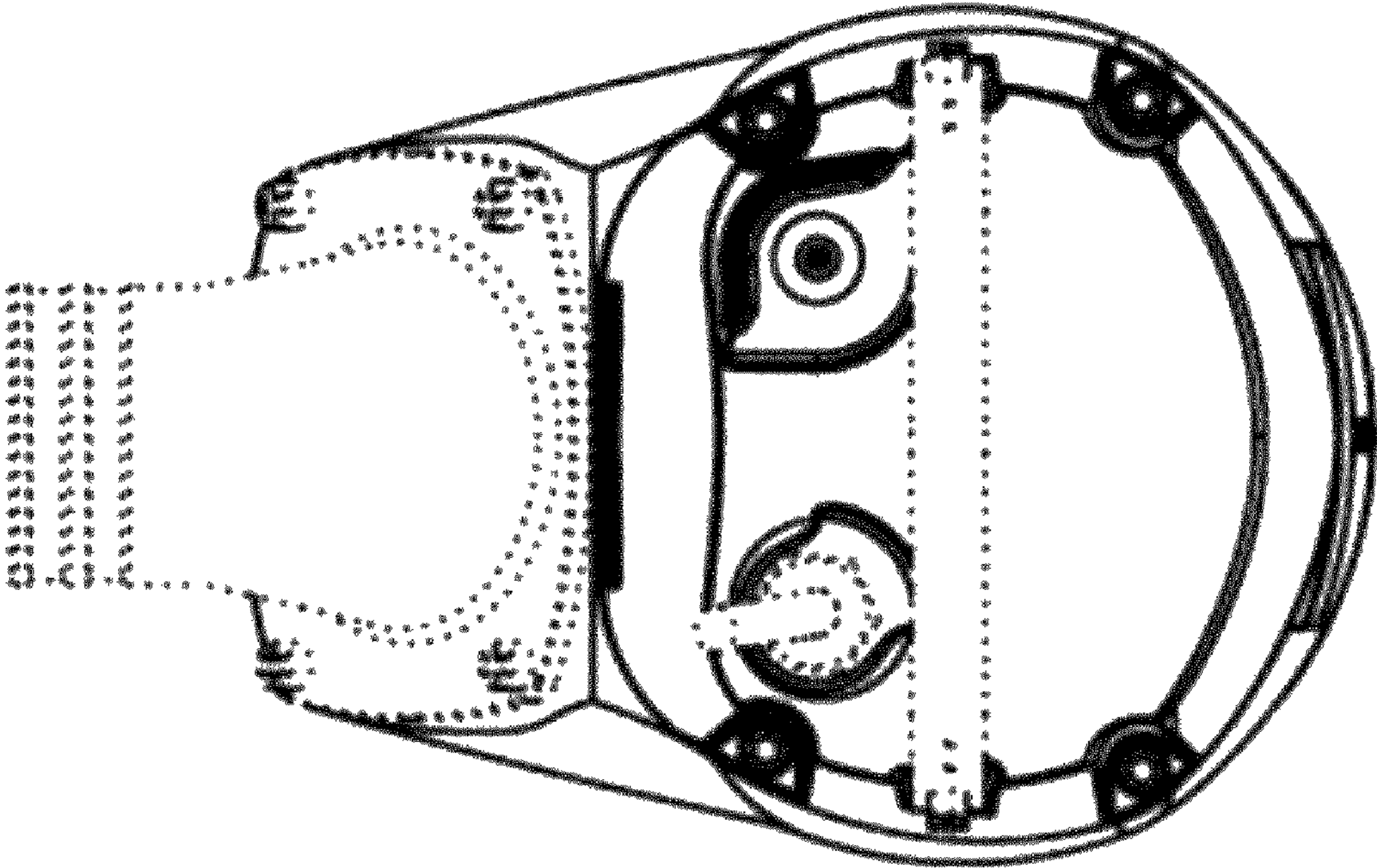


FIG. 8

