



US00D677701S

(12) **United States Design Patent**  
**Moysi et al.**

(10) **Patent No.:** **US D677,701 S**  
(45) **Date of Patent:** **\*\* Mar. 12, 2013**

(54) **SUBMERSIBLE PUMP HOUSING**  
(75) Inventors: **Dustin Mark Moysi**, Mansfield, OH  
(US); **Michael L. Stoffer**, Ashland, OH  
(US)  
(73) Assignee: **The Gorman-Rupp Company**,  
Mansfield, OH (US)  
(\*\*) Term: **14 Years**

D450,327 S \* 11/2001 Mori et al. .... D15/7  
D453,525 S 2/2002 Lutes  
D466,522 S \* 12/2002 Huang ..... D15/7  
D471,561 S \* 3/2003 Kohsaka ..... D15/7  
6,612,620 B1 9/2003 Nordstrom et al.  
D485,565 S \* 1/2004 Martinello ..... D15/7  
D486,835 S \* 2/2004 Hsiao ..... D15/9  
D492,324 S \* 6/2004 Stevens ..... D15/7  
D518,068 S \* 3/2006 Rodopoulos ..... D15/7  
D539,819 S \* 4/2007 Fischer ..... D15/7  
D555,089 S 11/2007 Lutz  
D558,232 S \* 12/2007 Wang ..... D15/7

(21) Appl. No.: **29/429,791**

(22) Filed: **Aug. 16, 2012**

**Related U.S. Application Data**

(62) Division of application No. 29/376,106, filed on Oct. 1, 2010, now Pat. No. Des. 667,845.  
(51) **LOC (9) Cl.** ..... **15-02**  
(52) **U.S. Cl.** ..... **D15/7**  
(58) **Field of Classification Search** ..... D15/7-9;  
D23/231, 232, 225; 417/410.1, 359, 415-416,  
417/234, 321, 265, 405  
See application file for complete search history.

(56) **References Cited**

**U.S. PATENT DOCUMENTS**

D179,746 S \* 2/1957 Sudmeier ..... D15/9  
D191,889 S \* 12/1961 Hyde ..... D15/9  
D237,011 S \* 9/1975 Stroberg et al. .... D15/7  
D263,302 S \* 3/1982 Terajima et al. .... D15/7  
D284,380 S \* 6/1986 Berg et al. .... D15/7  
D294,361 S \* 2/1988 Williams ..... D15/9  
D316,864 S 5/1991 Davis et al.  
D328,304 S \* 7/1992 Frohn et al. .... D15/7  
D339,144 S 9/1993 Cline, Sr.  
D372,251 S \* 7/1996 Bohncke ..... D15/7  
D372,719 S \* 8/1996 Jensen ..... D15/7  
D383,763 S 9/1997 Youngs  
5,988,944 A 11/1999 Youngs  
D425,911 S 5/2000 Fleischer et al.  
6,079,751 A 6/2000 Youngs  
6,145,891 A 11/2000 Youngs  
D440,230 S 4/2001 Craford et al.  
D440,231 S 4/2001 Craford et al.  
D447,148 S \* 8/2001 Antony et al. .... D15/7

(Continued)

**OTHER PUBLICATIONS**

Photograph (labeled Exhibit 1) of a submersible pump that was publicly disclosed, on sale or in public use prior to the filing date of the parent application U.S. Appl. No. 29/376,106, filed Oct. 1, 2010.

(Continued)

*Primary Examiner* — Ralf Seifert

(74) *Attorney, Agent, or Firm* — Tarolli, Sundheim, Covell & Tummino LLP

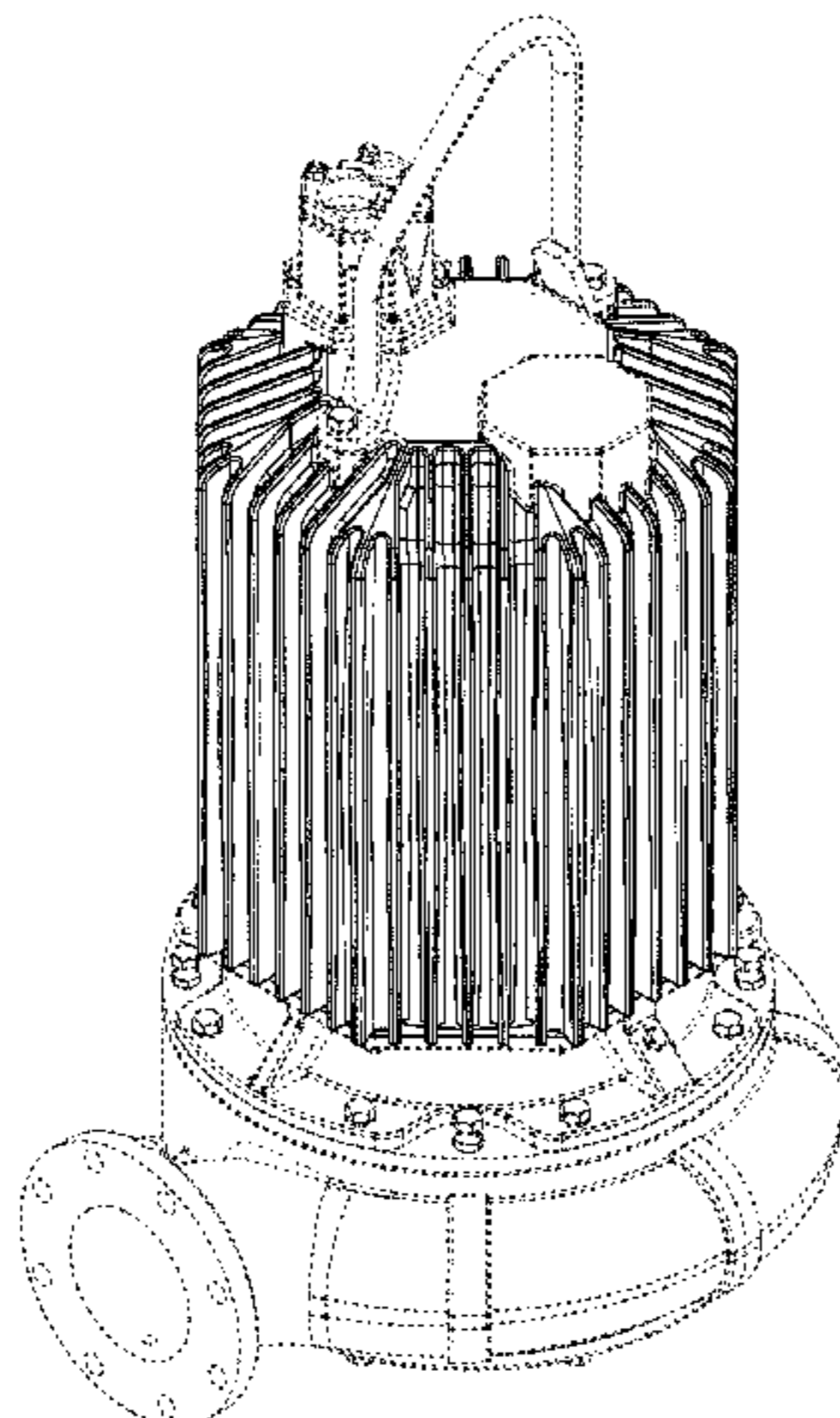
(57) **CLAIM**

We claim the ornamental design for a submersible pump housing, as shown and described.

**DESCRIPTION**

FIG. 1 is a perspective view of a submersible pump housing showing our new design;  
FIG. 2 is one side elevational view;  
FIG. 3 is a side elevational view rotated 90° from the position shown in FIG. 2;  
FIG. 4 is a side elevational view rotated 90° from the position shown in FIG. 3;  
FIG. 5 is a side elevational view rotated 90° from the position shown in FIG. 4;  
FIG. 6 is a top plan view; and,  
FIG. 7 is a bottom plan view.  
The broken lines in FIGS. 1-7 are for illustrative purposes only and form no part of the claimed design.

**1 Claim, 6 Drawing Sheets**



U.S. PATENT DOCUMENTS

D562,849	S	*	2/2008	Buitenhuis et al.	.....	D15/7
D573,609	S	*	7/2008	Bilger	.....	D15/7
D604,745	S	*	11/2009	Sinico	.....	D15/7
D617,814	S	*	6/2010	Dreifert	.....	D15/7
D619,624	S	*	7/2010	Iwagoshi et al.	.....	D15/7
D624,094	S	*	9/2010	Chen	.....	D15/9
D630,229	S	*	1/2011	Dreifert	.....	D15/7
D647,537	S	*	10/2011	Mehnert et al.	.....	D15/7
D649,164	S	*	11/2011	Cook	.....	D15/7
D649,561	S	*	11/2011	Bauck et al.	.....	D15/7
D652,844	S	*	1/2012	Hanitsch et al.	.....	D15/7

OTHER PUBLICATIONS

Photograph (labeled Exhibit 2) of a submersible pump that was publicly disclosed, on sale or in public use prior to the filing date of the parent application U.S. Appl. No. 29/376,106, filed Oct. 1, 2010. Photographs (labeled Exhibits 2A and 2B) of a motor driving a pump that was publicly disclosed, on sale or in public use prior to the filing date of the parent application U.S. Appl. No. 29/376,106, filed Oct. 1, 2010.

A webpage printout showing a Zoeller submersible pump that was publicly disclosed, on sale or in public use prior to the filing date of the parent application U.S. Appl. No. 29/376,106, filed Oct. 1, 2010.

A webpage printout showing a PX Pump that was publicly disclosed, on sale or in public use prior to the filing date of the parent application U.S. Appl. No. 29/376,106, filed Oct. 1, 2010.

ITT advertising leaflet showing a picture of a Flygt D 8000 Series pump that was publicly disclosed, on sale or in public use prior to the filing date of the parent application U.S. Appl. No. 29/376,106, filed Oct. 1, 2010.

ITT advertising leaflet showing a picture of a Flygt H 8000 Series pump that was publicly disclosed, on sale or in public use prior to the filing date of the parent application U.S. Appl. No. 29/376,106, filed Oct. 1, 2010.

A webpage printout showing a Mody submersible pump that it is believed was publicly disclosed, on sale or in public use prior to the filing date the parent application U.S. Appl. No. 29/376,106, filed Oct. 1, 2010.

Specification leaflet including photos of a model MH 480 Mody submersible pump that it is believed was publicly disclosed, on sale or in public use prior to the filing date of the parent application U.S. Appl. No. 29/376,106, filed Oct. 1, 2010.

\* cited by examiner

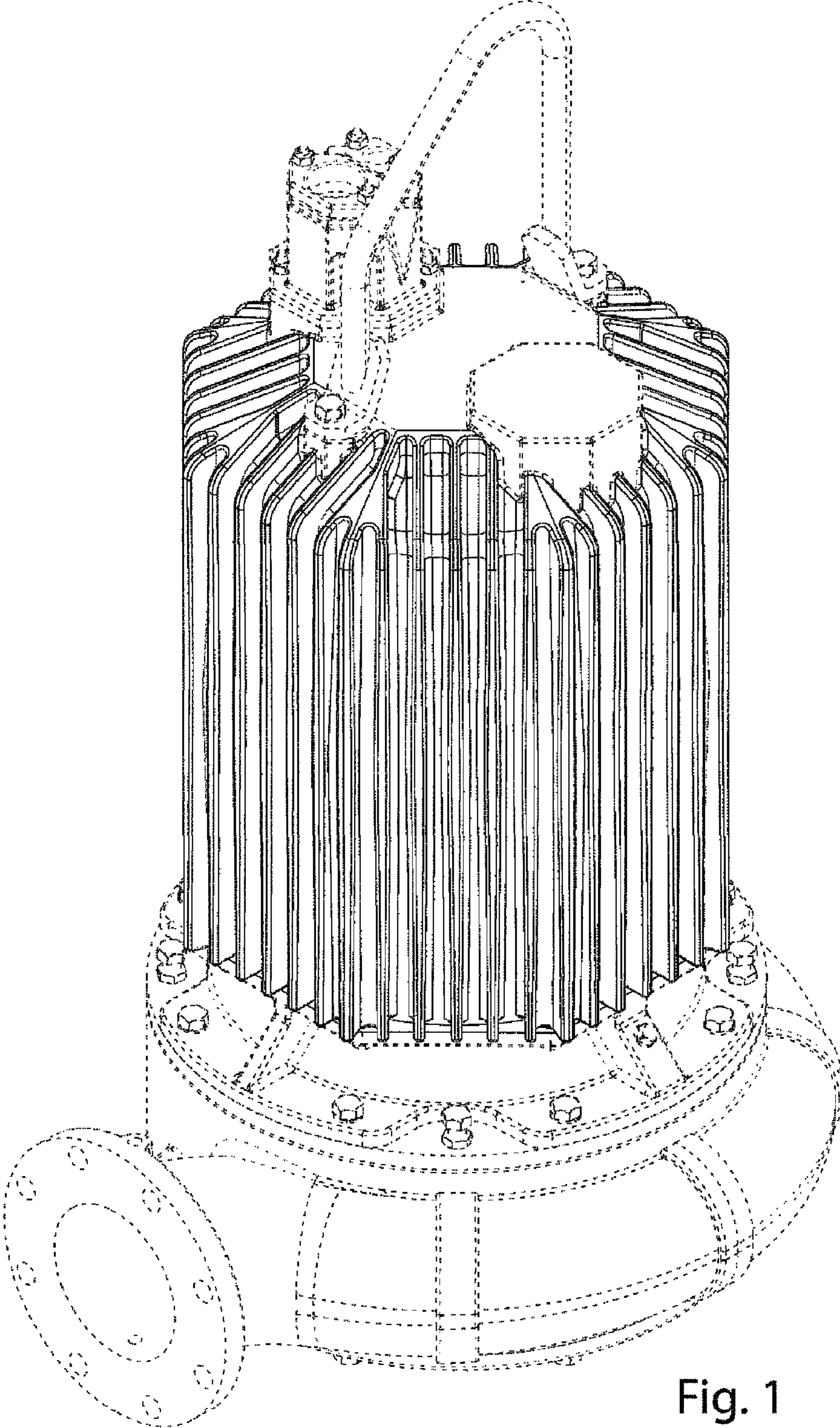


Fig. 1

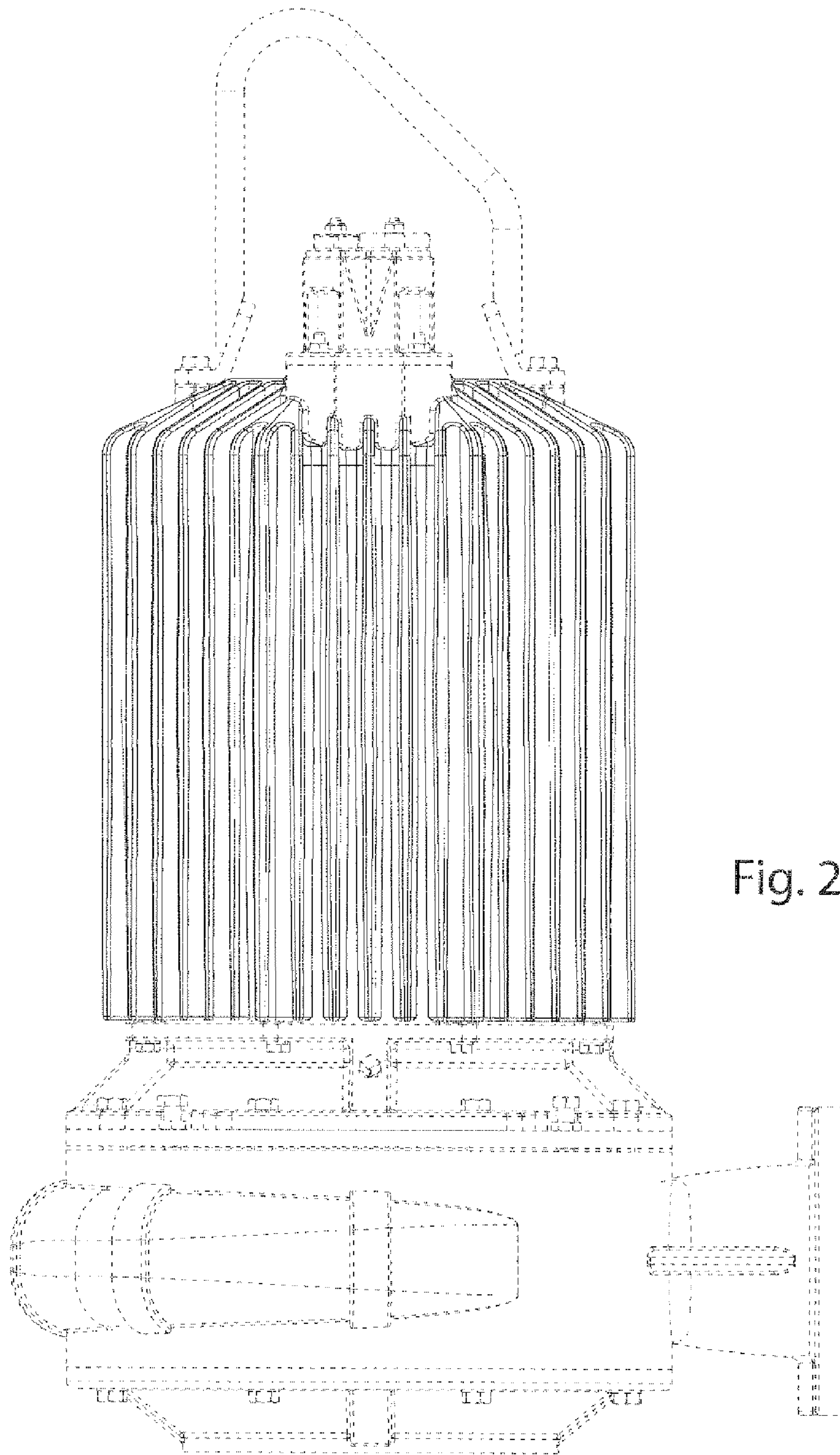


Fig. 2

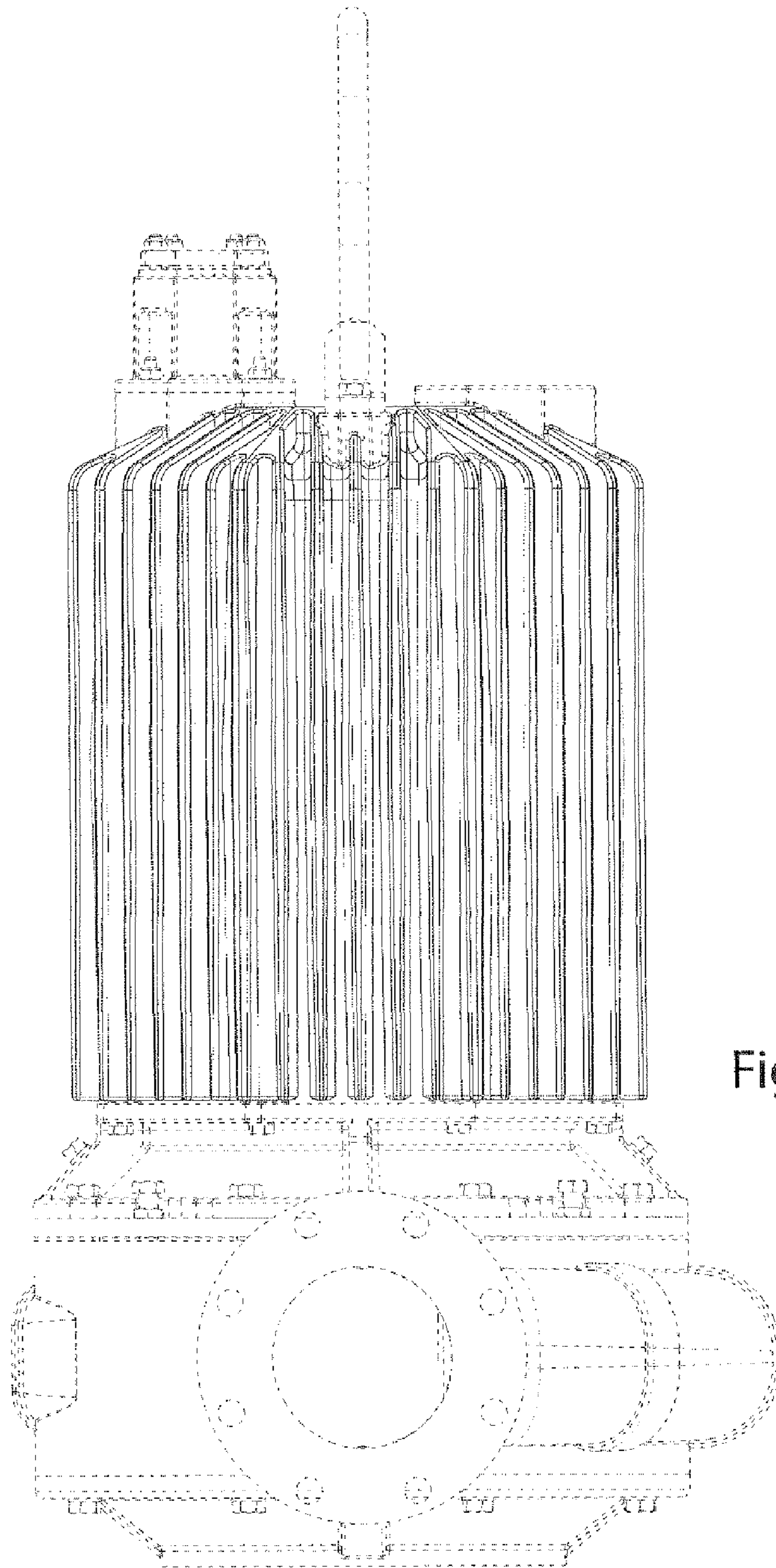


Fig. 3

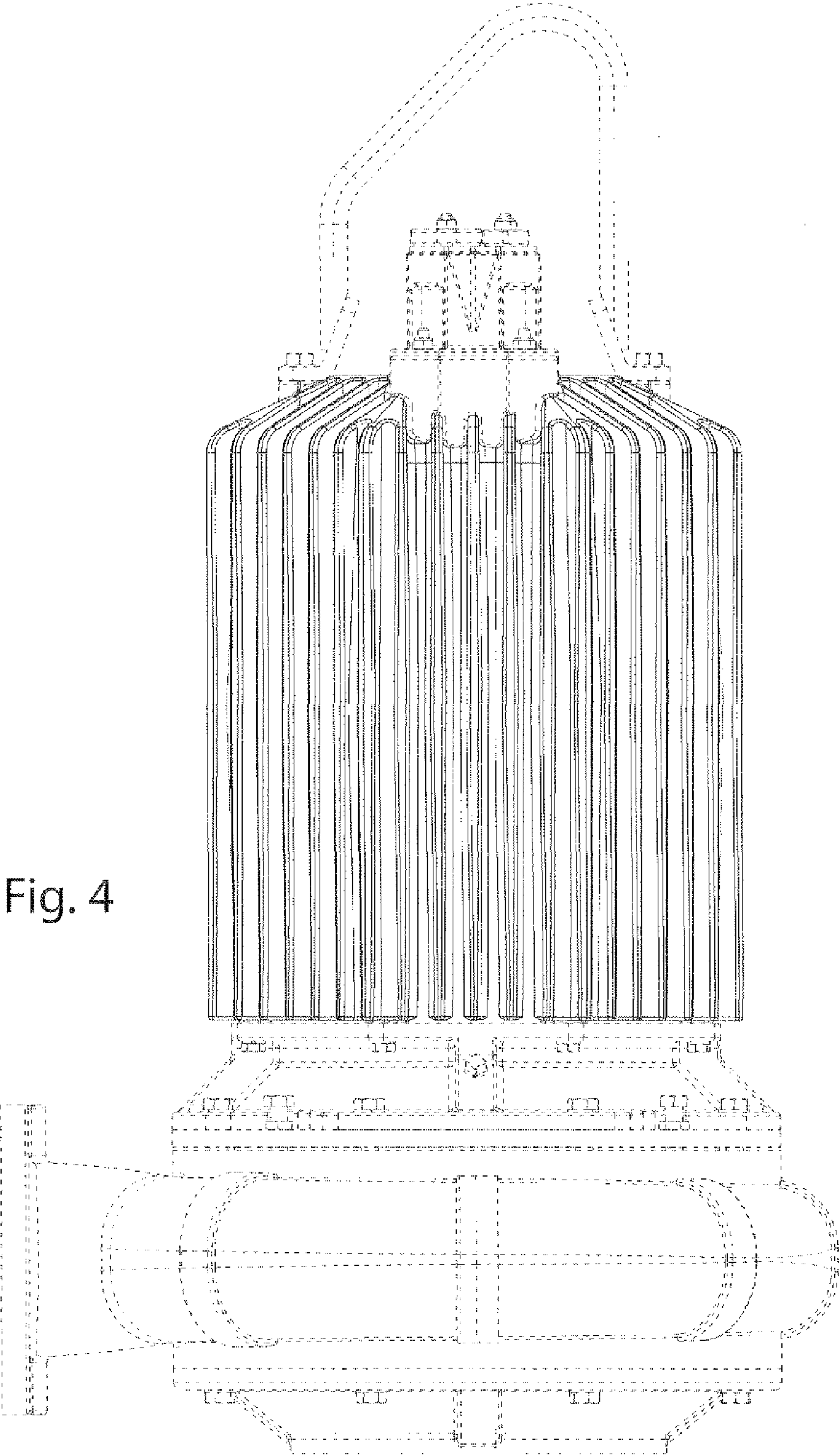


Fig. 4

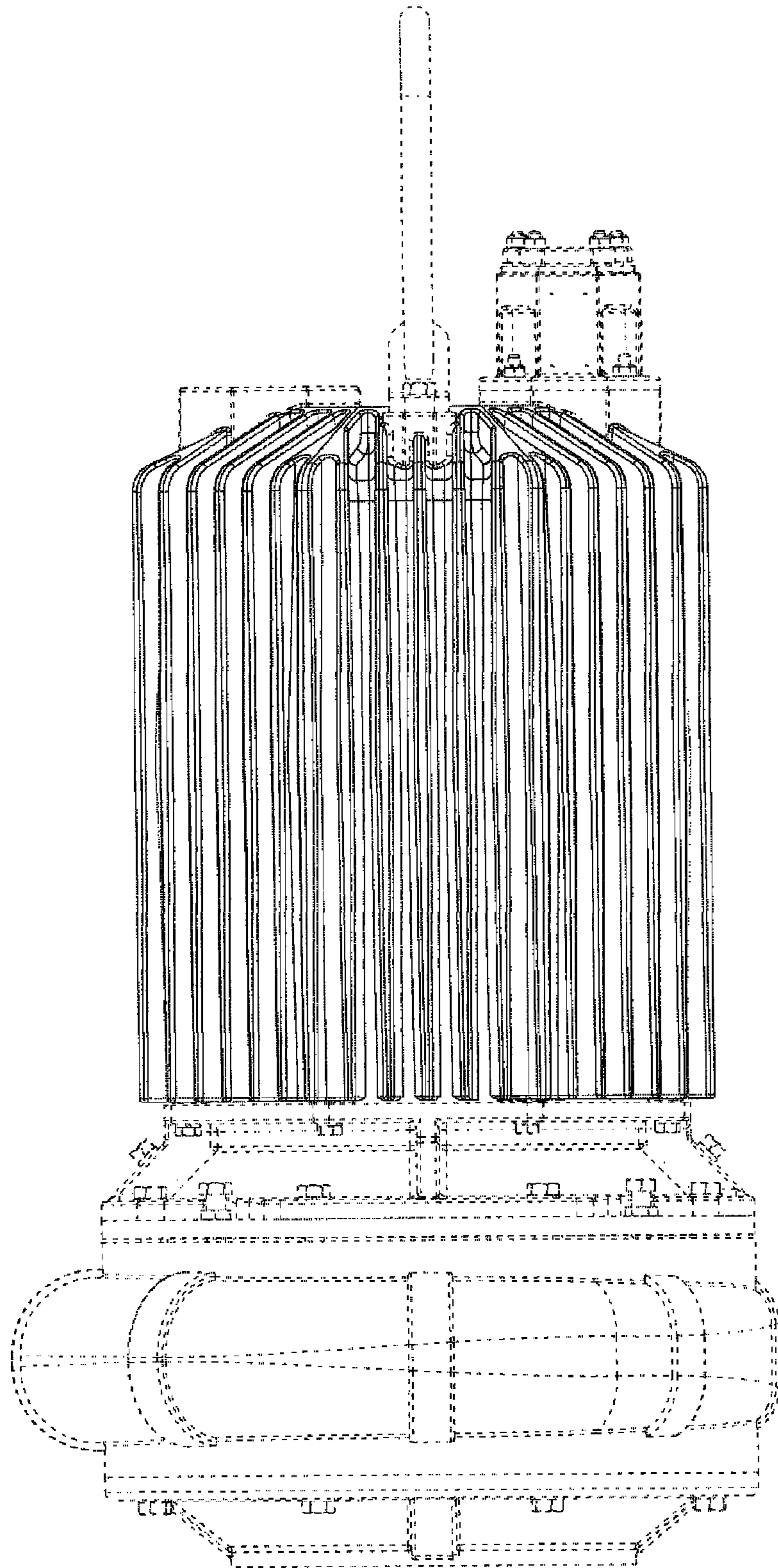


Fig. 5

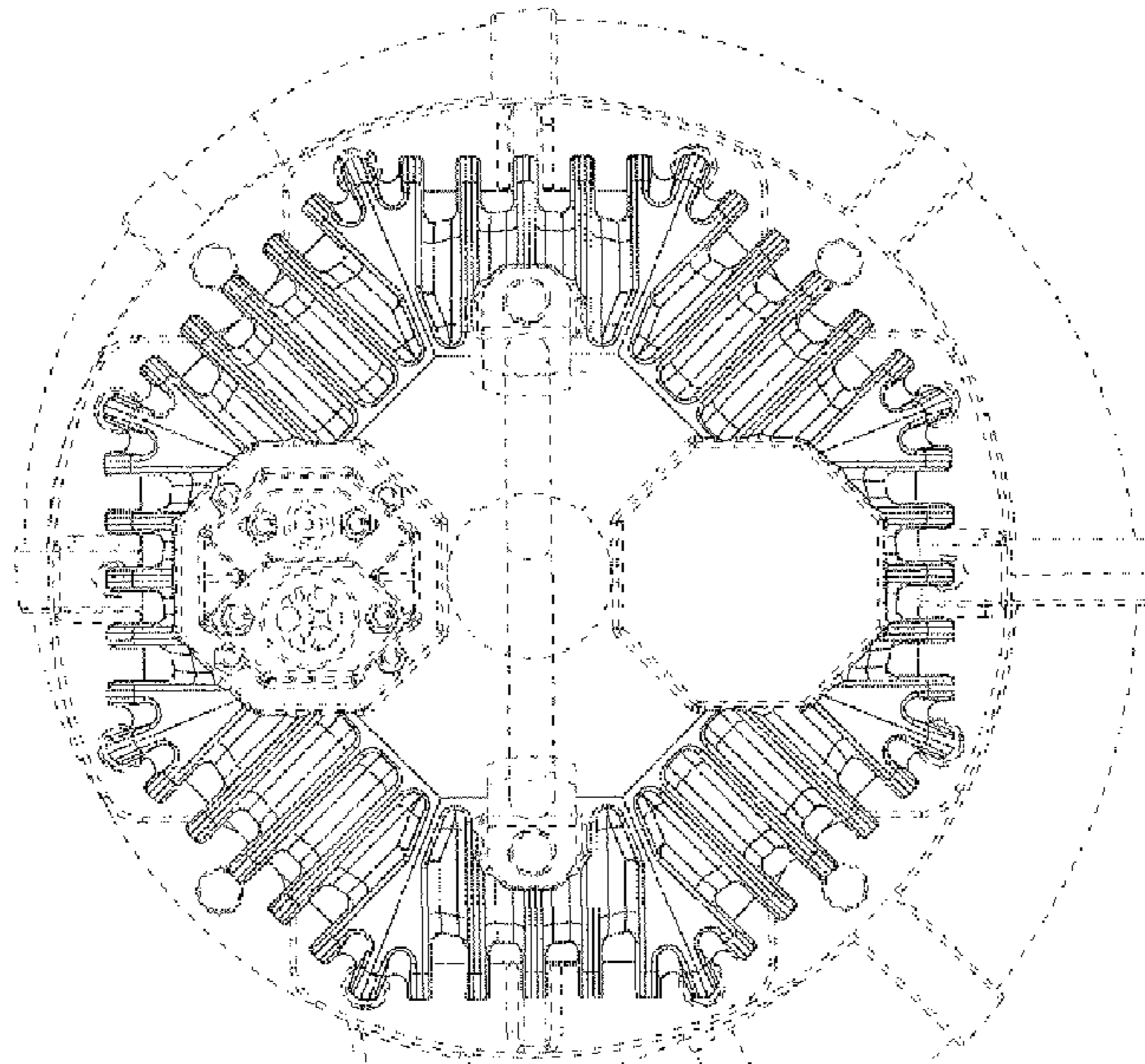


Fig. 6

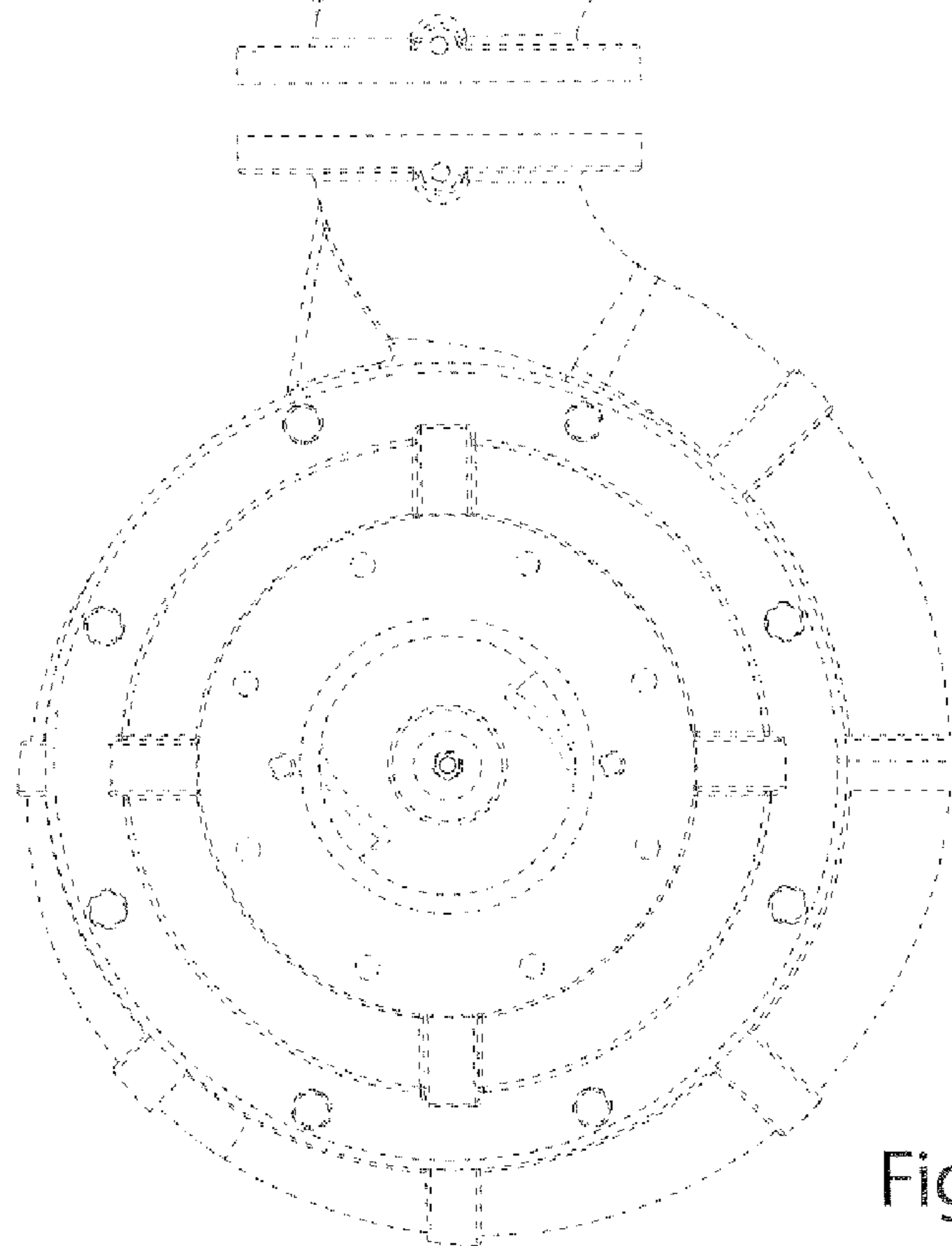


Fig. 7