



US00D677699S

(12) **United States Design Patent**
Finnican

(10) **Patent No.:** **US D677,699 S**
(45) **Date of Patent:** **** Mar. 12, 2013**

(54) **MANIFOLD**

(76) Inventor: **Greg Finnican**, Charlotte, NC (US)

(**) Term: **14 Years**

(21) Appl. No.: **29/428,333**

(22) Filed: **Jul. 30, 2012**

(51) **LOC (9) Cl.** **15-01**

(52) **U.S. Cl.** **D15/5**

(58) **Field of Classification Search** D15/1-6;
23/41.73; 123/210, 41.7, 184.21, 184.35,
123/184.43, 184.48

See application file for complete search history.

(56) **References Cited**

U.S. PATENT DOCUMENTS

D364,628 S * 11/1995 Haller D15/5
D400,890 S * 11/1998 Gambardella D15/5
2011/0169186 A1 * 7/2011 Bruman et al. 264/138

* cited by examiner

Primary Examiner — T. Chase Nelson

Assistant Examiner — Ania Aman

(74) *Attorney, Agent, or Firm* — Trego, Hines & Ladenheim, PLLC

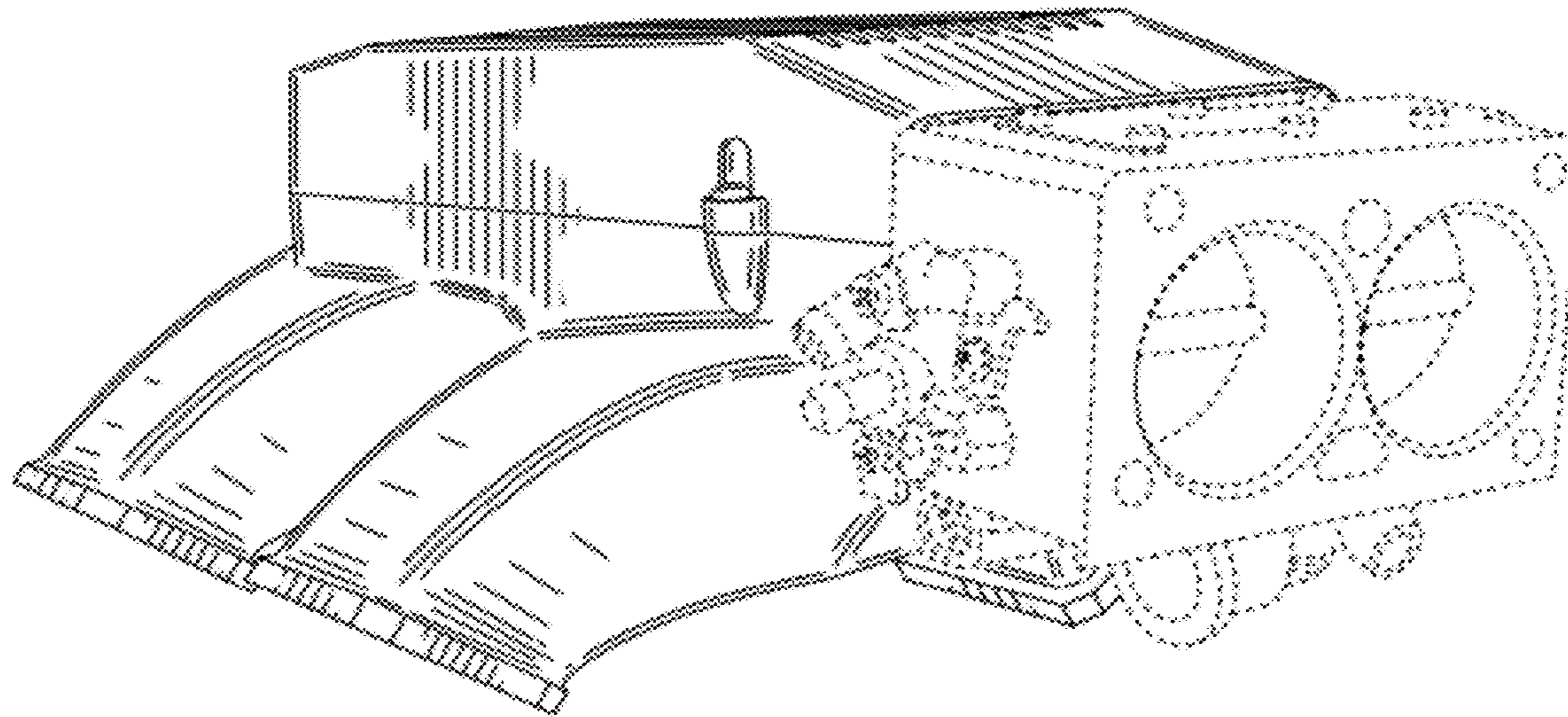
(57) **CLAIM**

I claim the ornamental design for a manifold, as shown and described.

DESCRIPTION

FIG. 1 is a perspective view of a manifold, showing my design;
FIG. 2 is another perspective view of a manifold of FIG. 1;
FIG. 3 is a front elevation of the manifold of FIG. 1;
FIG. 4 is a rear elevation of the manifold of FIG. 1;
FIG. 5 is a top view of the manifold of FIG. 1;
FIG. 6 is a bottom view of the manifold of FIG. 1;
FIG. 7 is a right elevation of the manifold of FIG. 1; and,
FIG. 8 is a left elevation of the manifold of FIG. 1.
The broken lines shown in the drawings are included for the purpose of illustrating portions of the article that form no part of the claimed design.

1 Claim, 8 Drawing Sheets



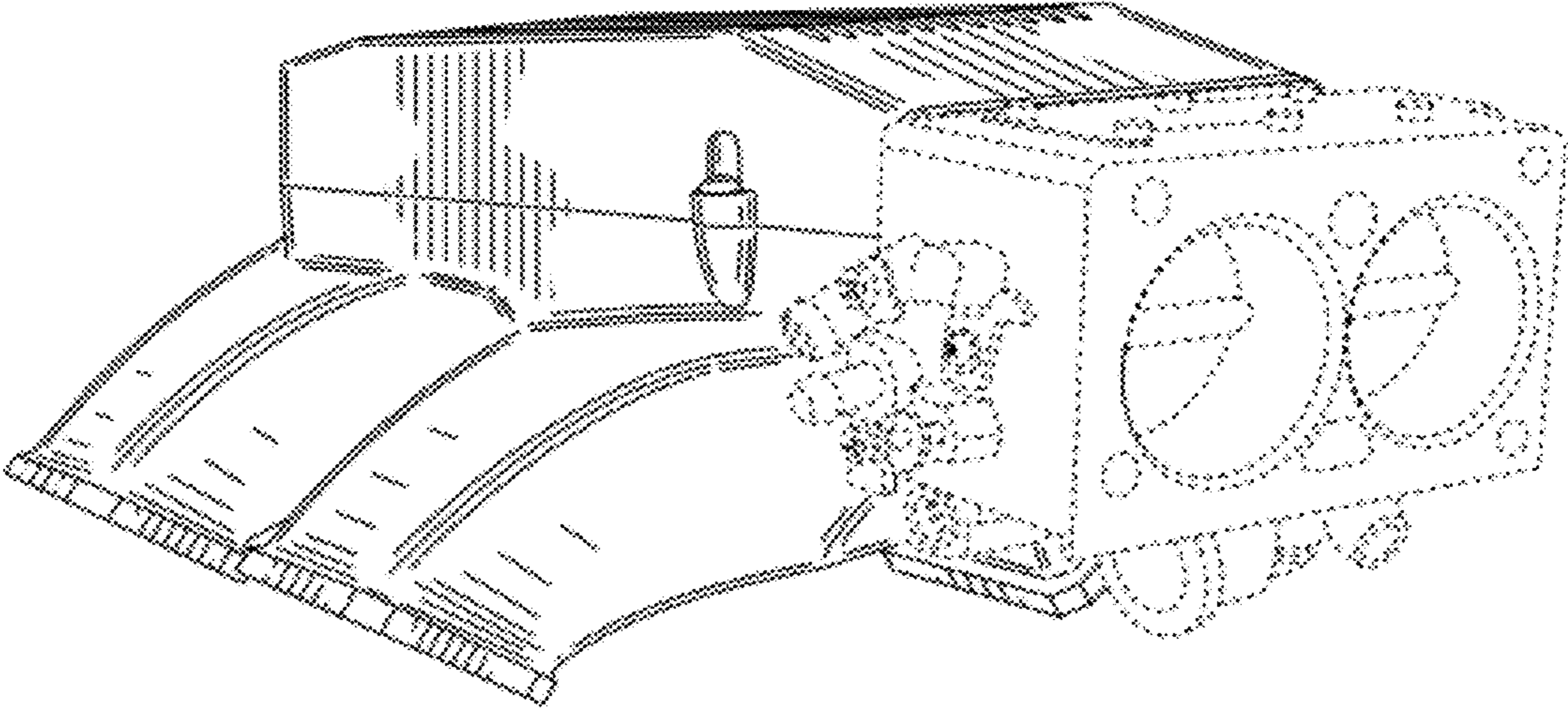


FIG. 1

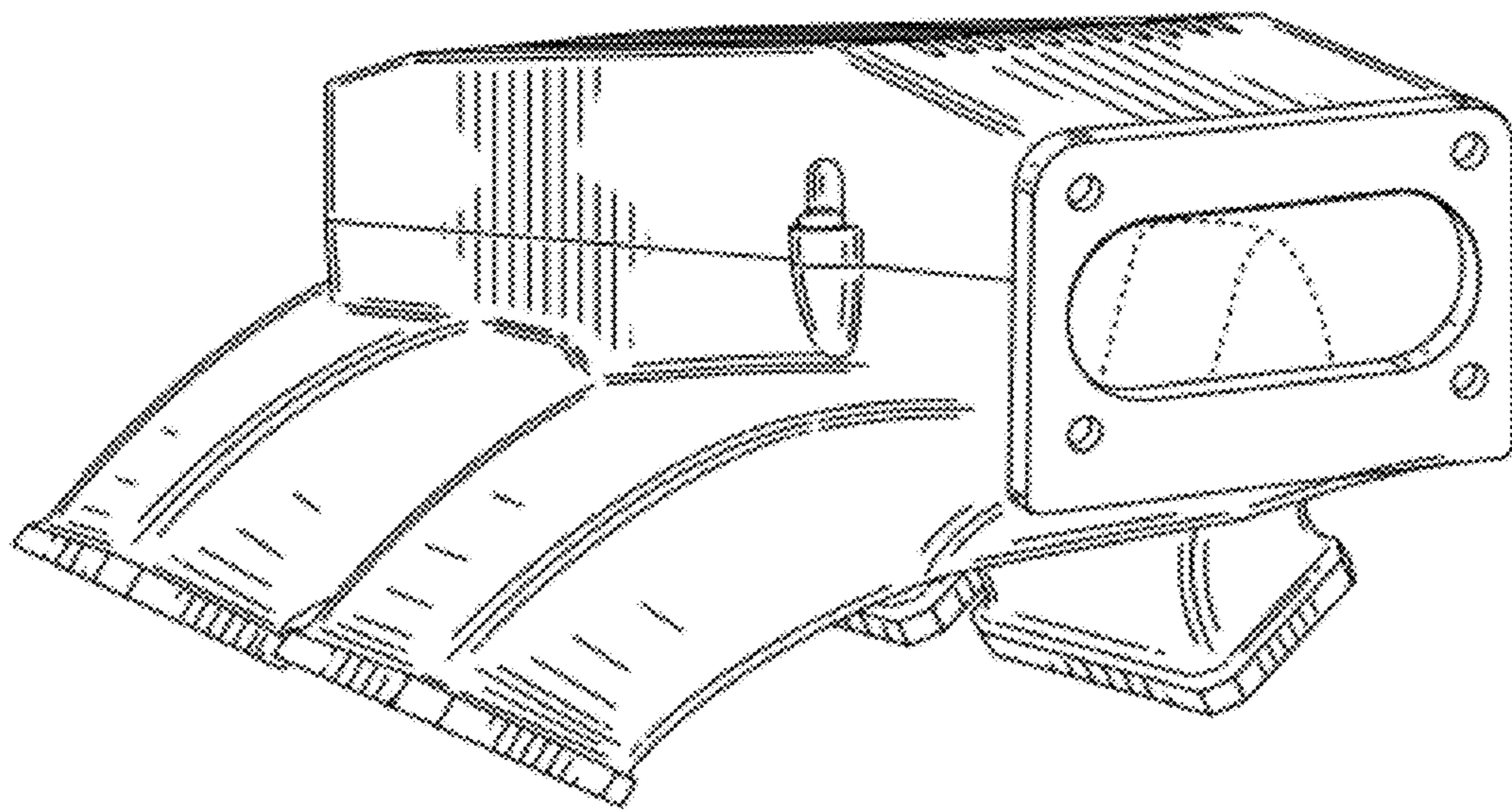


FIG. 2

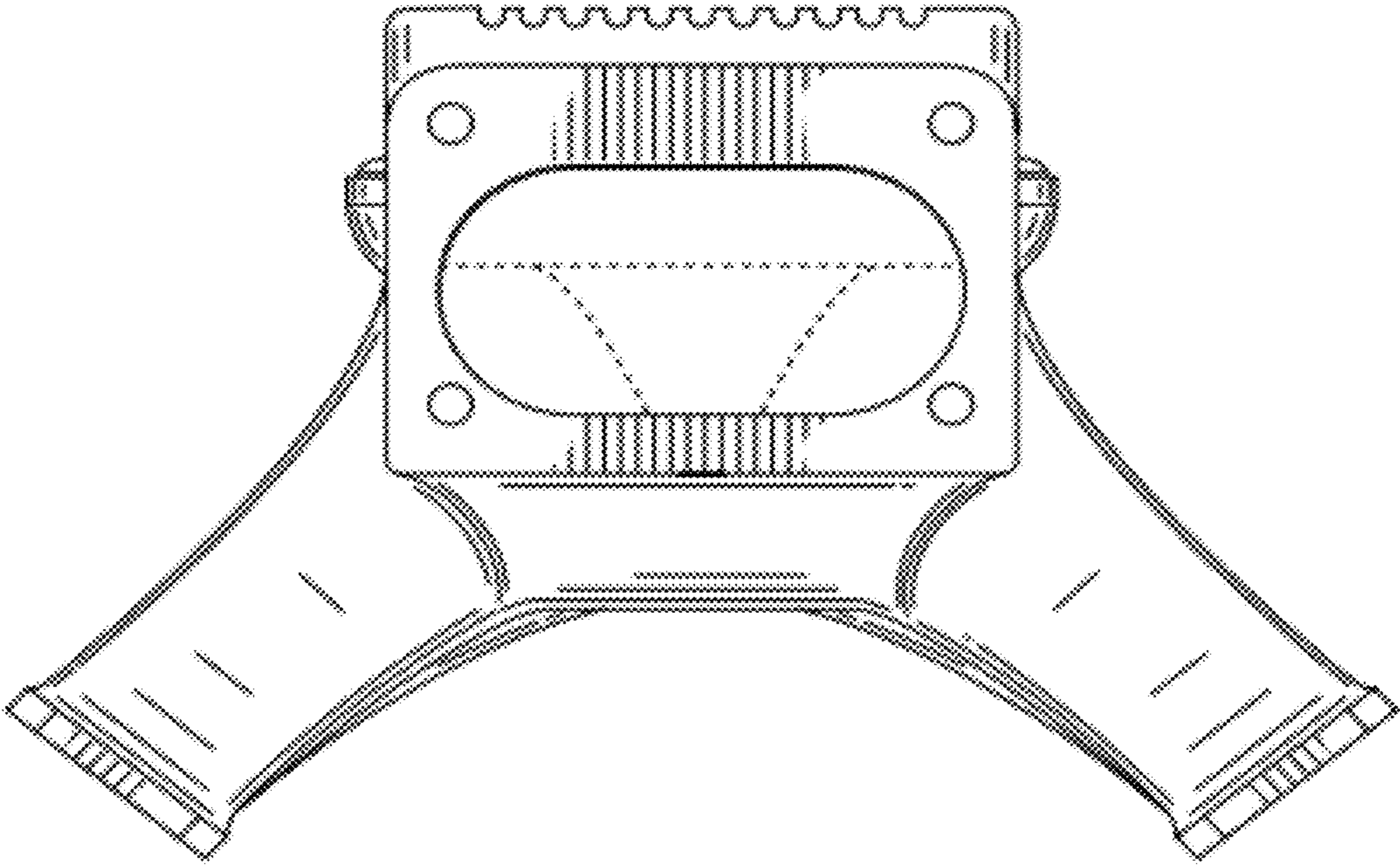


FIG. 3

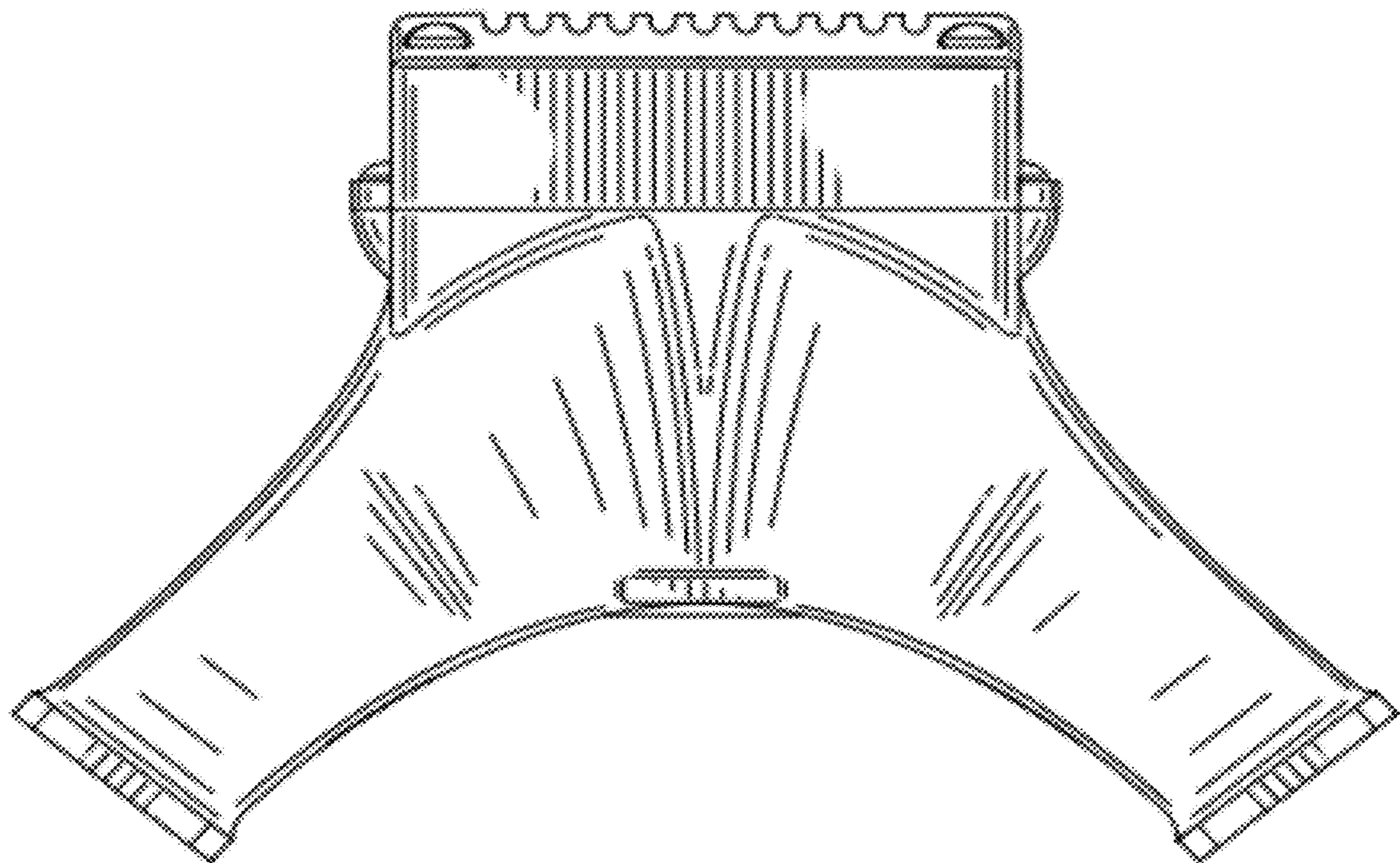


FIG. 4

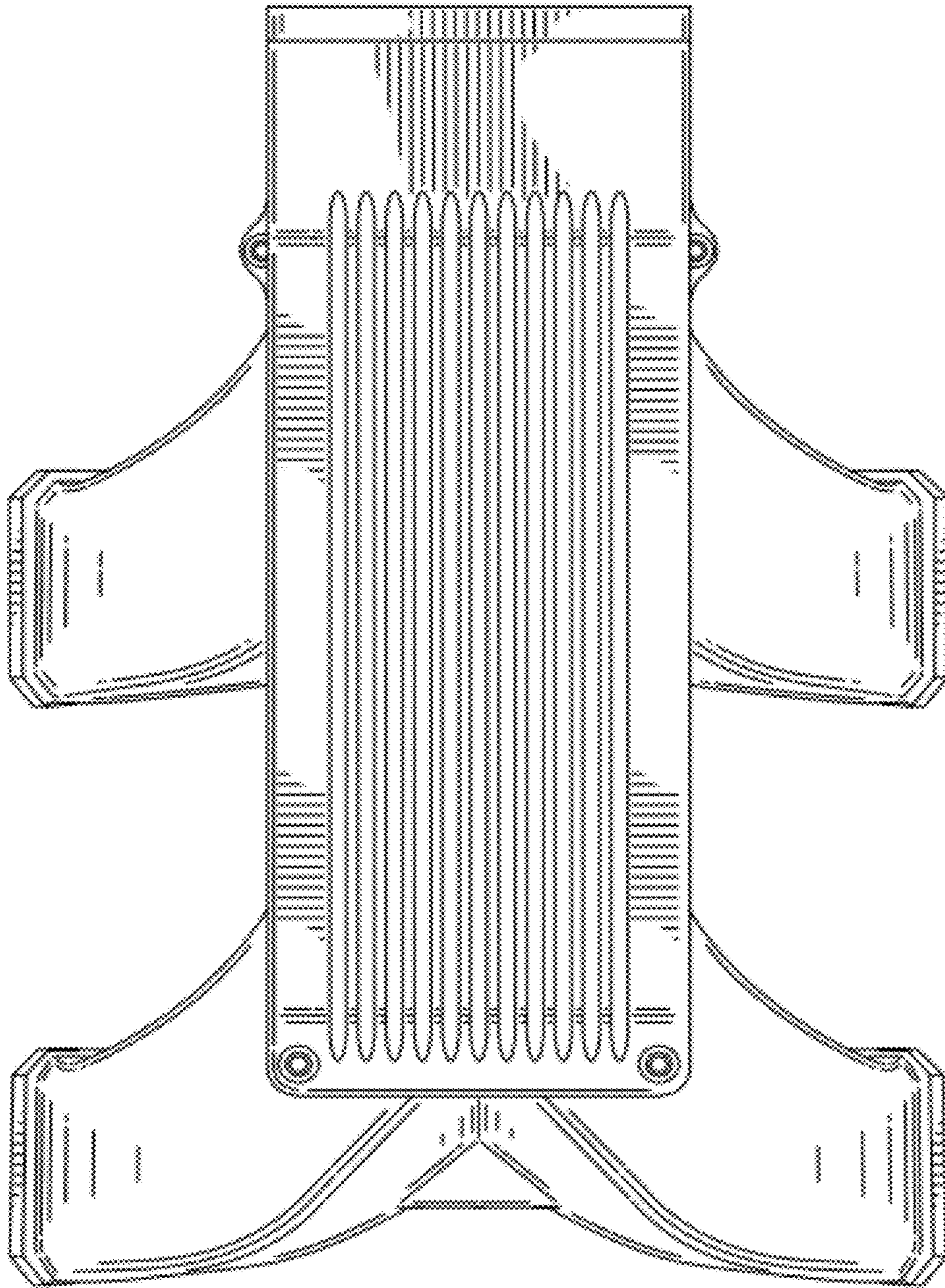


FIG. 5

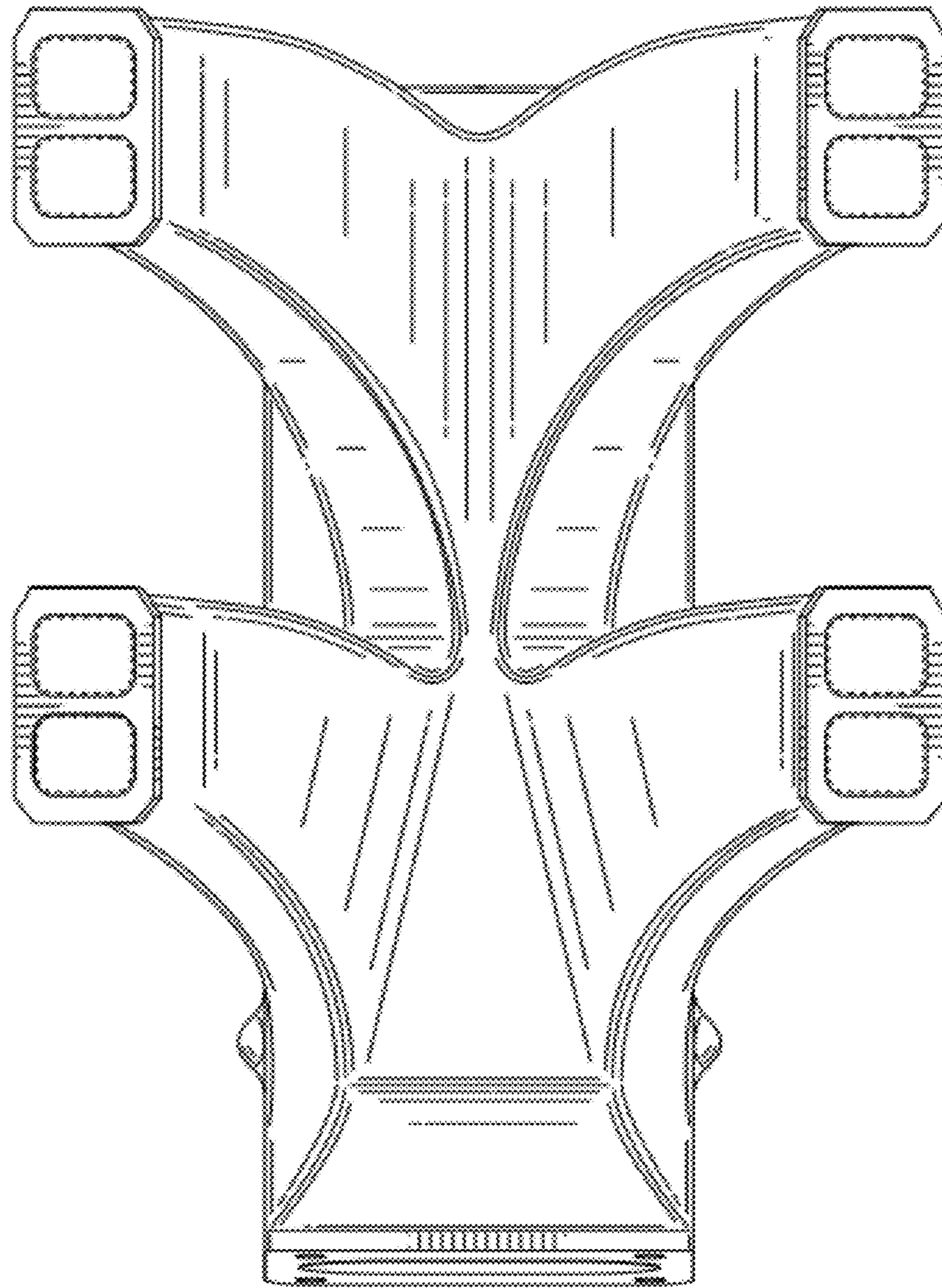


FIG. 6

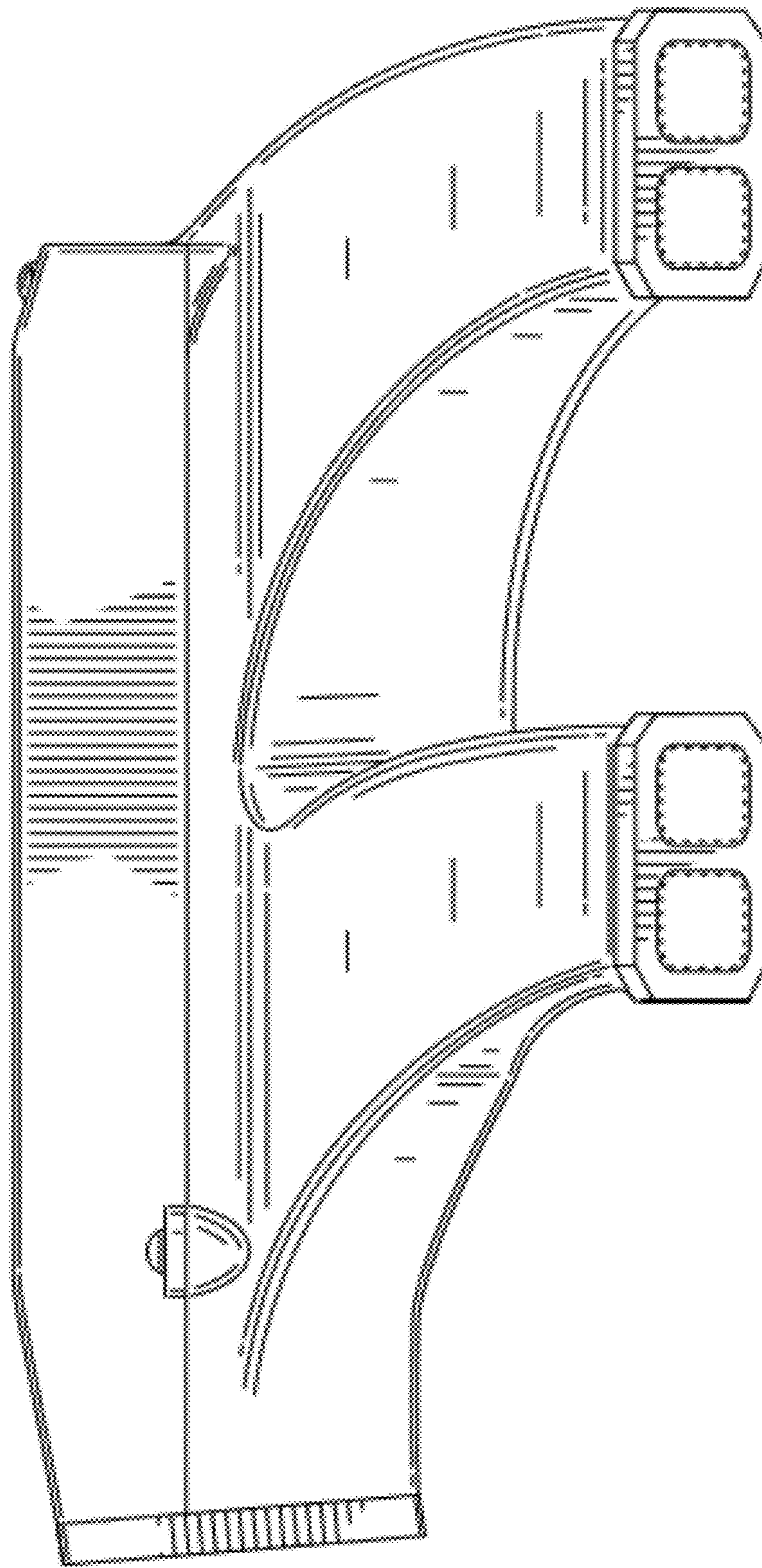


FIG. 7

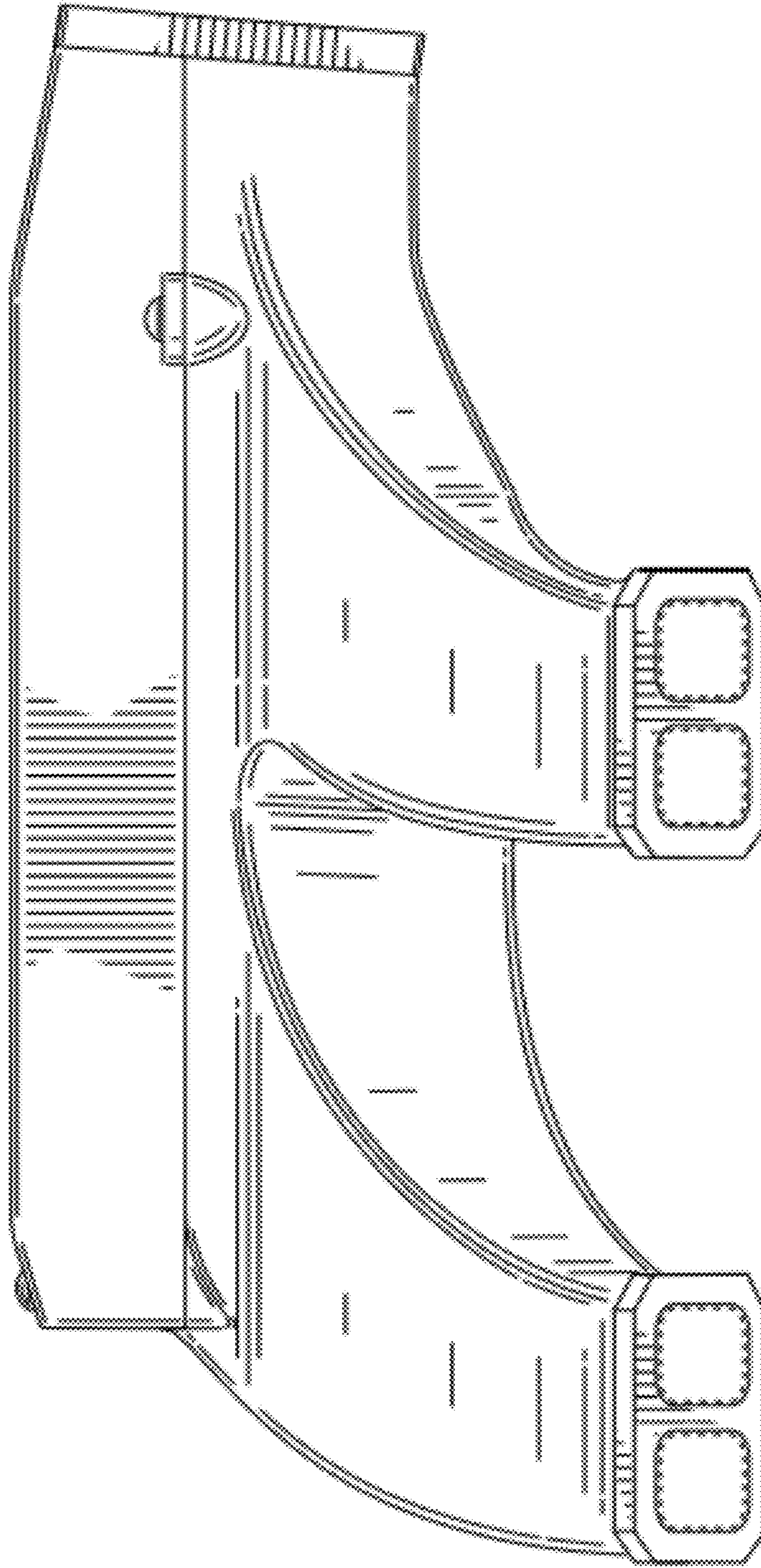


FIG. 8