

US00D677695S

(12) **United States Design Patent**  
**Park et al.**

(10) **Patent No.:** **US D677,695 S**  
(45) **Date of Patent:** **\*\* Mar. 12, 2013**

(54) **DISPLAY SCREEN WITH ICON**

(75) Inventors: **Joon-Hee Park**, Kyeonggi-do (KR);  
**Nayeon Lee**, Kyeonggi-do (KR)

(73) Assignee: **KT Corporation**, Kyeonggi-do (KR)

(\*\*) Term: **14 Years**

(21) Appl. No.: **29/408,512**

(22) Filed: **Dec. 13, 2011**

(51) **LOC (9) Cl.** ..... **14-04**

(52) **U.S. Cl.** ..... **D14/494**

(58) **Field of Classification Search** ..... D14/494-495;  
D20/24-25, 30-32; 715/706

See application file for complete search history.

(56) **References Cited**

**U.S. PATENT DOCUMENTS**

5,682,469	A *	10/1997	Linnett et al. ....	345/473
D519,122	S *	4/2006	MacKenzie et al. ....	D14/495
D536,346	S *	2/2007	Gusmorino et al. ....	D14/495
D542,302	S *	5/2007	Muranaka et al. ....	D14/495
D563,993	S *	3/2008	Melander et al. ....	D14/495
D613,757	S *	4/2010	Barcheck et al. ....	D14/495
D613,758	S *	4/2010	Barcheck et al. ....	D14/495
D613,759	S *	4/2010	Barcheck et al. ....	D14/495
D659,710	S *	5/2012	Hirt .....	D14/494
2002/0130894	A1 *	9/2002	Young et al. ....	345/706

**OTHER PUBLICATIONS**

Iconfactory : Freeware : Aibo X, [online] Released Nov. 5, 2001 [retrieved on Apr. 4, 2007]. Retrieved from the Internet <URL: http://iconfactory.com/freeware/preview/aibo>.\*

Gort's Icons vol. 1, [online], [retrieved on Jan. 24, 2007]. Retrieved from the Internet <URL: http://www.iconarchive.com/icon/art/gorts-icons-vol1-by-gort/index.html>.\*

Iconshock Diamond Mail catalog, cover [online], [retrieved on Apr. 4, 2007]. Retrieved from the Internet <URL: http://www.iconshock.com>.\*

\* cited by examiner

*Primary Examiner* — Karen E Kearney

(74) *Attorney, Agent, or Firm* — IP & T Group LLP

(57) **CLAIM**

The ornamental design for a display screen with icon, as shown and described.

**DESCRIPTION**

FIG. 1 is a front view of a display screen with icon showing the new design; and,

FIG. 2 is an enlarged view of the icon of FIG. 1.

The broken line showing of the display screen in FIG. 1 is for environmental purposes only and forms no part of the claimed design.

**1 Claim, 1 Drawing Sheet**

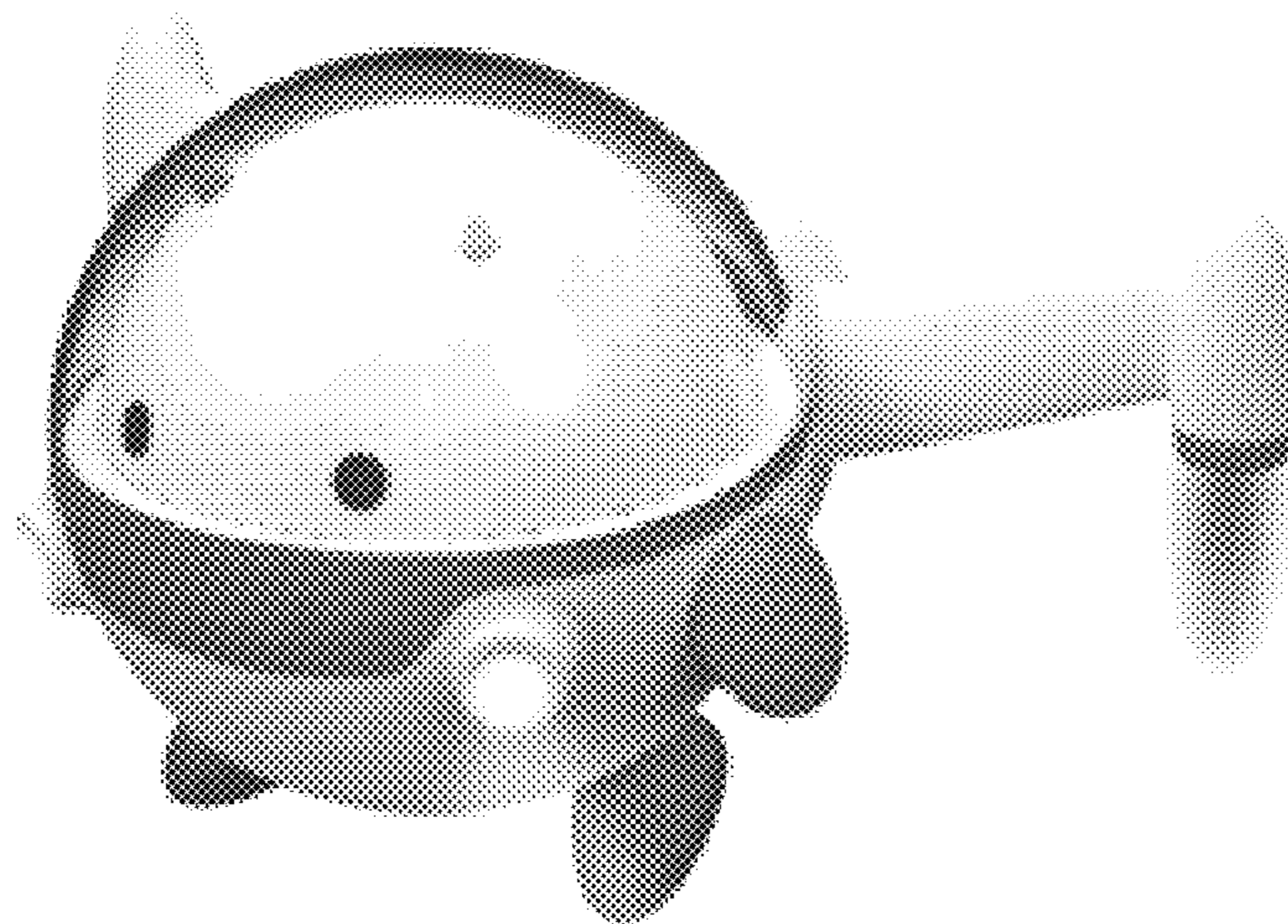


FIG. 1

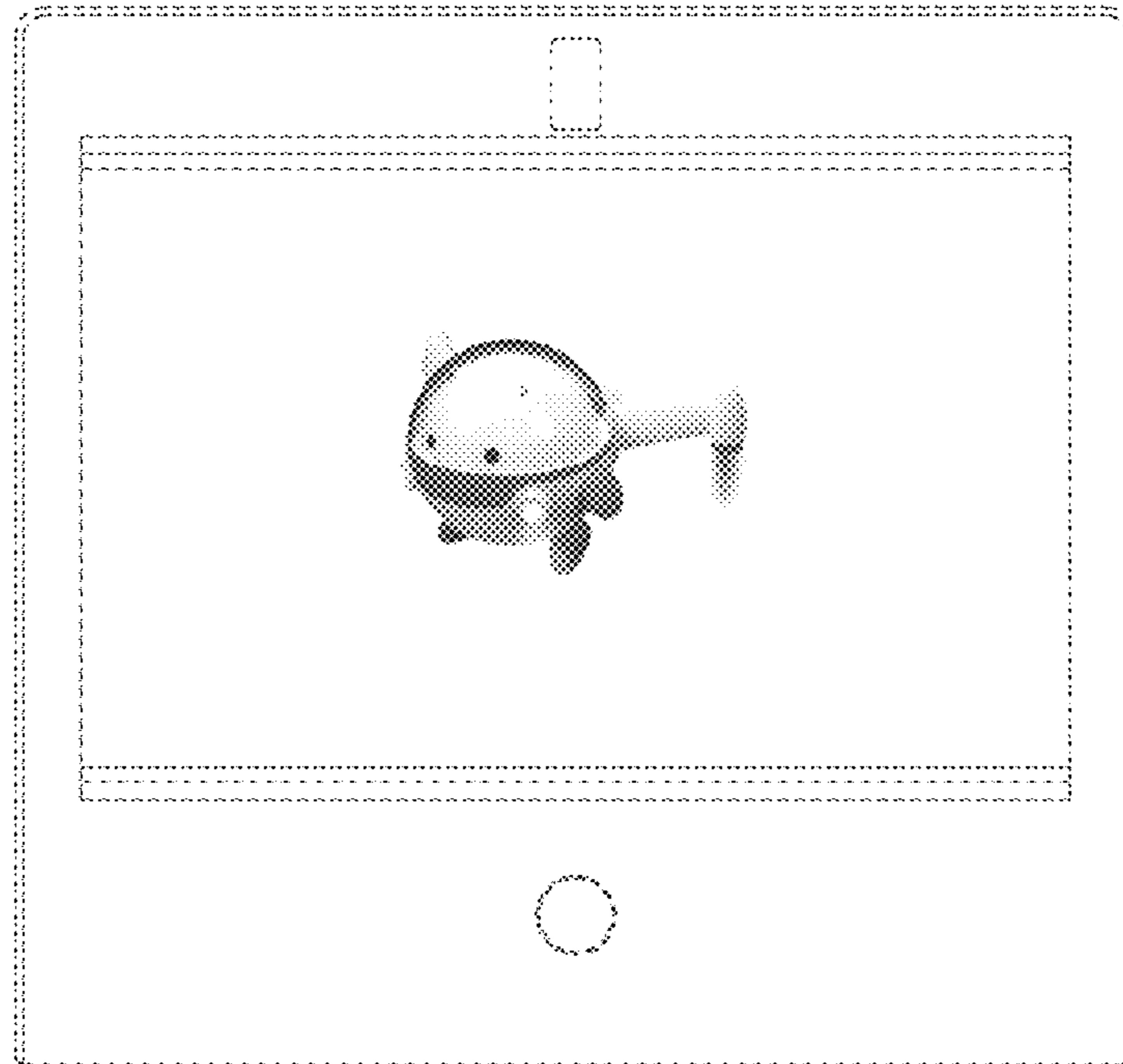


FIG. 2

