



US00D677678S

(12) **United States Design Patent**  
**Esterly**

(10) **Patent No.:** **US D677,678 S**

(45) **Date of Patent:** **\*\* Mar. 12, 2013**

(54) **DISPLAY SCREEN WITH ANIMATED GRAPHICAL USER INTERFACE**

(75) Inventor: **Jonathan Esterly**, Kirkland, WA (US)

(73) Assignee: **Microsoft Corporation**, Redmond, WA (US)

(\*\*) Term: **14 Years**

(21) Appl. No.: **29/412,355**

(22) Filed: **Feb. 2, 2012**

(51) **LOC (9) Cl.** ..... **14-04**

(52) **U.S. Cl.** ..... **D14/485**

(58) **Field of Classification Search** ..... D14/485-495;  
715/202, 212, 246, 715, 716, 718, 719, 723,  
715/726, 730, 731, 732, 764, 768, 779, 780,  
715/782, 792, 793, 808, 809, 810, 811, 812,  
715/813, 821, 822, 823, 825, 828, 830, 833,  
715/835, 838, 840, 841, 845, 848, 859, 860,  
715/861, 864, 963, 974, 977

See application file for complete search history.

(56) **References Cited**

U.S. PATENT DOCUMENTS

D594,022	S	*	6/2009	King	.....	D14/488
D611,485	S	*	3/2010	Marashi	.....	D14/485
7,843,466	B2	*	11/2010	Hanechak	.....	345/619
D643,438	S	*	8/2011	Gardner et al.	.....	D14/486
D651,608	S	*	1/2012	Allen et al.	.....	D14/485
D654,504	S	*	2/2012	Pearson et al.	.....	D14/486
D658,676	S	*	5/2012	Gleasant et al.	.....	D14/488

D664,552	S	*	7/2012	Gleasant et al.	.....	D14/486
D664,553	S	*	7/2012	Gleasant et al.	.....	D14/486
D664,561	S	*	7/2012	Gleasant et al.	.....	D14/488
2010/0125786	A1	*	5/2010	Ozawa et al.	.....	715/702

\* cited by examiner

*Primary Examiner* — Angela J Lee

(74) *Attorney, Agent, or Firm* — Banner & Witcoff, Ltd.

(57) **CLAIM**

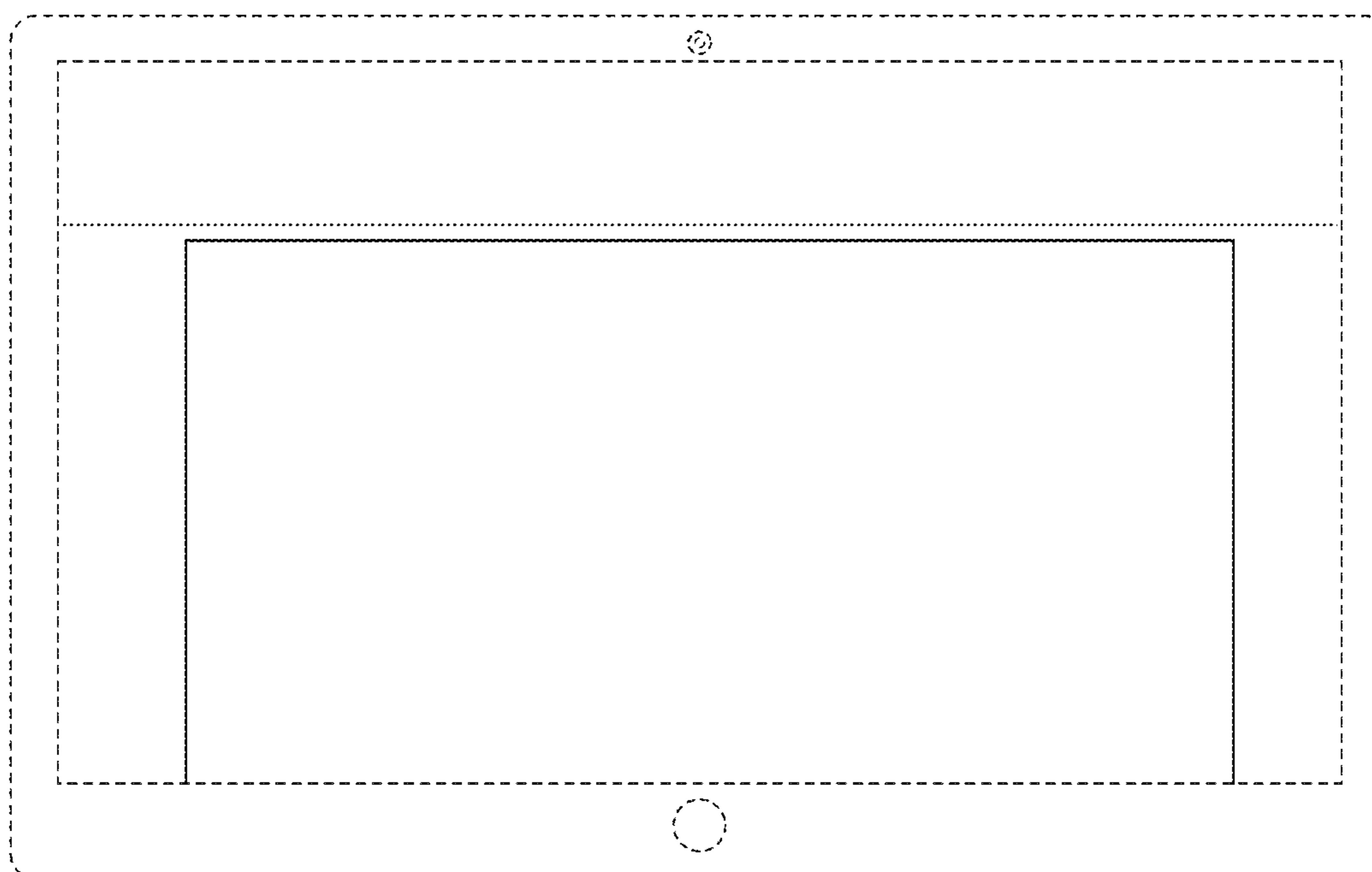
The ornamental design for a display screen with animated graphical user interface, as shown and described.

**DESCRIPTION**

FIG. 1 is the first image in a sequence for a display screen with animated graphical user interface showing our new design; FIG. 2 is the second image thereof; FIG. 3 is the third image thereof; FIG. 4 is the fourth image thereof; FIG. 5 is the fifth image thereof; FIG. 6 is the sixth image thereof; FIG. 7 is the seventh image thereof; FIG. 8 is the eighth image thereof; and, FIG. 9 is the ninth image thereof.

The appearance of the animated user interface sequentially transitions between the images shown in FIGS. 1-9. The process or period in which one image transitions to another forms no part of the claimed design. The broken line showing of the remainder of the display screen is for environmental purposes only and forms no part of the claimed design.

**1 Claim, 9 Drawing Sheets**



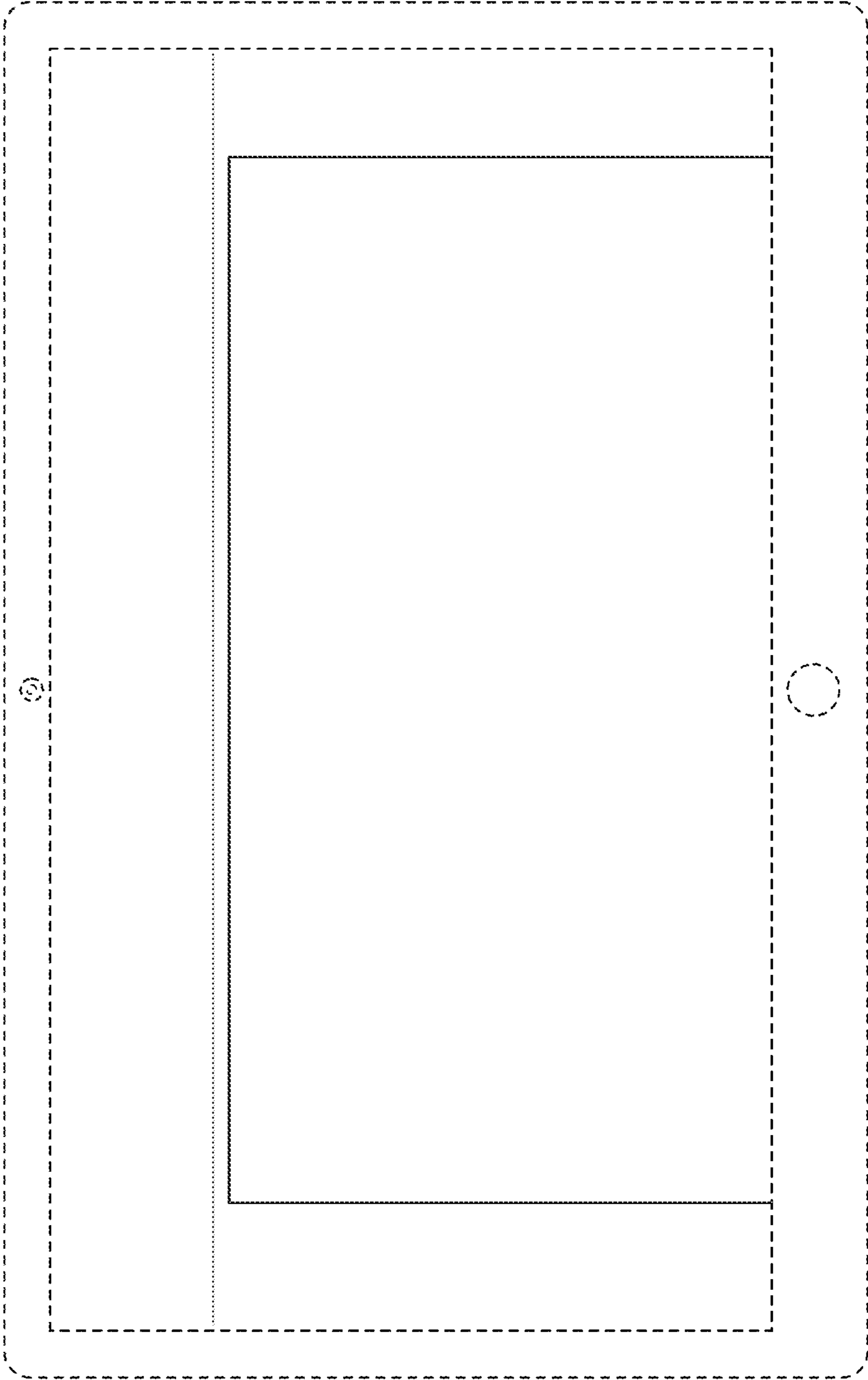


FIG. 1

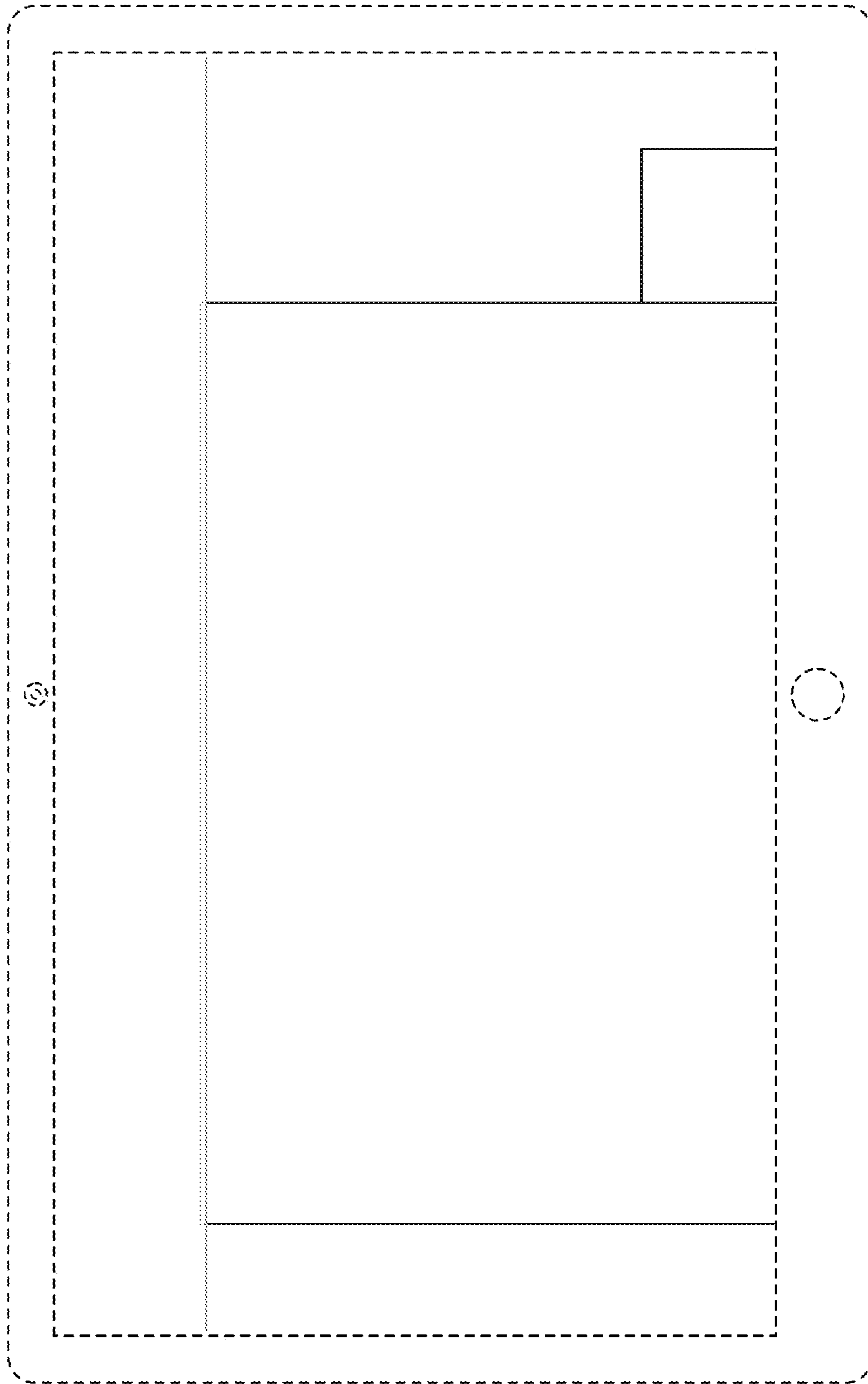


FIG. 2

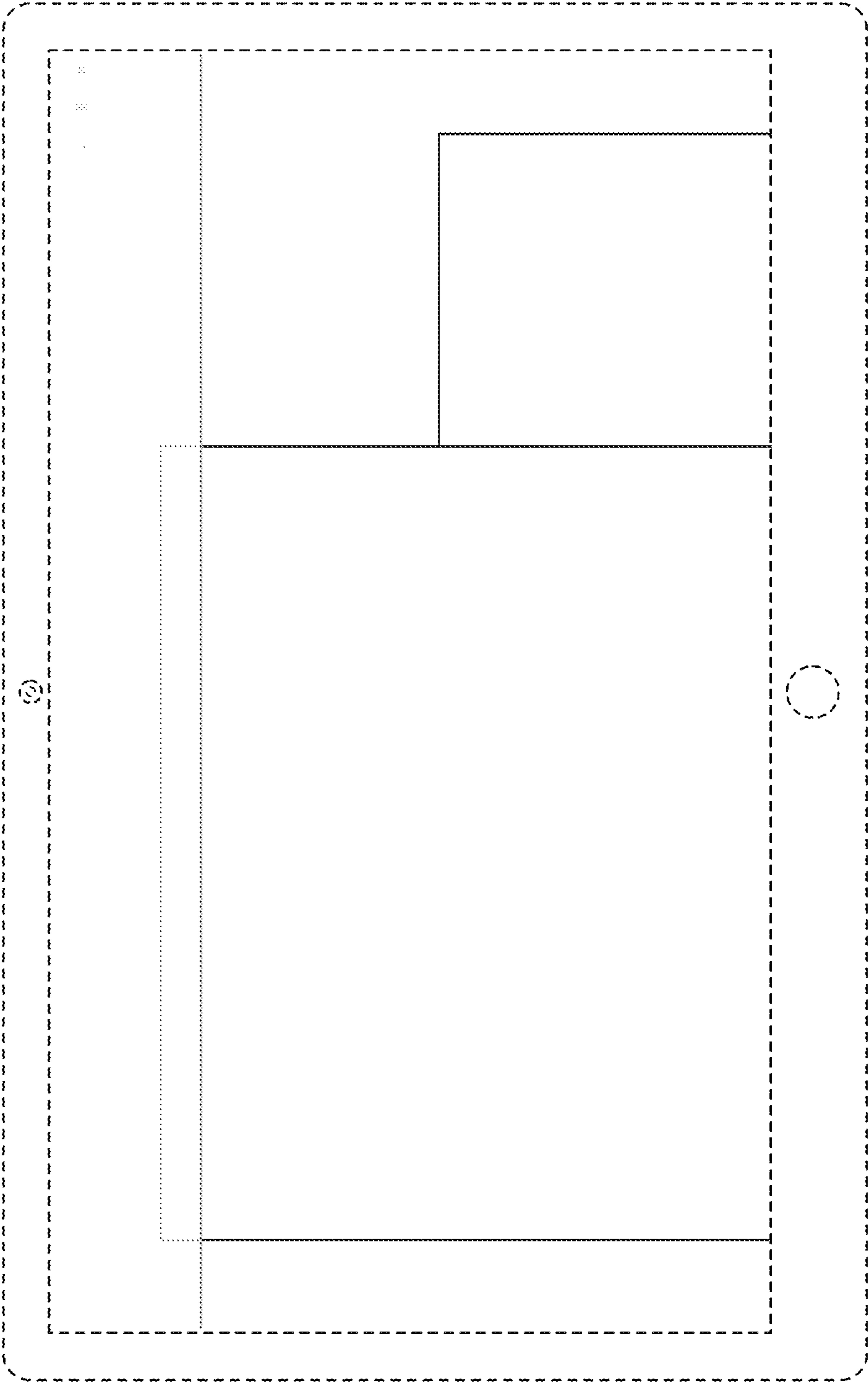


FIG. 3

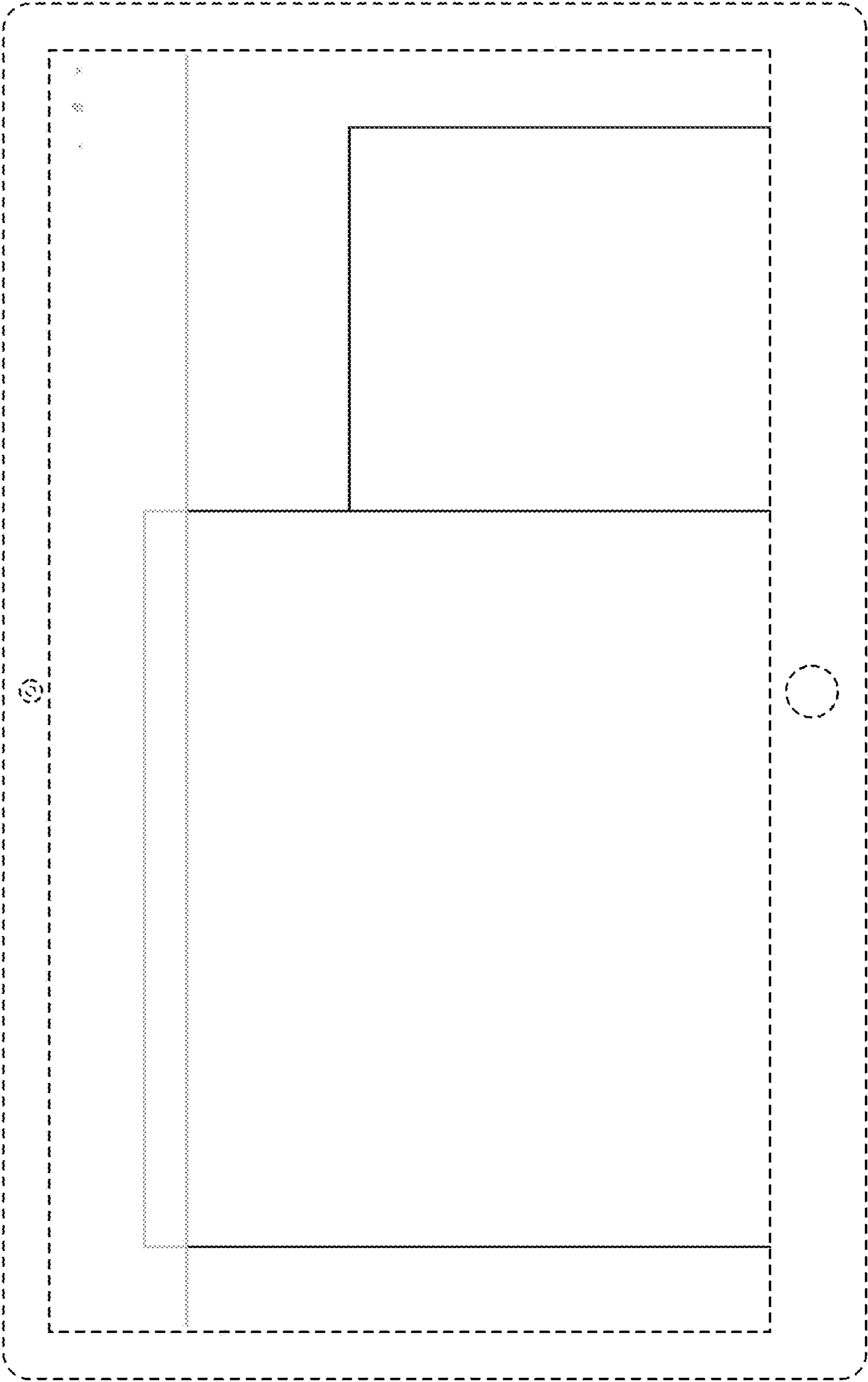


FIG. 4

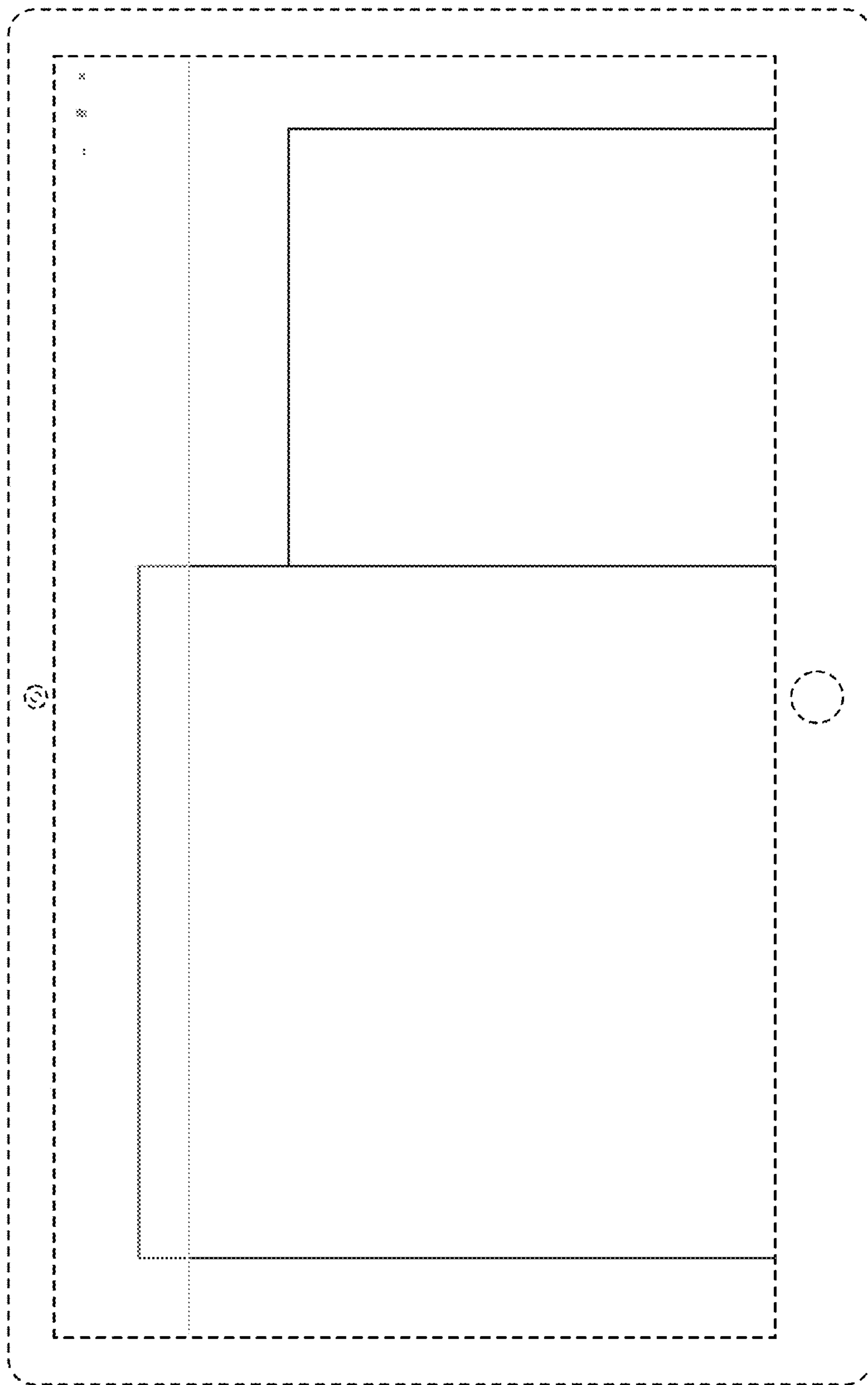


FIG. 5

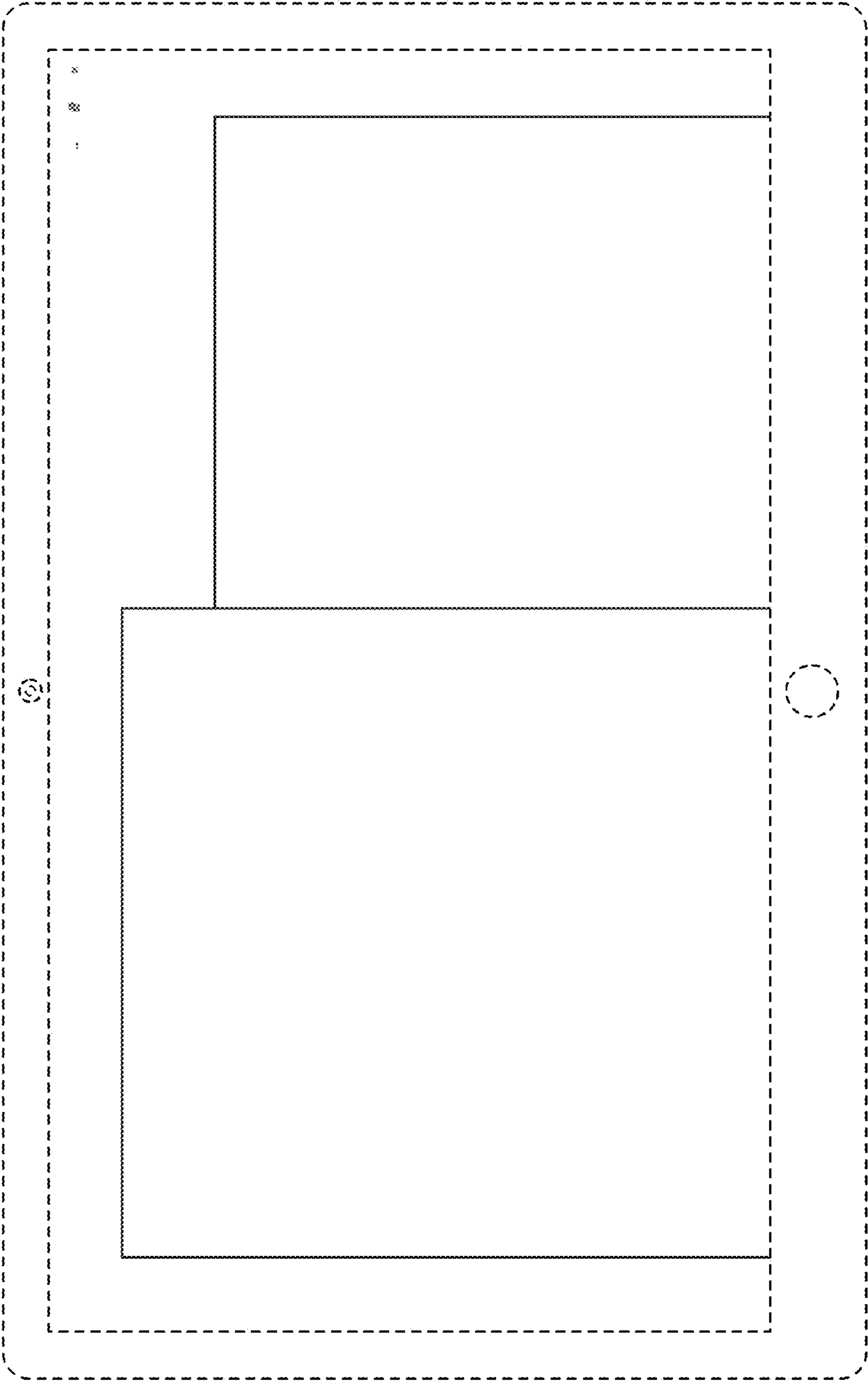


FIG. 6

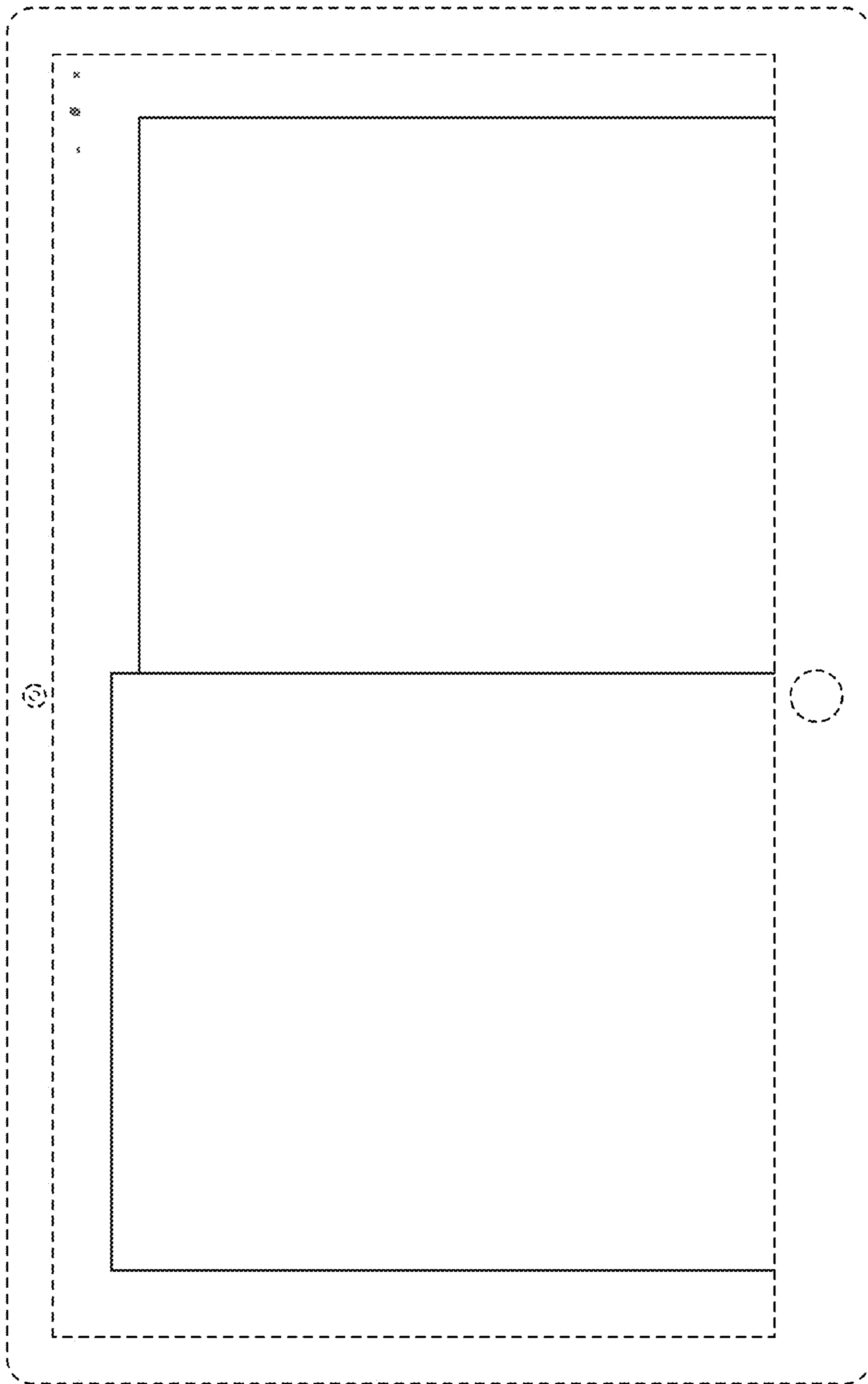


FIG. 7



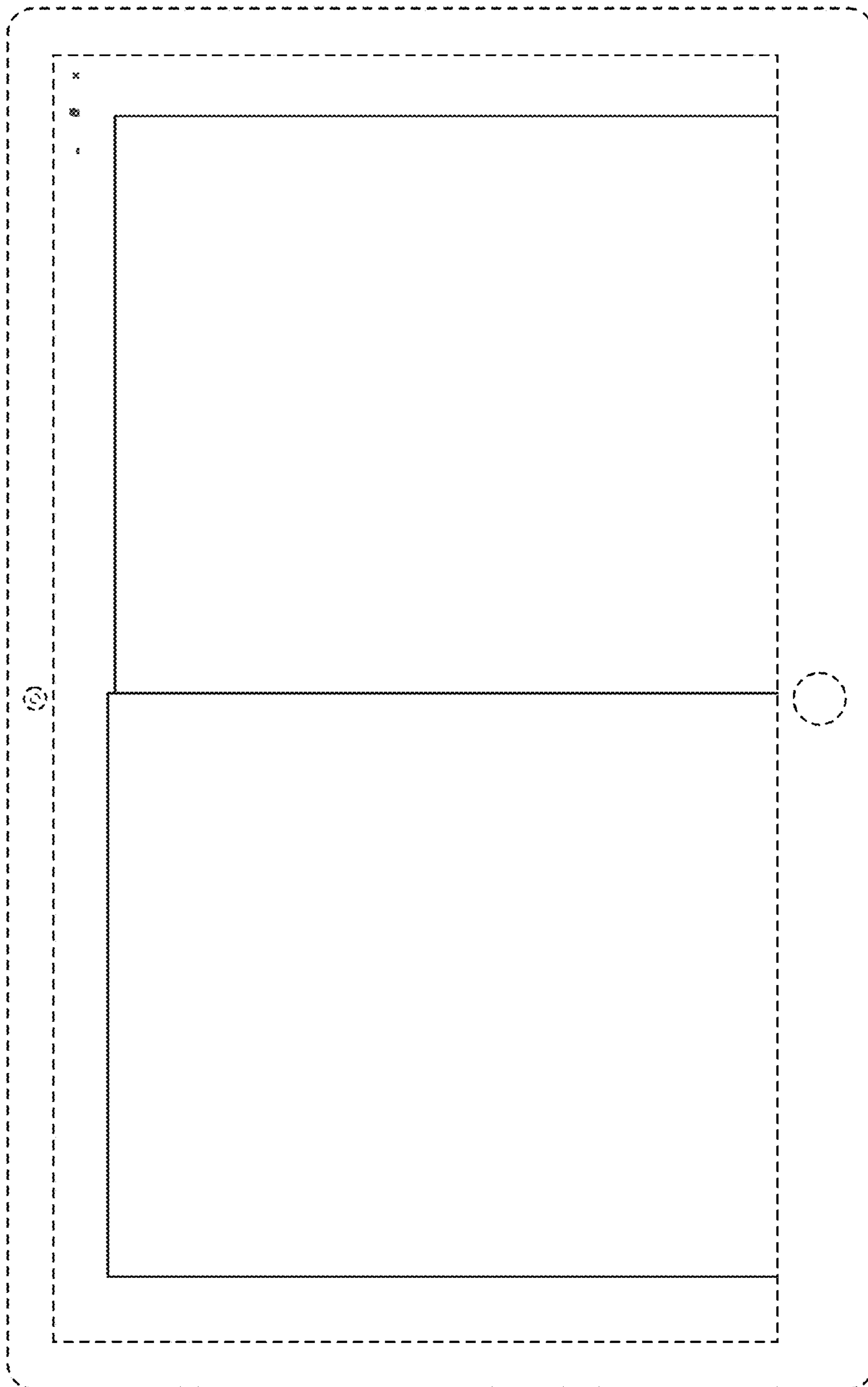


FIG. 8

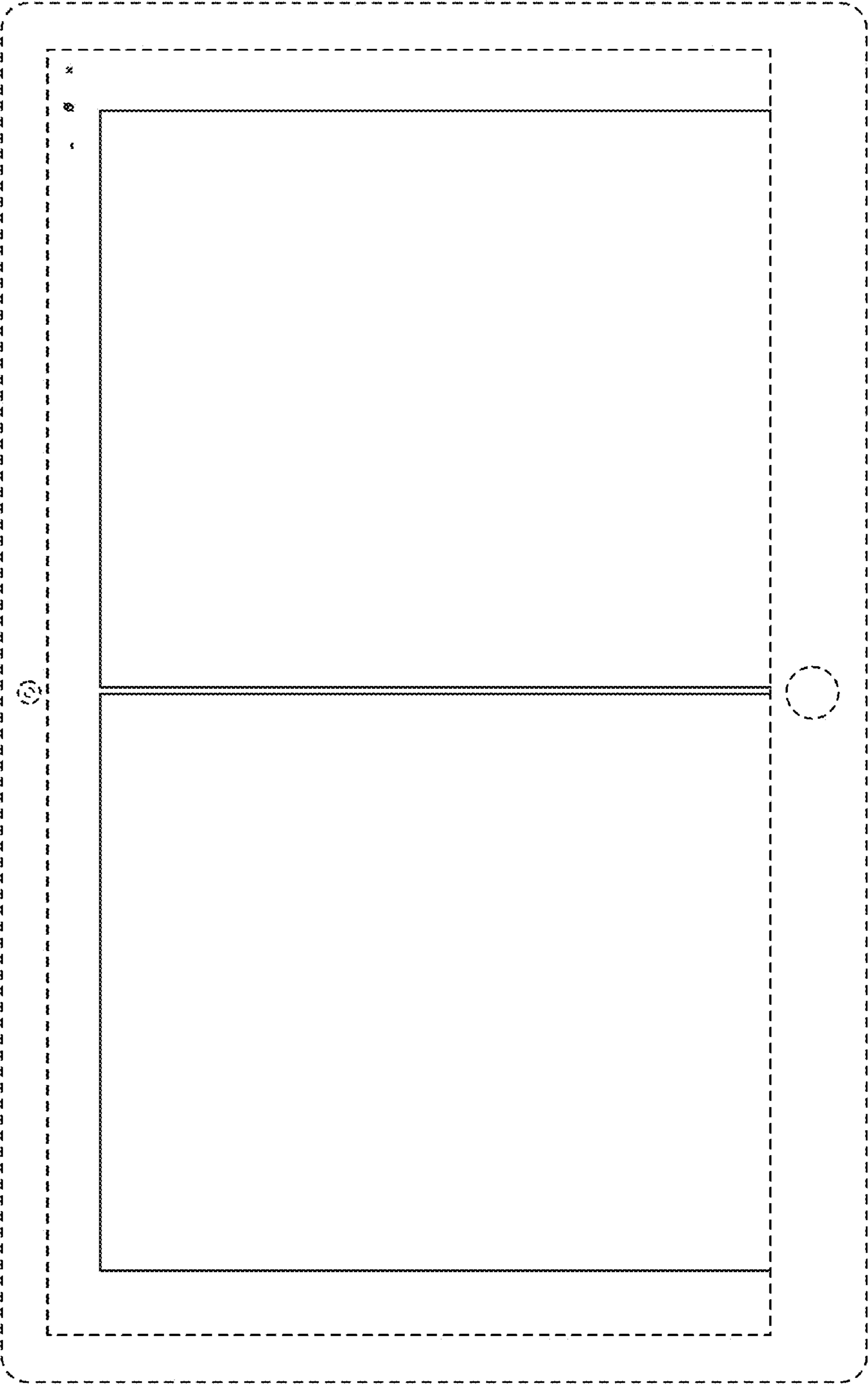


FIG. 9