



US00D677671S

(12) **United States Design Patent**
Mochizuki et al.

(10) **Patent No.:** **US D677,671 S**
(45) **Date of Patent:** **** Mar. 12, 2013**

(54) **DISPLAY**

(75) Inventors: **Yoshihito Mochizuki**, Tokyo (JP);
Chin-Jen Lin, Taipei (TW)

(73) Assignee: **NEC Display Solutions, Ltd.**, Tokyo (JP)

(**) Term: **14 Years**

(21) Appl. No.: **29/416,202**

(22) Filed: **Mar. 20, 2012**

(30) **Foreign Application Priority Data**

Sep. 22, 2011 (JP) 2011-021745

(51) **LOC (9) Cl.** **08-07**

(52) **U.S. Cl.** **D14/451; D14/239**

(58) **Field of Classification Search** D14/451,
D14/452, 439, 239, 432, 448, 457, 251, 253,
D14/224, 224.1, 12, 6, 127, 371, 373, 374,
D14/375; D8/363, 373, 380; 248/917, 918,
248/919, 920, 921, 922, 923, 924, 441.1,
248/460, 122.1, 125.7, 371, 176.1, 176.3,
248/222.52, 276.1, 324; 361/679.06, 679.04,
361/679.21, 679.22, 679.56

See application file for complete search history.

(56) **References Cited**

U.S. PATENT DOCUMENTS

6,994,303 B2 * 2/2006 Lin et al. 248/122.1
7,193,843 B2 * 3/2007 Hsu 361/679.21
D549,232 S * 8/2007 Li et al. D14/447
D582,364 S * 12/2008 Lewis D14/126
D624,062 S * 9/2010 Kasuga et al. D14/239

D624,063 S * 9/2010 Kasuga et al. D14/239
D638,022 S * 5/2011 Kasuga et al. D14/451
7,963,488 B2 * 6/2011 Hasegawa et al. 248/183.2
8,172,186 B2 * 5/2012 Tsai et al. 248/121
8,201,782 B2 * 6/2012 Fan 248/125.8
2004/0113031 A1 * 6/2004 Sung 248/146
2007/0195495 A1 * 8/2007 Kim et al. 361/681
2007/0279850 A1 * 12/2007 Chiang et al. 361/681

* cited by examiner

Primary Examiner — Cynthia Ramirez

(74) *Attorney, Agent, or Firm* — Sughrue Mion, PLLC

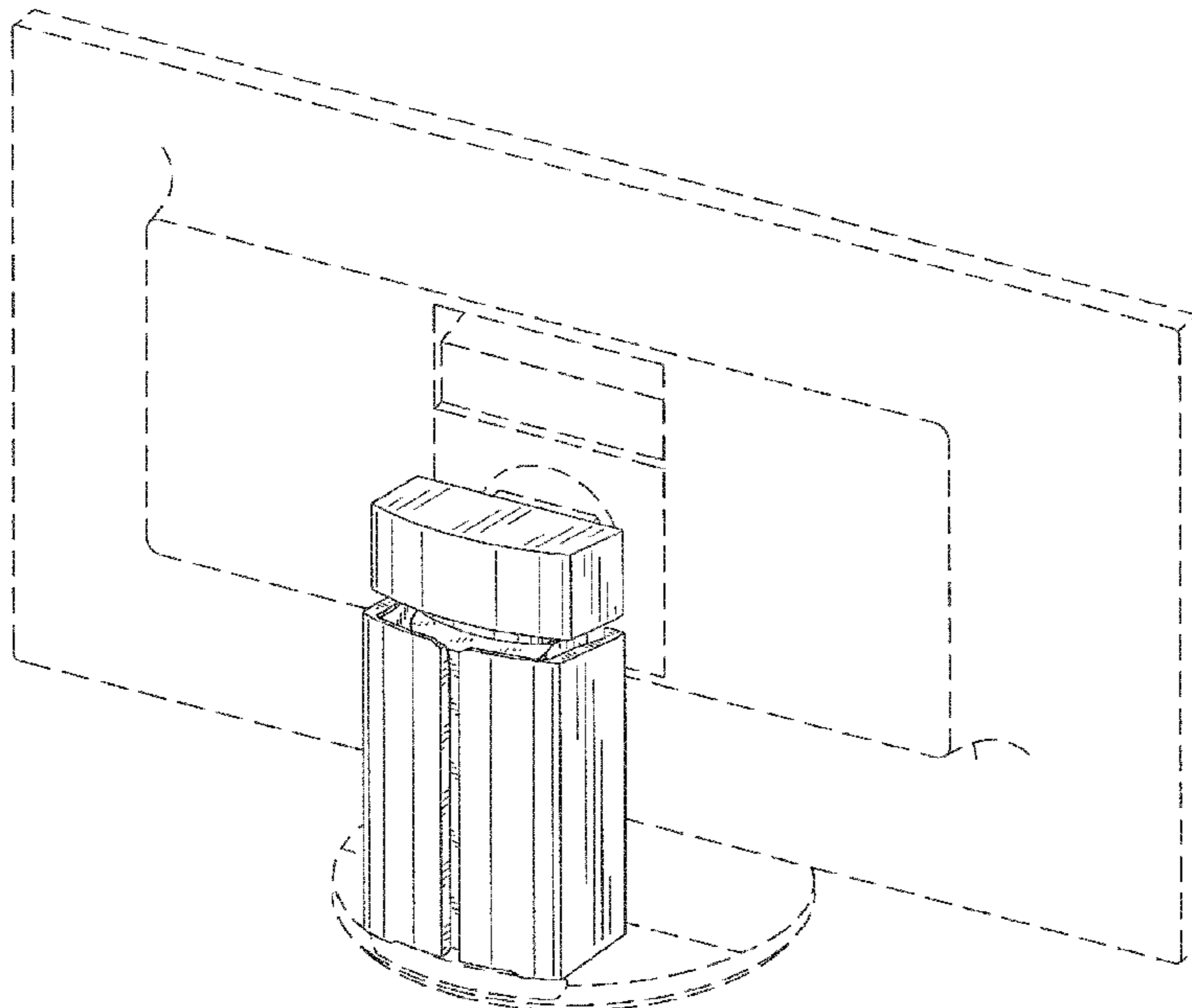
(57) **CLAIM**

The ornamental design for a display, as shown and described.

DESCRIPTION

FIG. 1 is a front, right side, top perspective view of a display showing our new design;
FIG. 2 is a front elevational view thereof;
FIG. 3 is a rear elevational view thereof;
FIG. 4 is a left side elevational view thereof;
FIG. 5 is a right side elevational view thereof;
FIG. 6 is a top plan elevational view thereof;
FIG. 7 is a bottom plan elevational view thereof;
FIG. 8 is a reference right side elevational view thereof, indicating a cutting area by arrows in broken lines;
FIG. 9 is a cross-sectional view thereof, taken along line 9-9 of FIG. 8; and,
FIG. 10 is a front, right side, top perspective view thereof, showing a state in which a leg part is extended.
The portions in broken line are shown for illustrative purposes only and form no part of the claimed design.

1 Claim, 8 Drawing Sheets



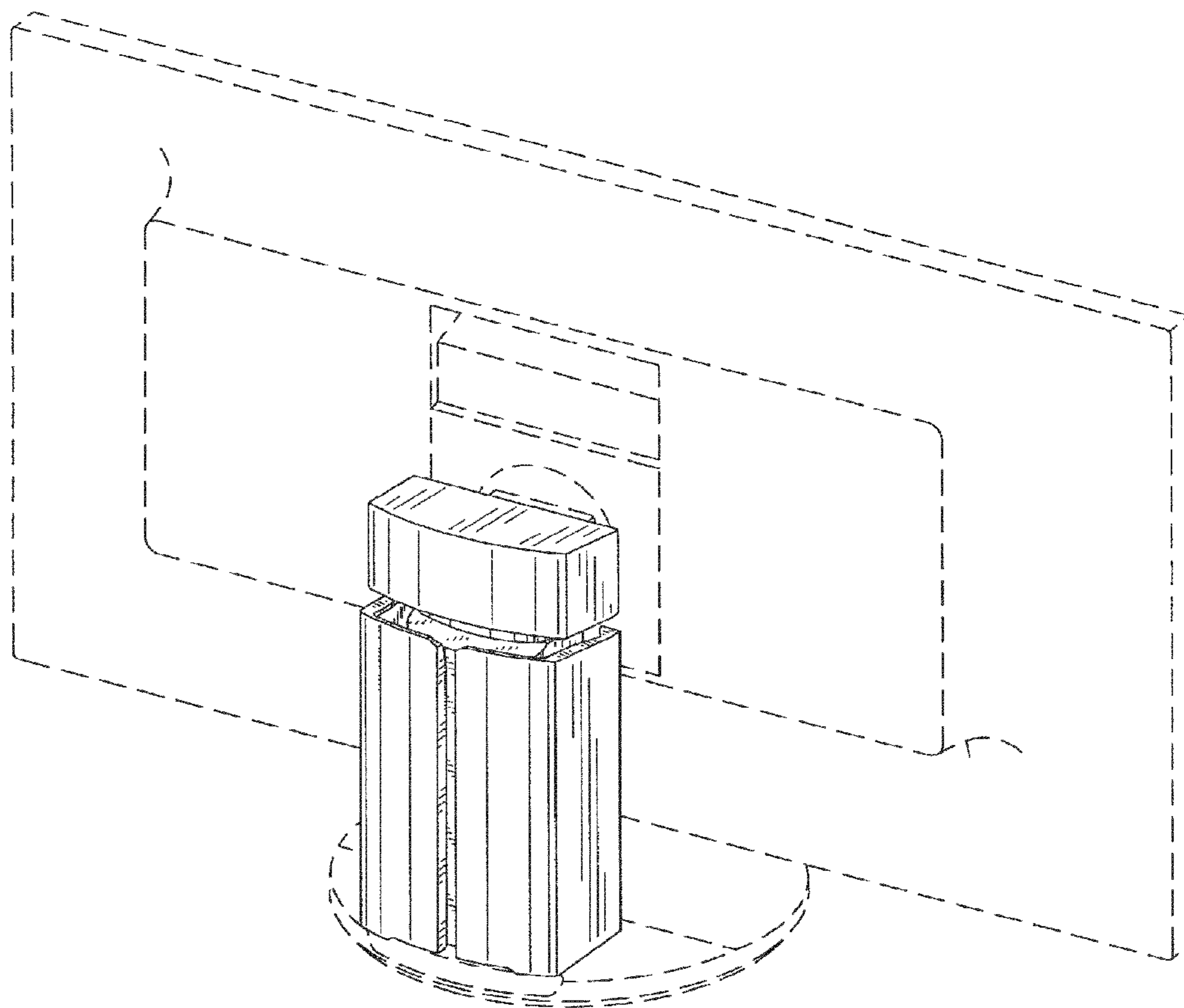


FIG. 1

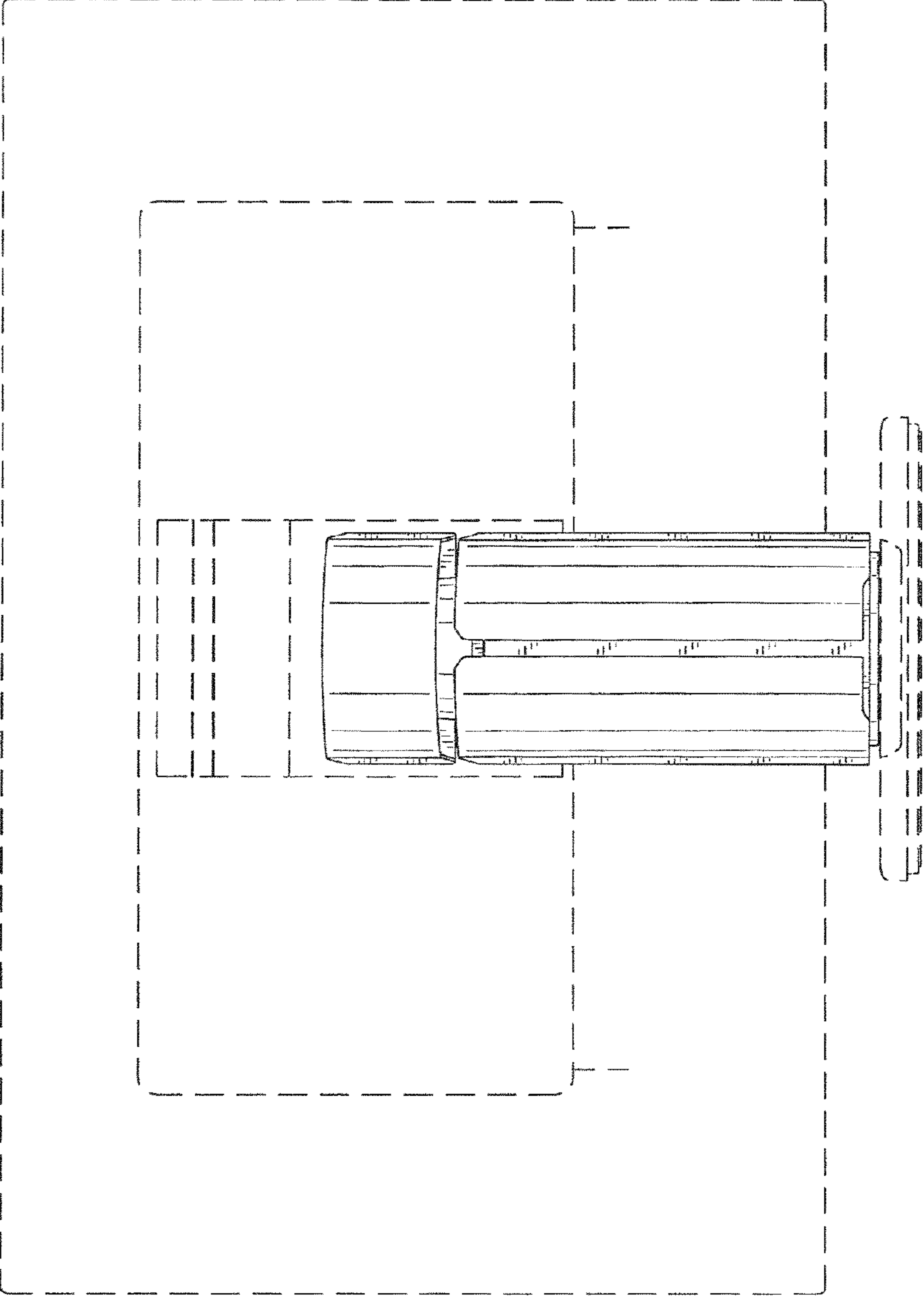


FIG. 2

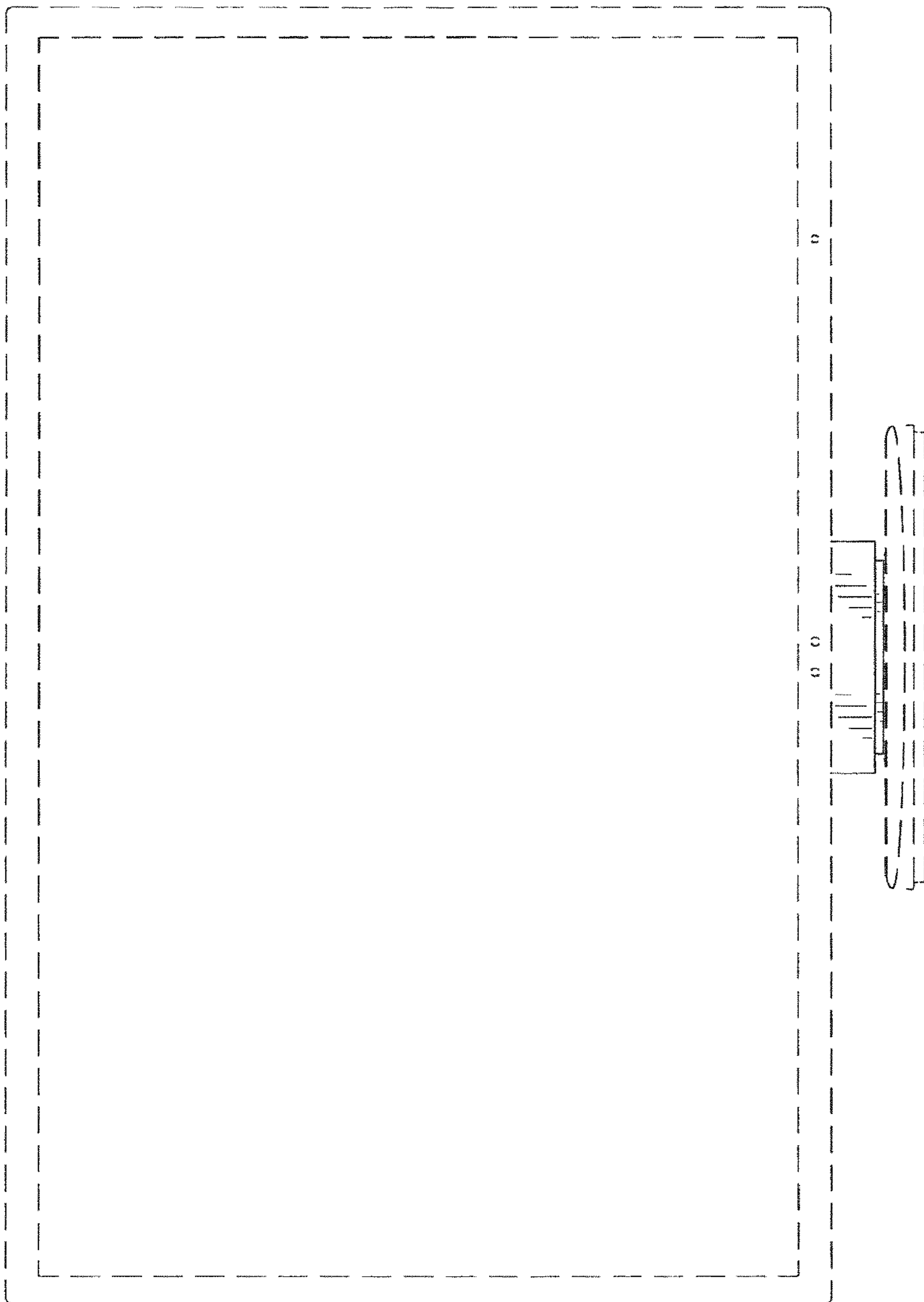


FIG. 3

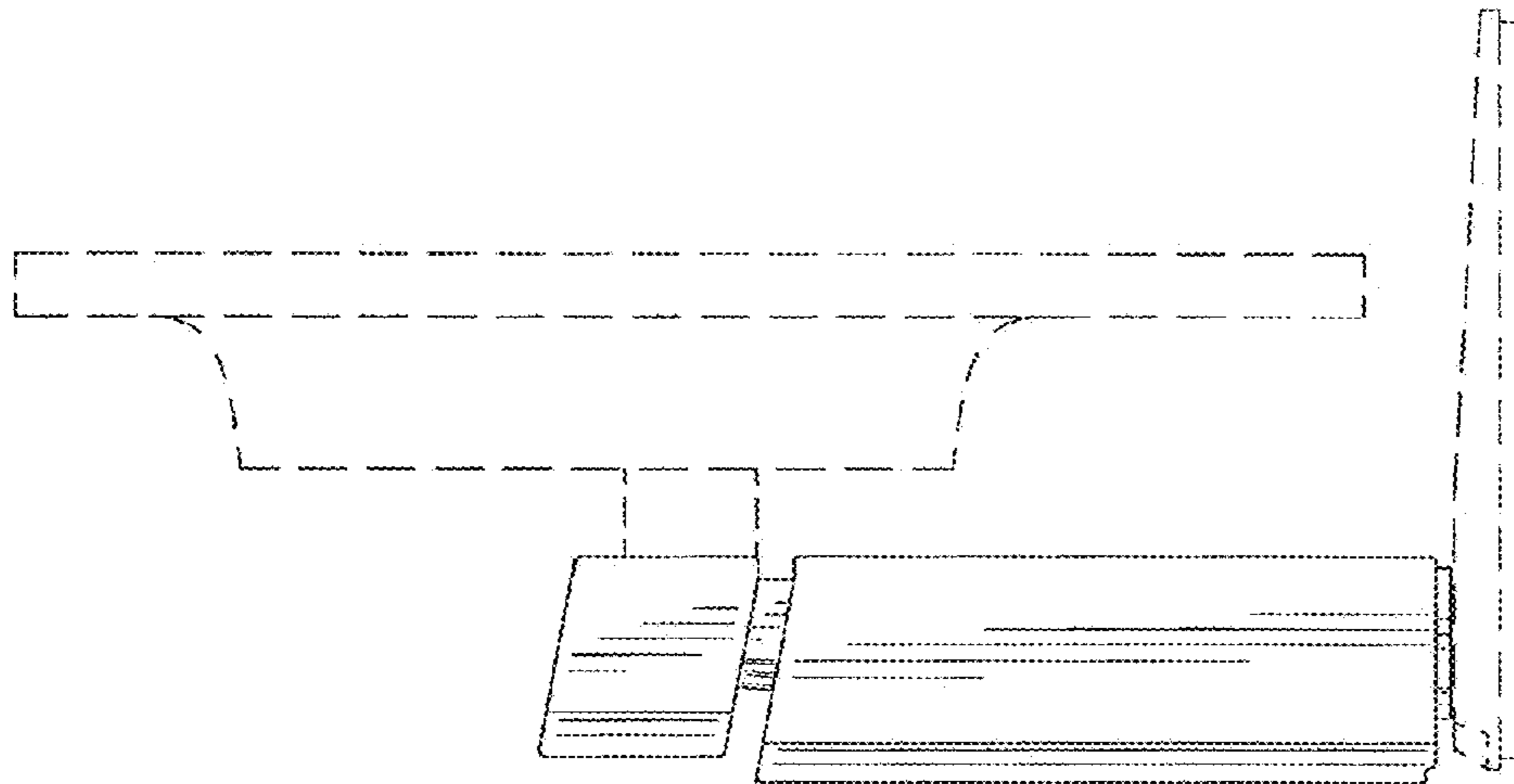


FIG. 5

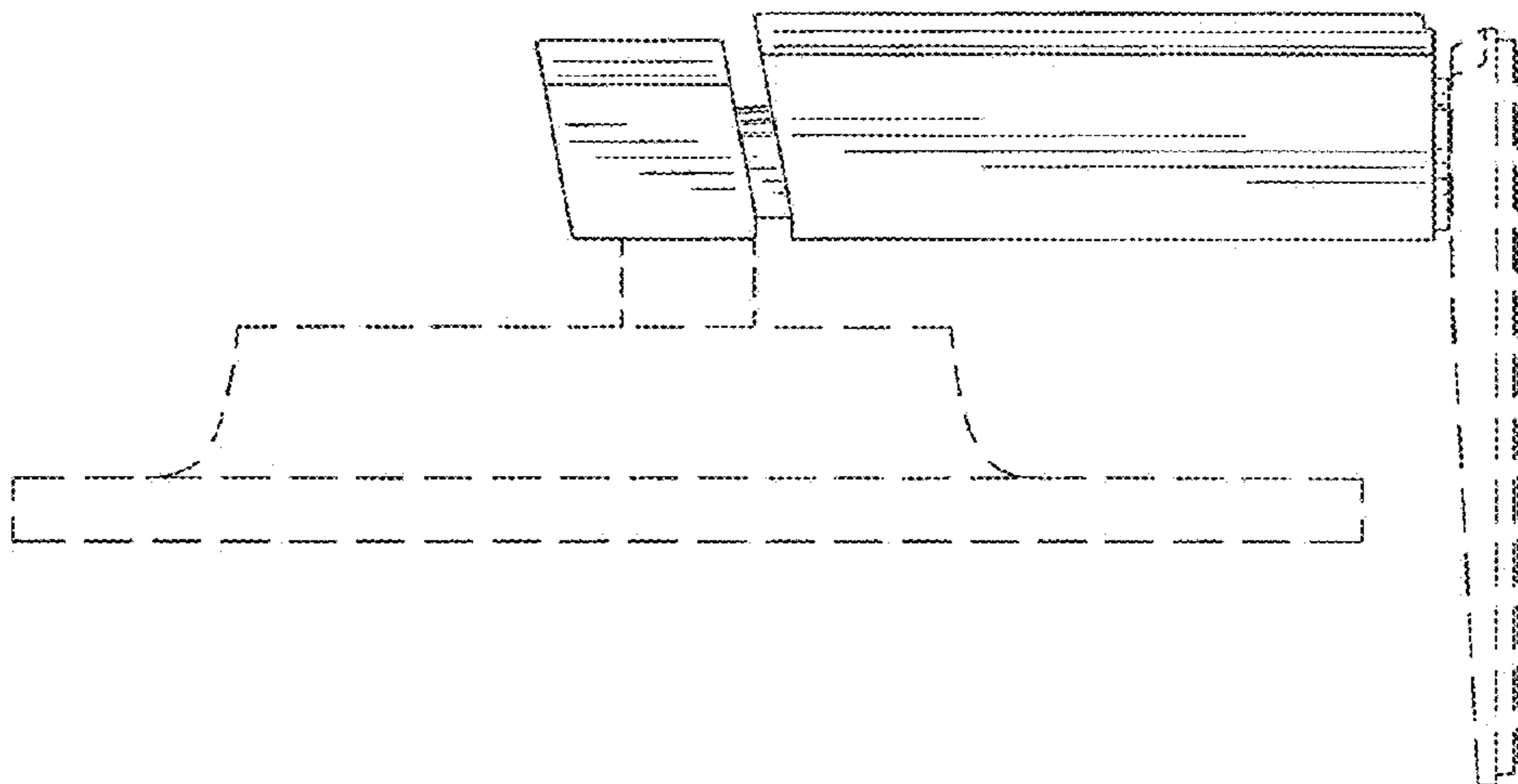


FIG. 4

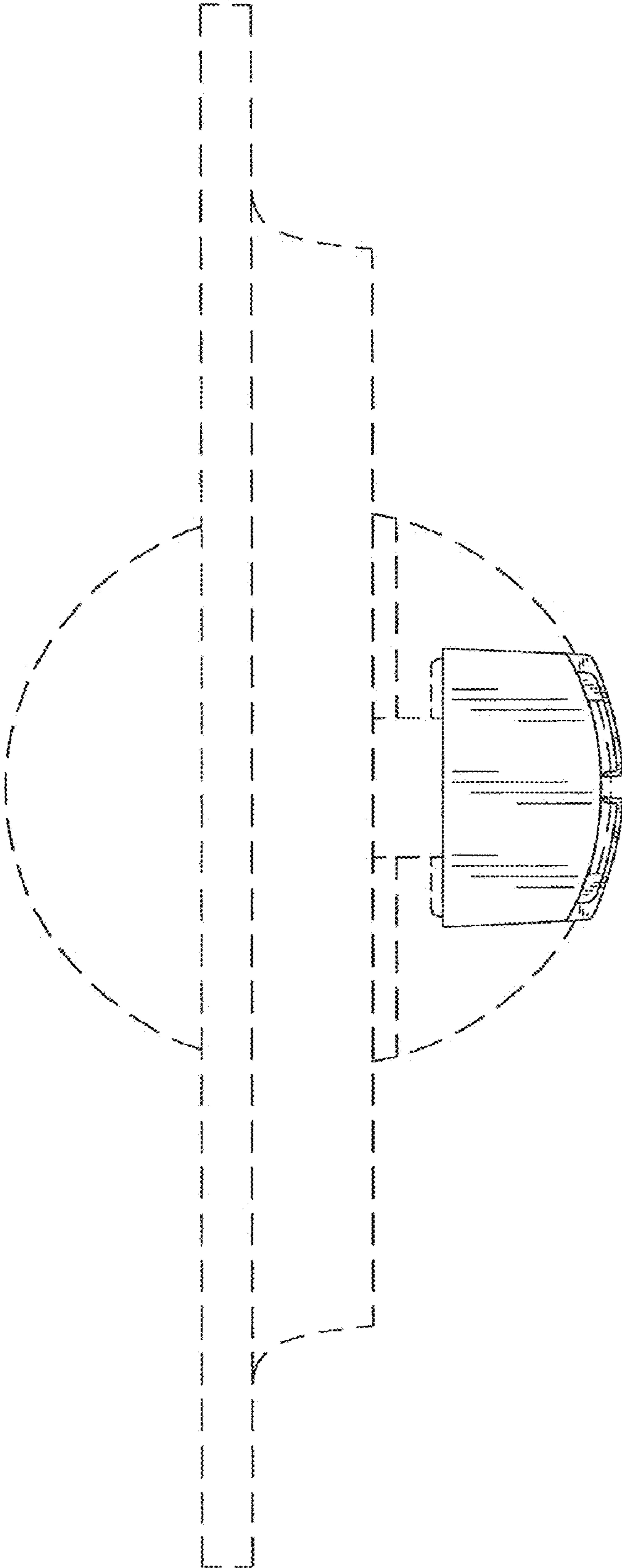


FIG. 6

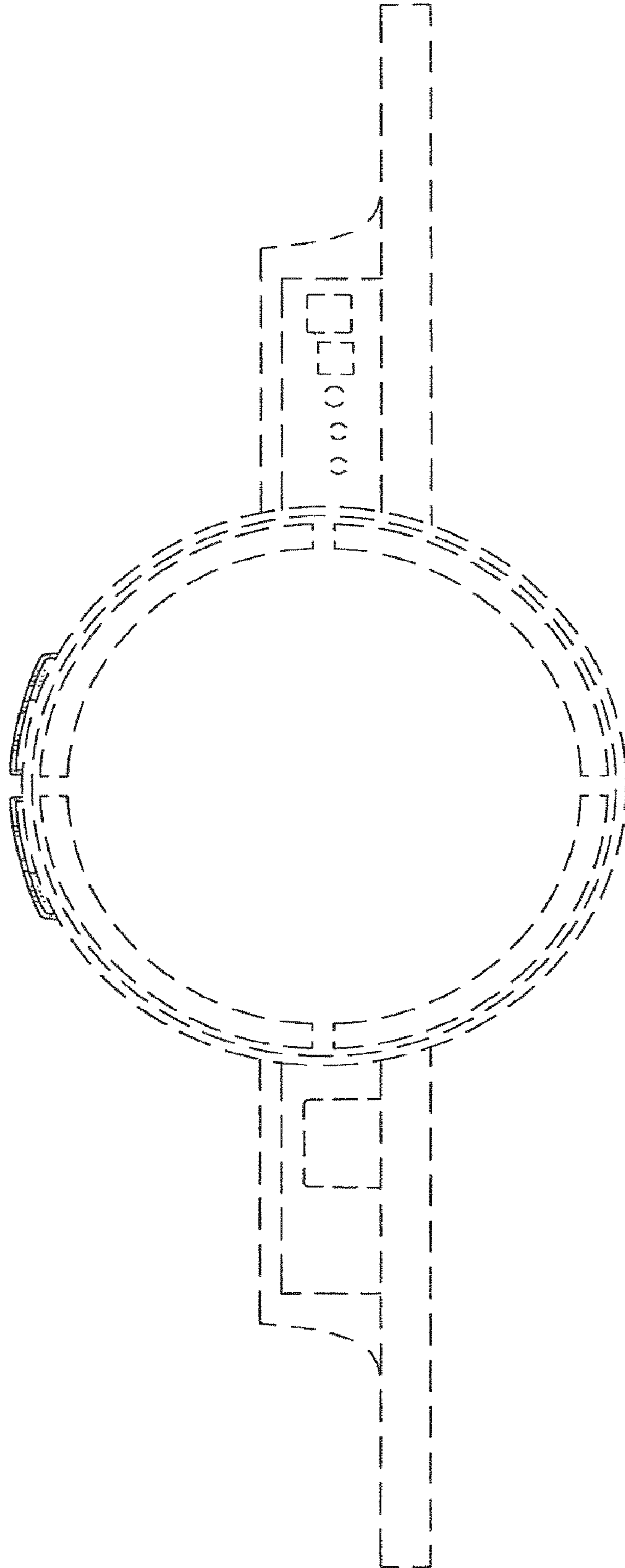


FIG. 7

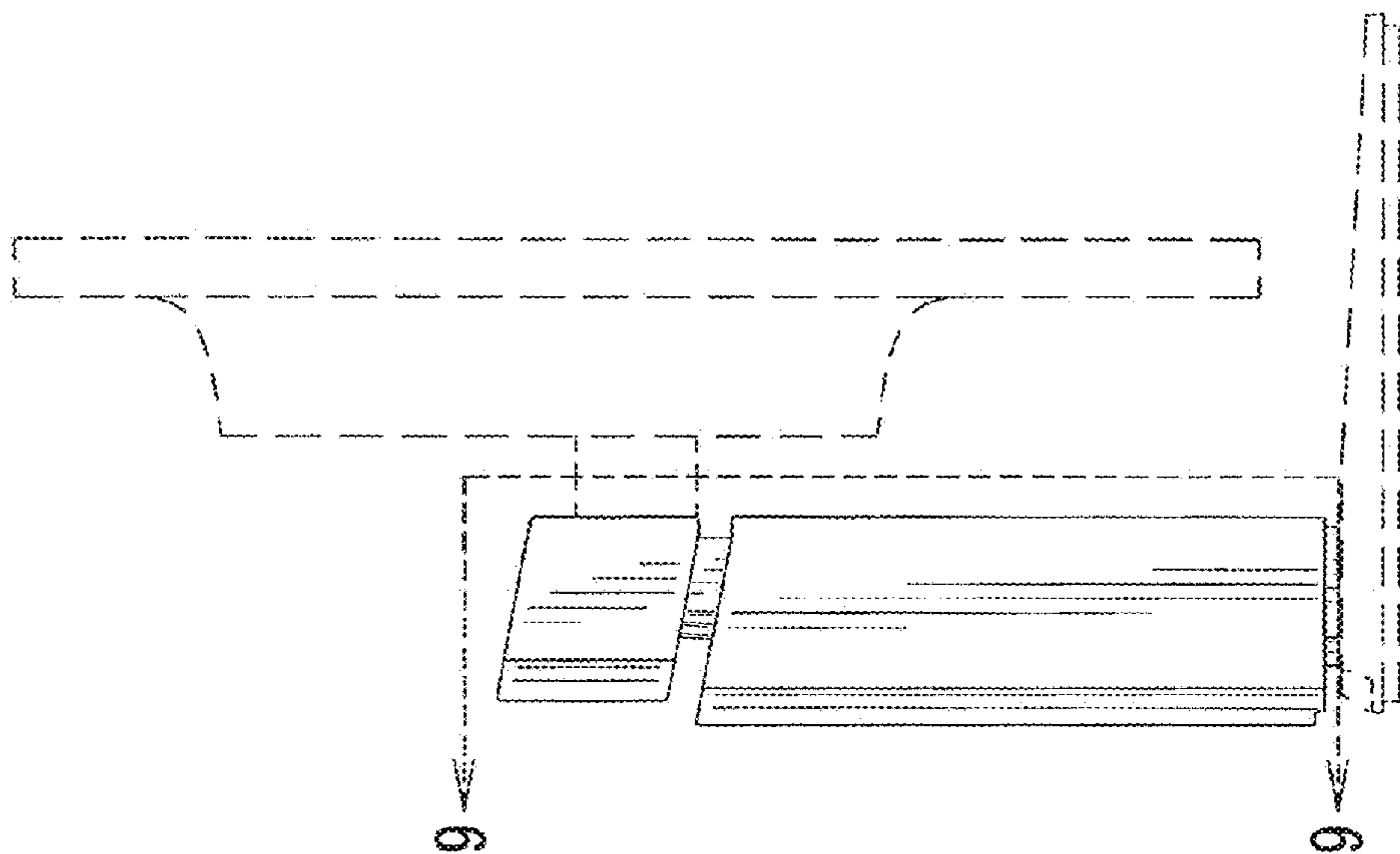


FIG. 9

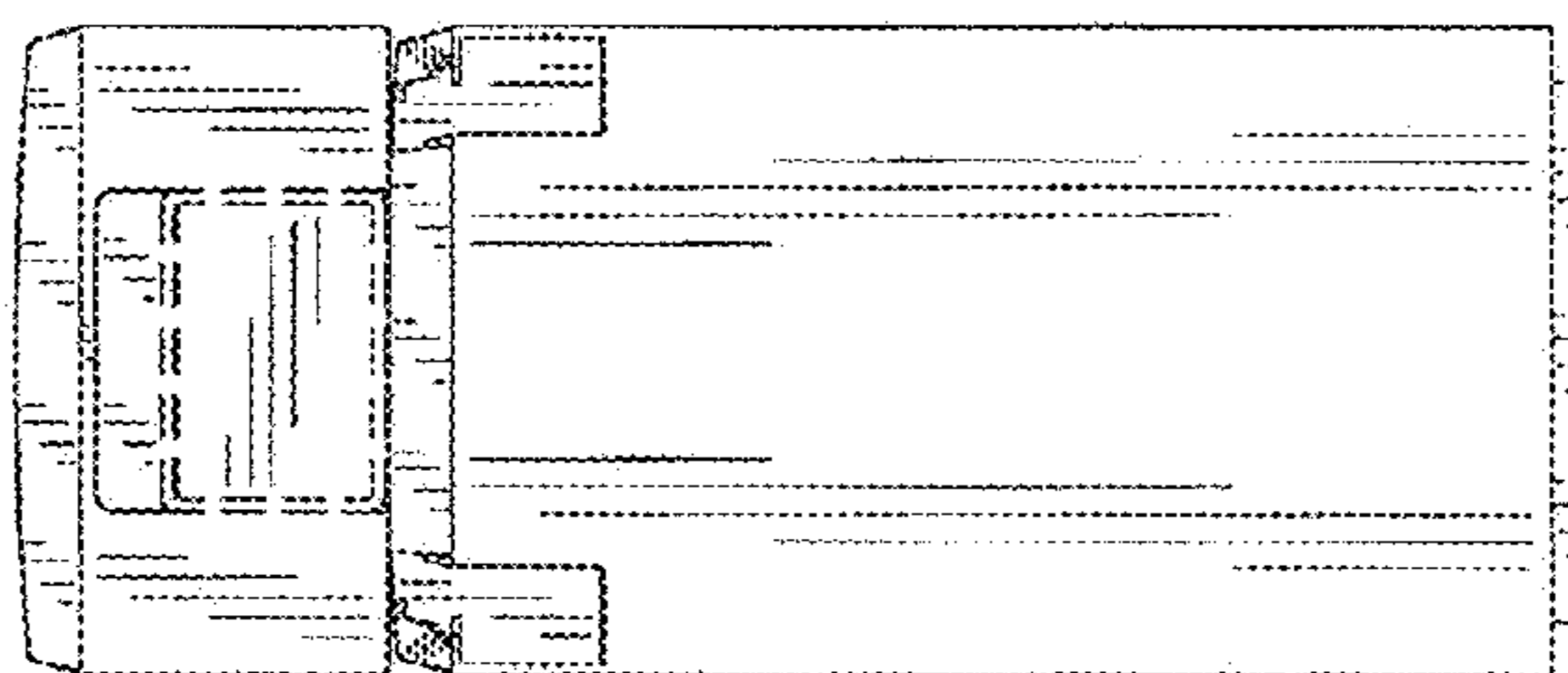


FIG. 8

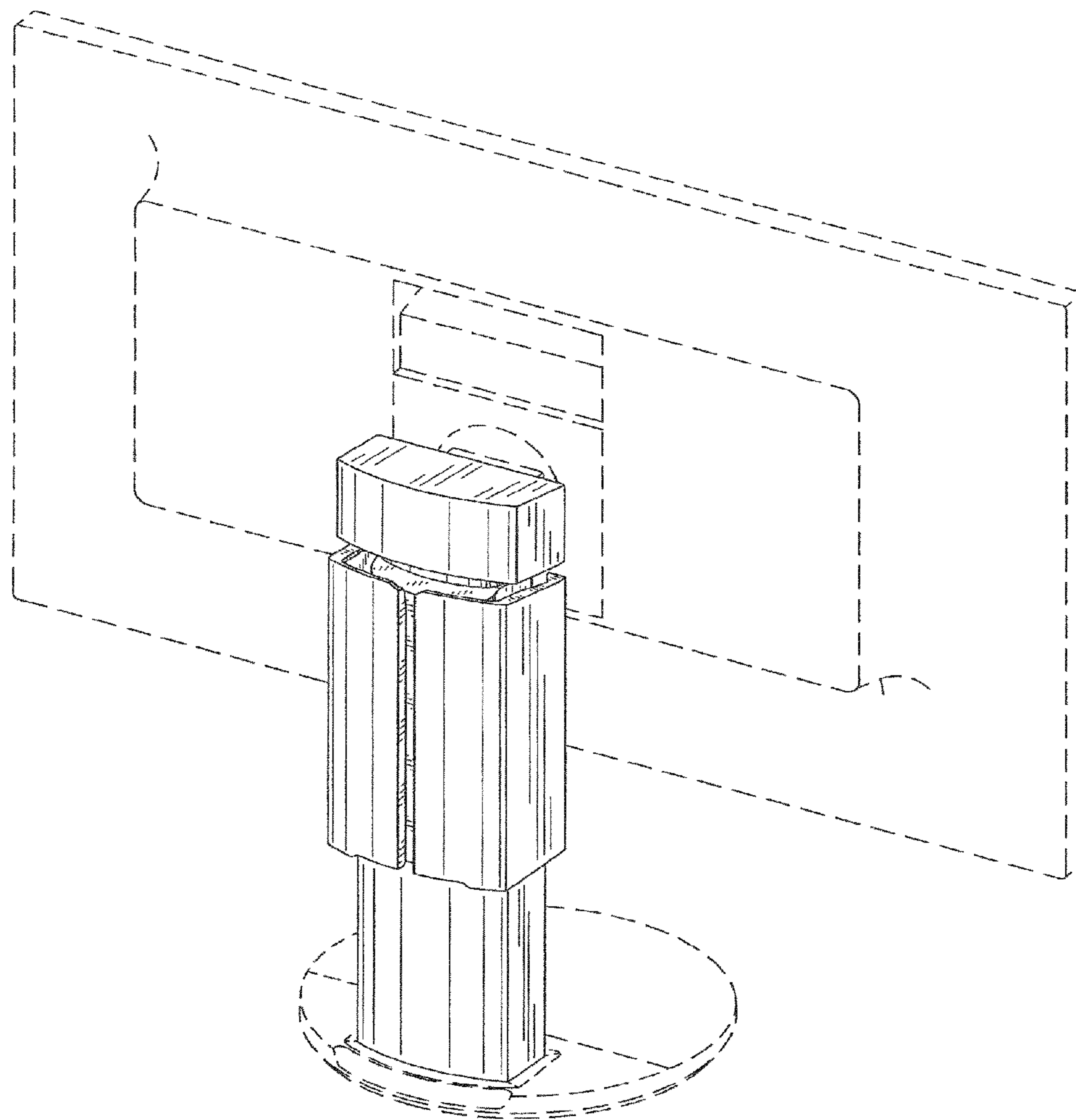


FIG. 10