



US00D677670S

(12) **United States Design Patent**
Vizcarra et al.

(10) **Patent No.:** **US D677,670 S**
(45) **Date of Patent:** **** Mar. 12, 2013**

(54) **JOINT SPEAKER AND STAND DEVICE**

(75) Inventors: **Damien Vizcarra**, Pasadena, CA (US);
Kevin Young, Needham, MA (US)

(73) Assignee: **Continuum, LLC**, West Newton, MA (US)

(**) Term: **14 Years**

(21) Appl. No.: **29/416,297**

(22) Filed: **Mar. 20, 2012**

(51) **LOC (9) Cl.** **14-04**

(52) **U.S. Cl.** **D14/447**

(58) **Field of Classification Search** D14/447,
D14/432, 433, 434, 439, 440, 451, 452, 457,
D14/239, 251, 253, 217, 374, 375, 376, 377,
D14/902, 216, 209.1, 204; D12/415, 416;
D3/218, 274, 318, 321, 328; D6/406.3, 406.4;
190/117; 361/679.03, 679.09, 679.05, 679.26,
361/679.3, 679.55, 679.56, 679.27; 248/176.1,
248/917, 918, 919, 920, 921, 922, 923, 924,
248/682, 689, 690, 691, 692, 441.1, 444,
248/447, 451, 460, 463, 118, 118.5, 149,
248/150, 166, 434

See application file for complete search history.

(56) **References Cited**

U.S. PATENT DOCUMENTS

D369,806 S	*	5/1996	Ichikawa	D14/172
D374,444 S	*	10/1996	Blessing	D14/216
D486,140 S	*	2/2004	Park	D14/172
D524,244 S	*	7/2006	Hussaini et al.	D14/209.1
D536,331 S	*	2/2007	Hussaini et al.	D14/209.1
D573,135 S	*	7/2008	Laituri et al.	D14/216
D579,443 S	*	10/2008	Donovan et al.	D14/217

D601,545 S	*	10/2009	Joseph	D14/209.1
D625,288 S	*	10/2010	Ueda	D14/209.1
D637,586 S	*	5/2011	Lee	D14/239
8,055,009 B2	*	11/2011	Porter	381/388
D651,193 S	*	12/2011	Chang	D14/209.1
D664,602 S	*	7/2012	Chiu et al.	D21/333

* cited by examiner

Primary Examiner — Angela J Lee

(74) *Attorney, Agent, or Firm* — Stanley F. Chalvire; Morse, Barnes-Brown & Pendleton, P.C.

(57) **CLAIM**

The ornamental design for a joint speaker and stand device, as shown and described.

DESCRIPTION

FIG. 1 is a perspective view of a first embodiment of the joint speaker and stand device shown supporting an electronic device in a landscape orientation.

FIG. 2 is a front view thereof.

FIG. 3 is a right side view thereof.

FIG. 4 is a top view thereof.

FIG. 5 is a perspective view of a second embodiment of the joint speaker and stand device shown supporting an electronic device in a portrait orientation.

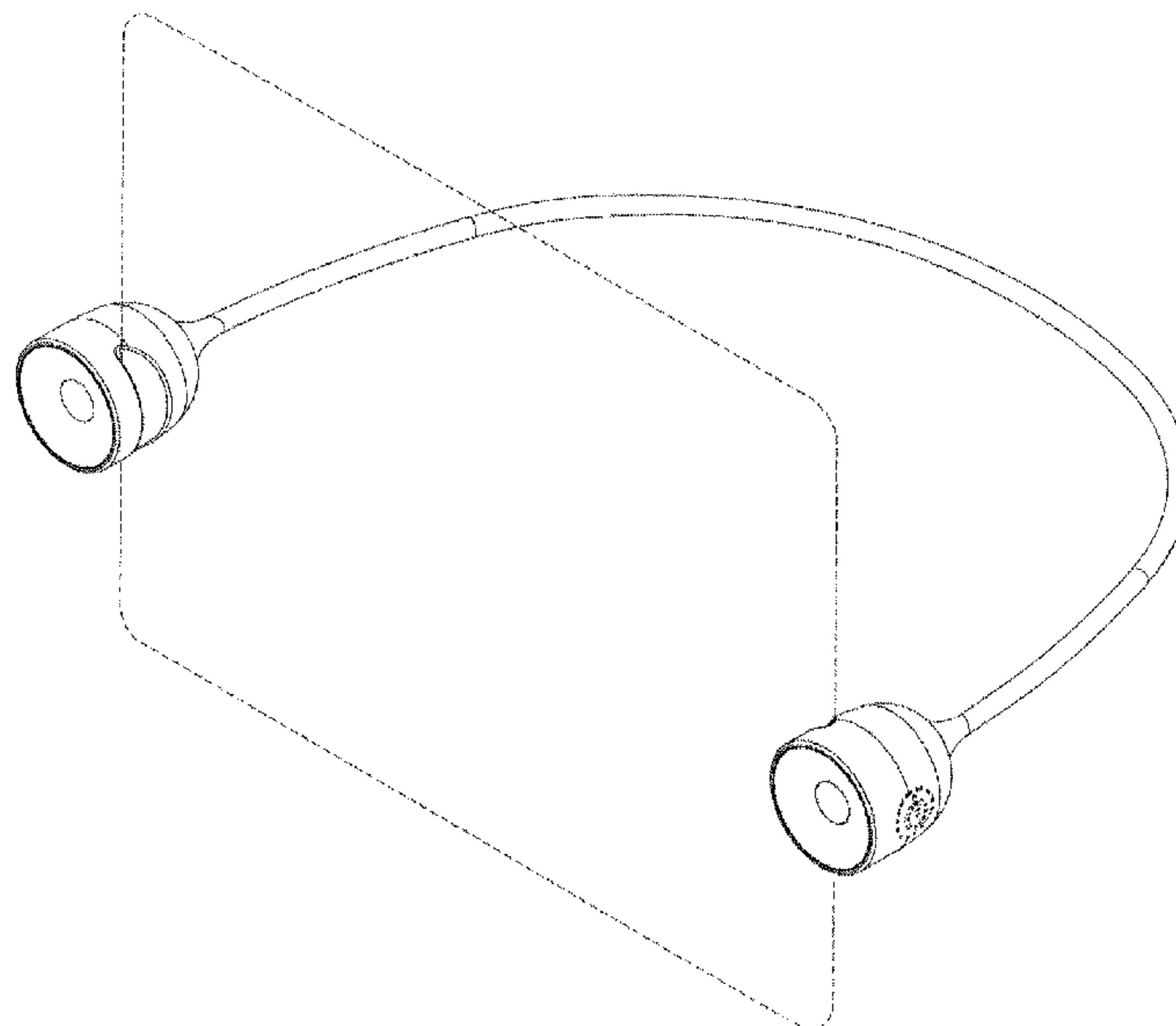
FIG. 6 is a front view thereof.

FIG. 7 is a right side view thereof; and,

FIG. 8 is a top view thereof.

The electronic tablet device is included in the foregoing figures for illustrative purposes only and forms no part of the claimed design. Additionally, the depicted power button is included in the foregoing figures for illustrative purposes only and forms no part of the claimed design. In addition, the broken line disclosure is for illustrative purposes only and forms no part of the claimed design.

1 Claim, 8 Drawing Sheets



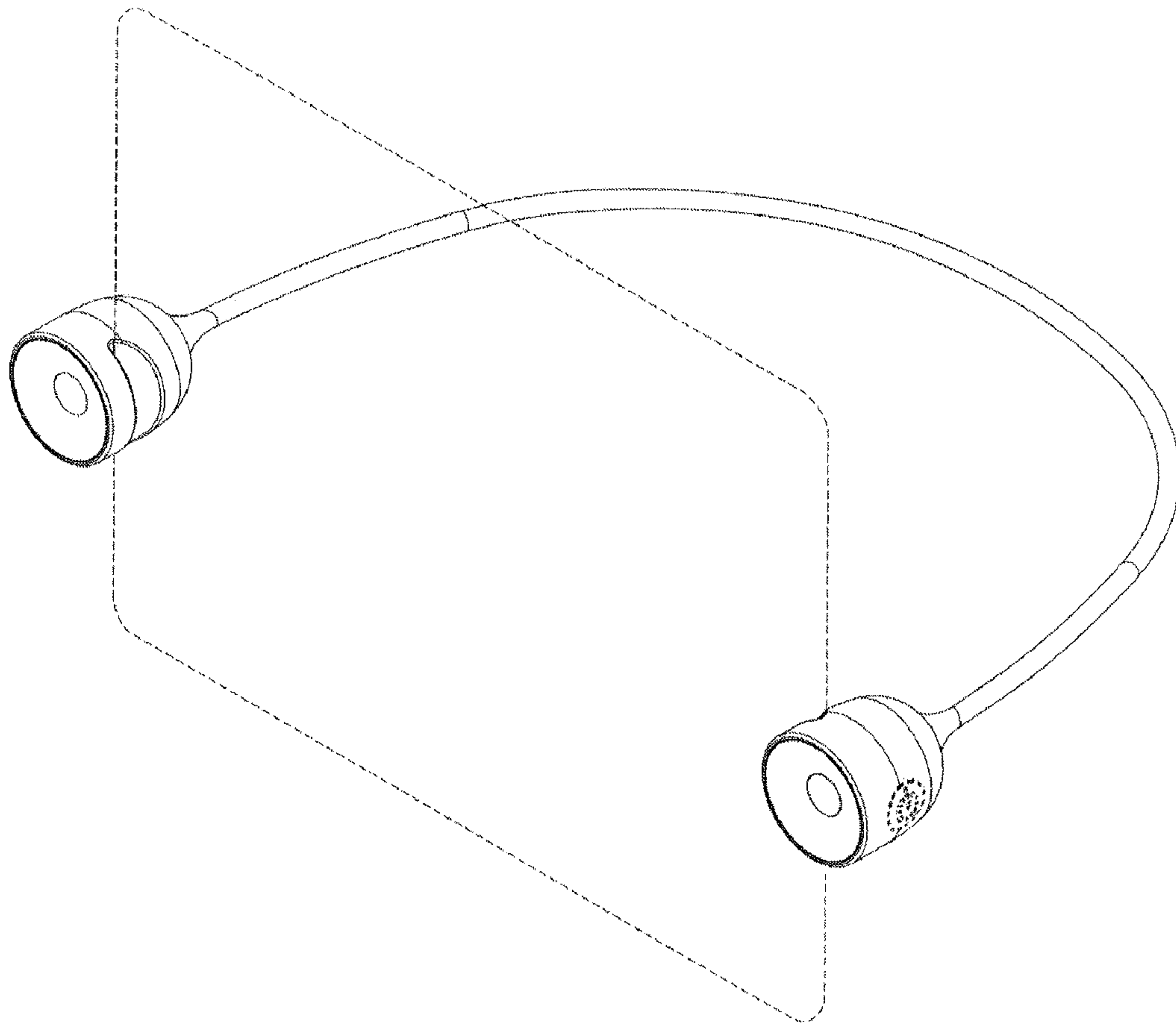


FIG. 1

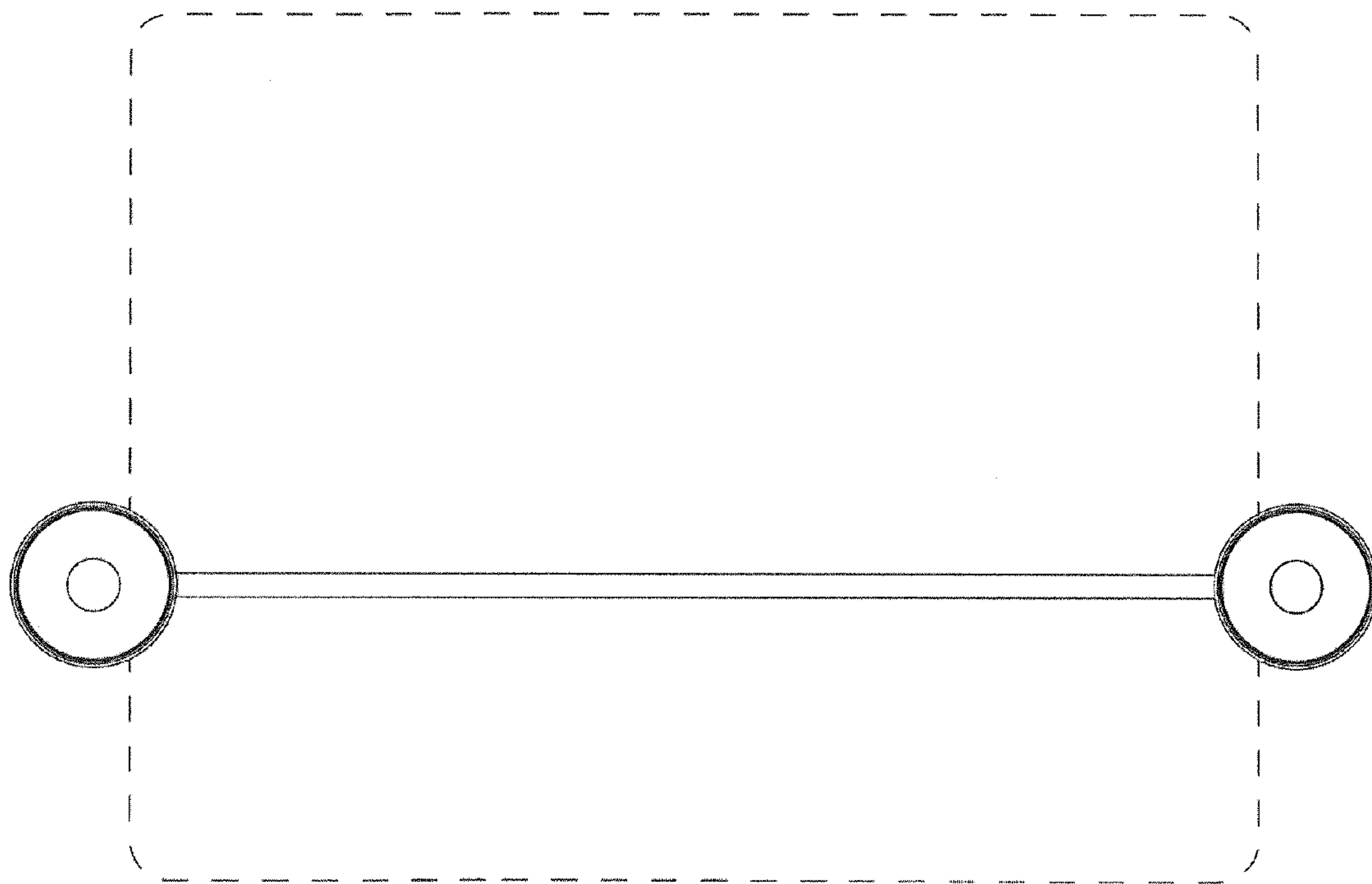


FIG. 2

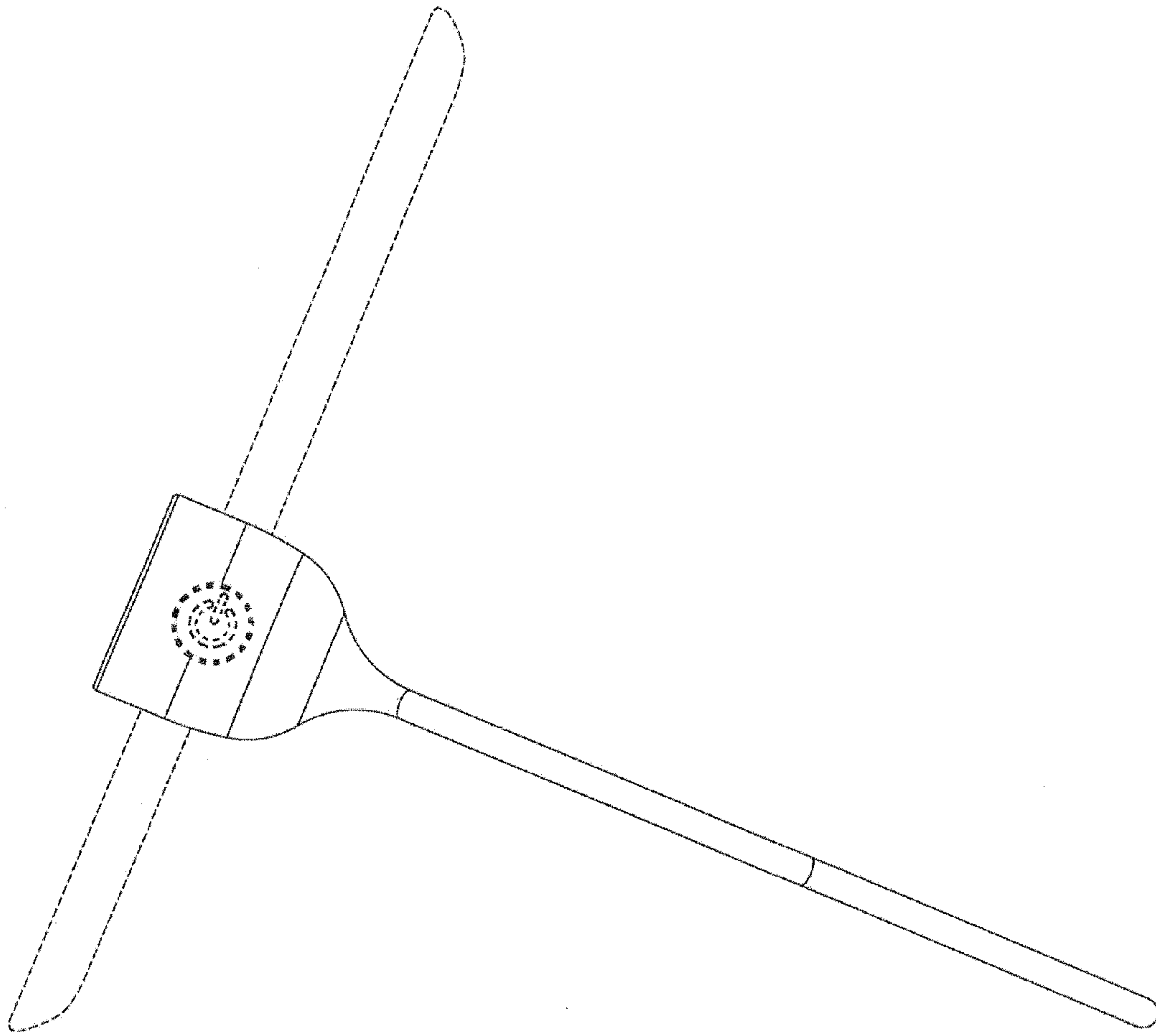


FIG. 3

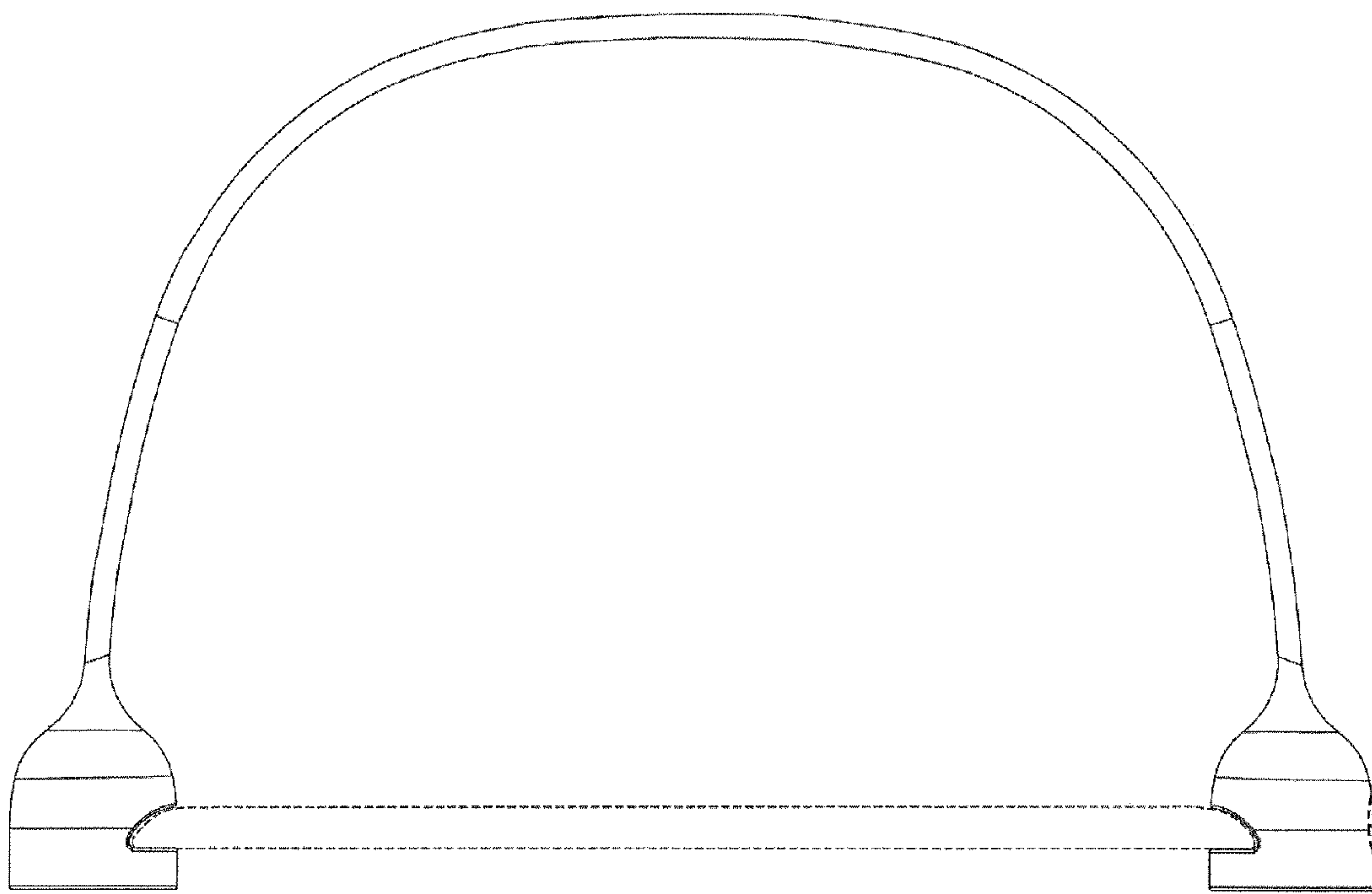


FIG. 4

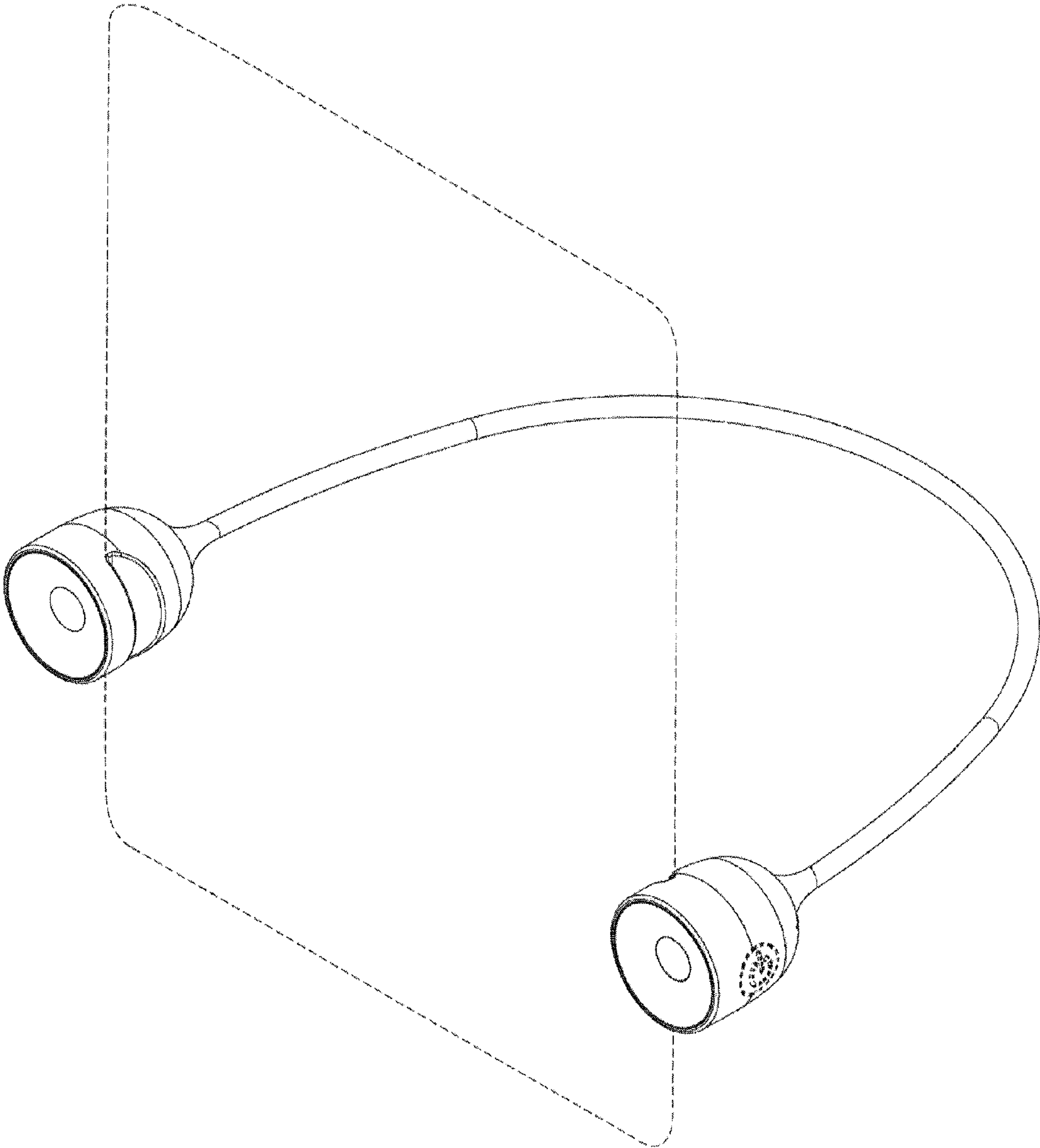


FIG. 5

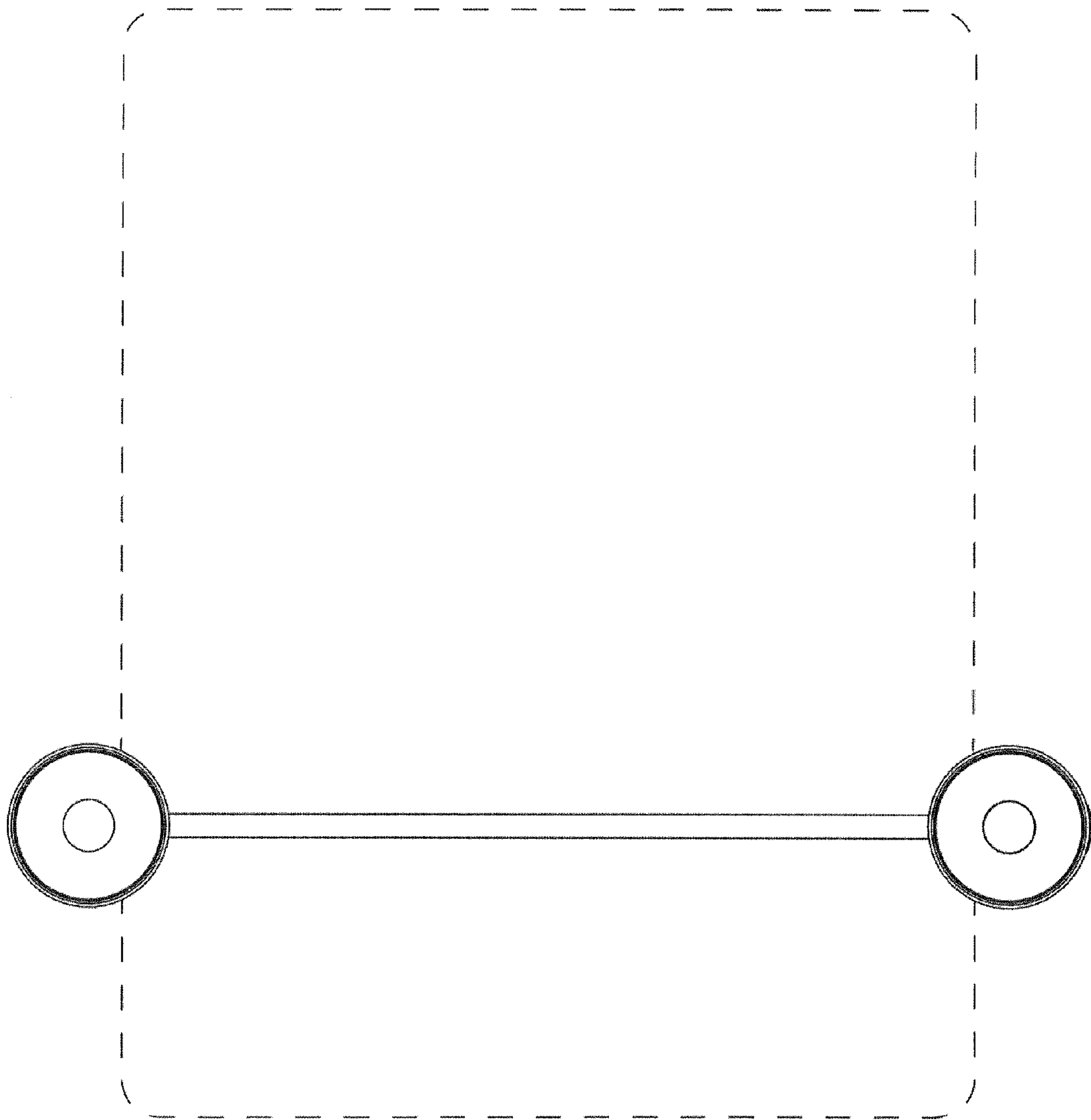


FIG. 6

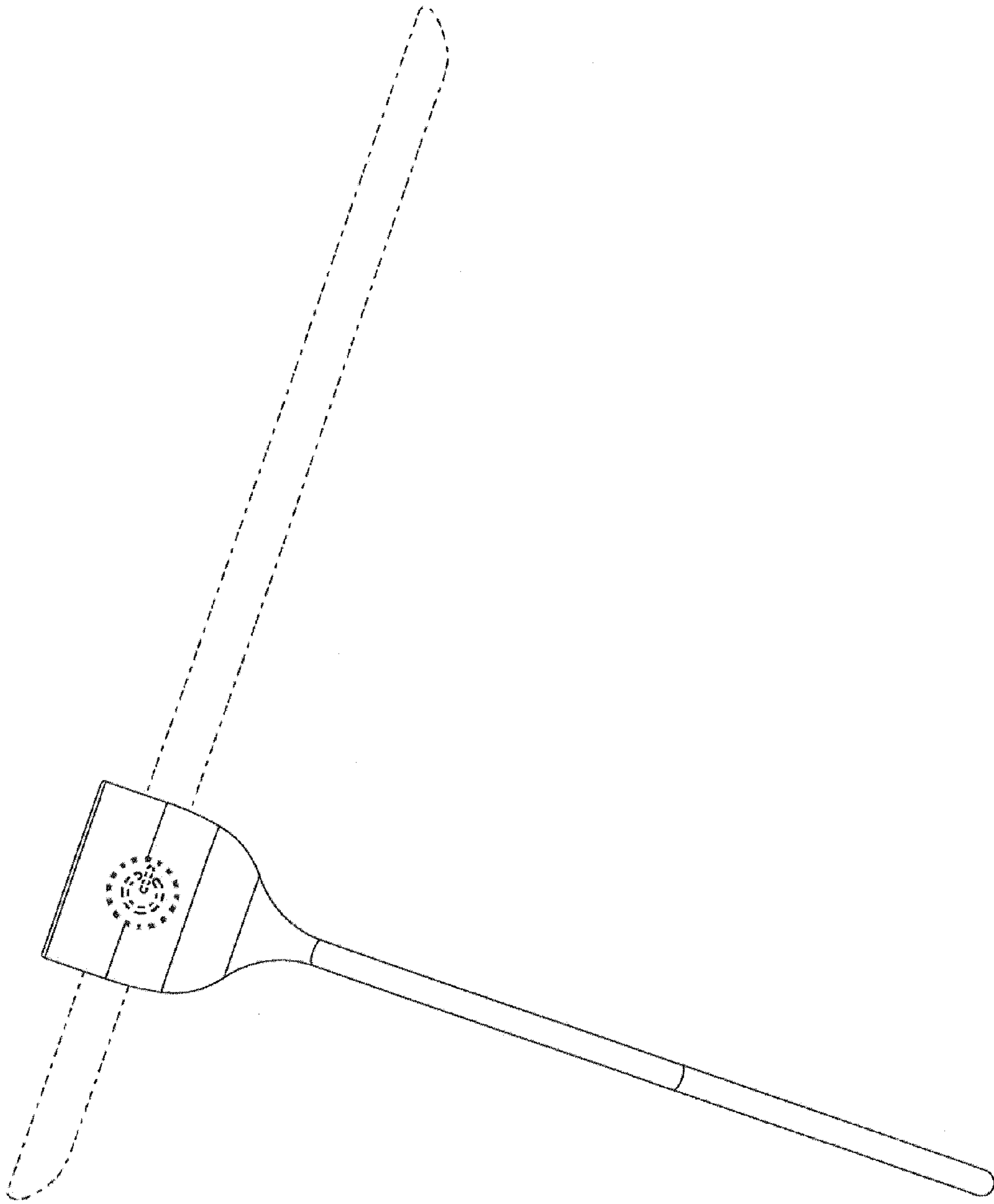


FIG. 7

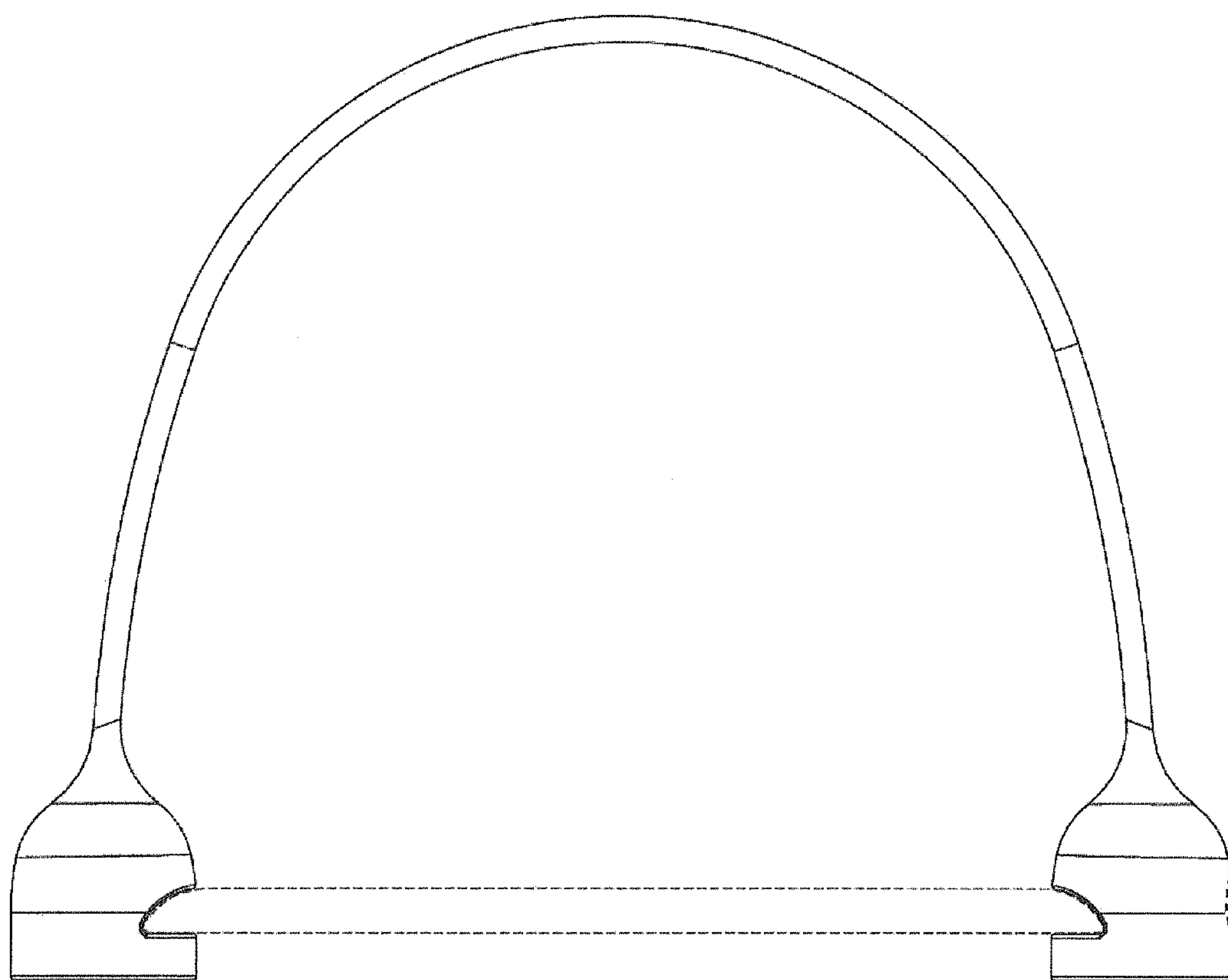


FIG. 8