



US00D677668S

(12) **United States Design Patent**
Phillips et al.

(10) **Patent No.:** **US D677,668 S**
(45) **Date of Patent:** **** Mar. 12, 2013**

(54) **CONVERTIBLE DEVICE COVER**

(75) Inventors: **Alison Phillips**, Toronto (CA); **Todd Andrew Wood**, Toronto (CA); **Anders Fahrendorff**, Ottawa (CA); **Dustin Jonathan Smith**, Waterloo (CA); **Caitlin Curran-Blaney**, Toronto (CA)

(73) Assignee: **Research In Motion Limited**, Waterloo, Ontario (CA)

(**) Term: **14 Years**

(21) Appl. No.: **29/387,366**

(22) Filed: **Mar. 11, 2011**

(51) **LOC (9) Cl.** **14-02**

(52) **U.S. Cl.** **D14/440**

(58) **Field of Classification Search** D14/250, D14/251, 253, 240, 217, 496, 440, 203.3, D14/203.4, 203.5, 203.8, 432, 439, 300; D3/218, 215, 201; 220/4.02; 248/309.1; 361/679.56, 679.03; 379/426, 433.11, 455; 455/575.1, 575.8; 190/100; 206/305, 320
See application file for complete search history.

(56) **References Cited**

U.S. PATENT DOCUMENTS

2,354,782	A *	8/1944	Stradling et al.	281/16
4,718,550	A *	1/1988	Johnson	206/387.13
5,375,076	A *	12/1994	Goodrich et al.	361/679.17
D466,356	S *	12/2002	Marsilio	D6/632
7,502,225	B2 *	3/2009	Solomon et al.	361/679.41
D600,699	S *	9/2009	Johnston et al.	D14/440
D651,213	S *	12/2011	Magness et al.	D14/447
D664,528	S *	7/2012	Chen et al.	D14/253

8,230,992	B2 *	7/2012	Law et al.	206/320
8,235,208	B2 *	8/2012	Sirichai et al.	206/320
2001/0009500	A1 *	7/2001	Selker	361/683
2004/0202858	A1 *	10/2004	Lee	428/332
2010/0294909	A1 *	11/2010	Hauser et al.	248/456

* cited by examiner

Primary Examiner — Cynthia Underwood

(57) **CLAIM**

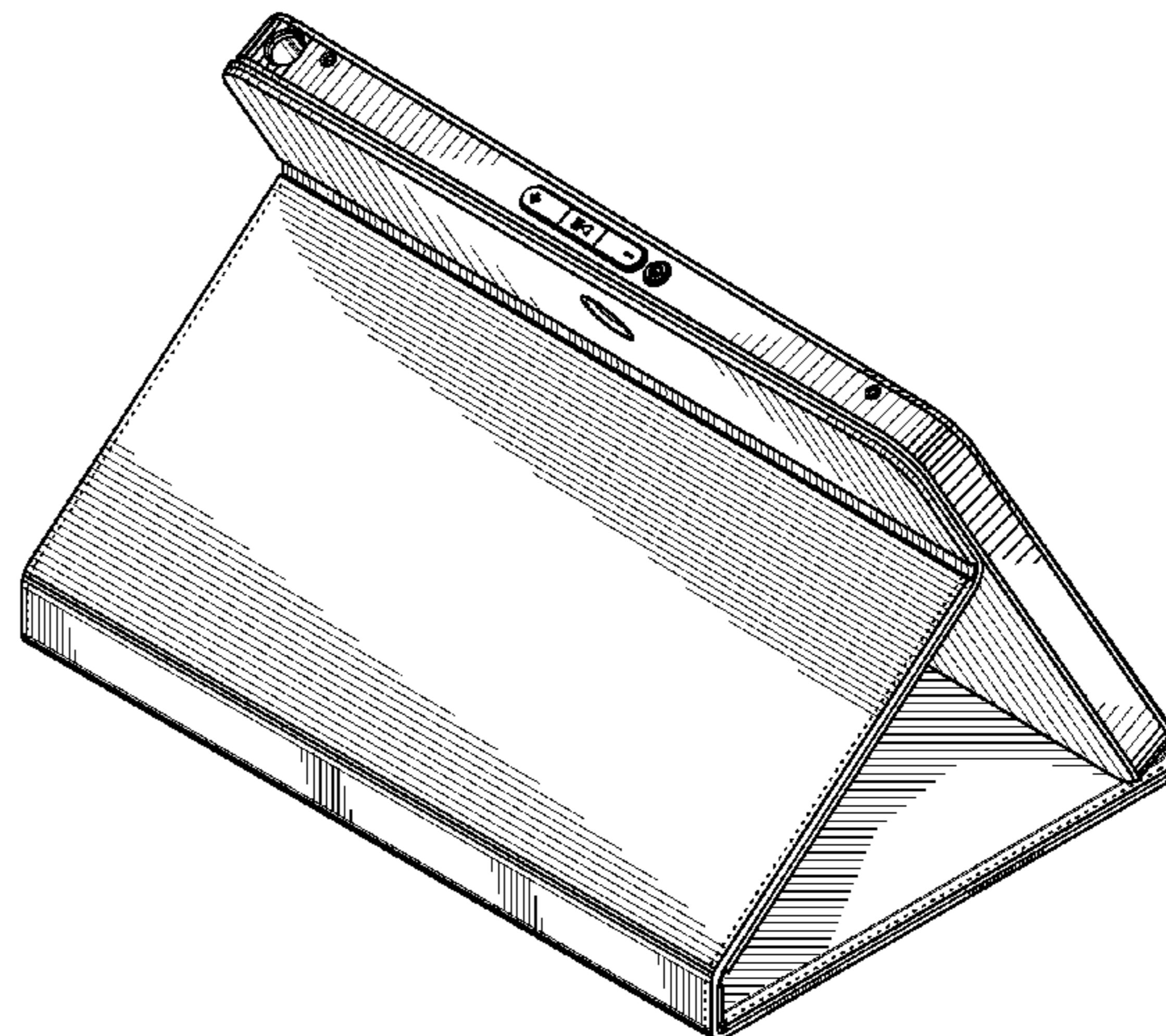
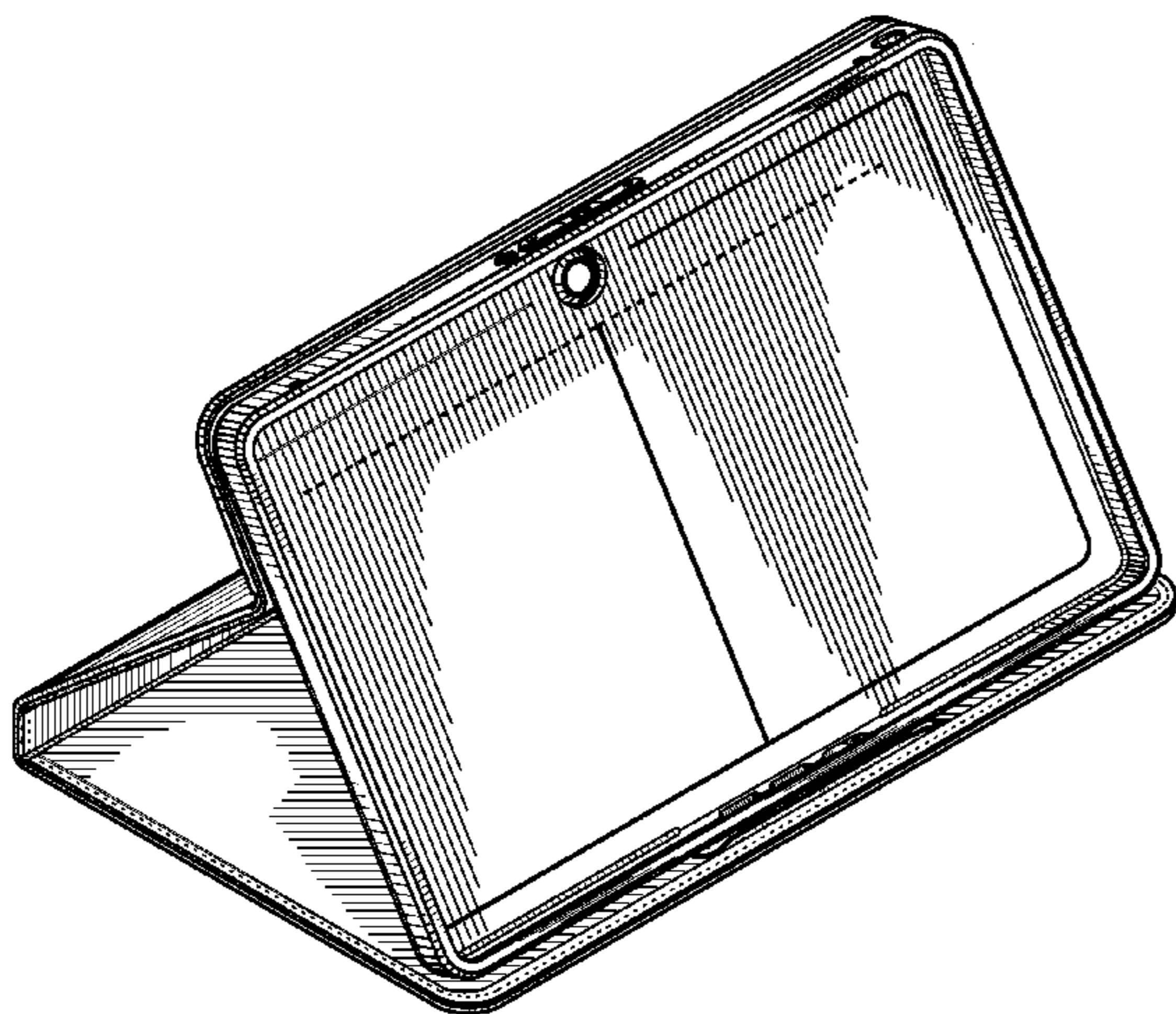
We claim the ornamental design for a convertible device cover, as shown and described.

DESCRIPTION

FIG. 1 is a front perspective view of a convertible device cover;
FIG. 2 is a back perspective view of the convertible device cover;
FIG. 3 is a front elevational view thereof;
FIG. 4 is a bottom plan view thereof;
FIG. 5 is a top plan view thereof;
FIG. 6 is a back elevational view thereof;
FIG. 7 is a right elevational view thereof; and,
FIG. 8 is a left elevational view thereof.

The broken lines shown on or along the perimeter of the device cover represent stitching and is part of the claim. The short, randomly placed wavy lines depicted in the Figures are for illustrating a texture of the device cover and form no part of the claim. The remaining broken lines shown in the drawings of the device cover are for illustrating portions of the article and form no part of the claimed design.

1 Claim, 8 Drawing Sheets



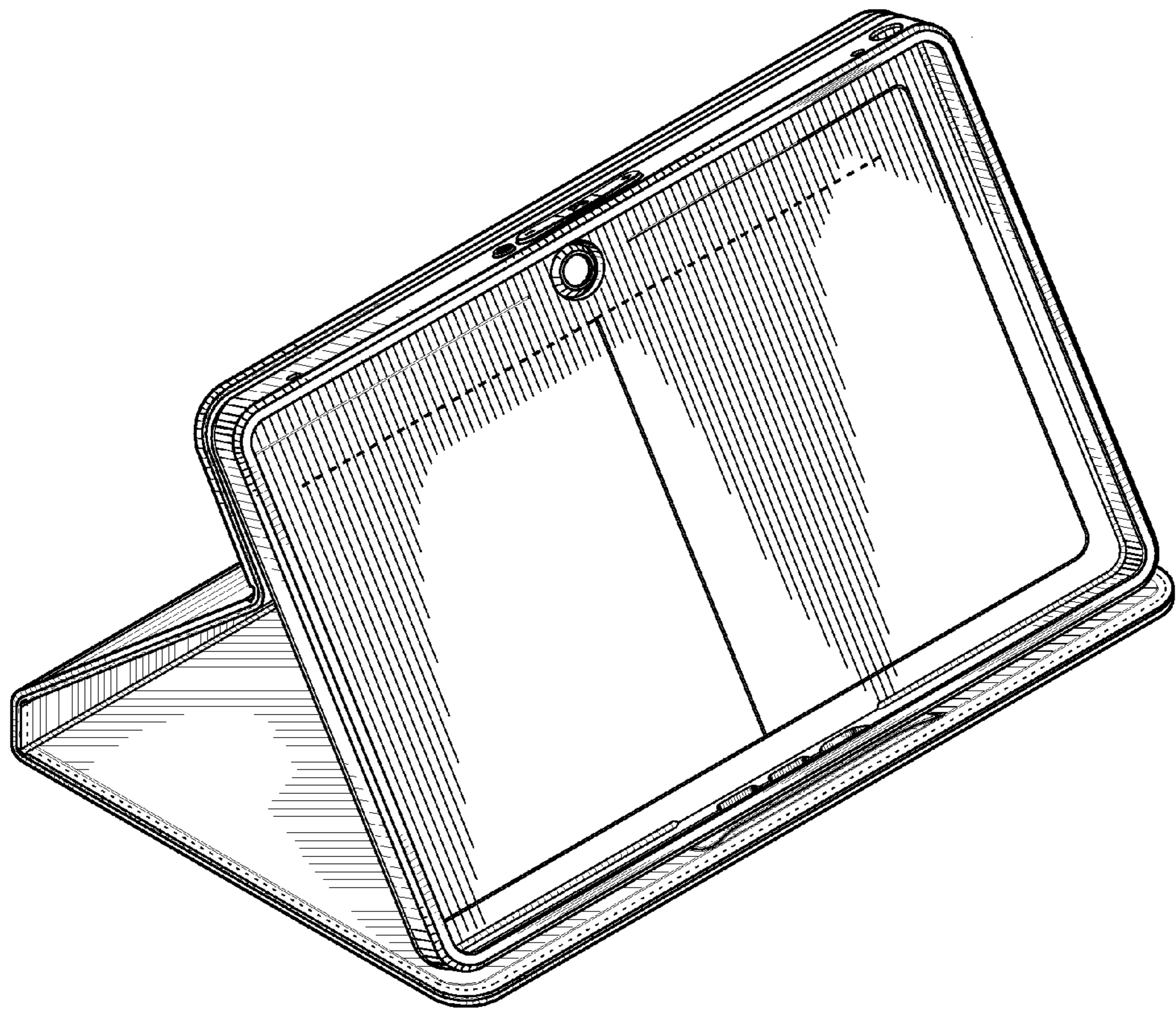


FIG.1

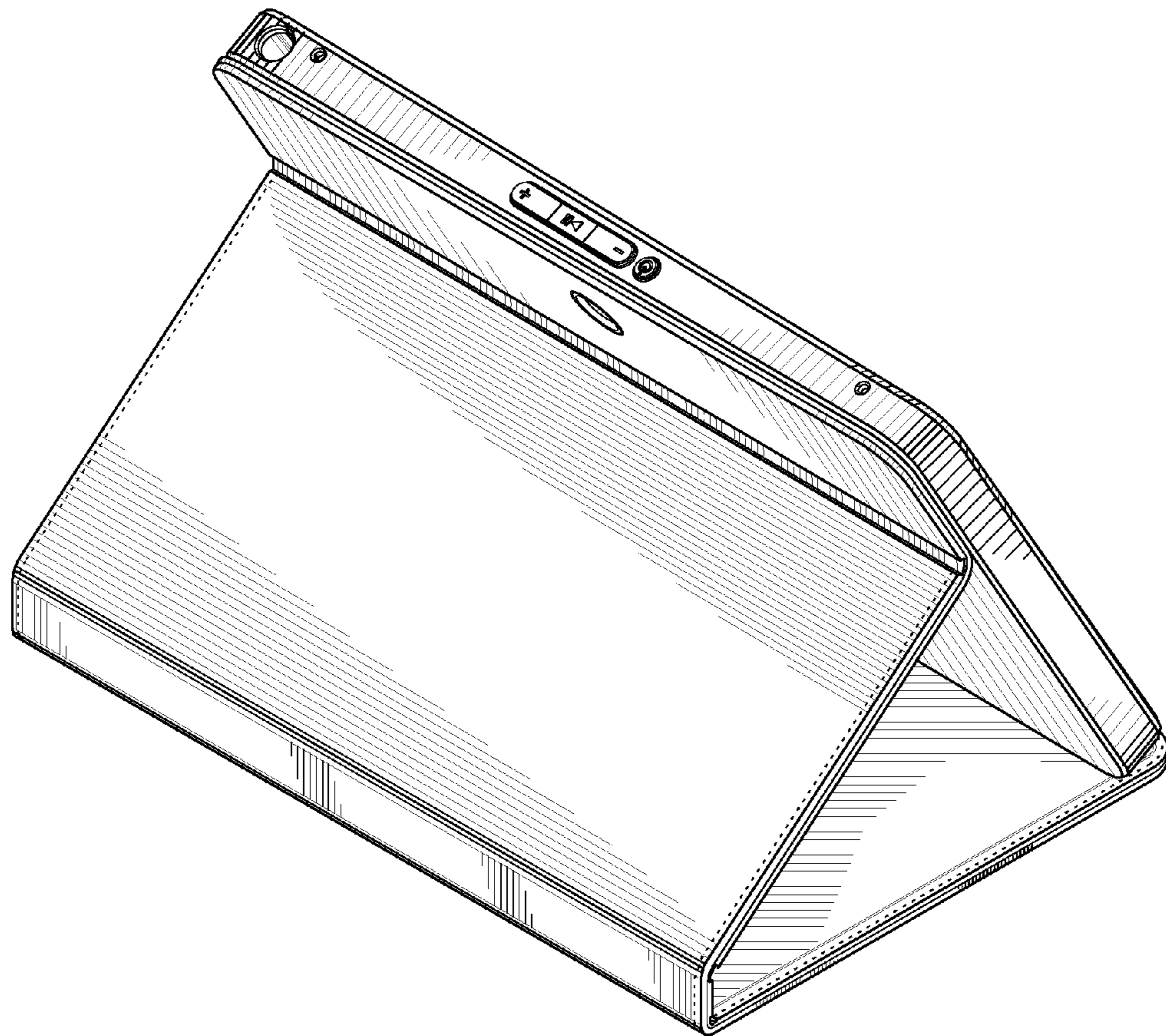


FIG.2

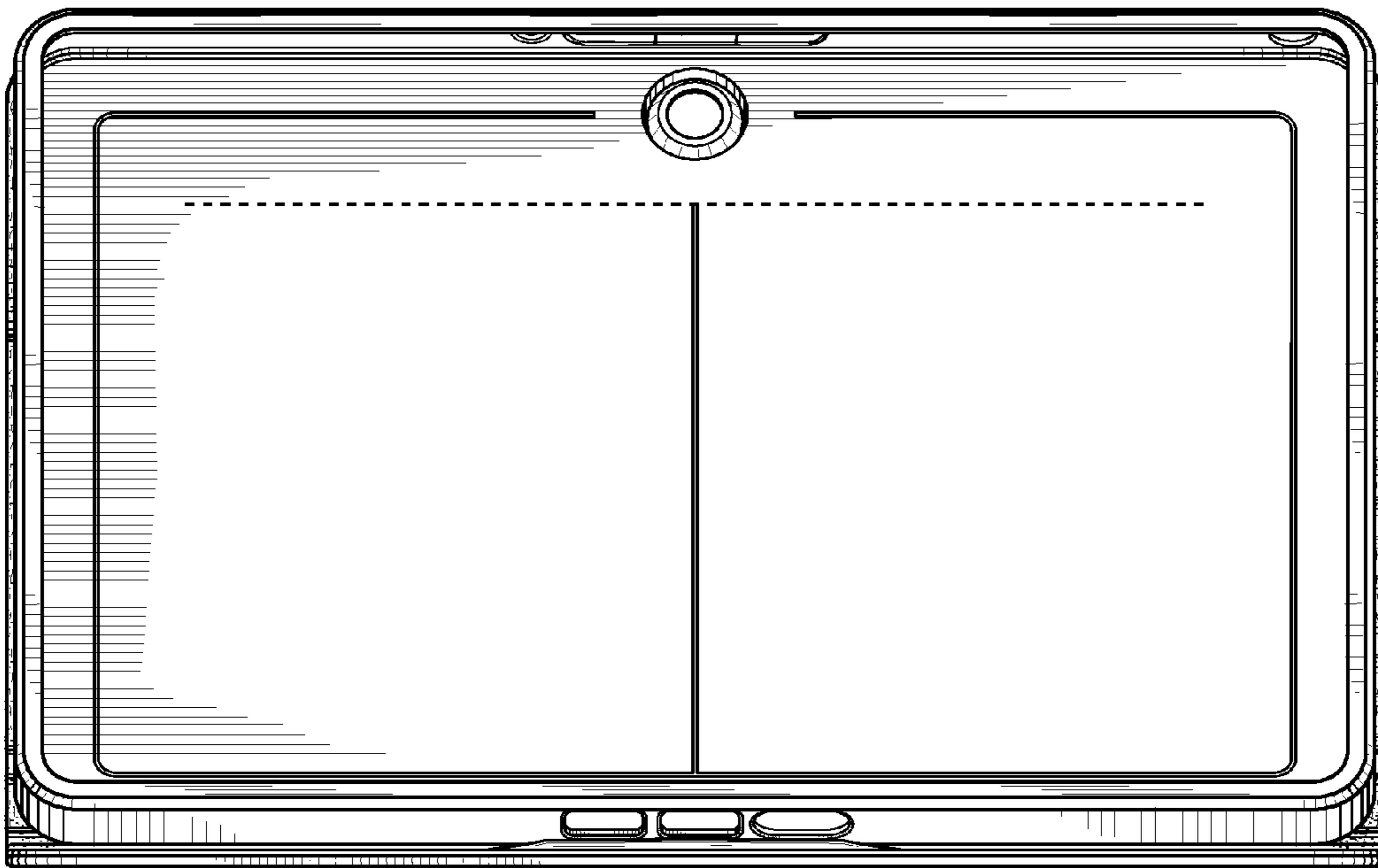


FIG.3

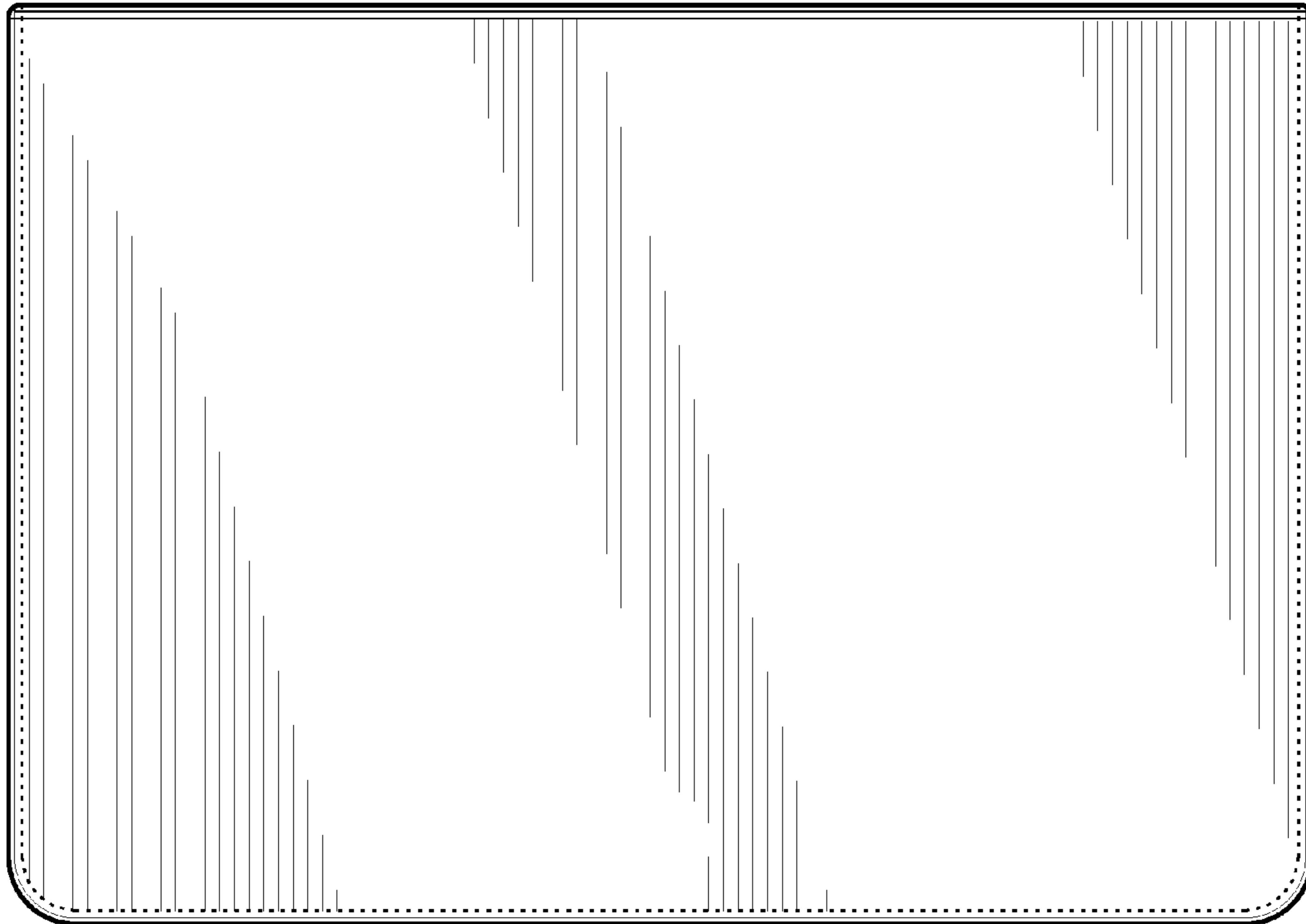


FIG.4

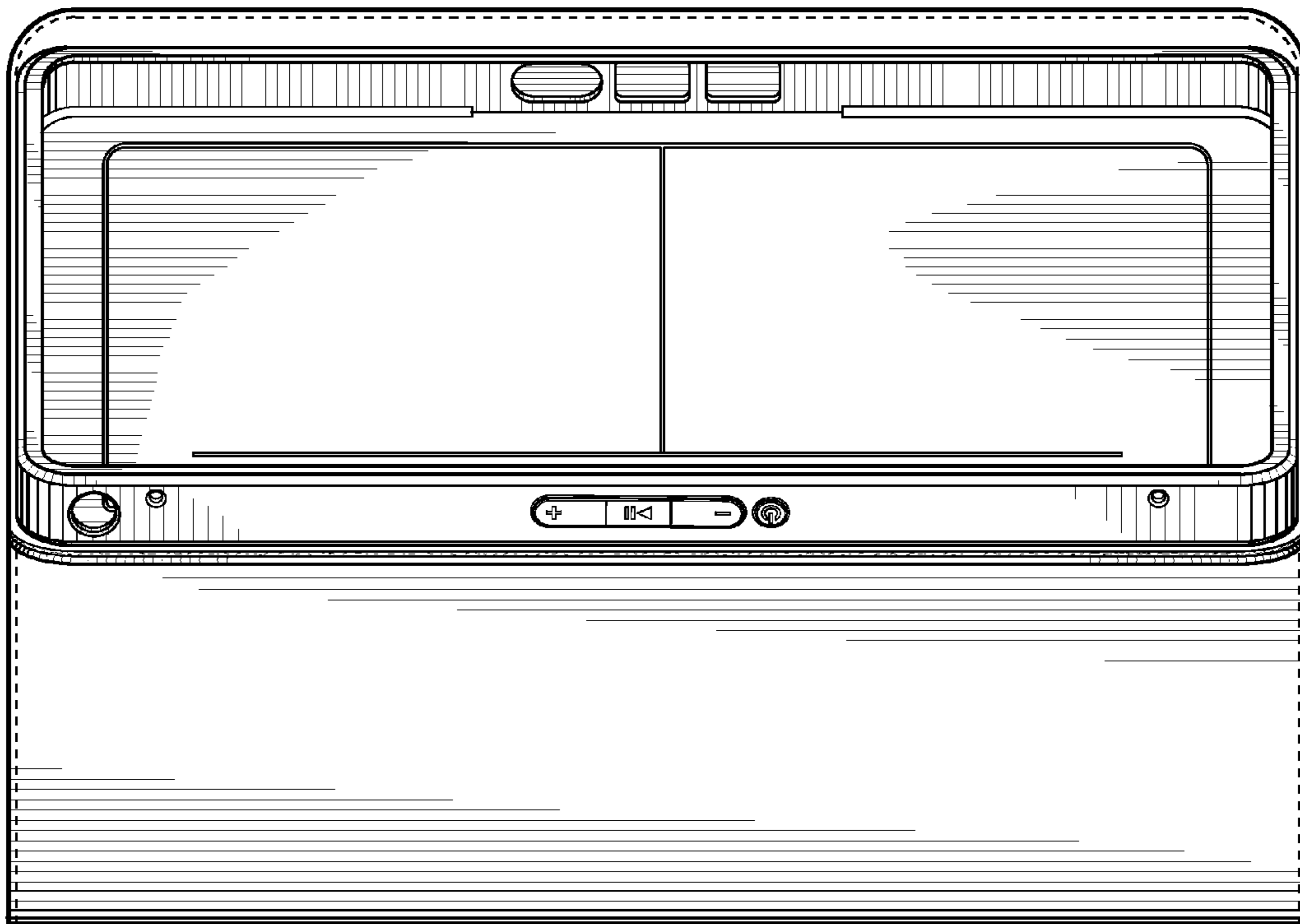


FIG.5

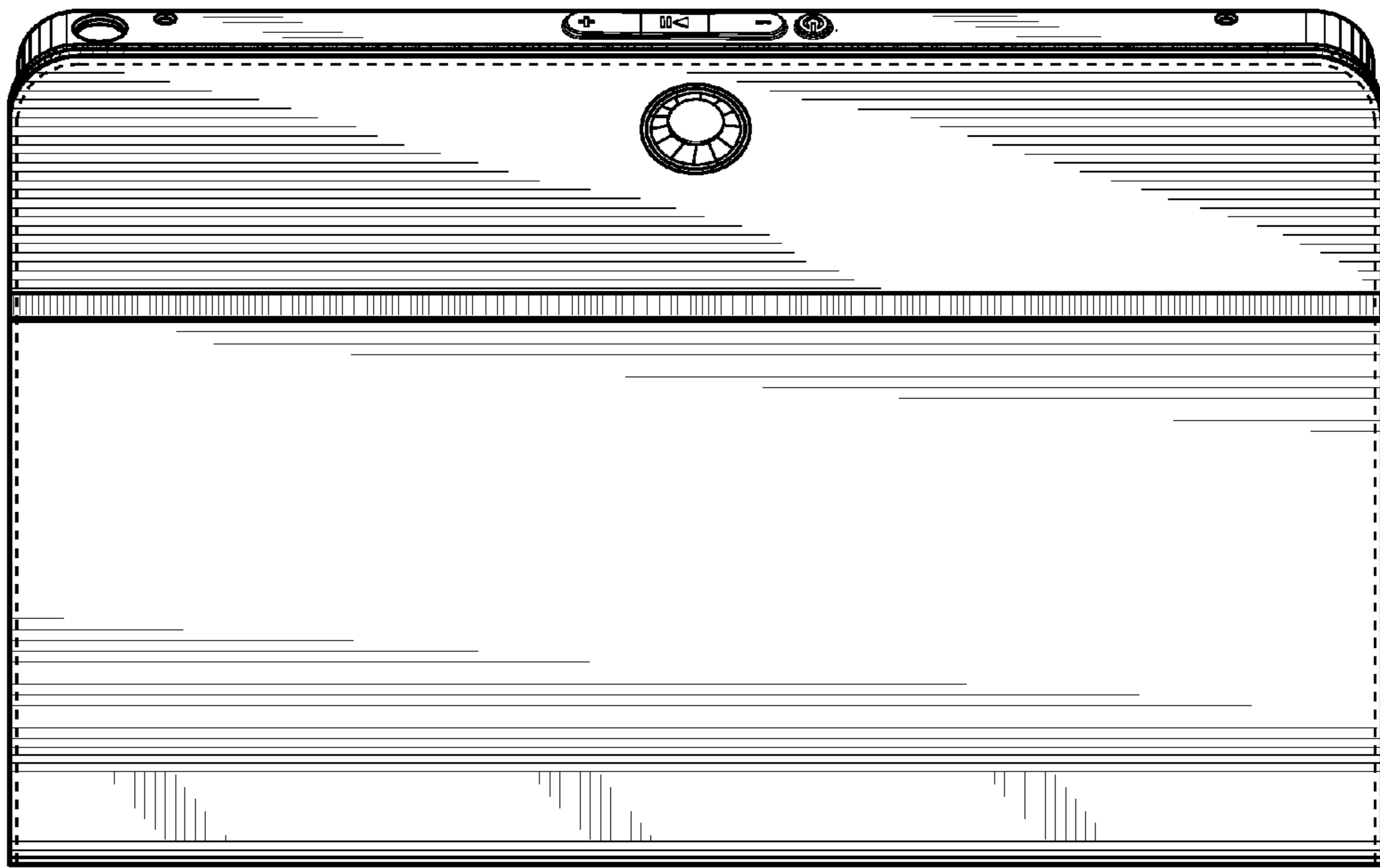


FIG.6

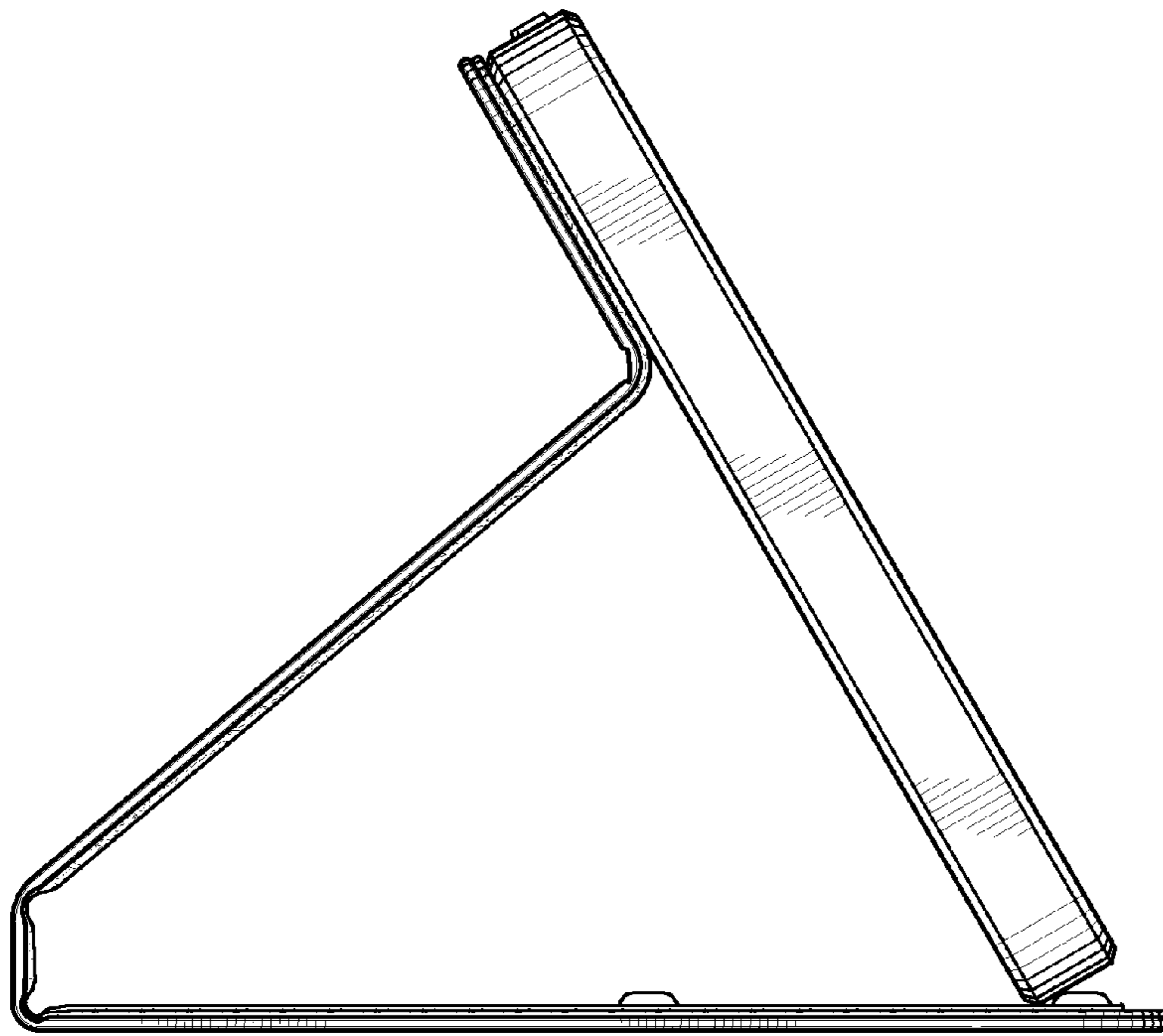


FIG.7

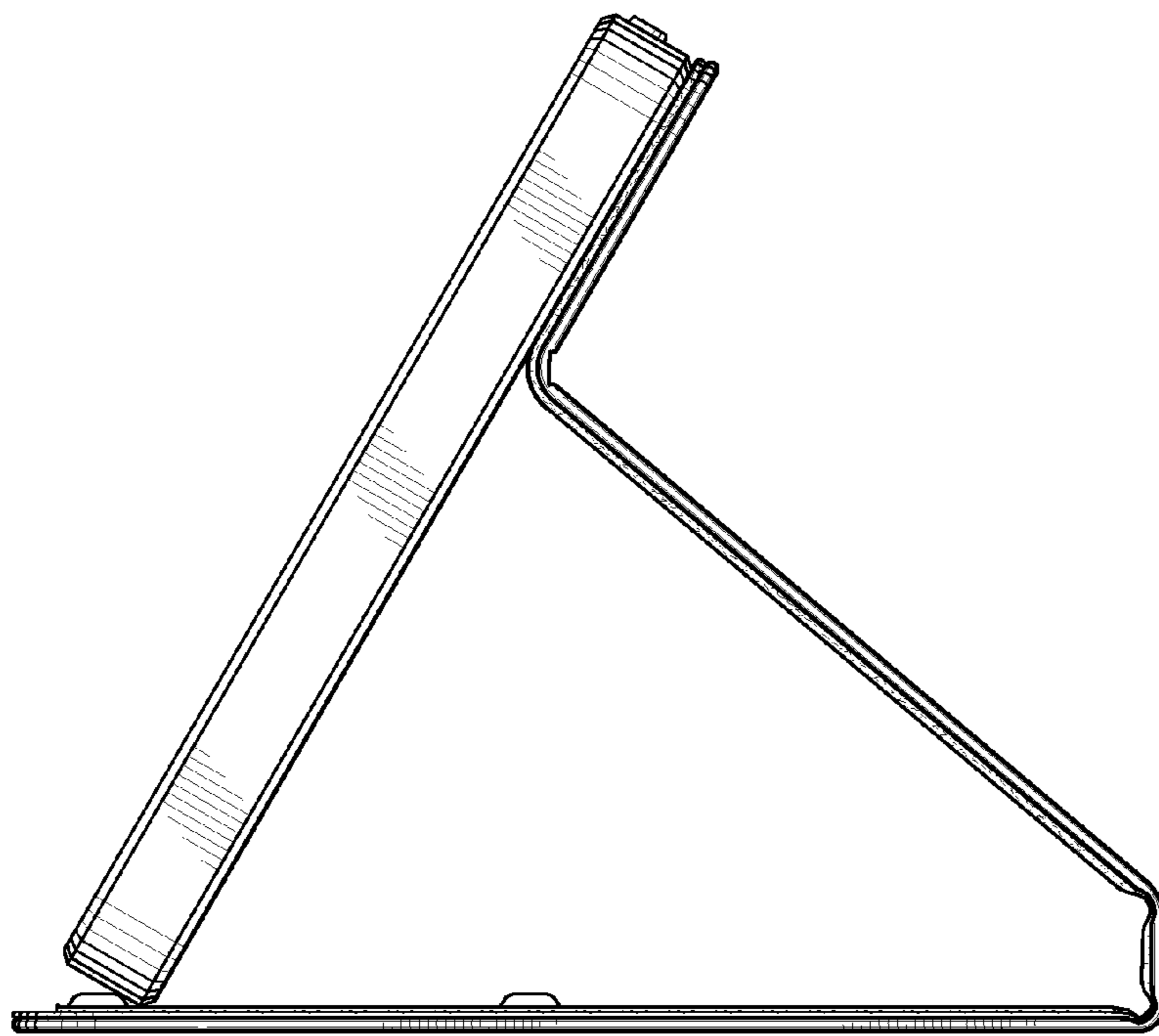


FIG. 8