



US00D677667S

(12) **United States Design Patent**
Smith et al.

(10) **Patent No.:** **US D677,667 S**
(45) **Date of Patent:** **** Mar. 12, 2013**

- (54) **HANDHELD ELECTRONIC DEVICE SHELL**
- (75) Inventors: **Dustin Jonathan Smith**, Waterloo (CA);
Todd Andrew Wood, Toronto (CA);
Anders Fahrendorff, Ottawa (CA)
- (73) Assignee: **Research In Motion Limited**, Waterloo,
Ontario (CA)
- (**) Term: **14 Years**
- (21) Appl. No.: **29/385,038**
- (22) Filed: **Feb. 8, 2011**
- (51) **LOC (9) Cl.** **14-02**
- (52) **U.S. Cl.** **D14/440**
- (58) **Field of Classification Search** D14/250,
D14/251, 253, 240, 217, 496, 440, 203.3,
D14/203.4, 203.5, 203.8, 432, 439, 300;
D3/218, 215, 201; 220/4.02; 248/309.1;
361/679.56; 379/426, 433.11, 455; 455/575.1,
455/575.8; 190/100; 206/305, 320
See application file for complete search history.

(56) **References Cited**

U.S. PATENT DOCUMENTS

D469,438	S *	1/2003	Corrales	D14/432
7,542,052	B2 *	6/2009	Solomon et al.	345/659
D609,226	S *	2/2010	Hofer et al.	D14/248
8,016,107	B2 *	9/2011	Emsky	206/320
D646,266	S *	10/2011	Kim et al.	D14/250

D654,069	S *	2/2012	Kwon et al.	D14/250
8,132,670	B1 *	3/2012	Chen	206/320
D659,139	S *	5/2012	Gengler	D14/392
D662,503	S *	6/2012	Akana et al.	D14/439
D665,809	S *	8/2012	Wang et al.	D14/439
8,245,843	B1 *	8/2012	Wu	206/320
2010/0289390	A1 *	11/2010	Kenney	312/223.1

* cited by examiner

Primary Examiner — Cynthia Underwood

(57) **CLAIM**

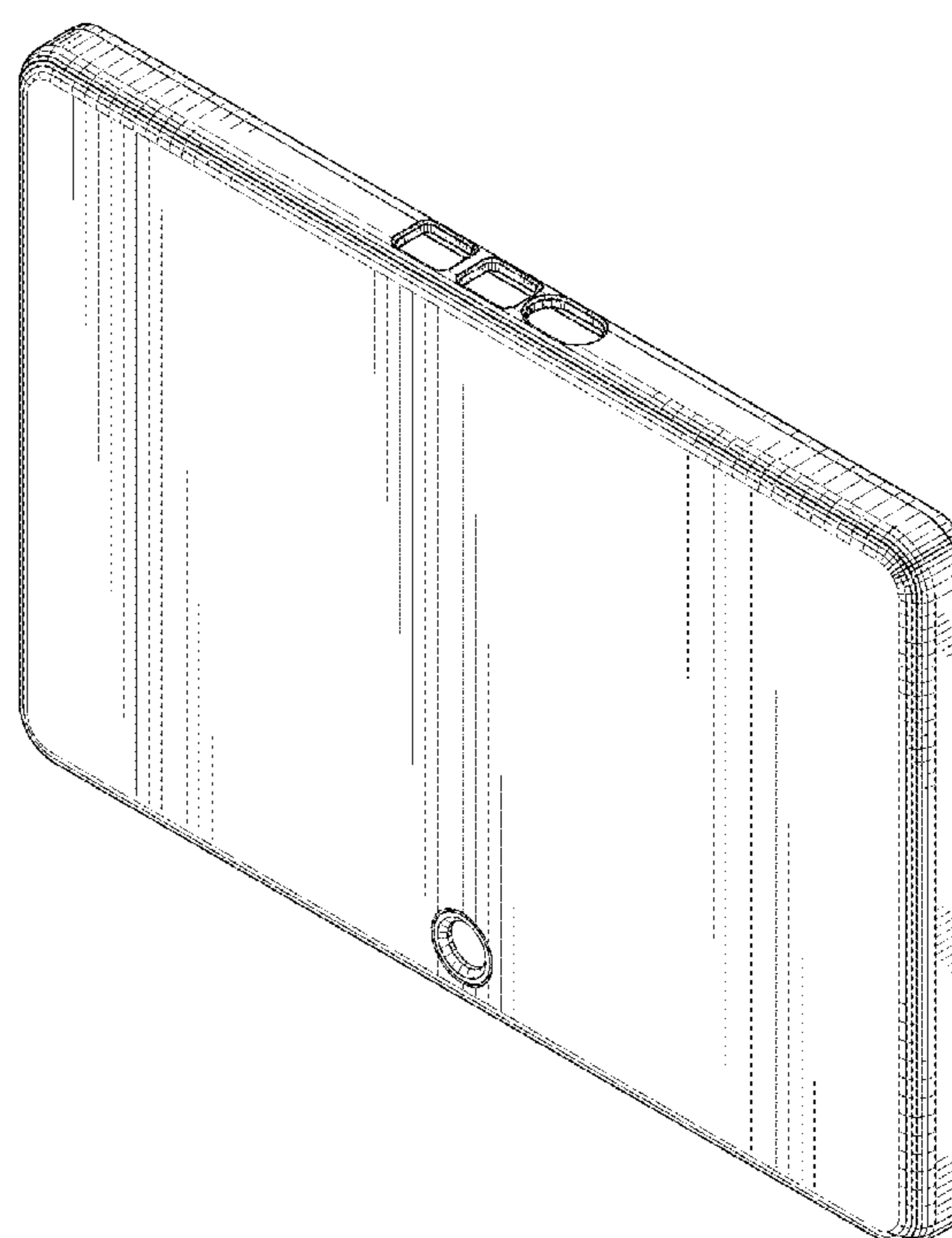
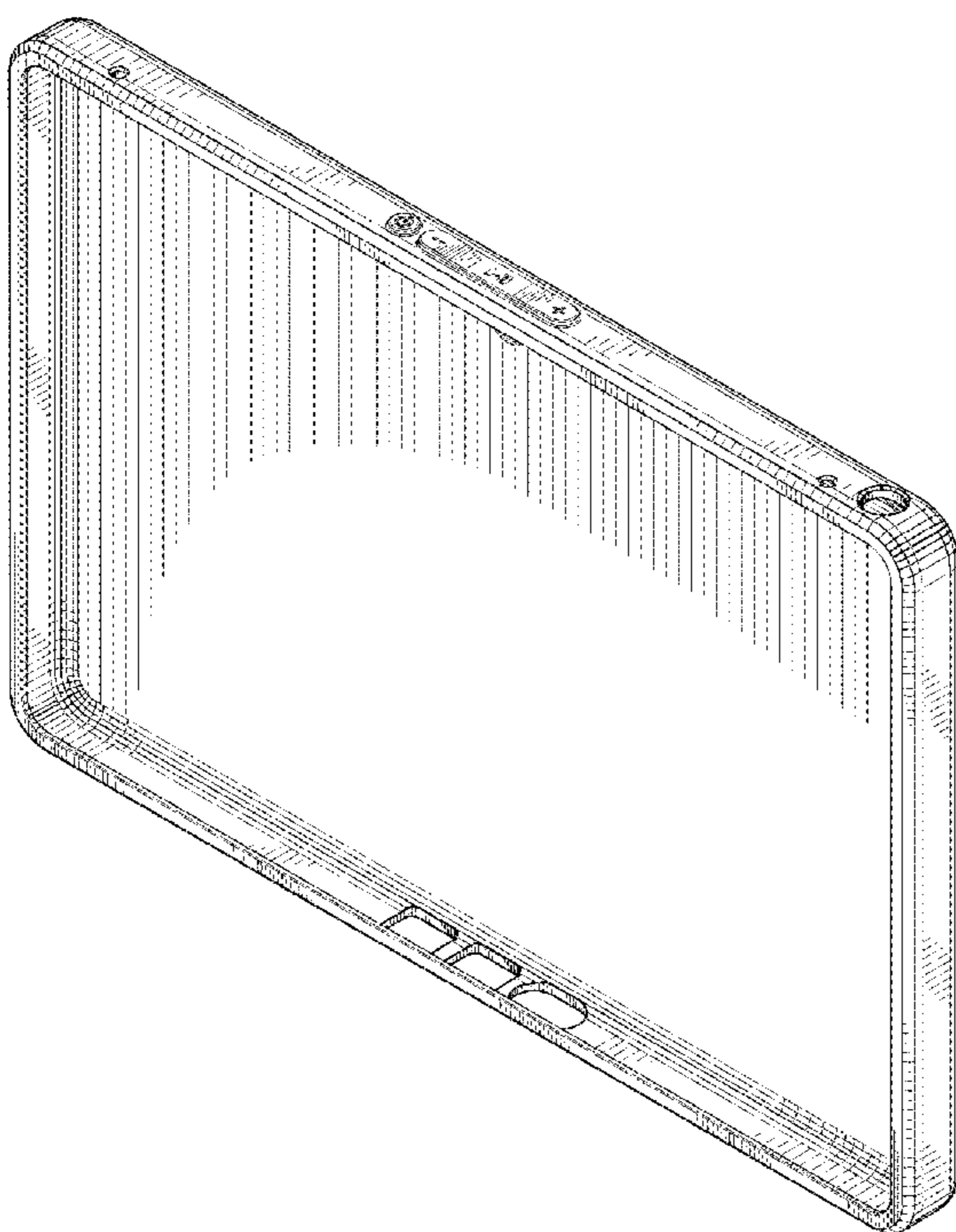
We claim the ornamental design for a handheld electronic device shell, as shown and described.

DESCRIPTION

- FIG. 1 is a front perspective view of a handheld electronic device shell;
- FIG. 2 is a back bottom perspective view of the handheld electronic device shell;
- FIG. 3 is a back elevational view of thereof;
- FIG. 4 is a front elevational view thereof;
- FIG. 5 is a left elevational view thereof;
- FIG. 6 is a right elevational view thereof;
- FIG. 7 is a top plan view thereof; and,
- FIG. 8 is a bottom plan view thereof.

The broken lines shown in the drawings of the handheld electronic device shell are for illustrating portions of the article and form no part of the claimed design.

1 Claim, 6 Drawing Sheets



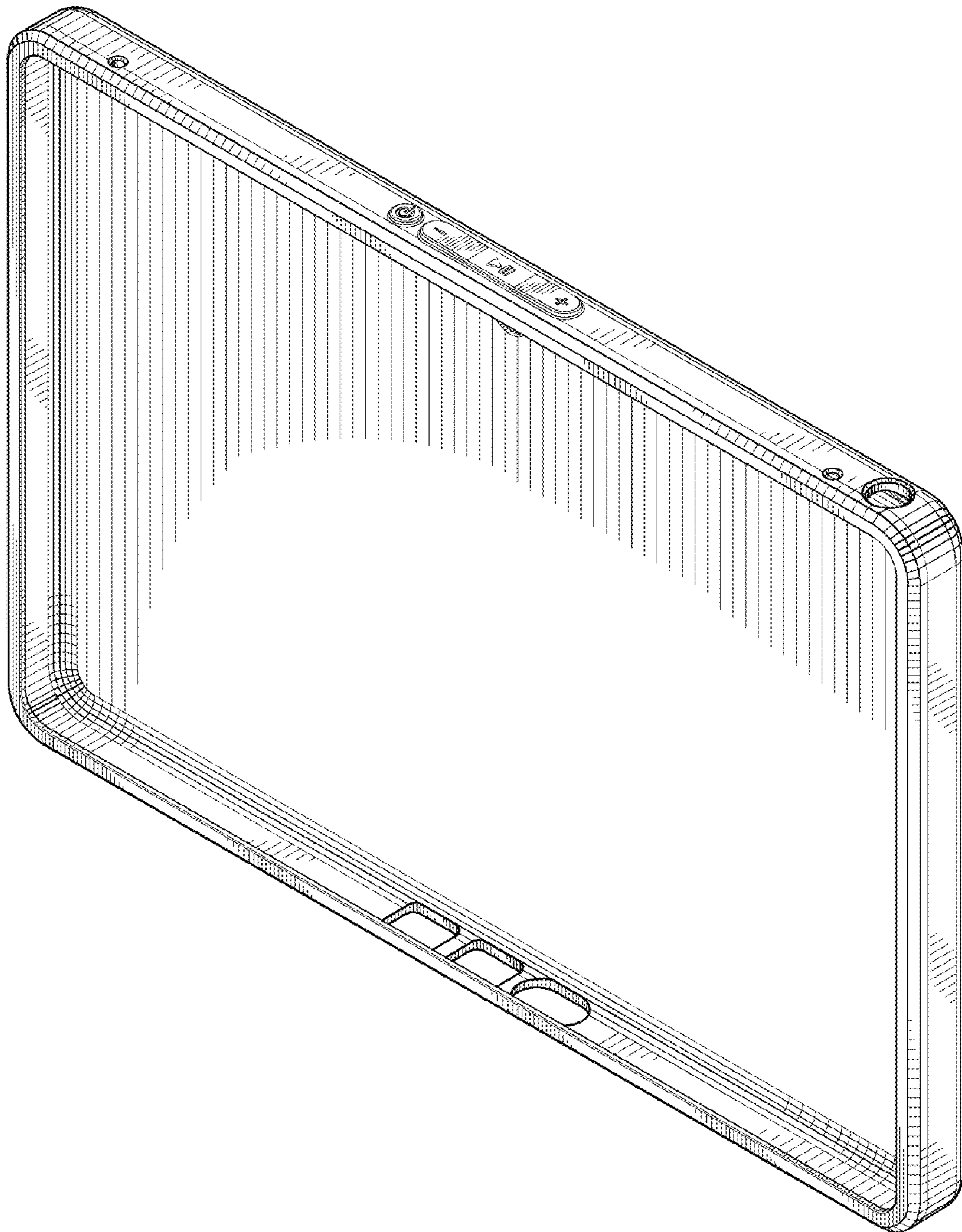


FIG. 1

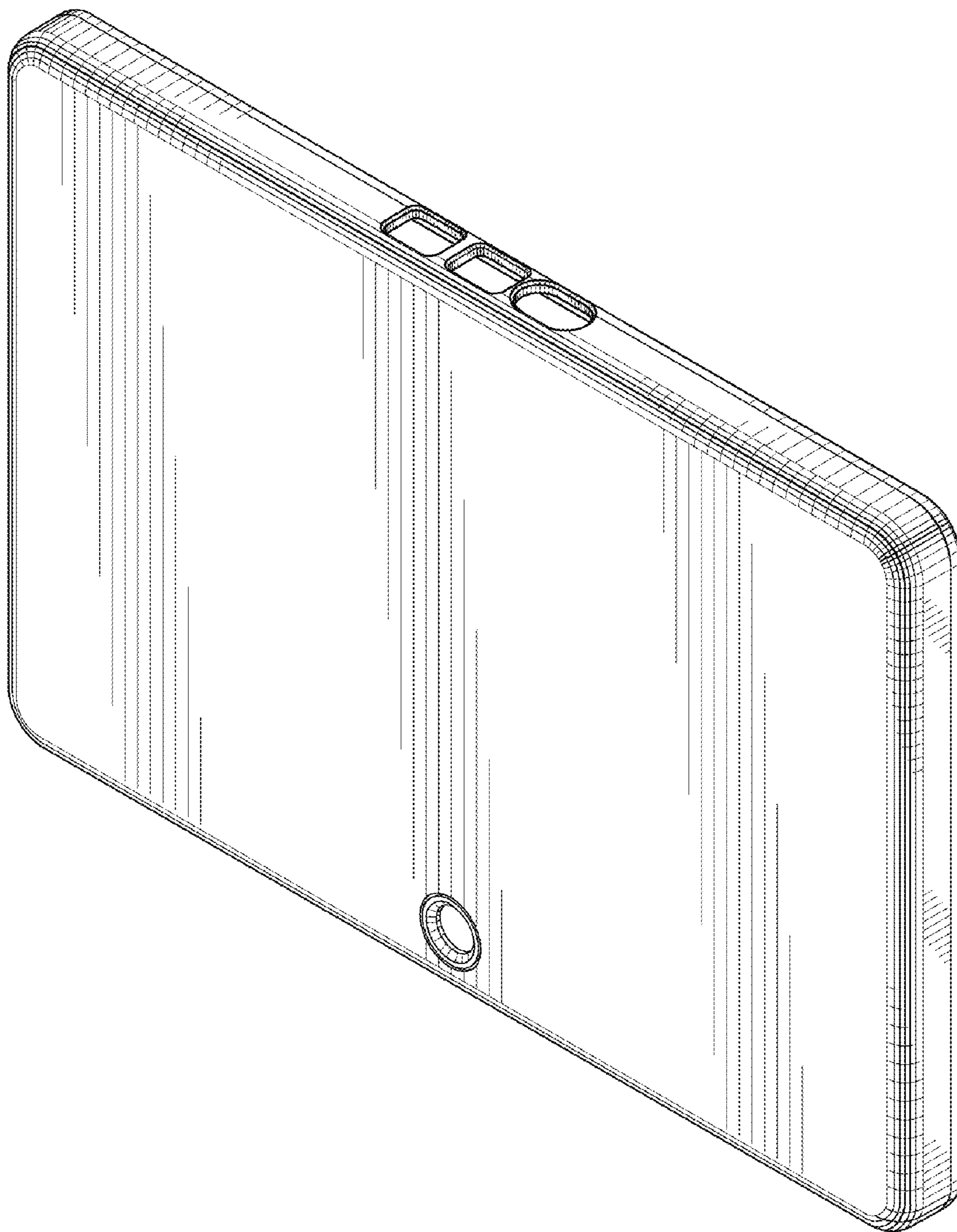


FIG.2

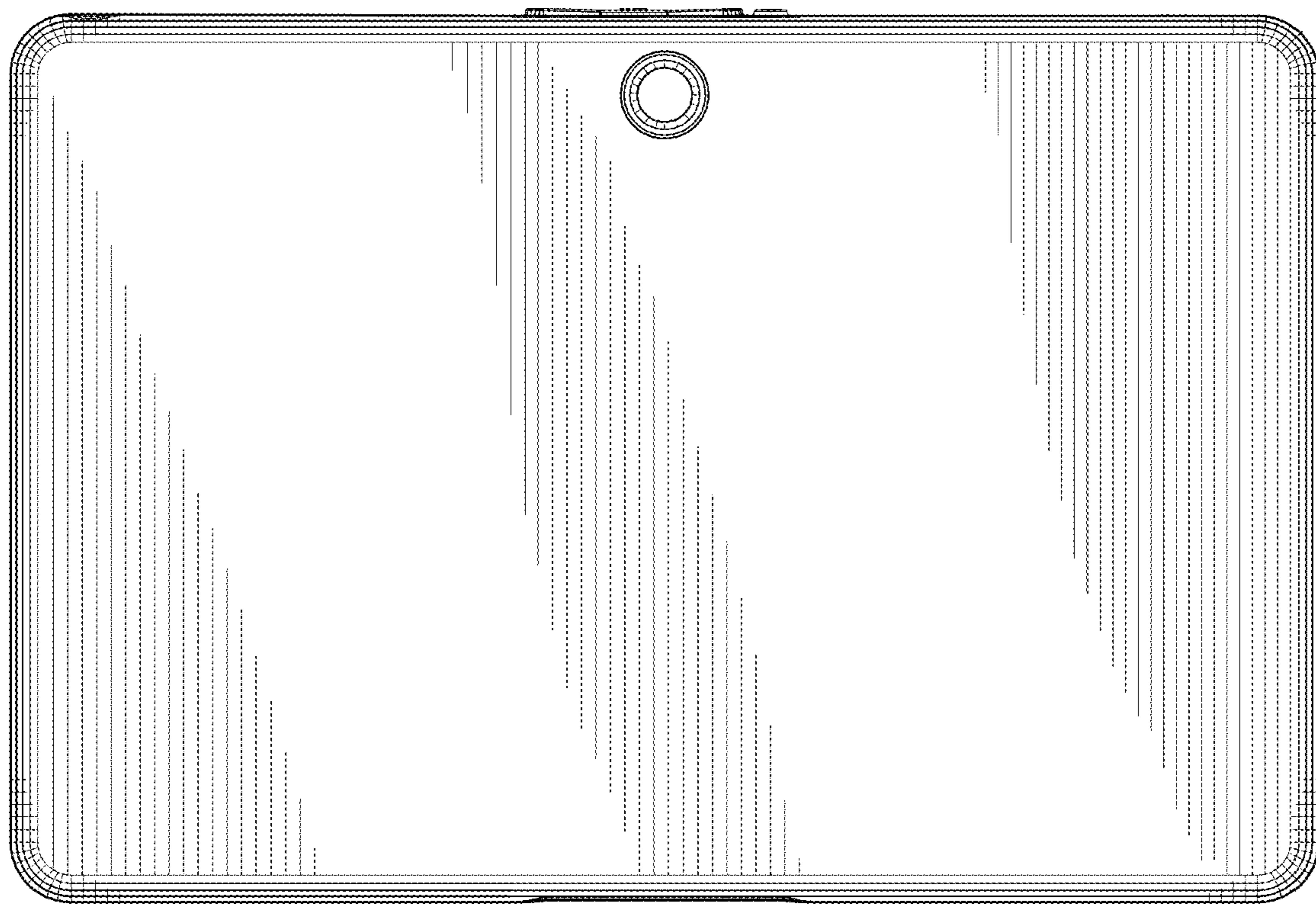


FIG.3



FIG.4

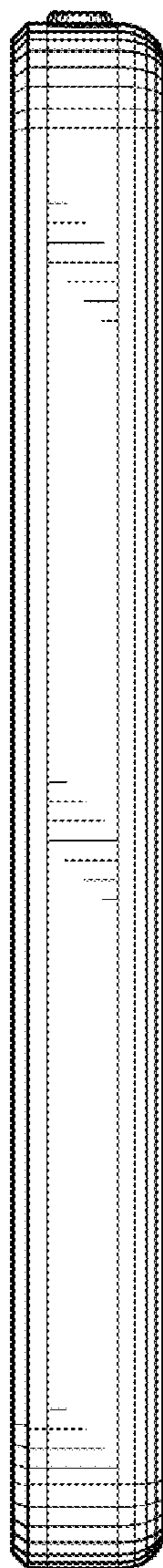


FIG. 5

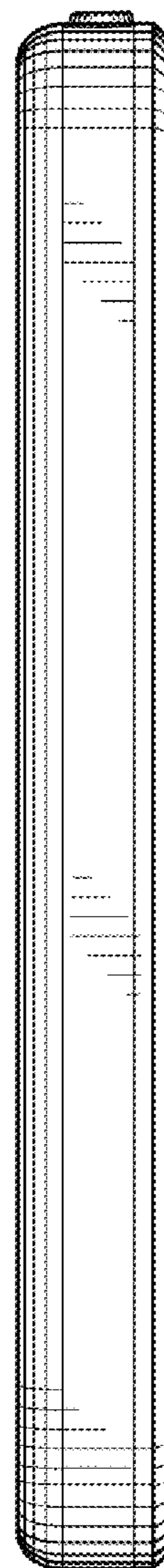


FIG. 6

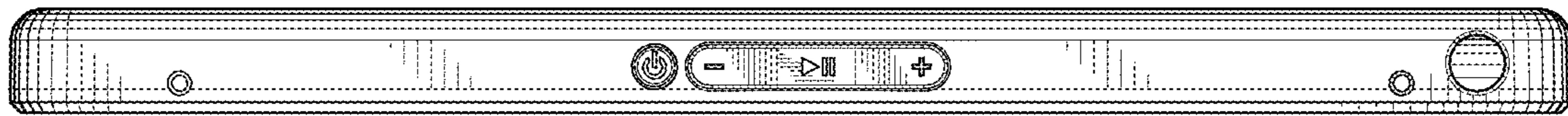


FIG. 7

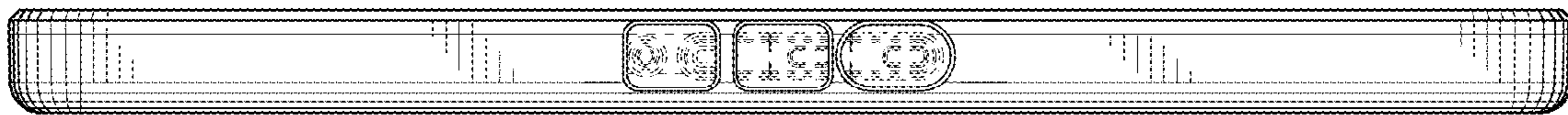


FIG. 8