



US00D677666S

(12) **United States Design Patent**  
**Akana et al.**

(10) **Patent No.:** **US D677,666 S**  
(45) **Date of Patent:** **\*\* \*Mar. 12, 2013**

- (54) **BACKPLATE OF AN ELECTRONIC DEVICE**
- (75) Inventors: **Jody Akana**, San Francisco, CA (US); **Bartley K. Andre**, Menlo Park, CA (US); **Jeremy Bataillou**, San Francisco, CA (US); **Daniel J. Coster**, San Francisco, CA (US); **Daniele De Iuliis**, San Francisco, CA (US); **Evans Hankey**, San Francisco, CA (US); **Richard P. Howarth**, San Francisco, CA (US); **Jonathan P. Ive**, San Francisco, CA (US); **Steve Jobs**, Palo Alto, CA (US); **Duncan Robert Kerr**, San Francisco, CA (US); **Nicholas George LeBreton Merz**, San Francisco, CA (US); **Pinida Jan Moonlsintong**, San Francisco, CA (US); **Scott A. Myers**, San Francisco, CA (US); **Shin Nishibori**, Portola Valley, CA (US); **Matthew Dean Rohrbach**, San Francisco, CA (US); **Peter Russell-Clarke**, San Francisco, CA (US); **Christopher J. Stringer**, Woodside, CA (US); **Tang Yew Tan**, San Francisco, CA (US); **Eugene Antony Whang**, San Francisco, CA (US); **Michael Benjamin Wittenberg**, Sunnyvale, CA (US); **Rico Zorkendorfer**, San Francisco, CA (US)
- (73) Assignee: **Apple Inc.**, Cupertino, CA (US)
- (\*) Notice: This patent is subject to a terminal disclaimer.
- (\*\*) Term: **14 Years**
- (21) Appl. No.: **29/384,915**
- (22) Filed: **Feb. 4, 2011**
- (51) **LOC (9) Cl.** ..... **14-04**
- (52) **U.S. Cl.** ..... **D14/439**
- (58) **Field of Classification Search** ..... D14/341-347, D14/424, 425, 432-453, 464, 468, 469, 471, D14/438, 496, 511, 138 AA, 138 AD, 138 C, D14/138 G, 203.1-203.8, 217, 238.1, 248, D14/250, 257, 299; 361/679.01, 679.02, 361/679.03, 679.3, 679.55, 679.56; 455/550.1, 455/556.1, 556.2, 575.1, 575.3-575.5, 575.8, 455/90.3

See application file for complete search history.

(56) **References Cited**

U.S. PATENT DOCUMENTS			
6,900,388	B2 *	5/2005	Wang et al. .... 174/359
D513,617	S *	1/2006	Tierney ..... D14/496
D557,239	S	12/2007	Lee
7,303,424	B2	12/2007	Tu et al.
D561,153	S	2/2008	Hong et al.
D569,830	S	5/2008	Kwak
D570,346	S	6/2008	Suk et al.
D574,819	S	8/2008	Andre et al.
D575,259	S	8/2008	Kim et al.
D580,387	S	11/2008	Andre et al.
D592,211	S	5/2009	Ichise et al.
D592,212	S	5/2009	Hamada et al.
D594,863	S	6/2009	Ichise et al.
D602,015	S	10/2009	Andre et al.

(Continued)

**OTHER PUBLICATIONS**

U.S. Appl. No. 29/363,173, Inventors Dinh et al., filed Jun. 5, 2010.

*Primary Examiner* — Deanna L Fluegeman

(74) *Attorney, Agent, or Firm* — Sterne, Kessler, Goldstein & Fox PLLC

(57) **CLAIM**

The ornamental design for a backplate of an electronic device, as shown and described.

**DESCRIPTION**

FIG. 1 is a bottom front perspective view of a backplate of an electronic device showing our new design;

FIG. 2 is a bottom rear perspective view thereof;

FIG. 3 is a front view thereof;

FIG. 4 is a rear view thereof;

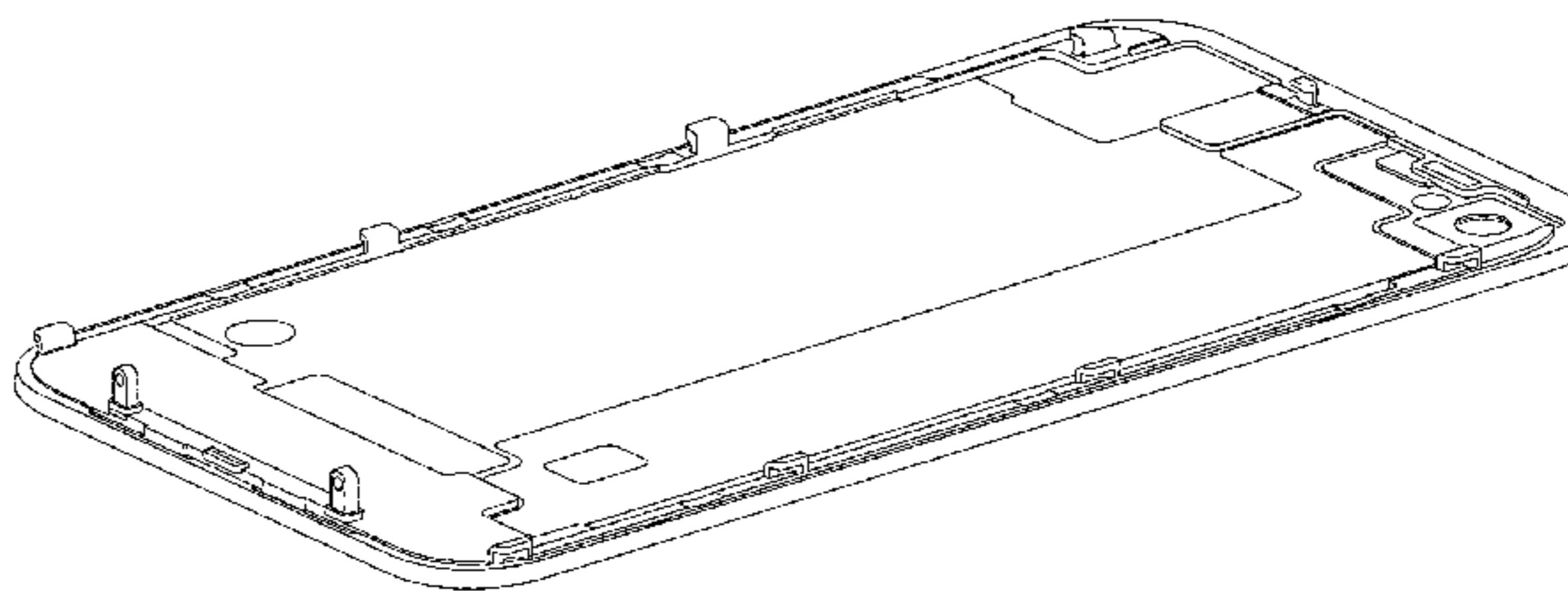
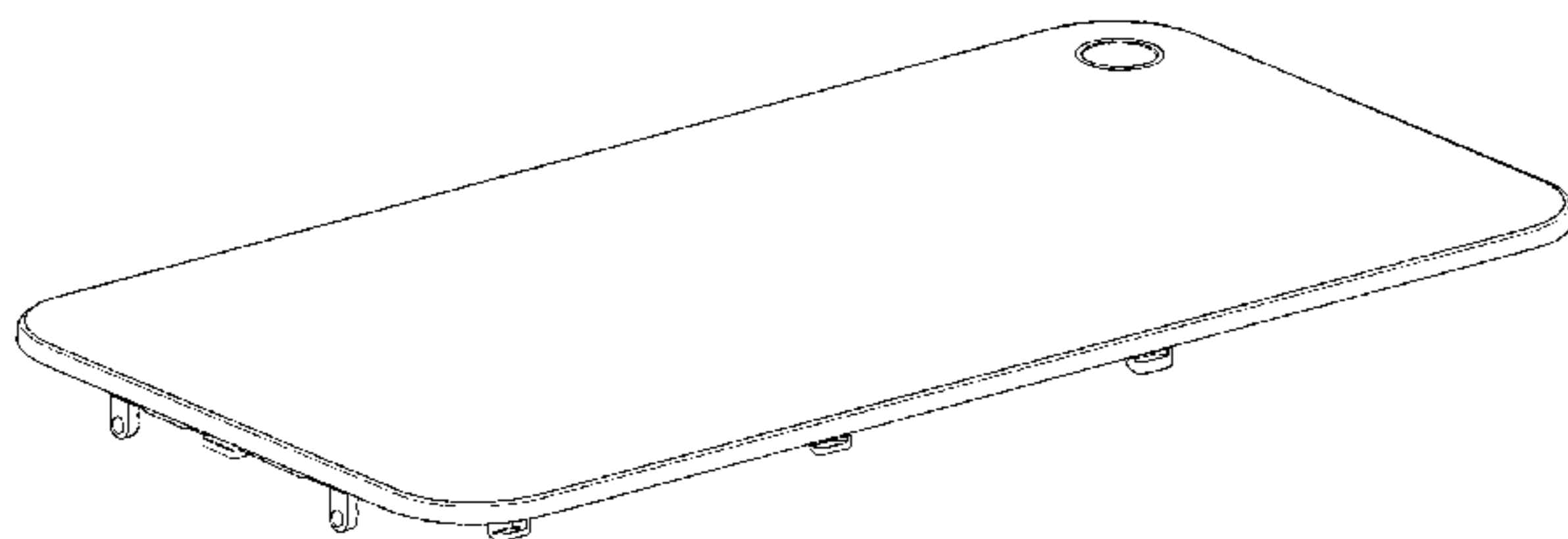
FIG. 5 is a top view thereof;

FIG. 6 is a bottom view thereof;

FIG. 7 is a right side view thereof; and,

FIG. 8 is a left side view thereof.

**1 Claim, 6 Drawing Sheets**



# US D677,666 S

Page 2

## U.S. PATENT DOCUMENTS

7,660,560 B2	2/2010	Zuo et al.	
D617,792 S	6/2010	Andre et al.	
D619,361 S	7/2010	Andre et al.	
D622,718 S	8/2010	Andre et al.	
D622,719 S	8/2010	Andre et al.	
D624,304 S *	9/2010	Danze et al.	D3/201
D624,536 S	9/2010	Andre et al.	
D627,778 S	11/2010	Akana et al.	
D629,387 S *	12/2010	Lee	D14/203.7
D629,787 S *	12/2010	Lee	D14/203.7
D629,788 S *	12/2010	Lee	D14/203.7
7,869,206 B2	1/2011	Dabov et al.	
D633,493 S *	3/2011	Akana et al.	D14/341
D636,392 S *	4/2011	Akana et al.	D14/341
D638,835 S *	5/2011	Akana et al.	D14/341
D639,805 S *	6/2011	Song et al.	D14/341
D640,646 S *	6/2011	Wu et al.	D14/125
8,014,135 B2 *	9/2011	Yu	361/679.01
D647,519 S *	10/2011	Rothbaum et al.	D14/250
D649,539 S *	11/2011	Hong	D14/250
D652,015 S *	1/2012	Han	D14/138 AA
8,102,319 B2 *	1/2012	Schlub et al.	343/702
D653,640 S *	2/2012	Kwon et al.	D14/138 G
2006/0139856 A1 *	6/2006	Liu et al.	361/600
2006/0281501 A1 *	12/2006	Zuo et al.	455/575.1
2007/0082718 A1	4/2007	Yoon et al.	
2008/0316121 A1	12/2008	Hobson et al.	
2009/0067141 A1	3/2009	Dabov et al.	
2010/0105452 A1	4/2010	Shin et al.	
2011/0151945 A1 *	6/2011	Jiang et al.	455/575.1
2011/0255218 A1 *	10/2011	Pakula et al.	361/679.01
2012/0002352 A1 *	1/2012	Hsiung	361/679.01
2012/0009974 A1 *	1/2012	Sunderland	455/550.1
2012/0073115 A1 *	3/2012	Filson et al.	29/592.1
2012/0086648 A1 *	4/2012	Leung	345/173
2012/0087066 A1 *	4/2012	Leggett	361/679.01

\* cited by examiner

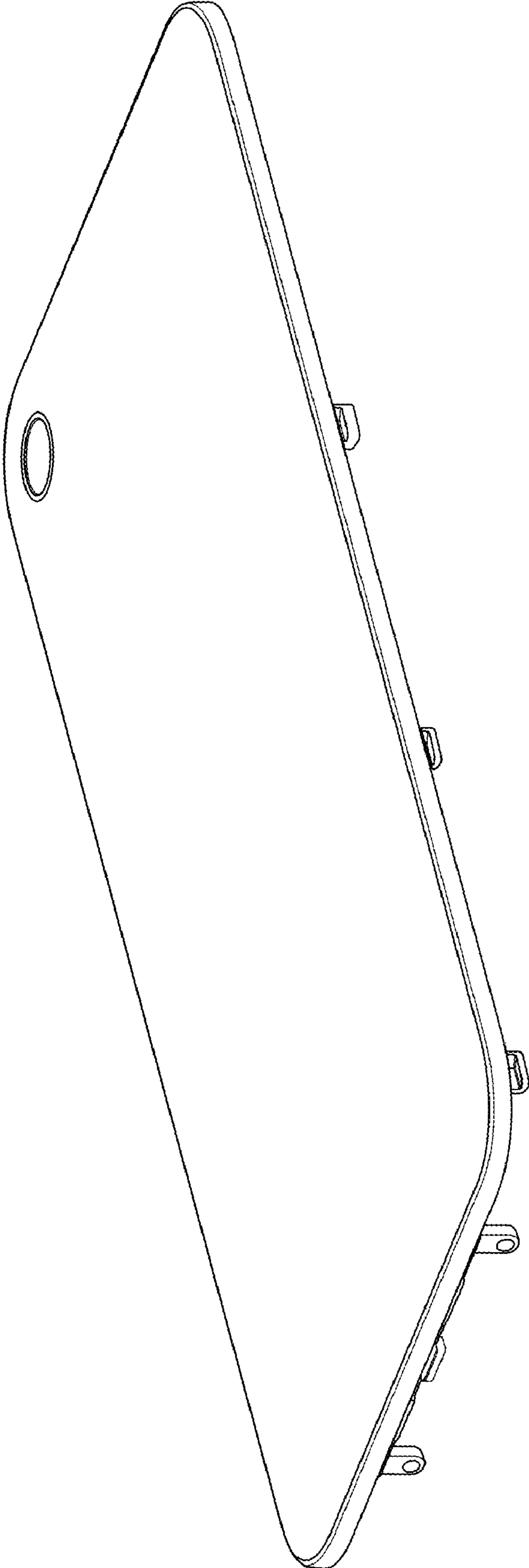


FIG. 1

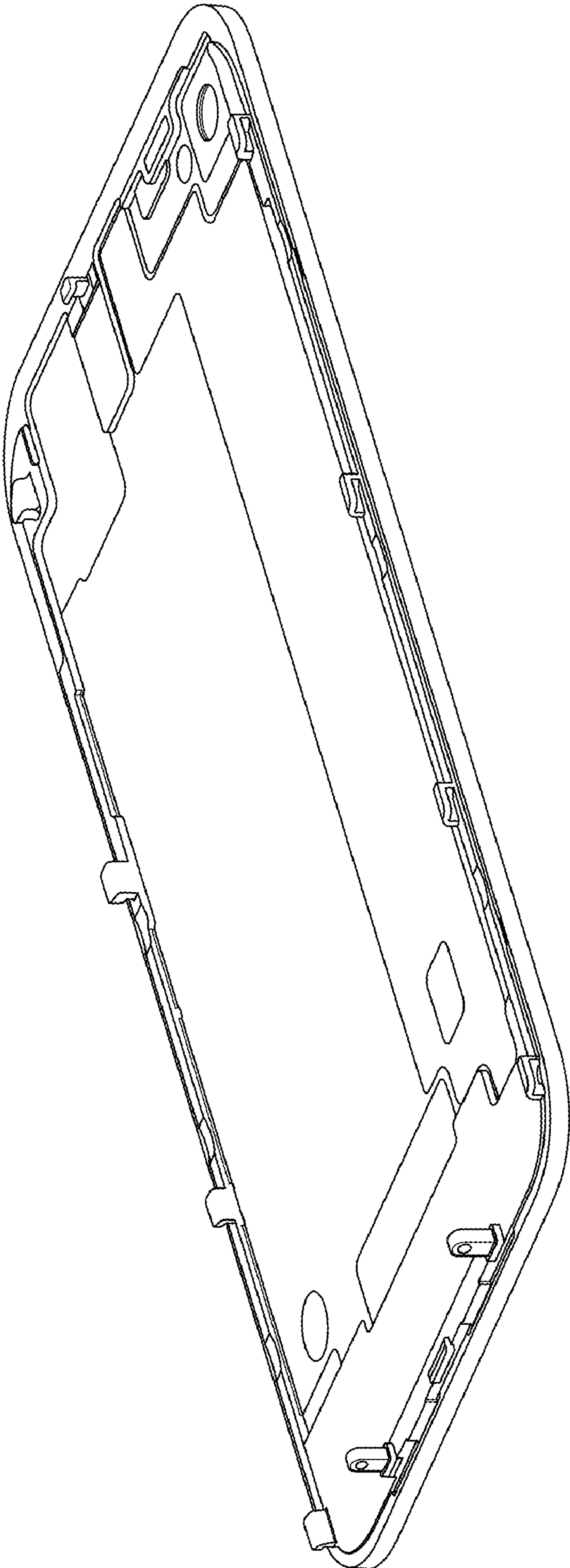
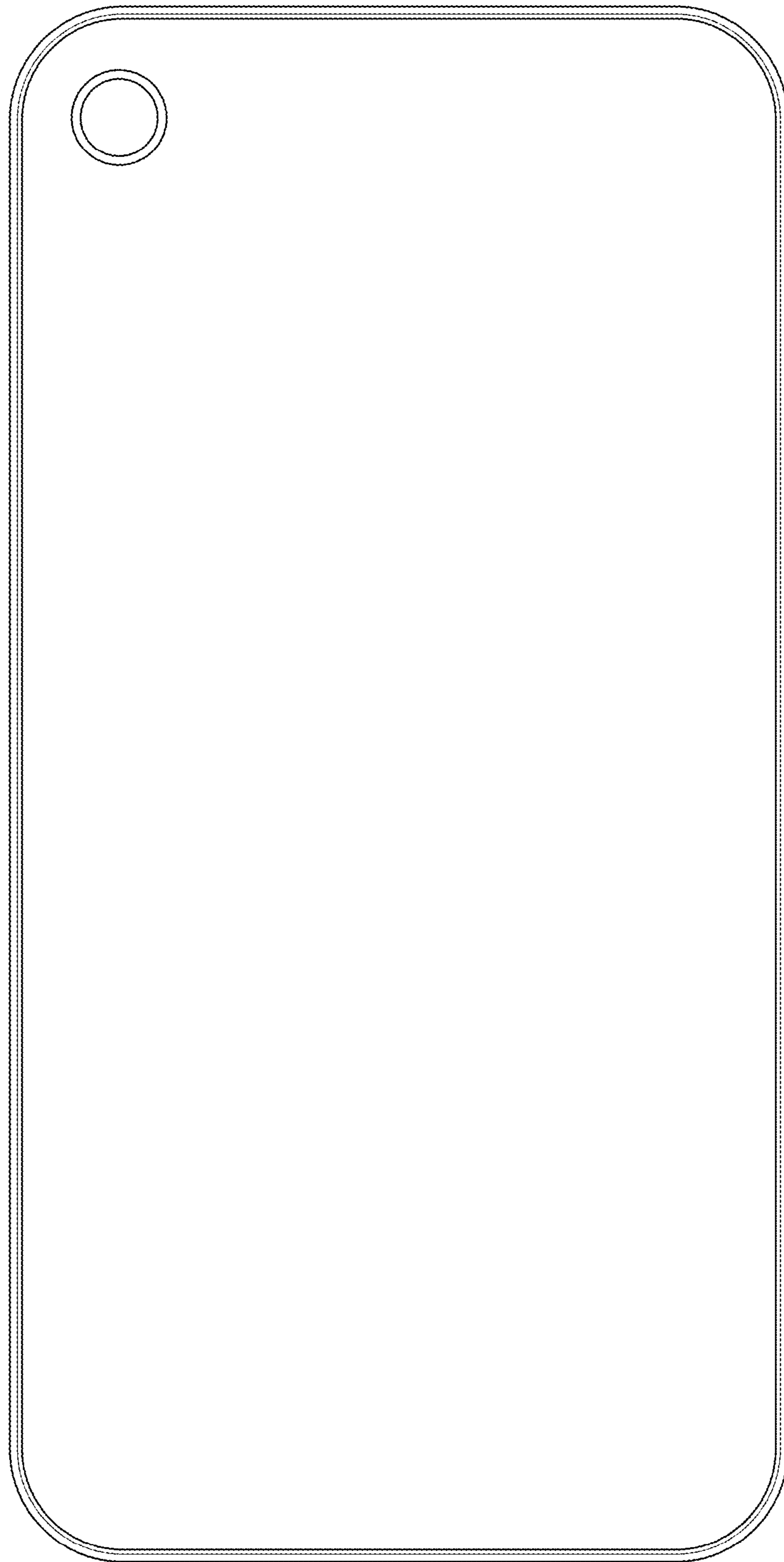


FIG. 2



**FIG. 3**

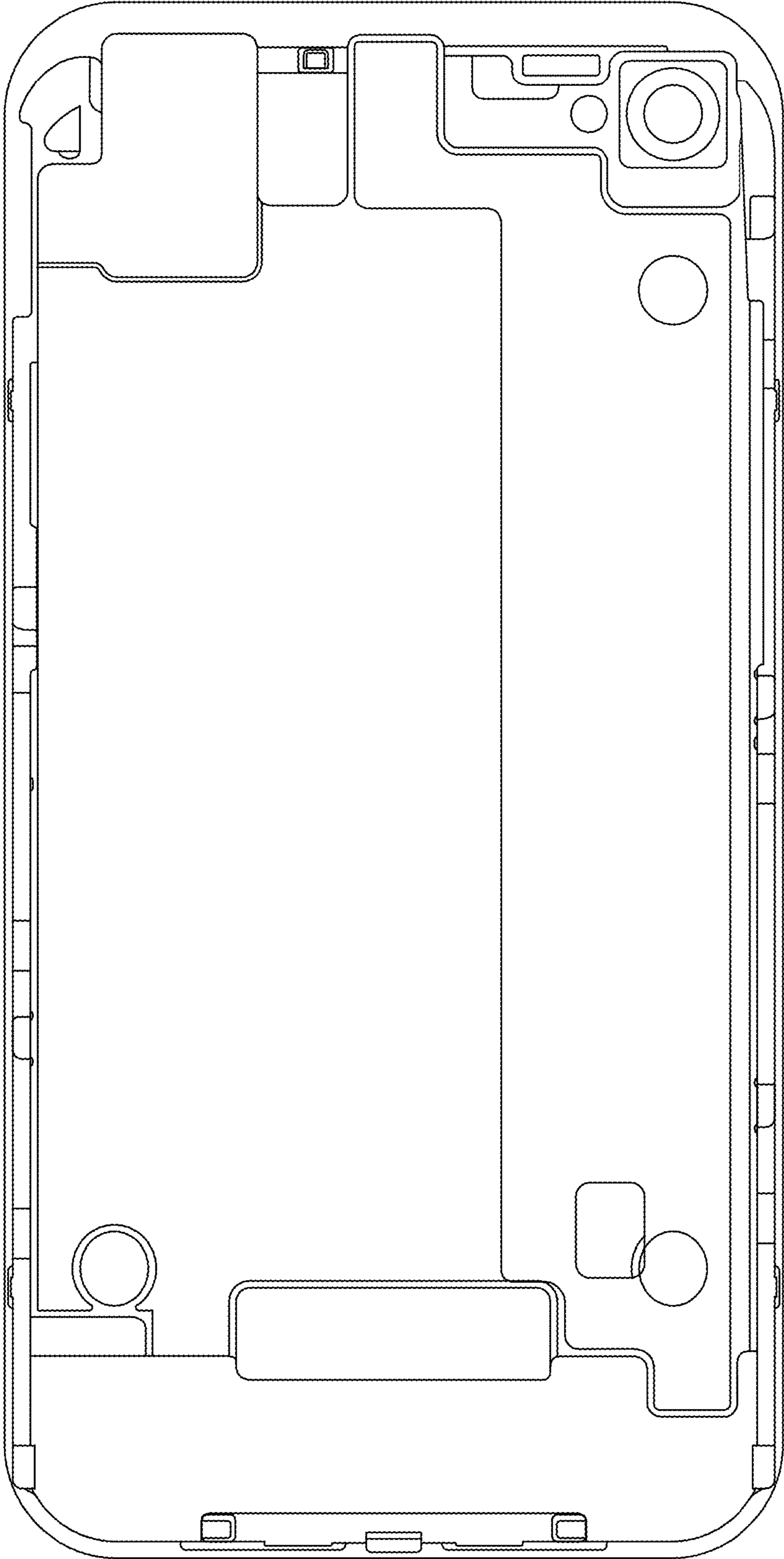
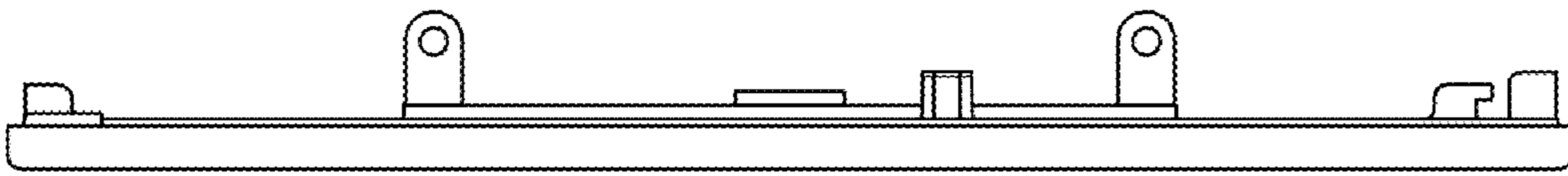
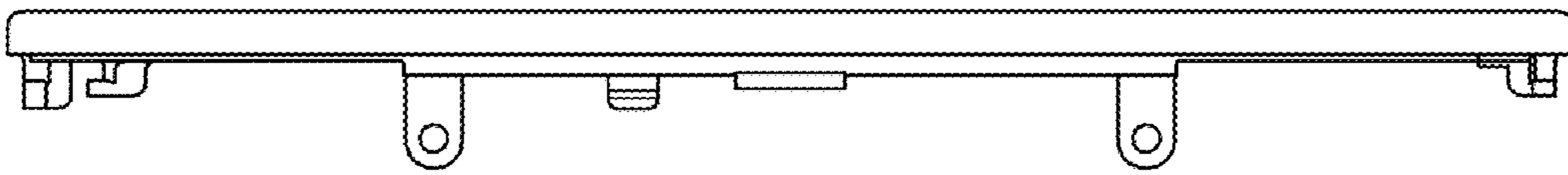


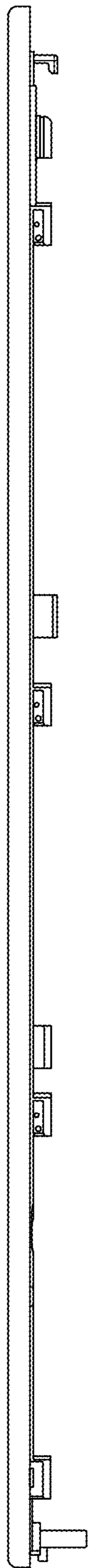
FIG. 4



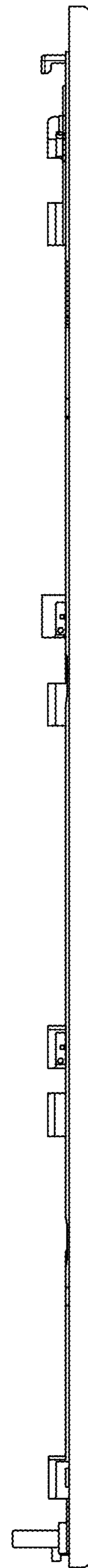
**FIG. 5**



**FIG. 6**



**FIG. 7**



**FIG. 8**