



US00D677664S

(12) **United States Design Patent**
Akana et al.

(10) **Patent No.:** **US D677,664 S**
(45) **Date of Patent:** **** Mar. 12, 2013**

(54) **COMPONENT OF AN ELECTRONIC DEVICE**

(75) Inventors: **Jody Akana**, San Francisco, CA (US);
Bartley K. Andre, Menlo Park, CA (US);
Jeremy Bataillou, San Francisco, CA (US);
Daniel J. Coster, San Francisco, CA (US);
Daniele De Iuliis, San Francisco, CA (US);
Richard Hung Minh Dinh, San Jose, CA (US);
Evans Hankey, San Francisco, CA (US);
Richard P. Howarth, San Francisco, CA (US);
Jonathan P. Ive, San Francisco, CA (US);
Steve Jobs, Palo Alto, CA (US);
Duncan Robert Kerr, San Francisco, CA (US);
Nicholas George LeBreton Merz, San Francisco, CA (US);
Scott A. Myers, San Francisco, CA (US);
Shin Nishibori, Portola Valley, CA (US);
David A. Pakula, San Francisco, CA (US);
Matthew Dean Rohrbach, San Francisco, CA (US);
Peter Russell-Clarke, San Francisco, CA (US);
Christopher J. Stringer, Woodside, CA (US);
Tang Yew Tan, San Francisco, CA (US);
Trent Weber, Saratoga, CA (US);
Eugene Antony Whang, San Francisco, CA (US);
Michael Benjamin Wittenberg, Sunnyvale, CA (US);
Rico Zorkendorfer, San Francisco, CA (US)

(73) Assignee: **Apple Inc.**, Cupertino, CA (US)

(**) Term: **14 Years**

(21) Appl. No.: **29/376,052**

(22) Filed: **Sep. 30, 2010**

(51) **LOC (9) Cl.** **14-02**

(52) **U.S. Cl.** **D14/439**

(58) **Field of Classification Search** D14/341-347,
D14/424, 425, 432-453, 464, 468, 469, 471,
D14/496, 511, 138 AA, 138 AD, 138 C, 138 G,
D14/203.1-203.8, 217, 238.1, 248, 250, 257,

D14/299; 361/679.01, 679.02, 679.03, 679.3,
361/679.55, 679.56; 455/550.1, 556.1, 556.2,
455/575.1, 575.3-575.5, 575.8, 90.3

See application file for complete search history.

(56) **References Cited**

U.S. PATENT DOCUMENTS

D270,061 S 8/1983 Akeret
(Continued)

FOREIGN PATENT DOCUMENTS

EM 000910591-0001 3/2008
(Continued)

OTHER PUBLICATIONS

Co-pending U.S. Appl. No. 29/384,916, Akana et al., "Component of an Electronic Device," filed Feb. 4, 2011 (not published).

Primary Examiner — Deanna L Fluegeman

(74) *Attorney, Agent, or Firm* — Sterne, Kessler, Goldstein & Fox PLLC

(57) **CLAIM**

The ornamental design for a component of an electronic device, as shown and described.

DESCRIPTION

An example of the type of device that may incorporate the present invention is the electronic device disclosed in U.S. Appl. No. 29/360,036.

FIG. 1 is a bottom front perspective view of a component of an electronic device showing our new design;

FIG. 2 is a front view thereof;

FIG. 3 is a rear view thereof;

FIG. 4 is a top view thereof;

FIG. 5 is a bottom view thereof;

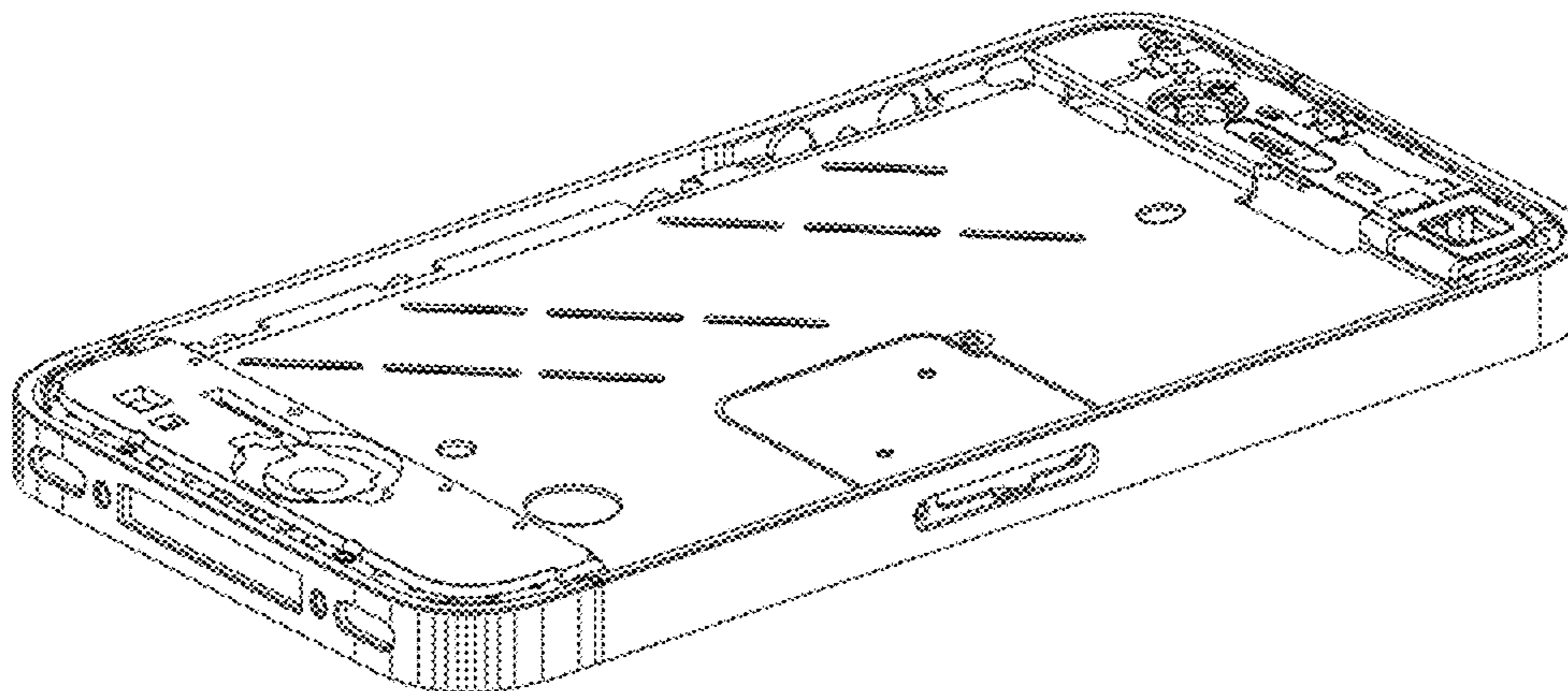
FIG. 6 is a left side view thereof; and,

FIG. 7 is a right side view thereof.

The shade lines in the Figures indicate contour and not surface ornamentation.

The broken lines in the Figures show portions of the component of an electronic device which form no part of the claimed design.

1 Claim, 5 Drawing Sheets



US D677,664 S

Page 2

U.S. PATENT DOCUMENTS

D300,831 S 4/1989 Jenkins et al.
D332,328 S 1/1993 Lombardi, Jr.
D384,942 S * 10/1997 Vinuela D14/346
D410,440 S 6/1999 Carnell
D420,354 S * 2/2000 Morales D14/191
D469,413 S 1/2003 To et al.
D494,165 S * 8/2004 Yokota D14/341
D513,617 S 1/2006 Tierney
D515,541 S 2/2006 Jensfelt
D535,281 S 1/2007 Yang
D539,815 S 4/2007 Lai et al.
D558,460 S 1/2008 Yu et al.
D558,726 S 1/2008 Wang et al.
D560,227 S * 1/2008 Bennett et al. D14/496
D562,285 S 2/2008 Lim
D567,819 S 4/2008 Devericks et al.
D569,629 S 5/2008 Yu et al.
D569,837 S 5/2008 Baik et al.
D583,346 S 12/2008 Jung et al.
D583,796 S 12/2008 Tanaka
D584,272 S 1/2009 Chung et al.
D584,738 S 1/2009 Kim et al.
7,554,812 B2 * 6/2009 Lynch et al. 361/736
D598,887 S 8/2009 Xiao et al.
D601,530 S 10/2009 Park et al.
D603,834 S 11/2009 Lyman et al.
D606,988 S * 12/2009 Andre et al. D14/315
D610,123 S * 2/2010 Youn et al. D14/138 AA
7,660,560 B2 * 2/2010 Zuo et al. 455/90.3
D618,194 S * 6/2010 Kim et al. D14/138 AA
D623,161 S * 9/2010 Kwon et al. D14/138 AA
D626,437 S * 11/2010 Lee et al. D10/65
D627,777 S * 11/2010 Akana et al. D14/341
D627,778 S * 11/2010 Akana et al. D14/341
D629,787 S * 12/2010 Lee D14/203.7
D629,788 S * 12/2010 Lee D14/203.7
D630,181 S * 1/2011 Xiao D14/138 AA
D631,051 S * 1/2011 DeFronzo D14/434
D631,454 S * 1/2011 Cui D14/138 AA
7,876,274 B2 * 1/2011 Hobson et al. 343/702
D633,493 S 3/2011 Akana et al.
7,911,774 B2 * 3/2011 Nakanishi et al. 361/679.21
D636,392 S * 4/2011 Akana et al. D14/341
D636,770 S * 4/2011 Li D14/341
7,933,123 B2 * 4/2011 Wang et al. 361/679.56
D637,596 S * 5/2011 Akana et al. D14/341

D637,988 S * 5/2011 Jinkinson D14/138 AA
D638,835 S * 5/2011 Akana et al. D14/341
D641,017 S * 7/2011 Meng D14/341
D647,519 S * 10/2011 Rothbaum et al. D14/250
D652,015 S * 1/2012 Han D14/138 AA
8,090,408 B2 * 1/2012 Ochi et al. 455/558
D653,645 S * 2/2012 Park D14/138 G
D654,497 S * 2/2012 Lee D14/341
D655,701 S * 3/2012 Bruette D14/250
D656,134 S * 3/2012 Melville et al. D14/250
D659,132 S * 5/2012 Wen D14/250
D671,109 S * 11/2012 Rothbaum et al. D14/250
D671,930 S * 12/2012 Akana et al. D14/250
2006/0094464 A1 5/2006 Kyou et al.
2006/0281501 A1 * 12/2006 Zuo et al. 455/575.1
2009/0067141 A1 * 3/2009 Dabov et al. 361/753
2009/0219259 A1 * 9/2009 Kwon 345/173
2009/0247244 A1 10/2009 Mittleman et al.
2009/0256759 A1 * 10/2009 Hill et al. 343/702
2009/0315690 A1 12/2009 Hwang et al.
2010/0061055 A1 * 3/2010 Dabov et al. 361/679.56
2011/0050560 A1 * 3/2011 Foster et al. 345/107
2011/0151945 A1 * 6/2011 Jiang et al. 455/575.1
2011/0186325 A1 * 8/2011 Myers et al. 174/50
2011/0188179 A1 * 8/2011 Myers et al. 361/679.01
2011/0255218 A1 * 10/2011 Pakula et al. 361/679.01
2011/0255252 A1 * 10/2011 Sloey et al. 361/752
2011/0310029 A1 * 12/2011 Uttermann et al. 345/173
2012/0008266 A1 * 1/2012 Nomura 361/679.01
2012/0009974 A1 * 1/2012 Sunderland 455/550.1
2012/0044123 A1 * 2/2012 Rothkopf et al. 343/878
2012/0044637 A1 * 2/2012 Rothkopf et al. 361/679.55
2012/0048589 A1 * 3/2012 Jol 174/59
2012/0073115 A1 * 3/2012 Filson et al. 29/592.1
2012/0099253 A1 * 4/2012 Tang et al. 361/679.01

FOREIGN PATENT DOCUMENTS

EM	000938071-0001	5/2008
EM	000939731-0001	6/2008
EM	000569157-0005	9/2008
EM	001183461-0002	12/2009
JP	132490	12/2009
KR	30-0418547	7/2006
KR	30-0550428	1/2010
KR	30-0553546	2/2010

* cited by examiner

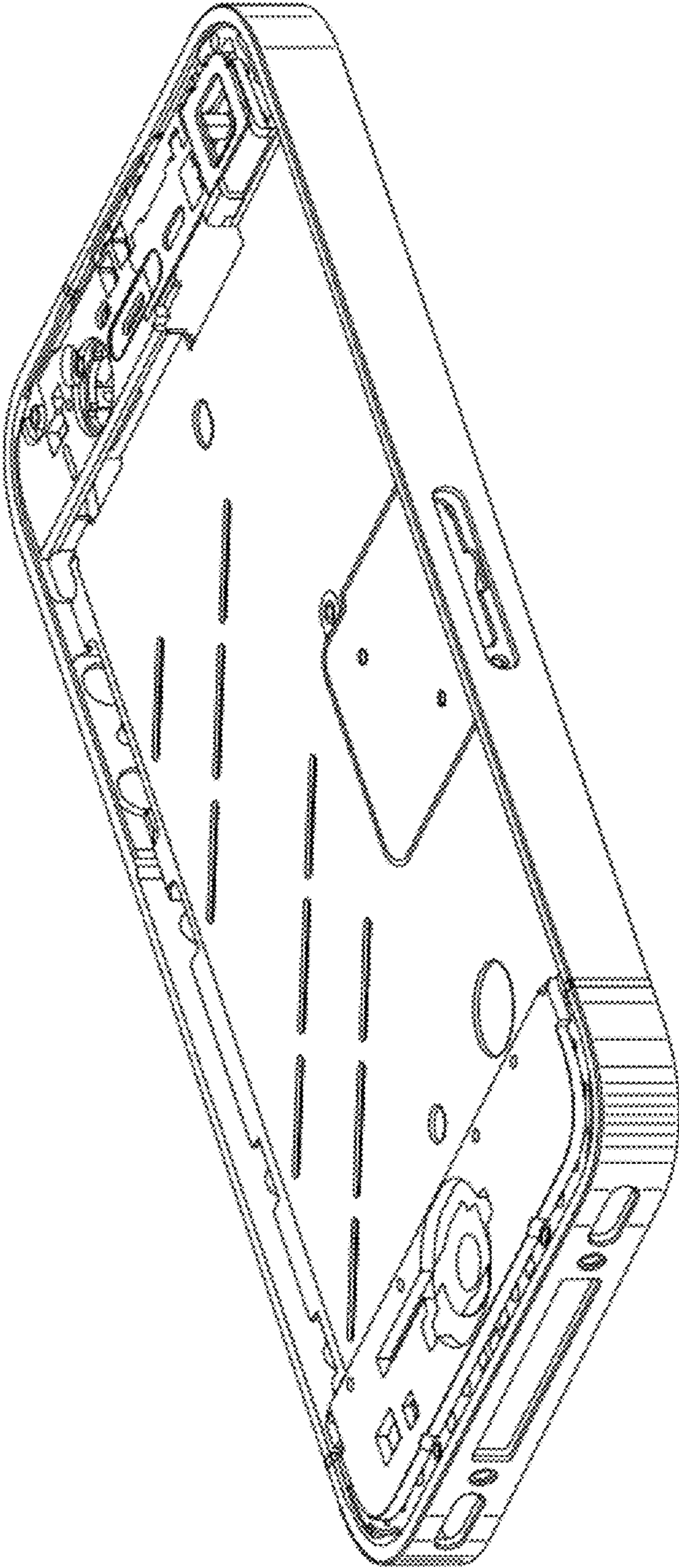


FIG. 1

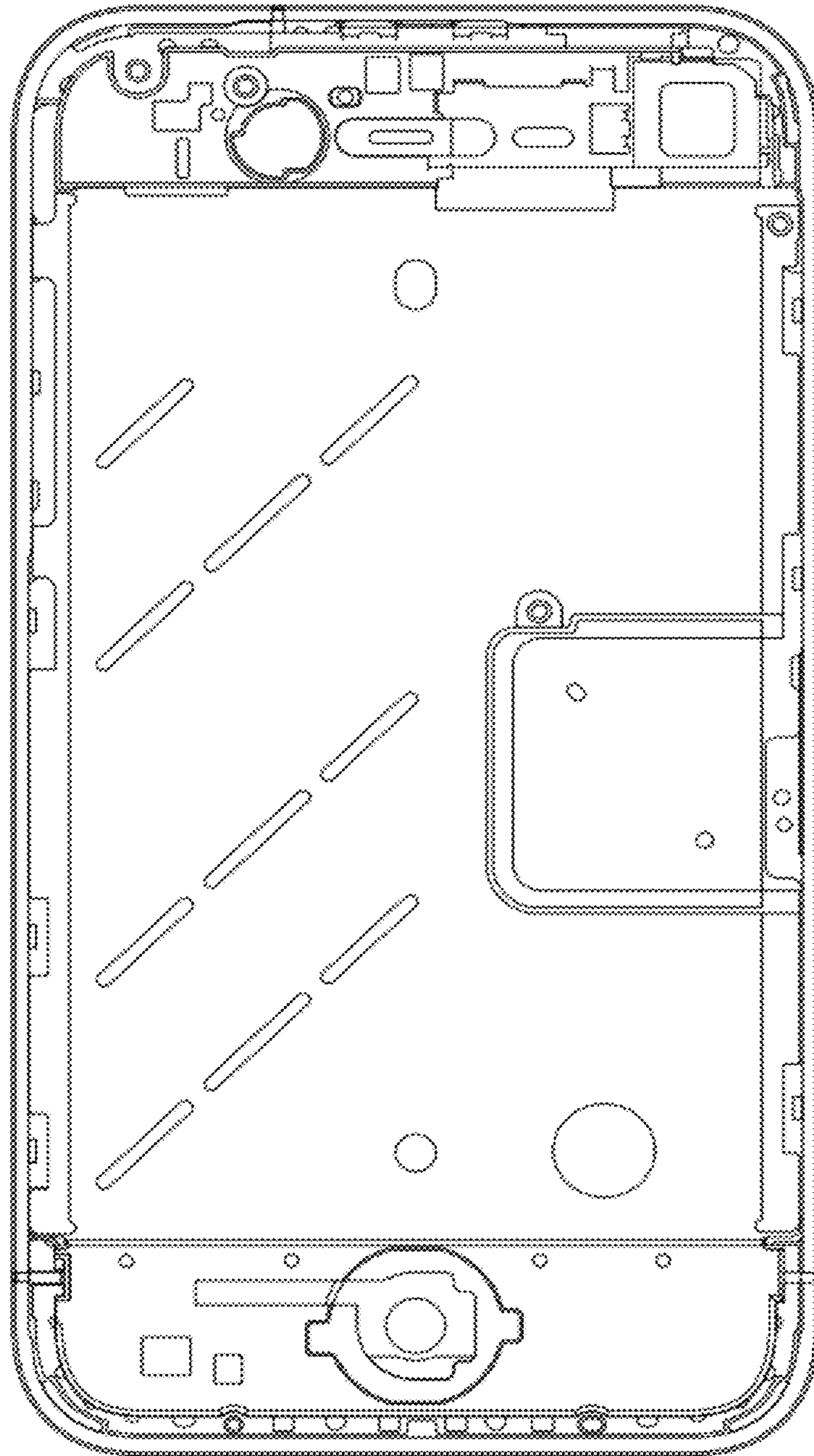


FIG. 2

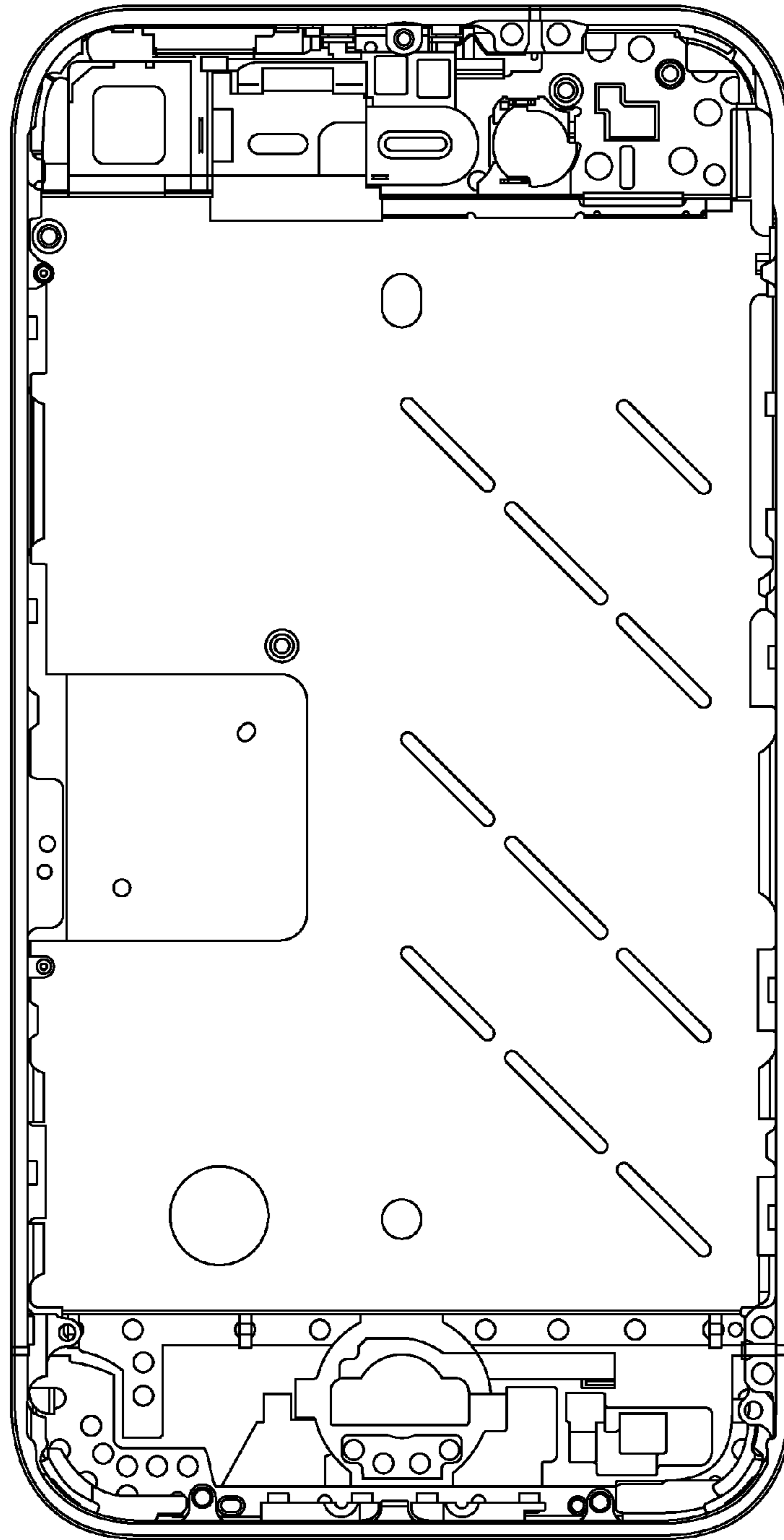


FIG. 3



FIG. 4

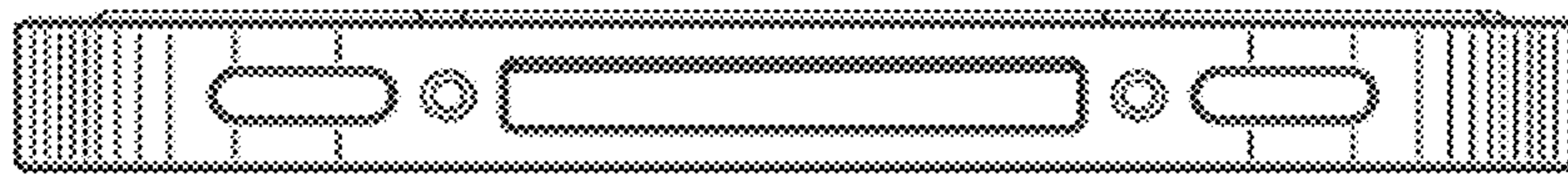


FIG. 5

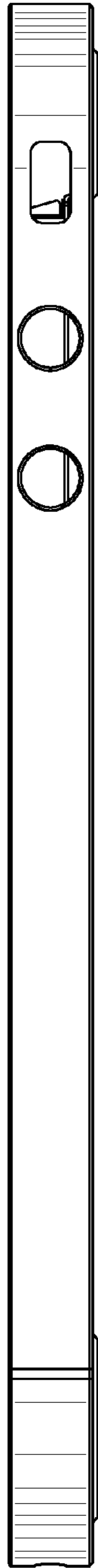


FIG. 6

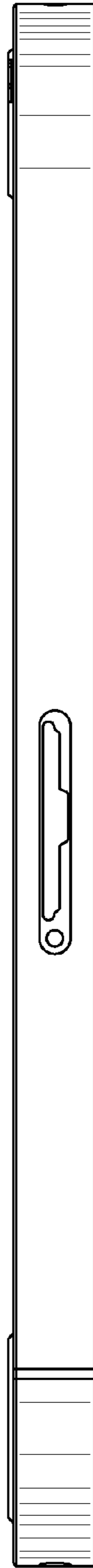


FIG. 7