



US00D677662S

(12) **United States Design Patent**
Mochizuki et al.

(10) **Patent No.:** **US D677,662 S**
(45) **Date of Patent:** **** Mar. 12, 2013**

(54) **DISPLAY**

(75) Inventors: **Yoshihito Mochizuki**, Tokyo (JP);
Chin-Jen Lin, Taipei (TW)

(73) Assignee: **NEC Display Solutions, Ltd.**, Tokyo
(JP)

(**) Term: **14 Years**

(21) Appl. No.: **29/416,200**

(22) Filed: **Mar. 20, 2012**

(51) **LOC (9) Cl.** **14-02**

(52) **U.S. Cl.** **D14/375**

(58) **Field of Classification Search** D14/371-376,
D14/125-129, 336, 337; 341/12; 345/104,
345/156, 168, 173; 348/180, 184, 325, 739;
349/1, 2, 11, 62; 361/679.05-679.07, 679.21;
D6/300, 308

See application file for complete search history.

(56) **References Cited**

U.S. PATENT DOCUMENTS

D419,141	S *	1/2000	Evanicky et al.	D14/376
6,807,051	B2 *	10/2004	Takahashi	361/679.23
D517,549	S *	3/2006	Depay	D14/375
D550,222	S *	9/2007	Park	D14/375
D597,505	S *	8/2009	Hirasawa et al.	D14/126
D604,735	S *	11/2009	Hirasawa et al.	D14/375
2006/0076463	A1 *	4/2006	Drew	248/121
2009/0008518	A1 *	1/2009	Shen	248/122.1
2009/0016006	A1 *	1/2009	Stothers	361/681

* cited by examiner

Primary Examiner — Freda S Nunn

(74) *Attorney, Agent, or Firm* — Sughrue Mion, PLLC

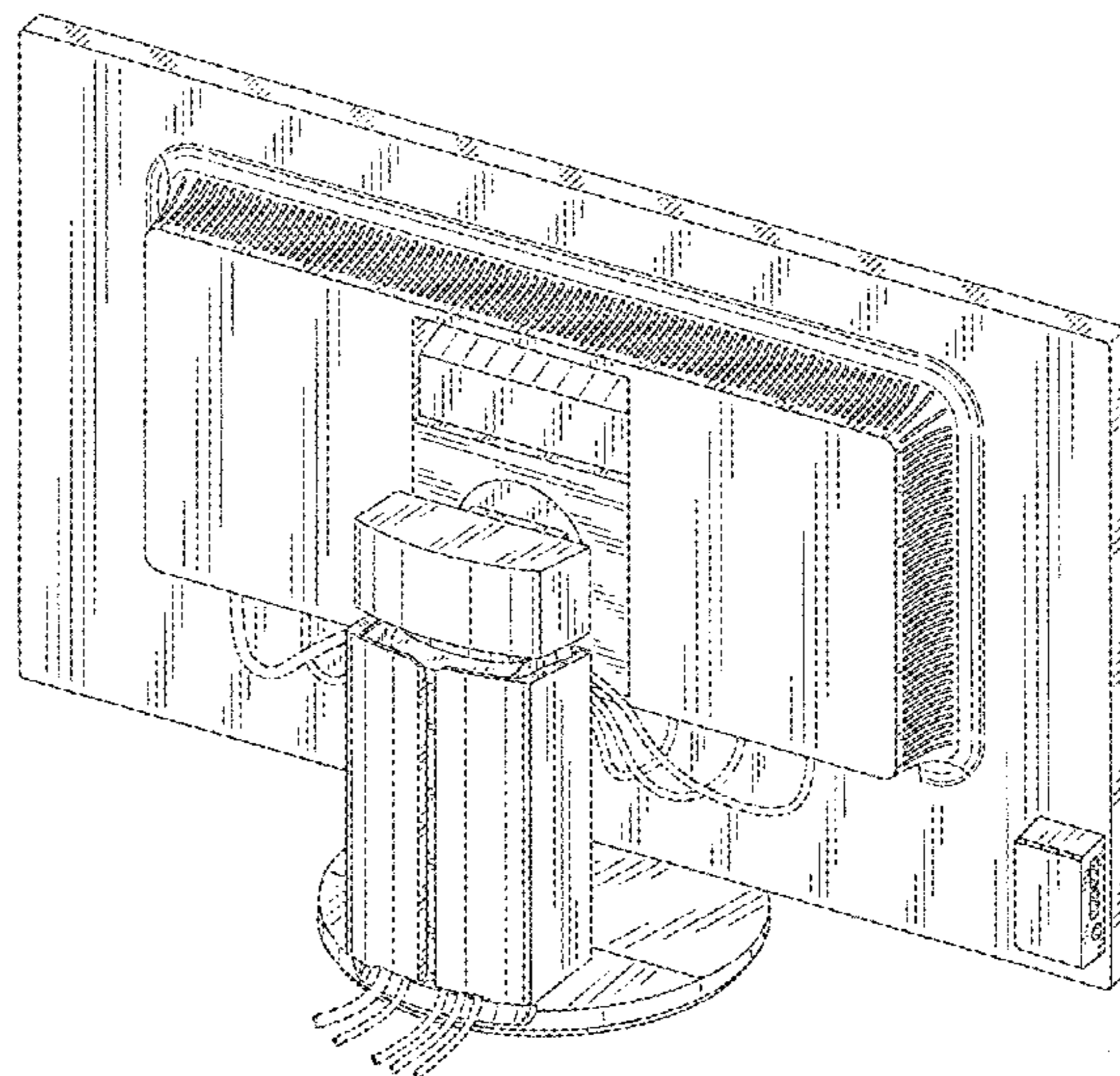
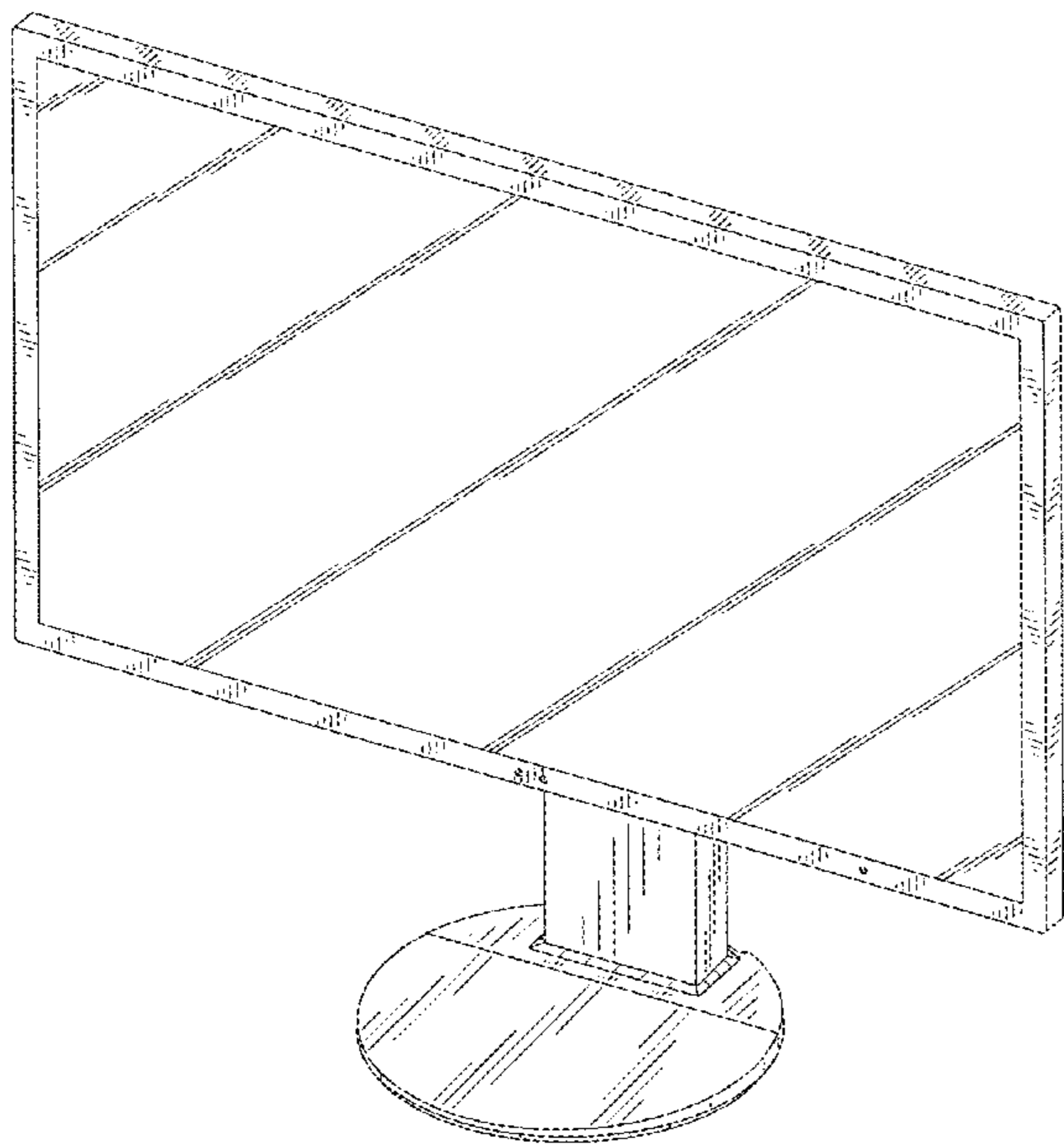
(57) **CLAIM**

The ornamental design for a display, as shown and described.

DESCRIPTION

FIG. 1 is a rear, left side, top perspective view of a display showing our new design;
 FIG. 2 is a front elevational view thereof;
 FIG. 3 is a rear elevational view thereof;
 FIG. 4 is a left side elevational view thereof;
 FIG. 5 is a right side elevational view thereof;
 FIG. 6 is a top plan elevational view thereof;
 FIG. 7 is a bottom plan elevational view thereof;
 FIG. 8 is a front, right side, top perspective view thereof;
 FIG. 9 is another left side elevational view thereof, indicating a cutting area by arrows in broken line;
 FIG. 10 is a cross-sectional view thereof, taken along line 10-10 of FIG. 9;
 FIG. 11 is a front, right side, top perspective view thereof, showing a state in which a leg part is extended; and,
 FIG. 12 is another rear perspective view thereof, showing a state in which electrical cords are bundled.
 Broken lines shown in the drawings illustrate portions of the display and form no part of the claimed design.

1 Claim, 10 Drawing Sheets



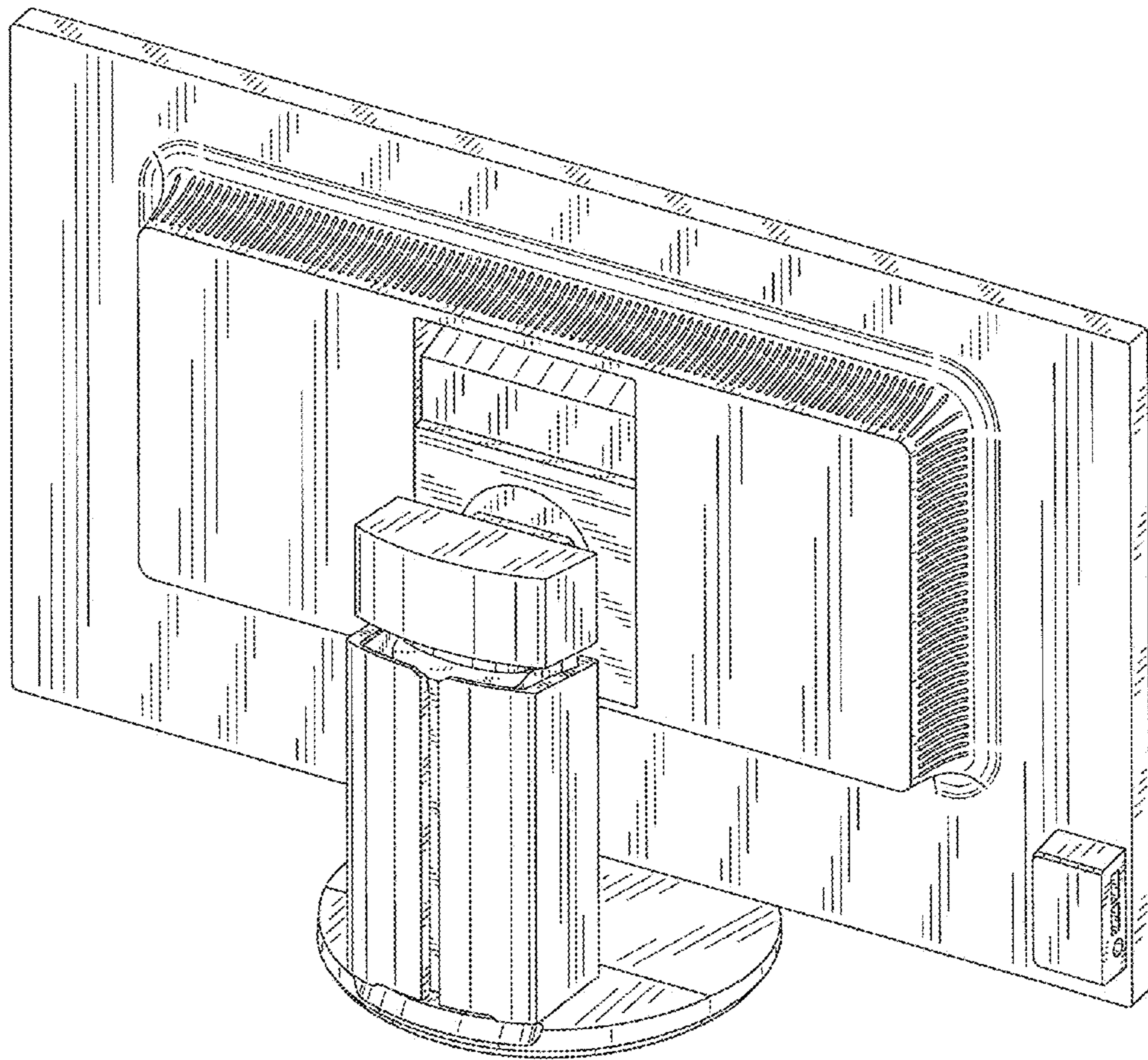


FIG. 1

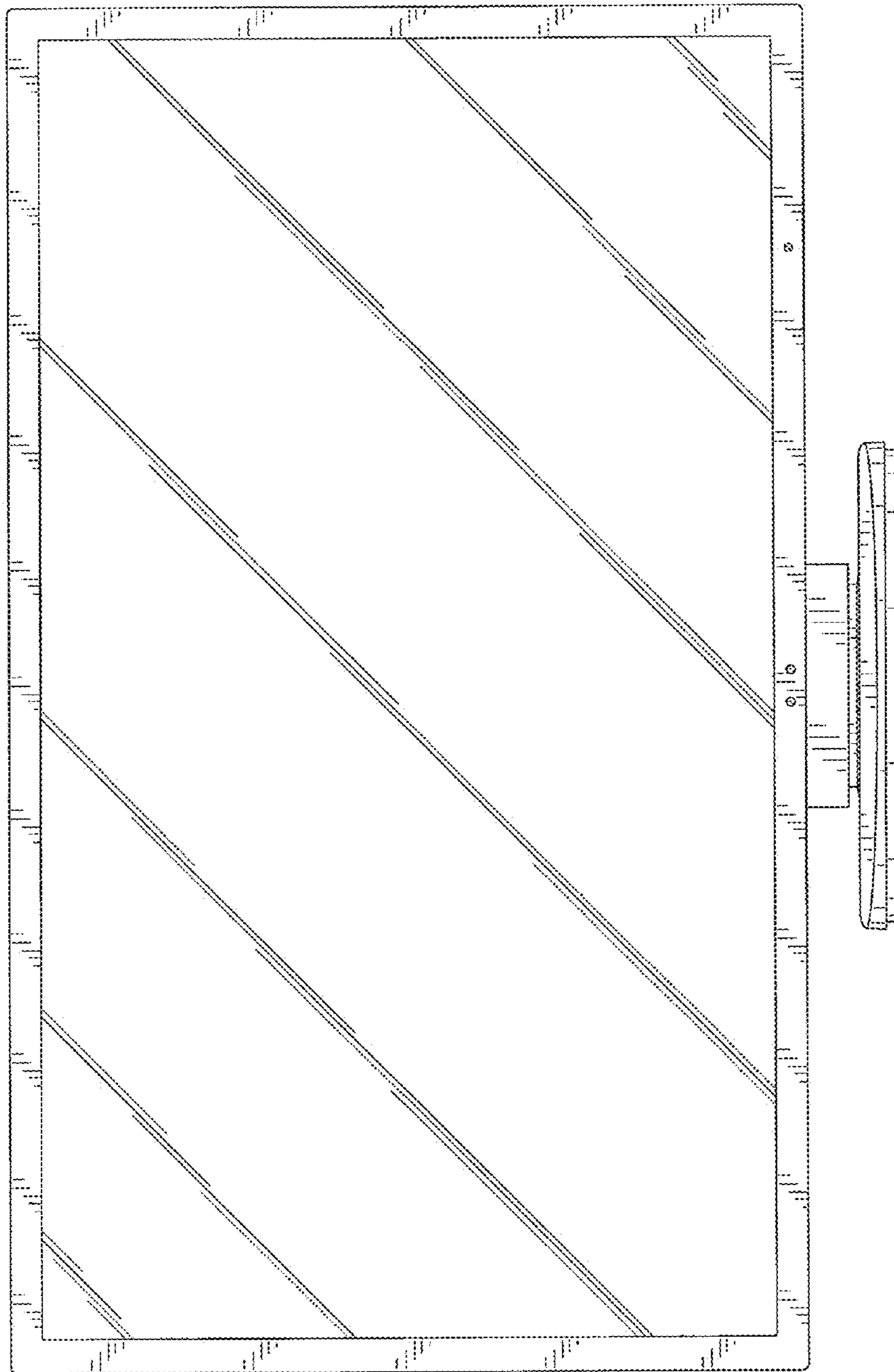


FIG. 2

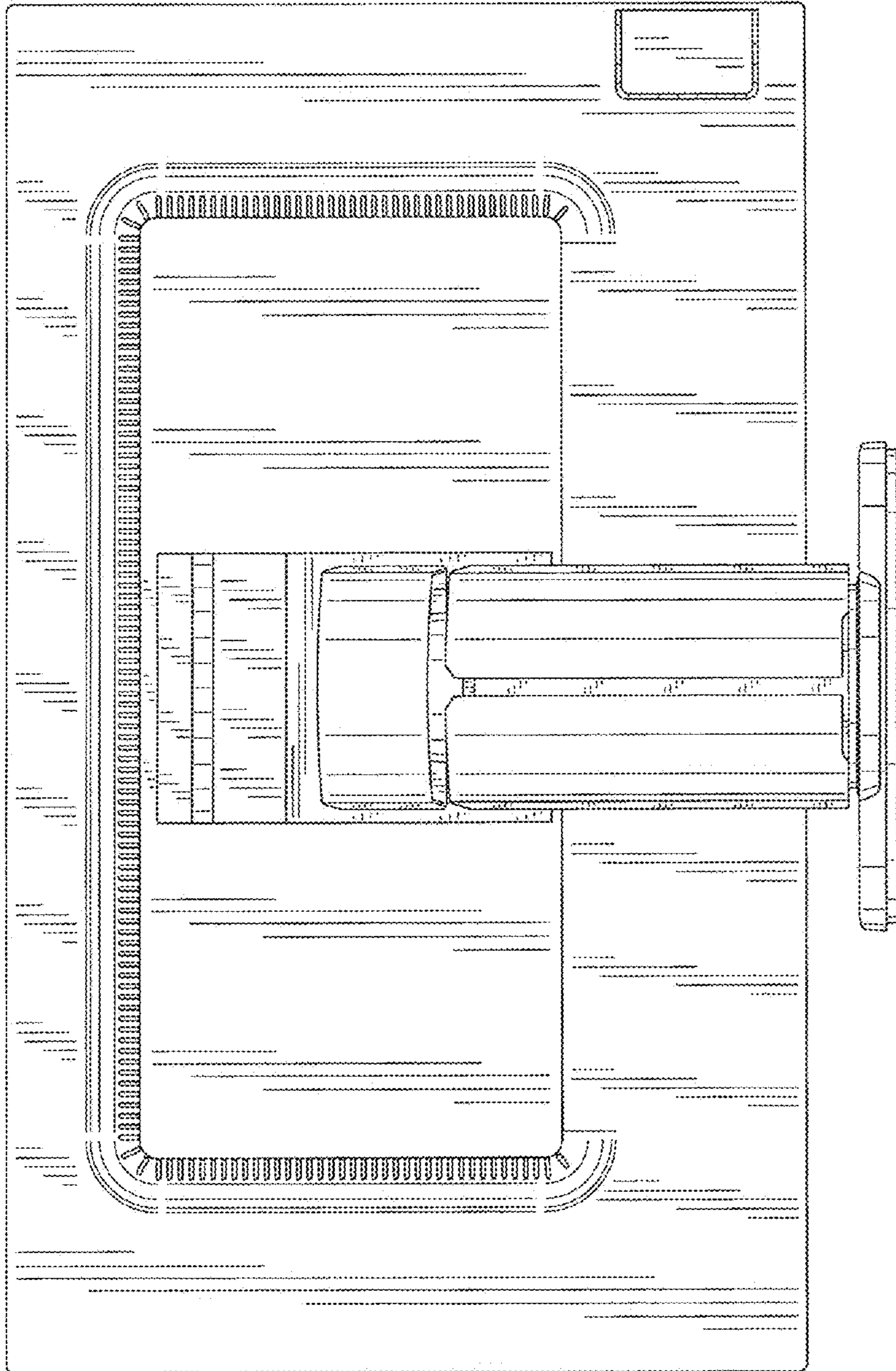


FIG. 3

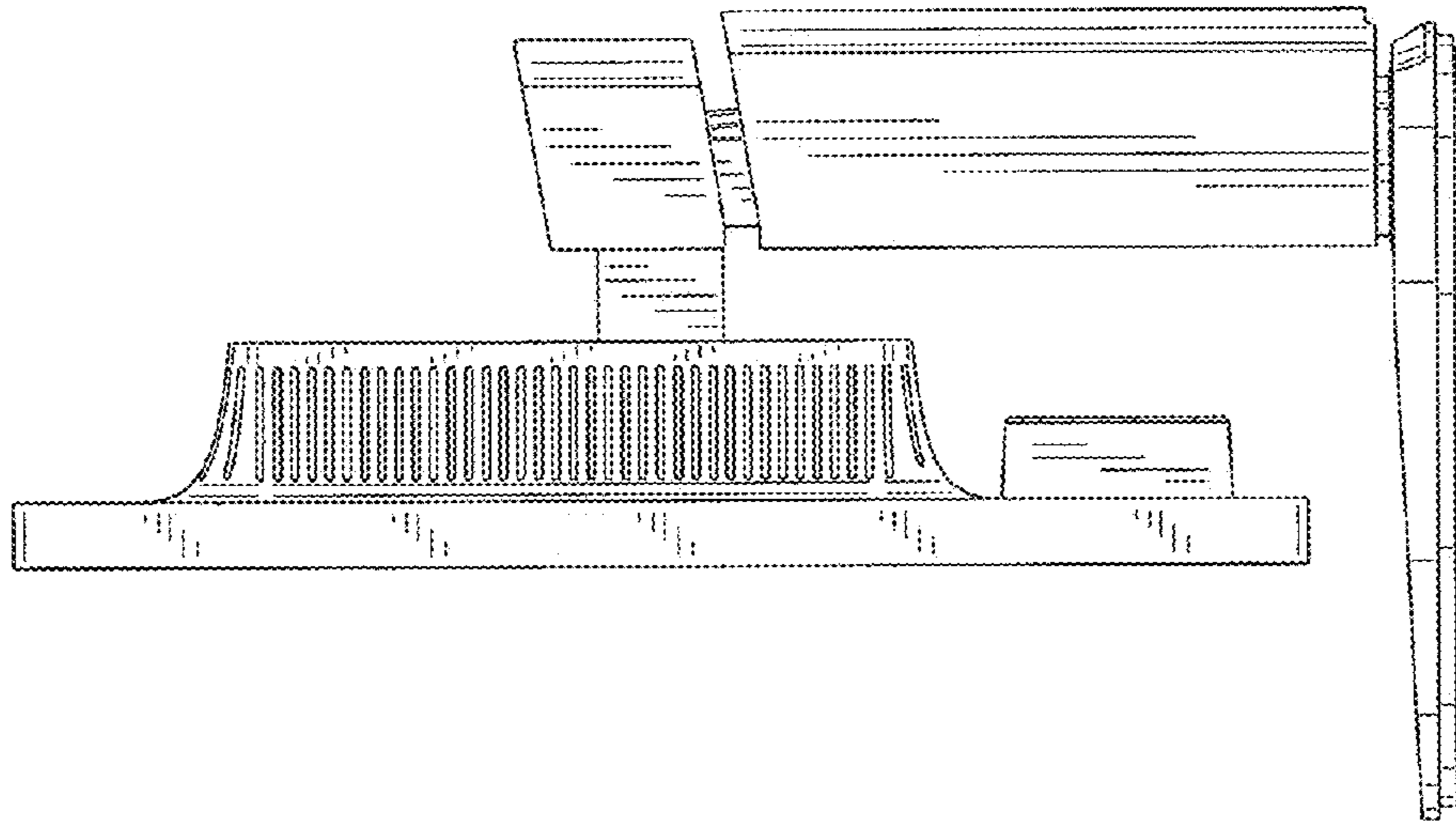


FIG. 5

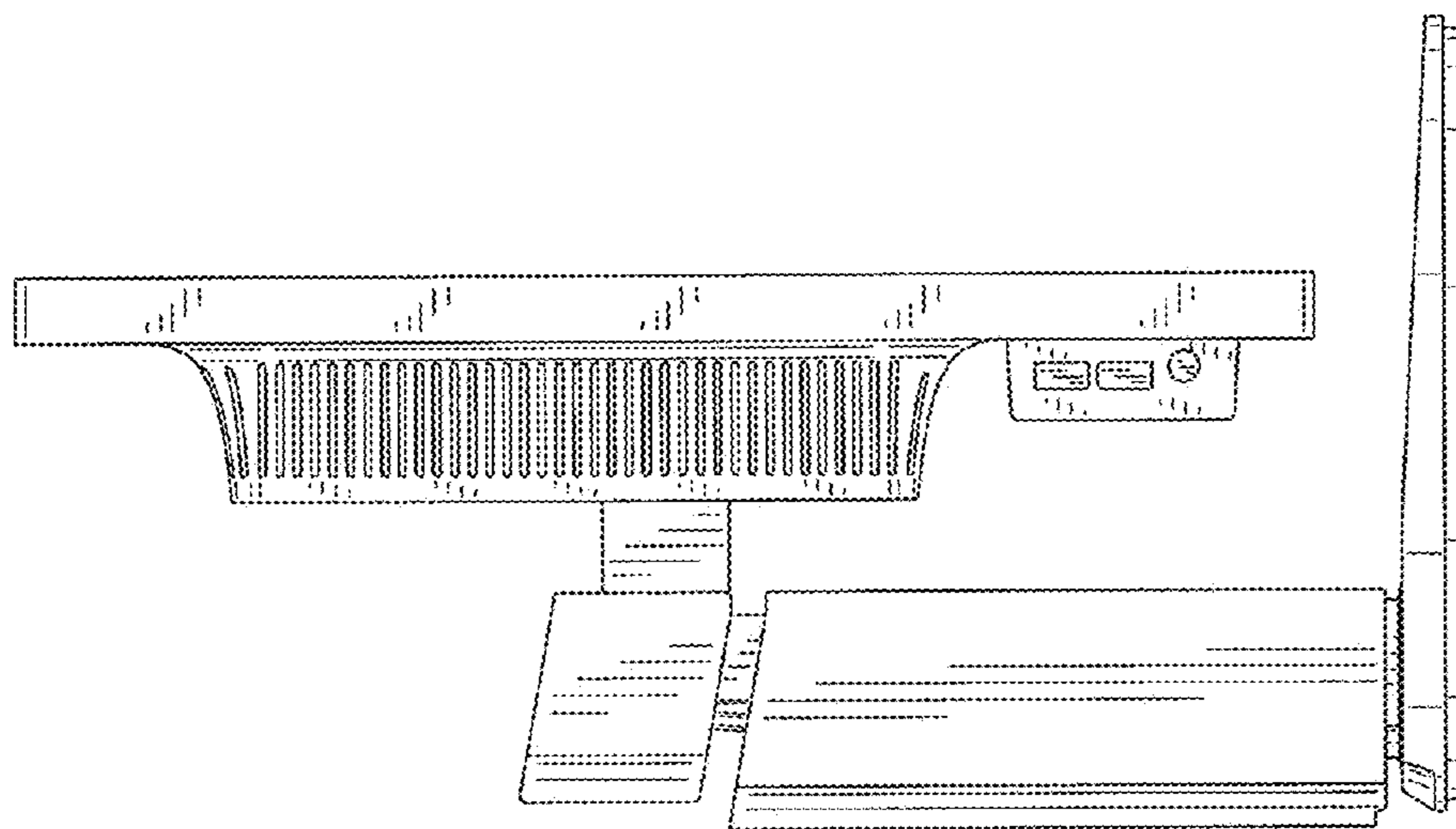


FIG. 4

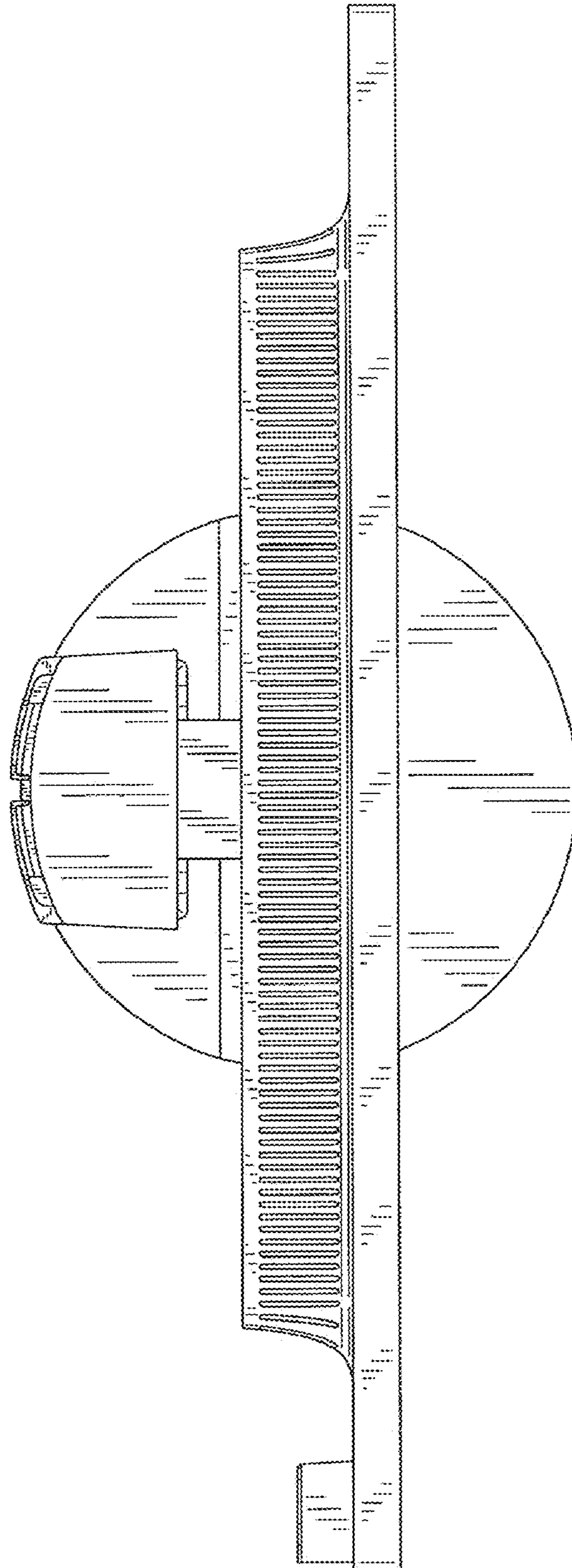


FIG. 6

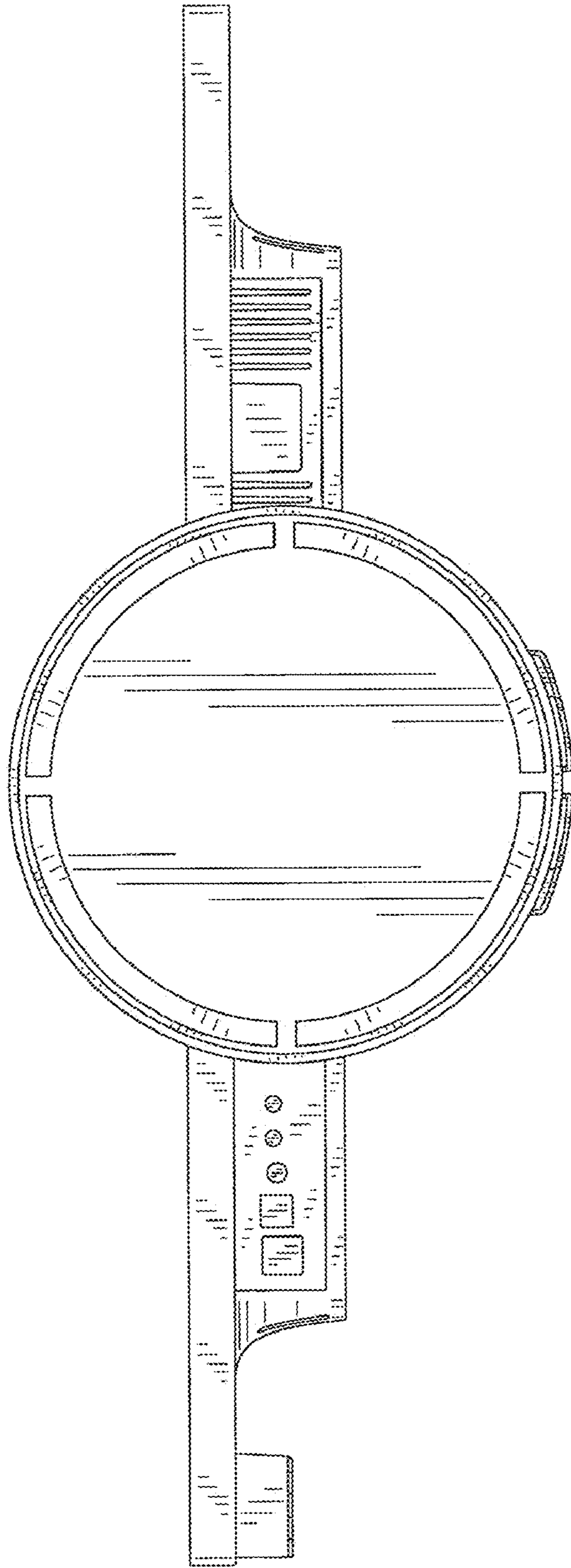


FIG. 7

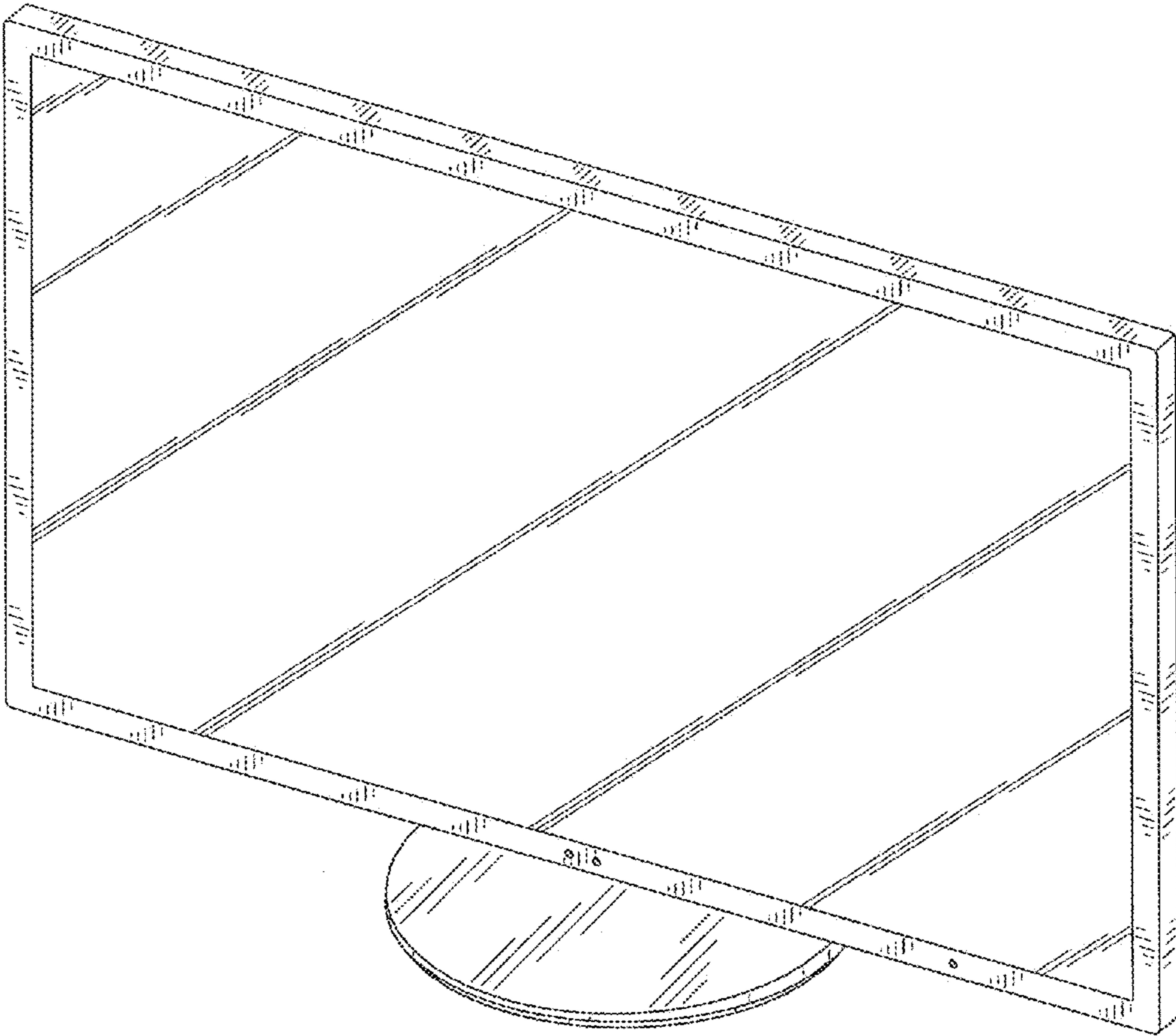


FIG. 8

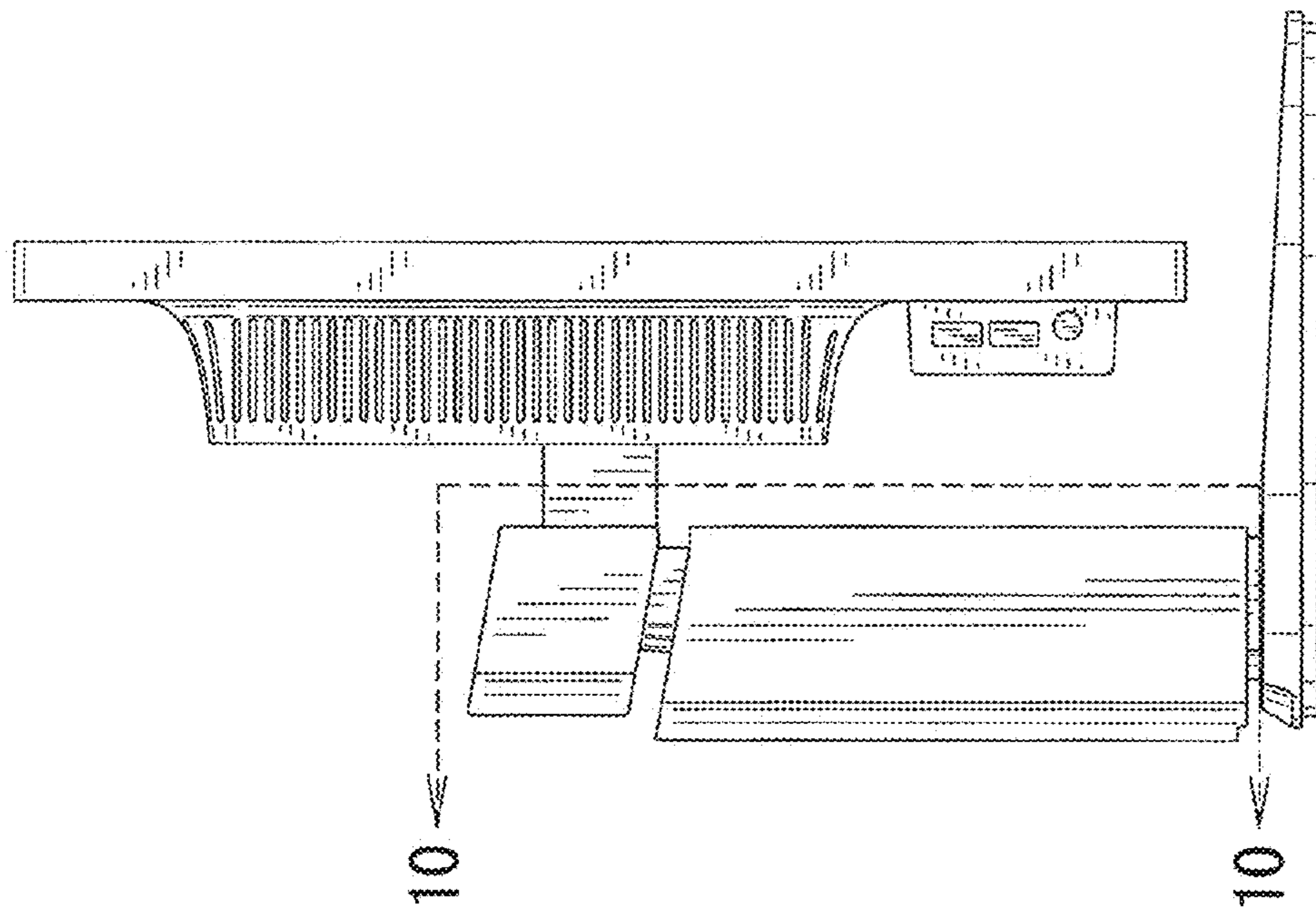


FIG. 9

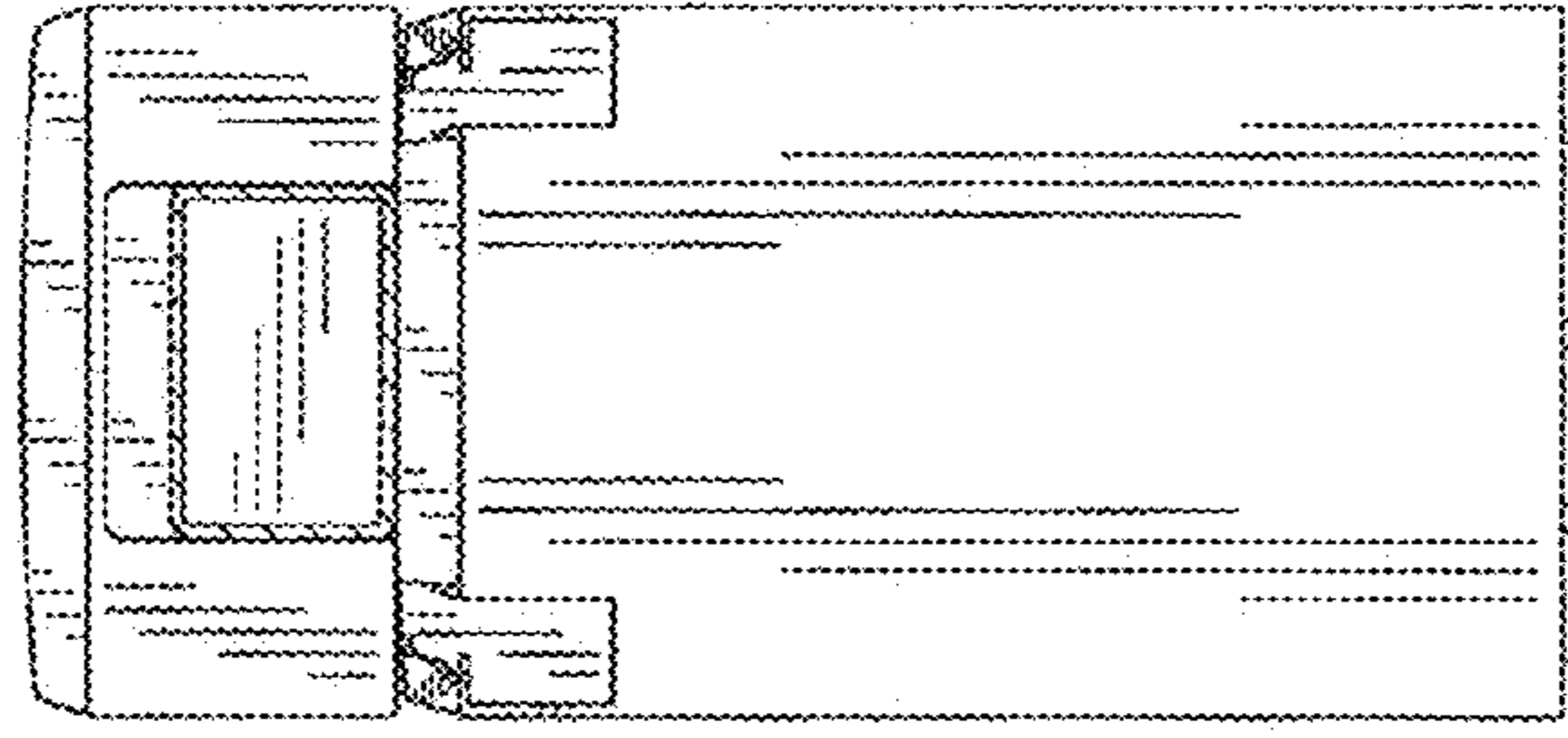


FIG. 10

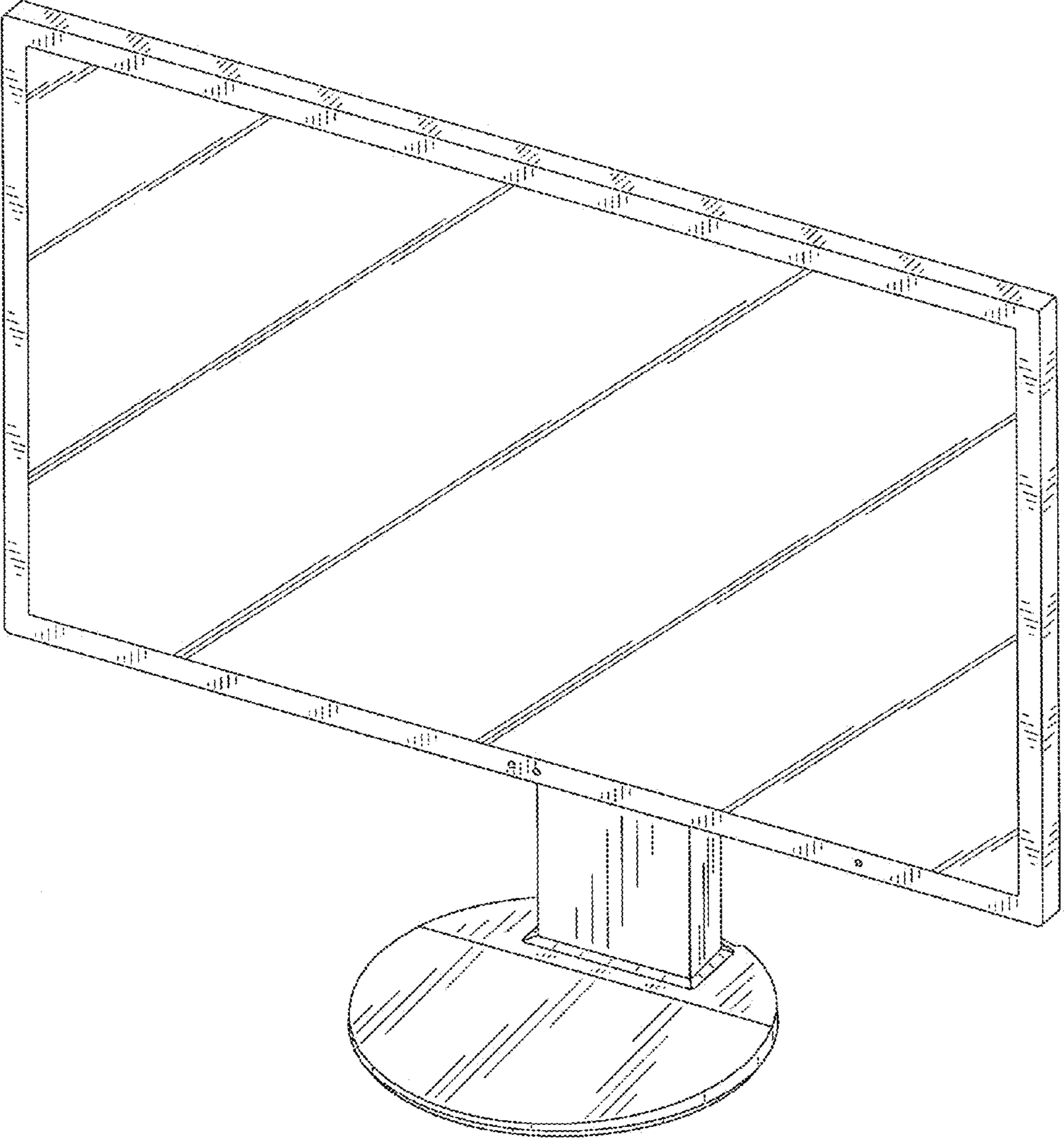


FIG. 11

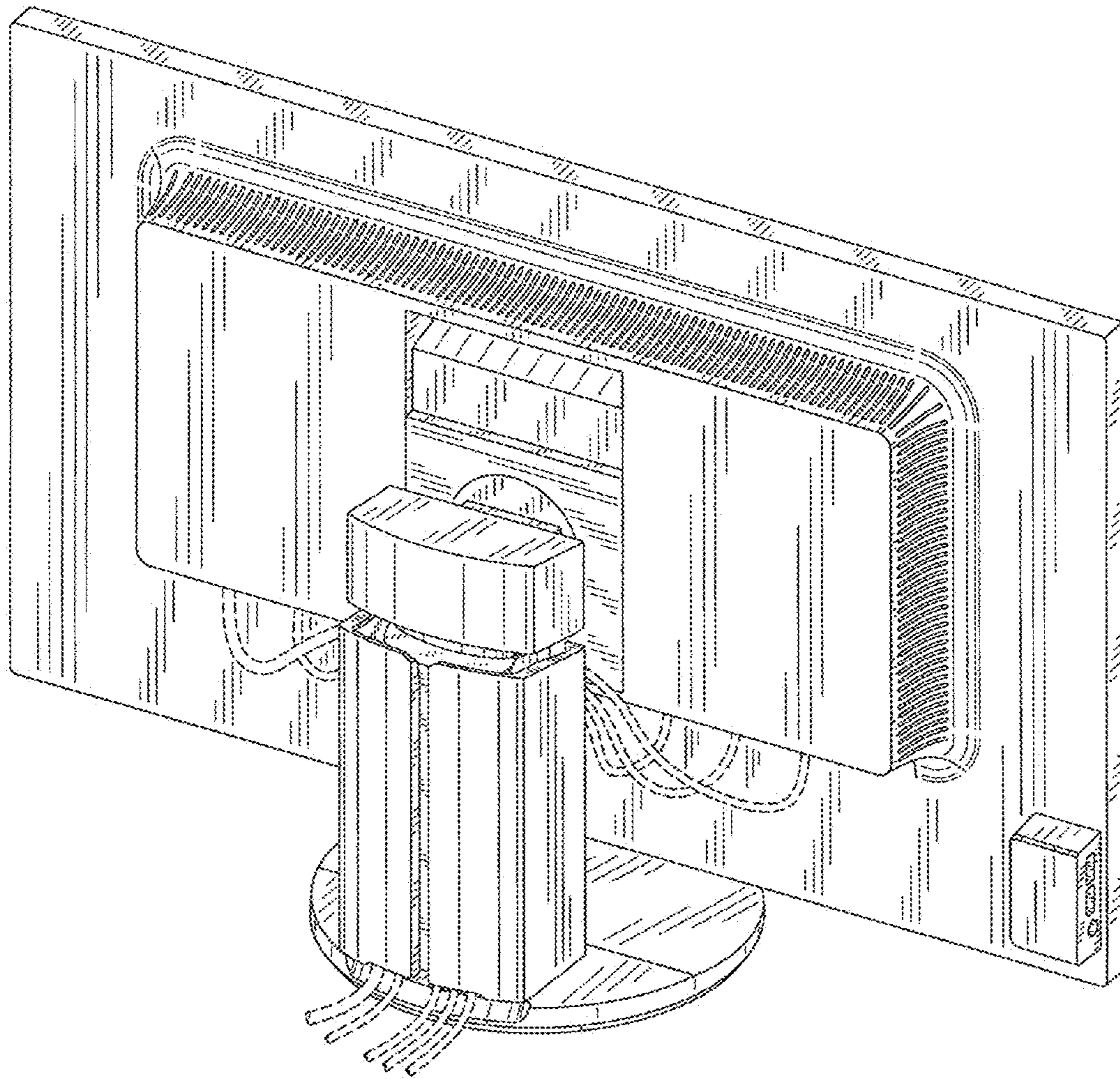


FIG. 12

UNITED STATES PATENT AND TRADEMARK OFFICE
CERTIFICATE OF CORRECTION

PATENT NO. : D677,662 S
APPLICATION NO. : 29/416200
DATED : March 12, 2013
INVENTOR(S) : Yoshihito Mochizuki et al.

Page 1 of 1

It is certified that error appears in the above-identified patent and that said Letters Patent is hereby corrected as shown below:

On the title page, item 30 please add the Foreign Application Priority Data with Japanese Design Application No. 2011-021744 filed September 22, 2011.

Signed and Sealed this
Twenty-fifth Day of June, 2013



Teresa Stanek Rea
Acting Director of the United States Patent and Trademark Office