



US00D677661S

(12) **United States Design Patent**
Hirano et al.

(10) **Patent No.:** **US D677,661 S**
(45) **Date of Patent:** **** Mar. 12, 2013**

(54) **MONITOR DISPLAY**

(75) Inventors: **Shinpei Hirano**, Tokyo (JP); **Naoto Shimizu**, Tokyo (JP); **Shigeya Kuwao**, Tokyo (JP)

(73) Assignee: **Sony Corporation**, Tokyo (JP)

(**) Term: **14 Years**

(21) Appl. No.: **29/371,670**

(22) Filed: **Jun. 28, 2011**

(51) **LOC (9) Cl.** **14-02**

(52) **U.S. Cl.** **D14/374**

(58) **Field of Classification Search** D14/371-376,
D14/125-129, 331, 336; D6/300, 308; 345/104,
345/156, 168, 173, 901-905; 248/917-924,
248/121, 176.1, 278.1; 348/180, 184, 325,
348/739; 349/1, 2, 11, 62; 361/679.01-679.09
See application file for complete search history.

(56) **References Cited**

U.S. PATENT DOCUMENTS

D355,170 S	2/1995	Mizusugi et al.
D380,213 S	6/1997	Morimiya
D432,102 S	10/2000	Arie
D446,515 S	8/2001	Arpe
6,343,006 B1	1/2002	Moscovitch et al.
D463,420 S	9/2002	Stener et al.
D464,348 S	10/2002	Takemasa et al.
D483,035 S	12/2003	Lee
D489,067 S	4/2004	Olson et al.
D500,991 S	1/2005	Niitsu et al.
D501,185 S	1/2005	Sato et al.
D513,254 S	12/2005	Chu et al.
D534,508 S	1/2007	Yamada
D538,800 S	3/2007	Zhang et al.
D556,707 S	12/2007	Fujii
D564,990 S	3/2008	Ueno
D570,804 S	6/2008	Fujiki
D572,023 S	7/2008	Park

(Continued)

FOREIGN PATENT DOCUMENTS

JP D1236447 S 4/2005

(Continued)

Primary Examiner — Freda S Nunn

(74) *Attorney, Agent, or Firm* — Rader, Fishman & Grauer PLLC

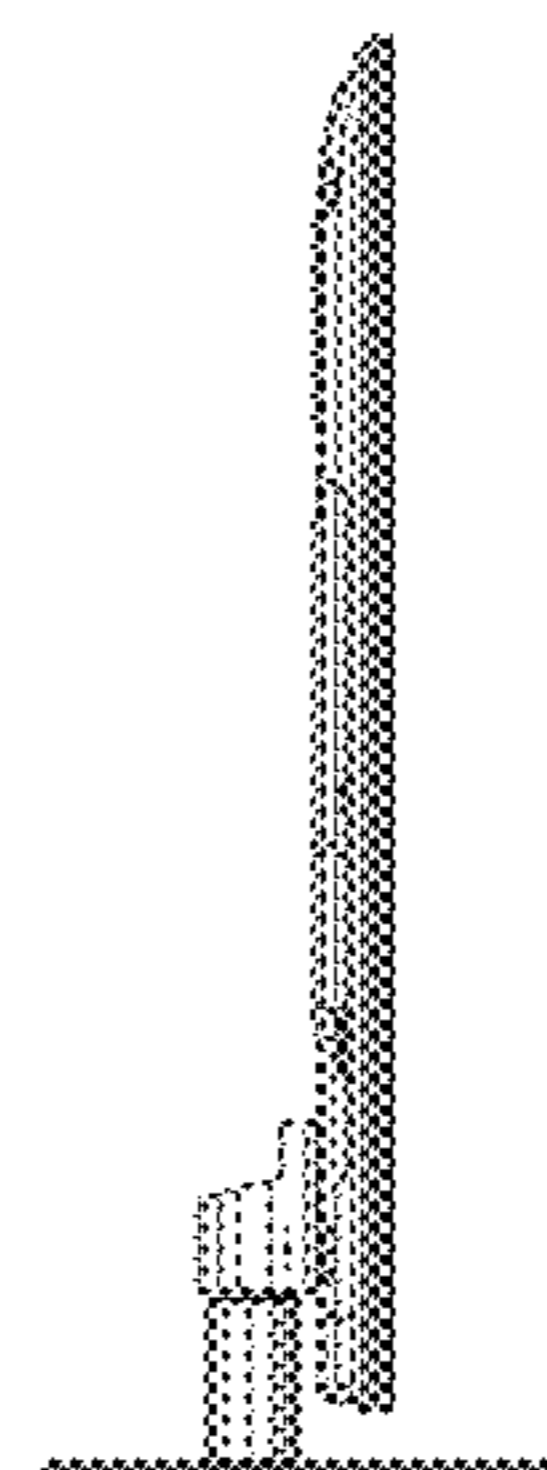
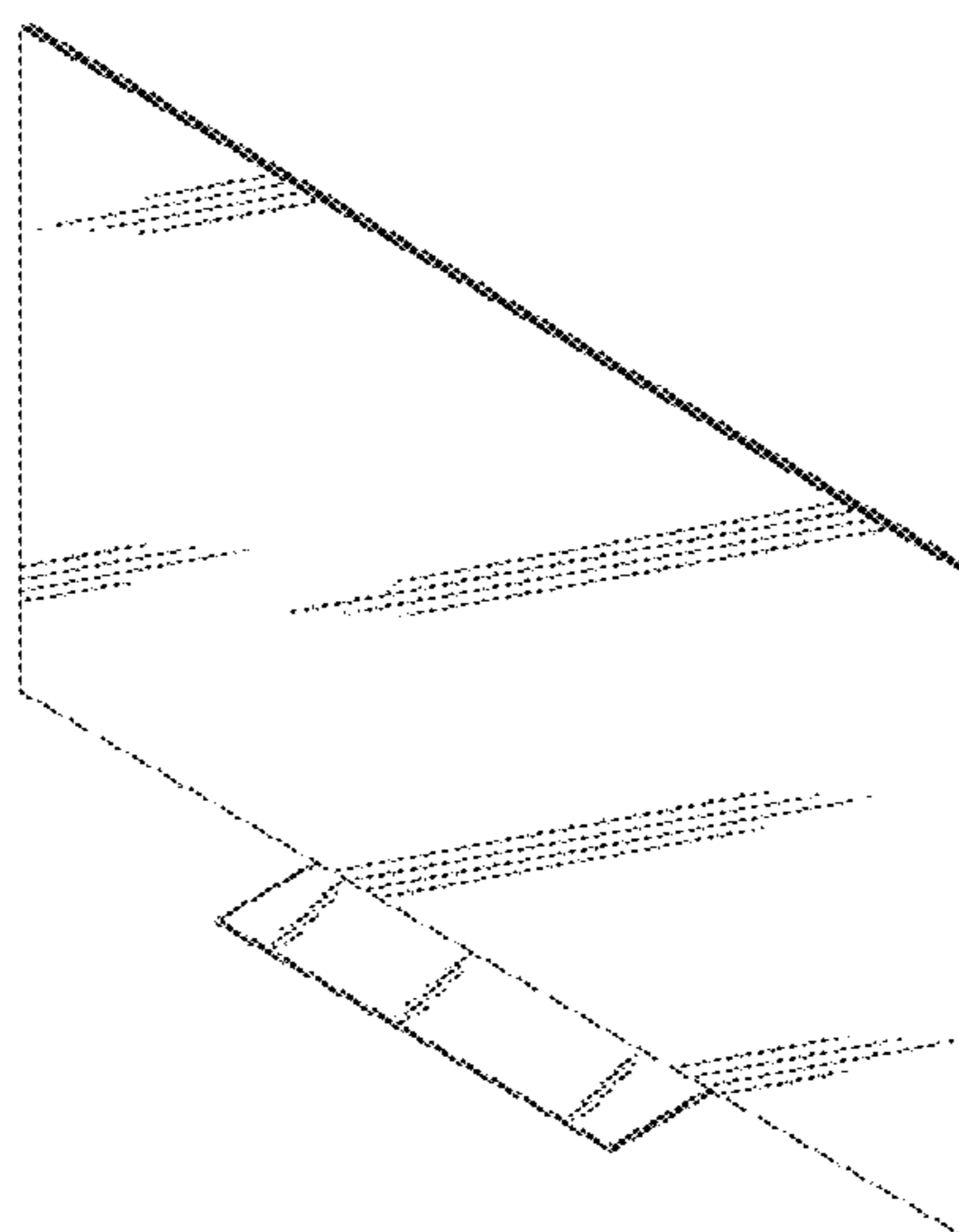
(57) **CLAIM**

The ornamental design for a monitor display, as shown and described.

DESCRIPTION

FIG. 1 is a front, top, right perspective view of a first embodiment of a monitor display showing our design;
 FIG. 2 is a rear, top, right perspective view thereof;
 FIG. 3 is a front elevational view thereof;
 FIG. 4 is a rear elevational view thereof;
 FIG. 5 is a left side elevational view thereof;
 FIG. 6 is a right side elevational view thereof;
 FIG. 7 is a top plan view thereof; and
 FIG. 8 is a bottom plan view thereof.
 FIG. 9 is a perspective view of a second embodiment of a monitor display showing our design;
 FIG. 10 is a front elevational view thereof;
 FIG. 11 is a rear elevational view thereof;
 FIG. 12 is a left side elevational view thereof;
 FIG. 13 is a right side elevational view thereof;
 FIG. 14 is a top plan view thereof; and
 FIG. 15 is a bottom plan view thereof.
 FIG. 16 is a perspective view of a third embodiment of a monitor display showing our design;
 FIG. 17 is a front elevational view thereof;
 FIG. 18 is a rear elevational view thereof;
 FIG. 19 is a left side elevational view thereof;
 FIG. 20 is a right side elevational view thereof;
 FIG. 21 is a top plan view thereof; and
 FIG. 22 is a bottom plan view thereof.

1 Claim, 16 Drawing Sheets



US D677,661 S

Page 2

U.S. PATENT DOCUMENTS

D572,677 S 7/2008 Niitsu
D585,877 S 2/2009 Shimizu
D587,702 S 3/2009 Niitsu
D587,709 S 3/2009 Niitsu et al.
D588,122 S 3/2009 Shimizu
D588,123 S 3/2009 Shimizu
D588,124 S 3/2009 Shimizu
D588,129 S 3/2009 Shimizu
D588,561 S 3/2009 Niitsu et al.
D595,248 S 6/2009 Fujii et al.
D597,978 S * 8/2009 Won et al. D14/126
D598,404 S 8/2009 Arie et al.
D600,233 S 9/2009 Birsal et al.
D600,695 S 9/2009 Niitsu et al.
D601,143 S 9/2009 Oikawa et al.
D610,143 S * 2/2010 Park et al. D14/374
D615,513 S * 5/2010 Yamaguchi et al. D14/126

D615,542 S 5/2010 Oikawa et al.
D619,979 S * 7/2010 Lee et al. D14/126

FOREIGN PATENT DOCUMENTS

JP D1236880 S 4/2005
JP D1236881 S 4/2005
JP D1236882 S 4/2005
JP 1302946 S 6/2007
JP D1203771 S 6/2007
JP D1302947 S 6/2007
JP D1303612 S 6/2007
JP D1303613 S 6/2007
JP D1303614 S 6/2007
JP D1334682 S 6/2008
KR 30-0383475 S 3/2008

* cited by examiner

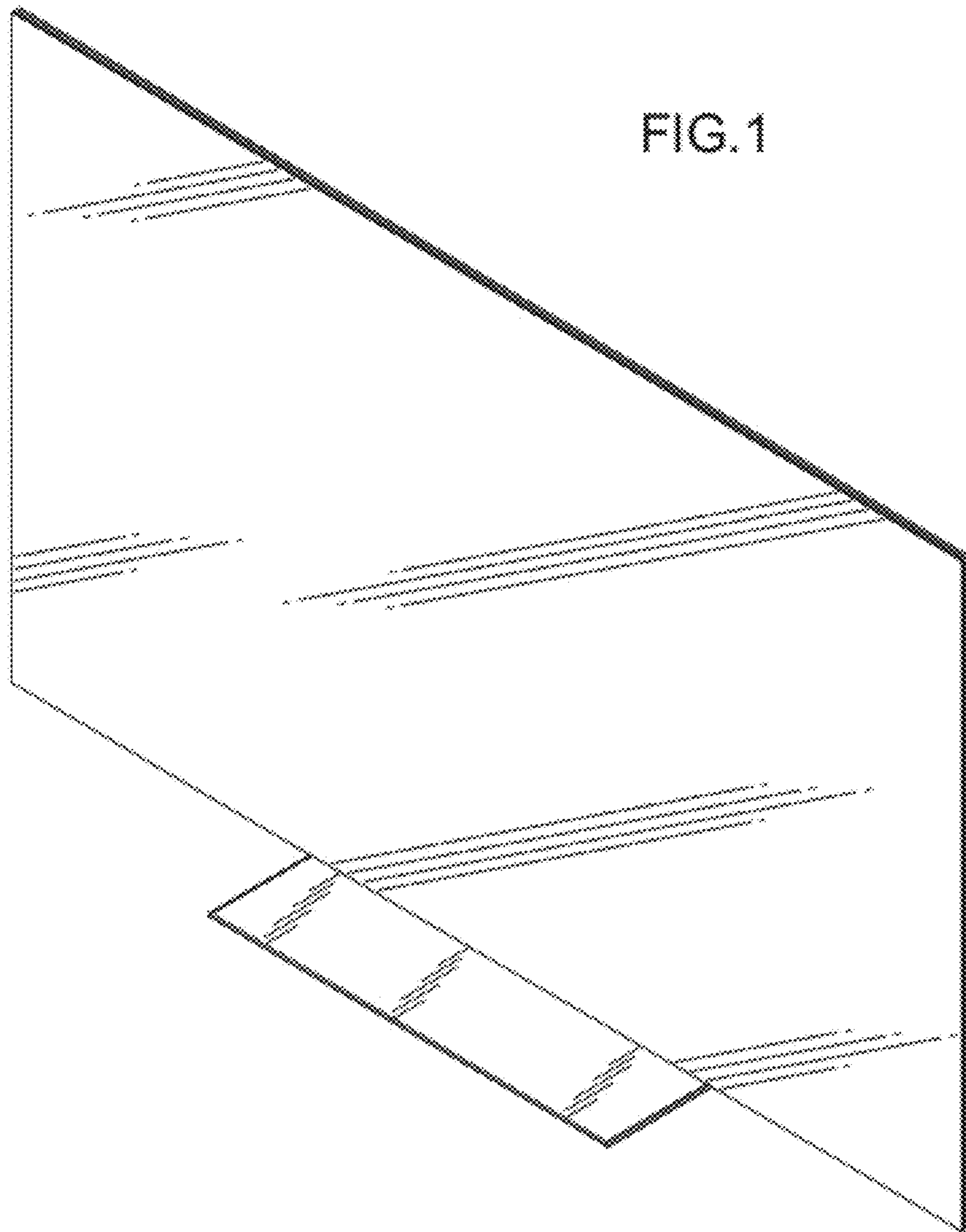


FIG. 1

FIG.2

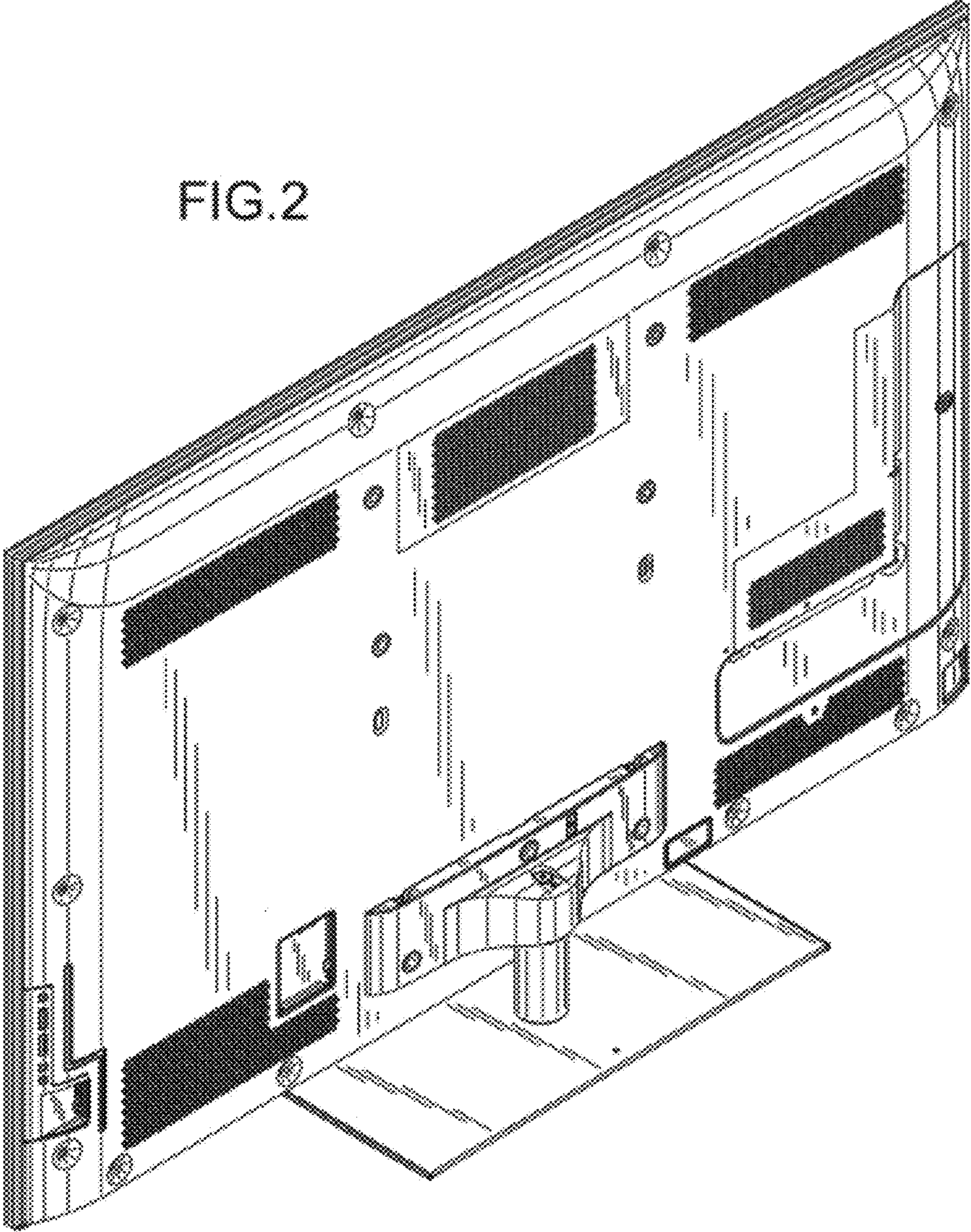


FIG. 3

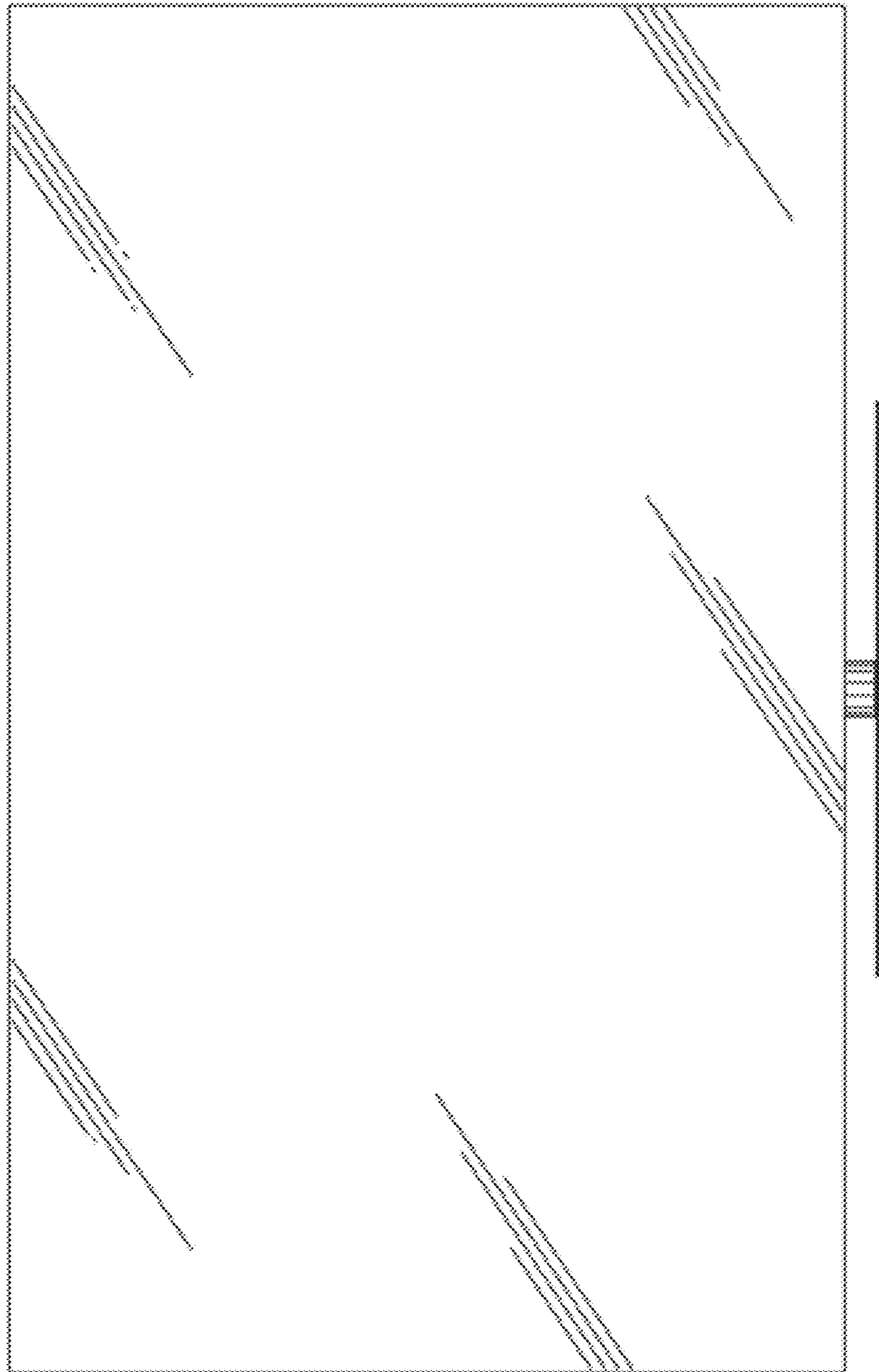


FIG.4

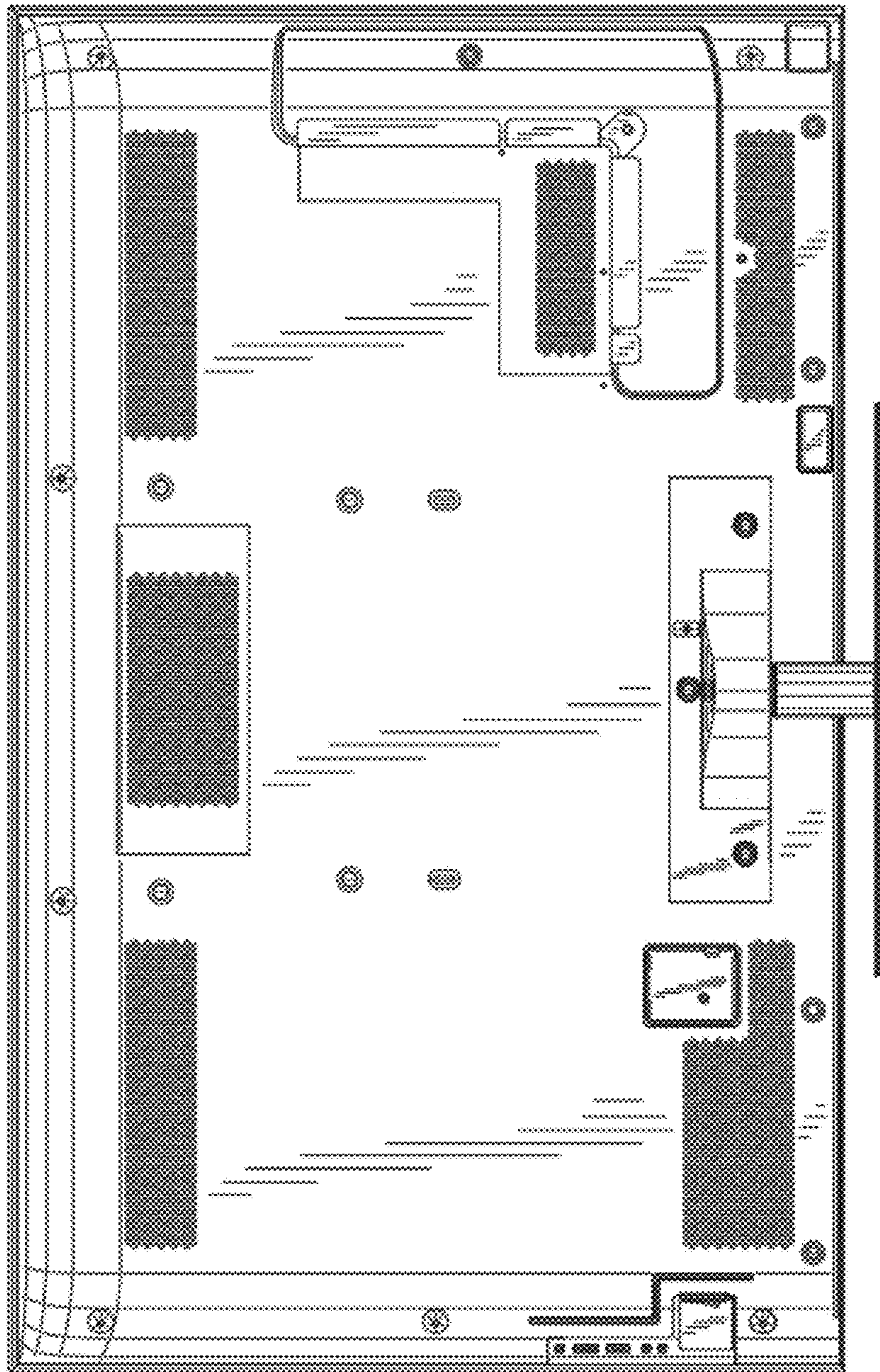


FIG.5

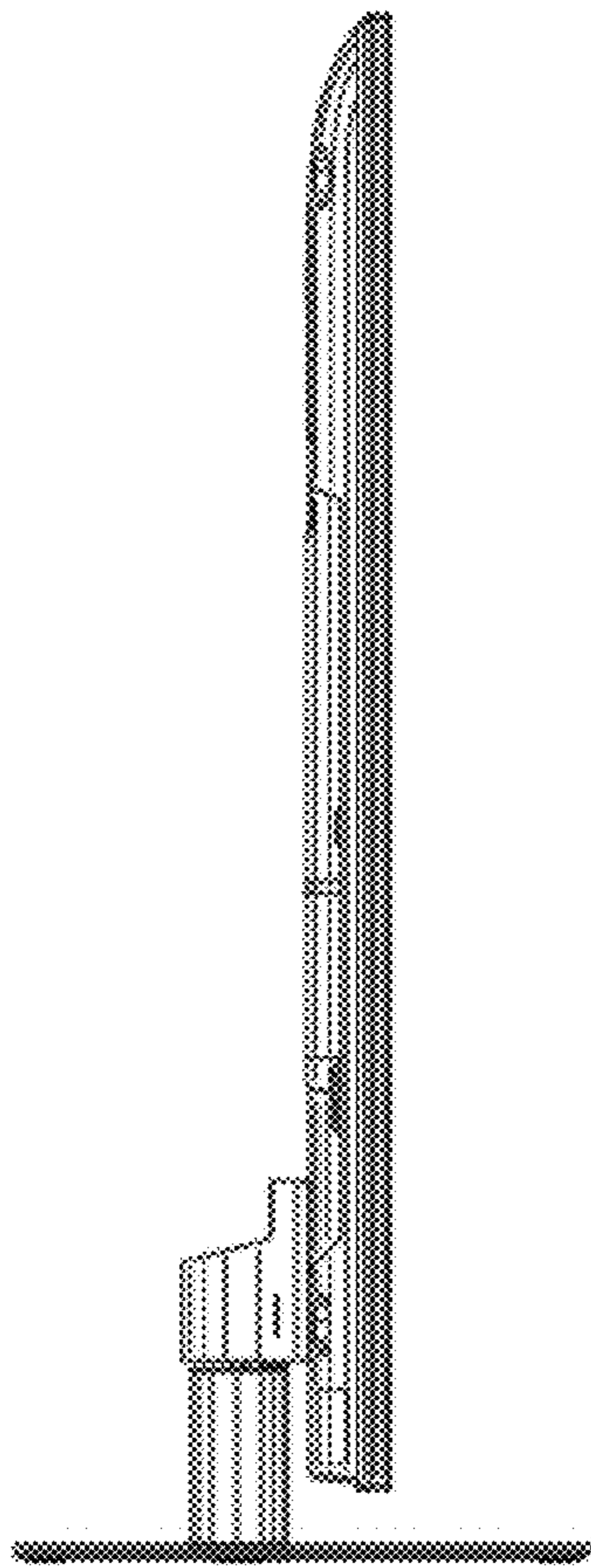


FIG.6

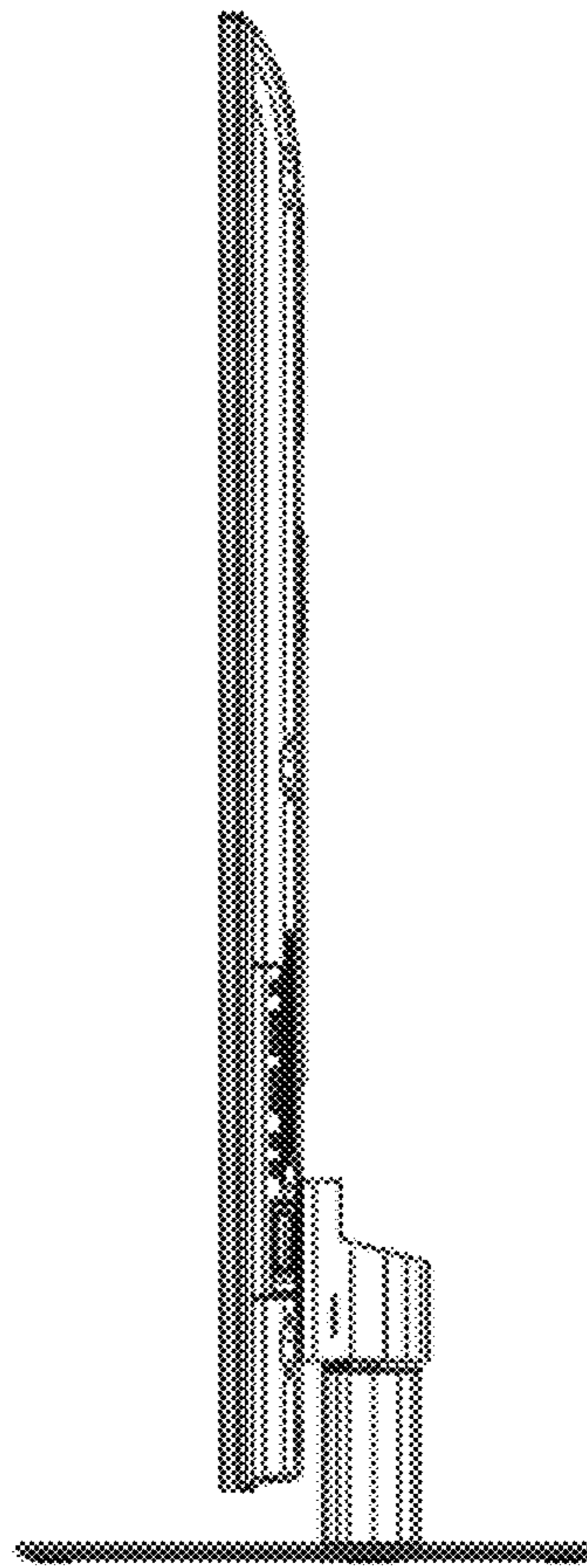


FIG.7

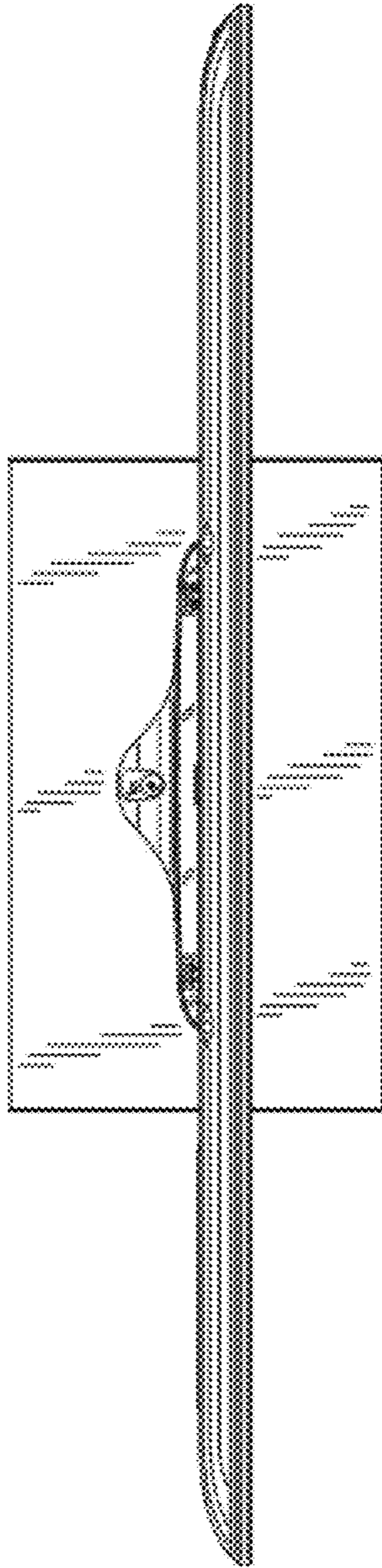
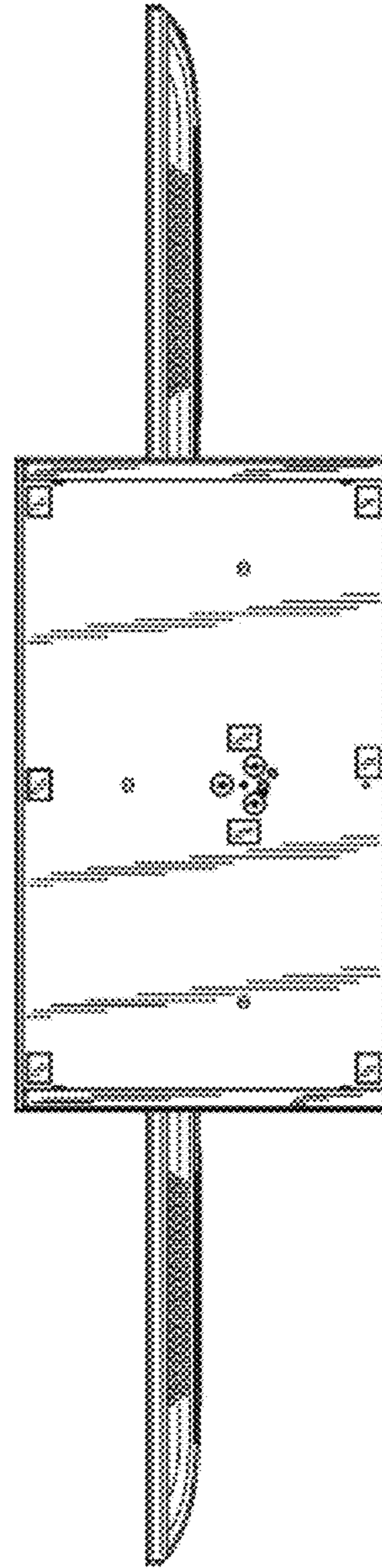


FIG.8



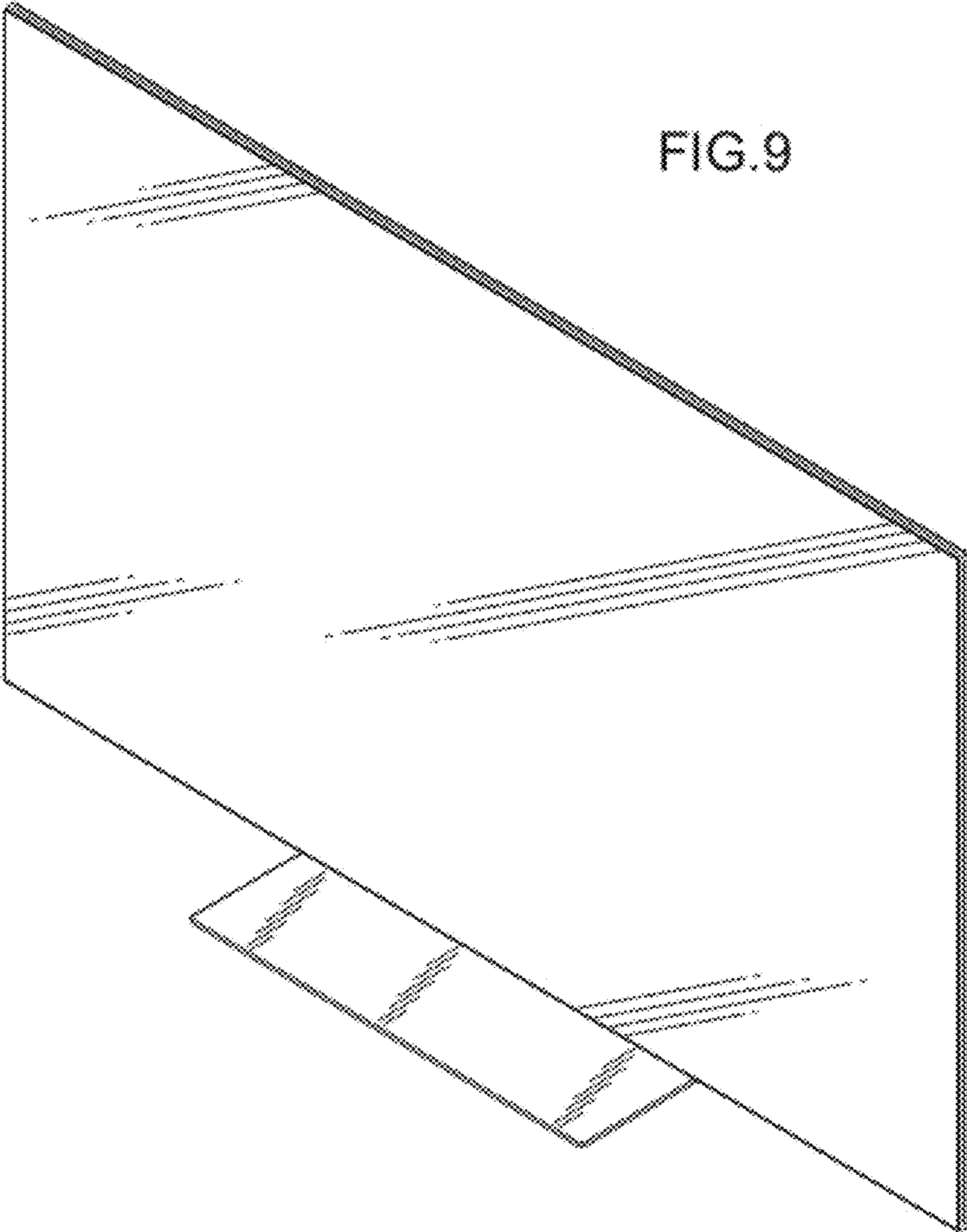


FIG. 10

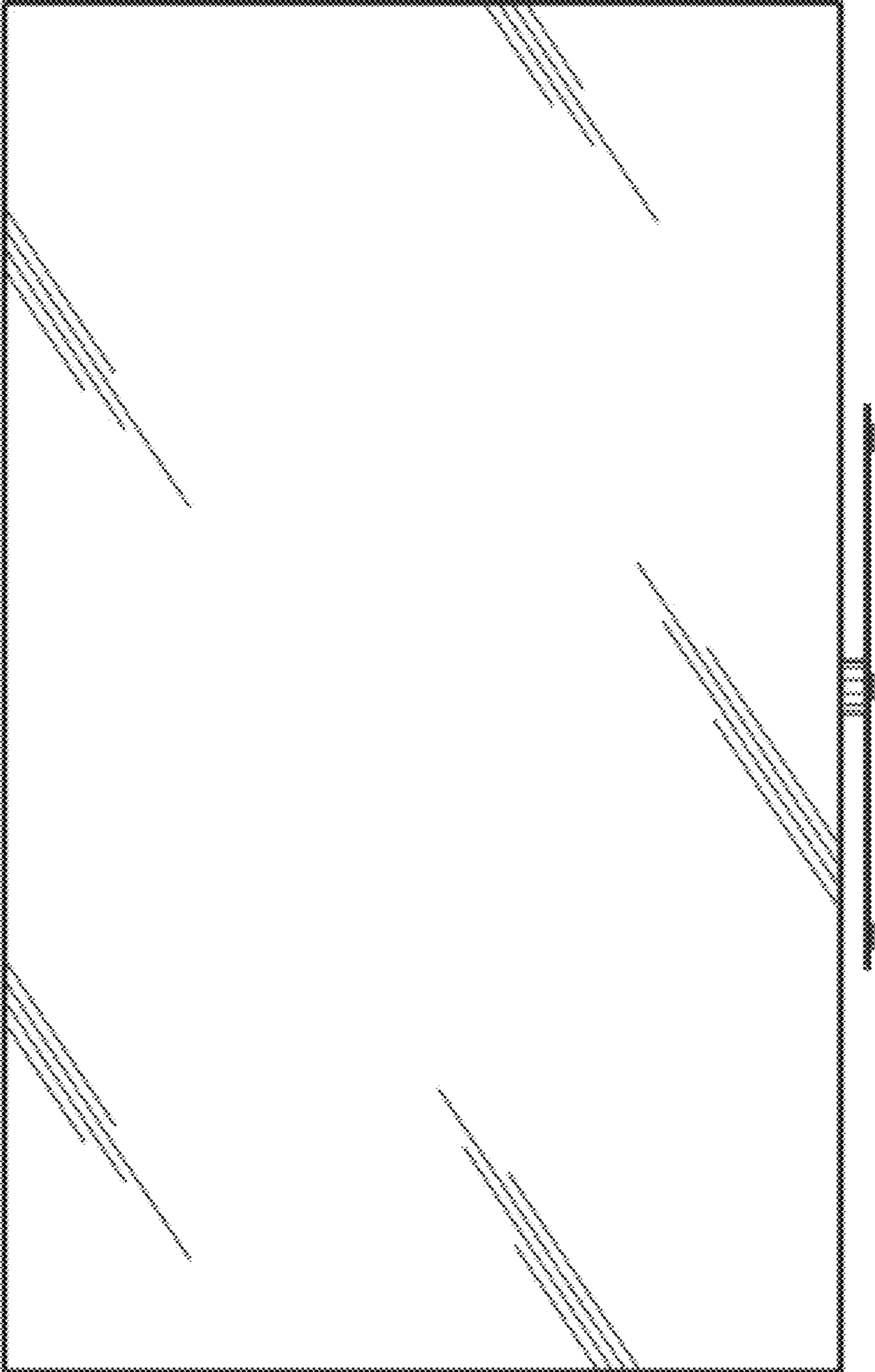


FIG. 11

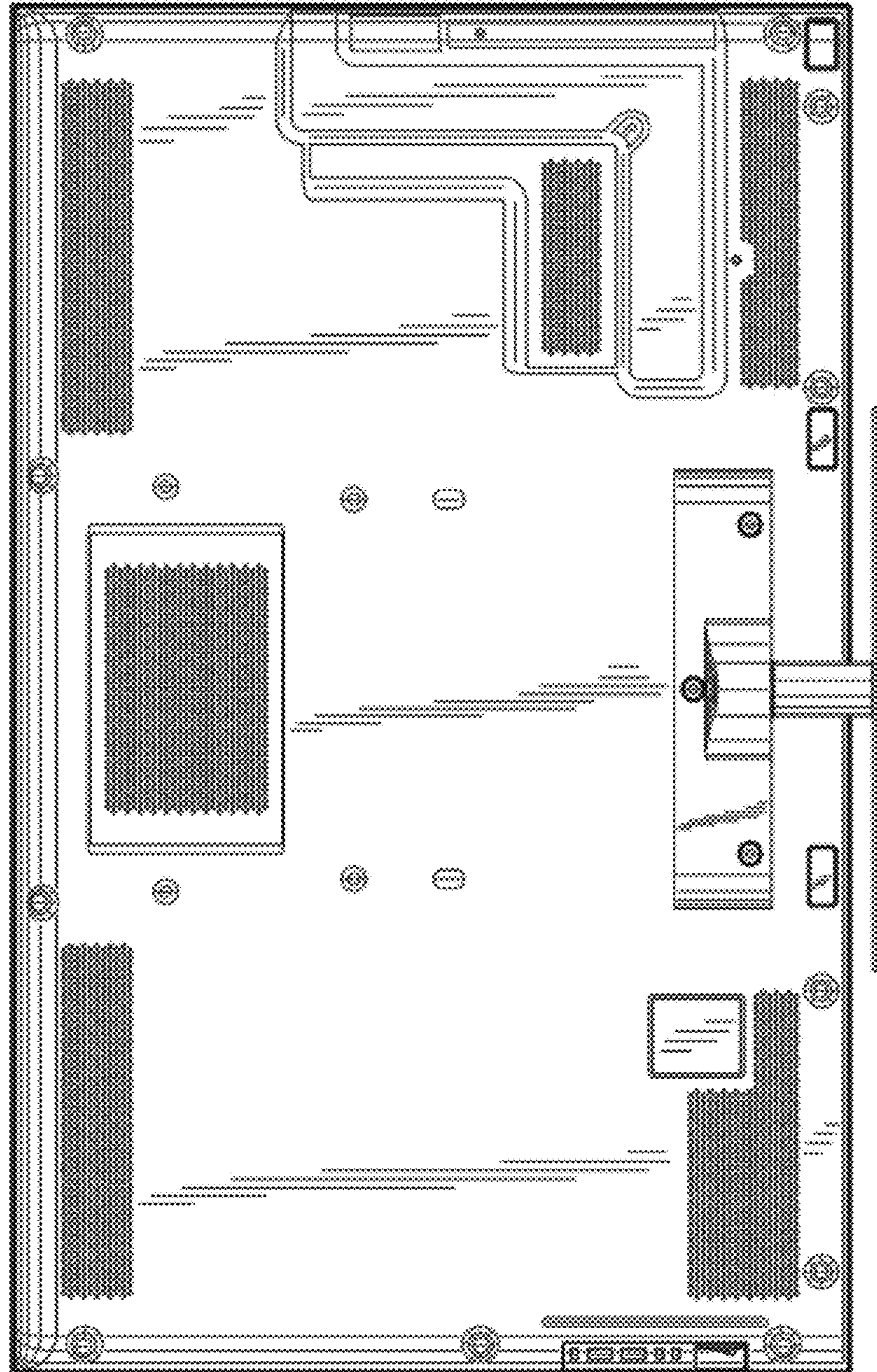


FIG. 12

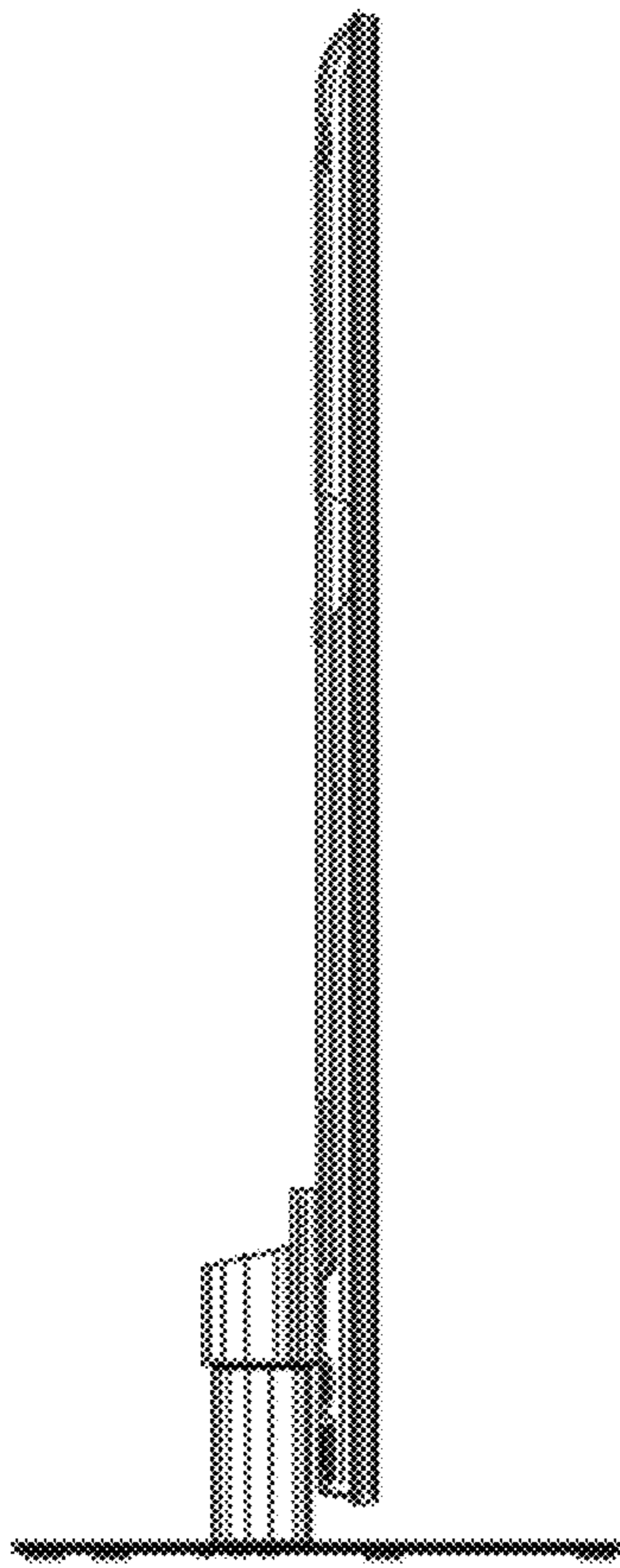


FIG. 13

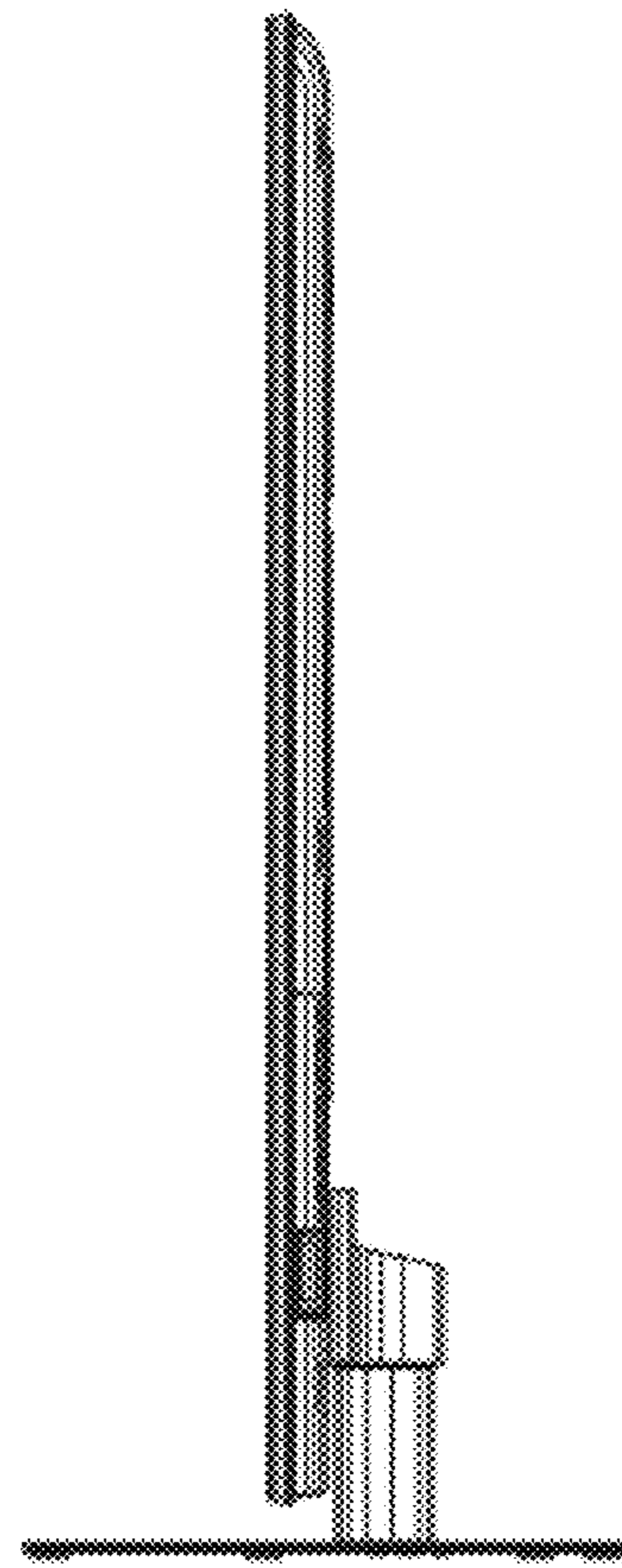


FIG.14

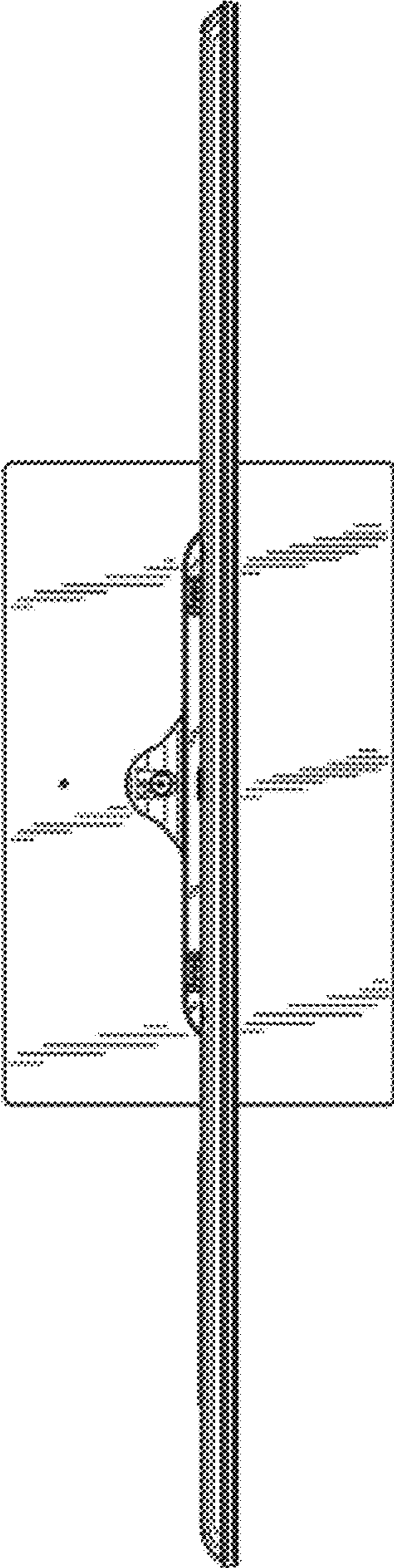
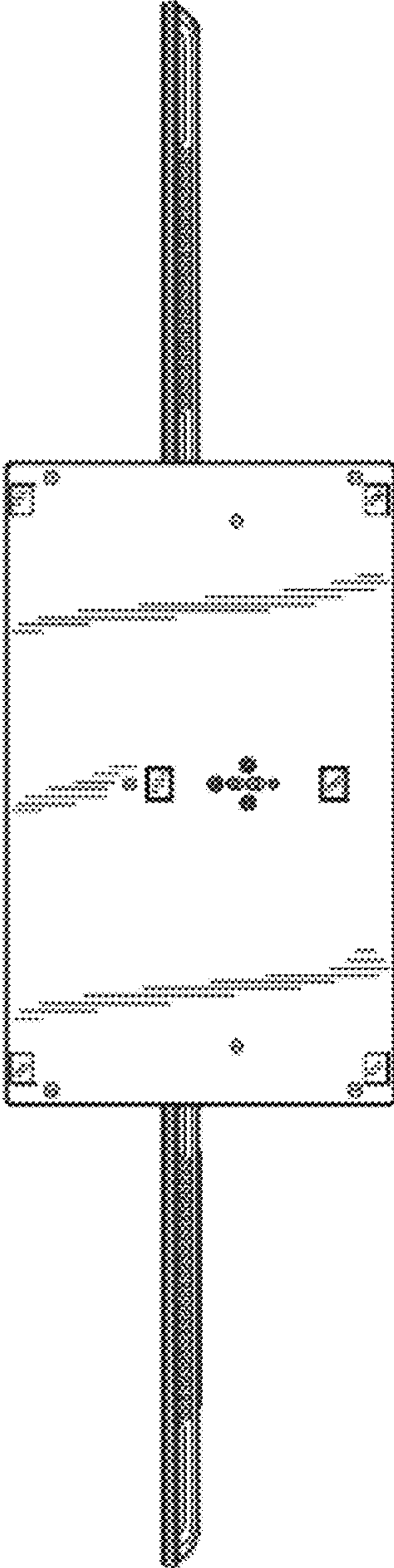


FIG.15



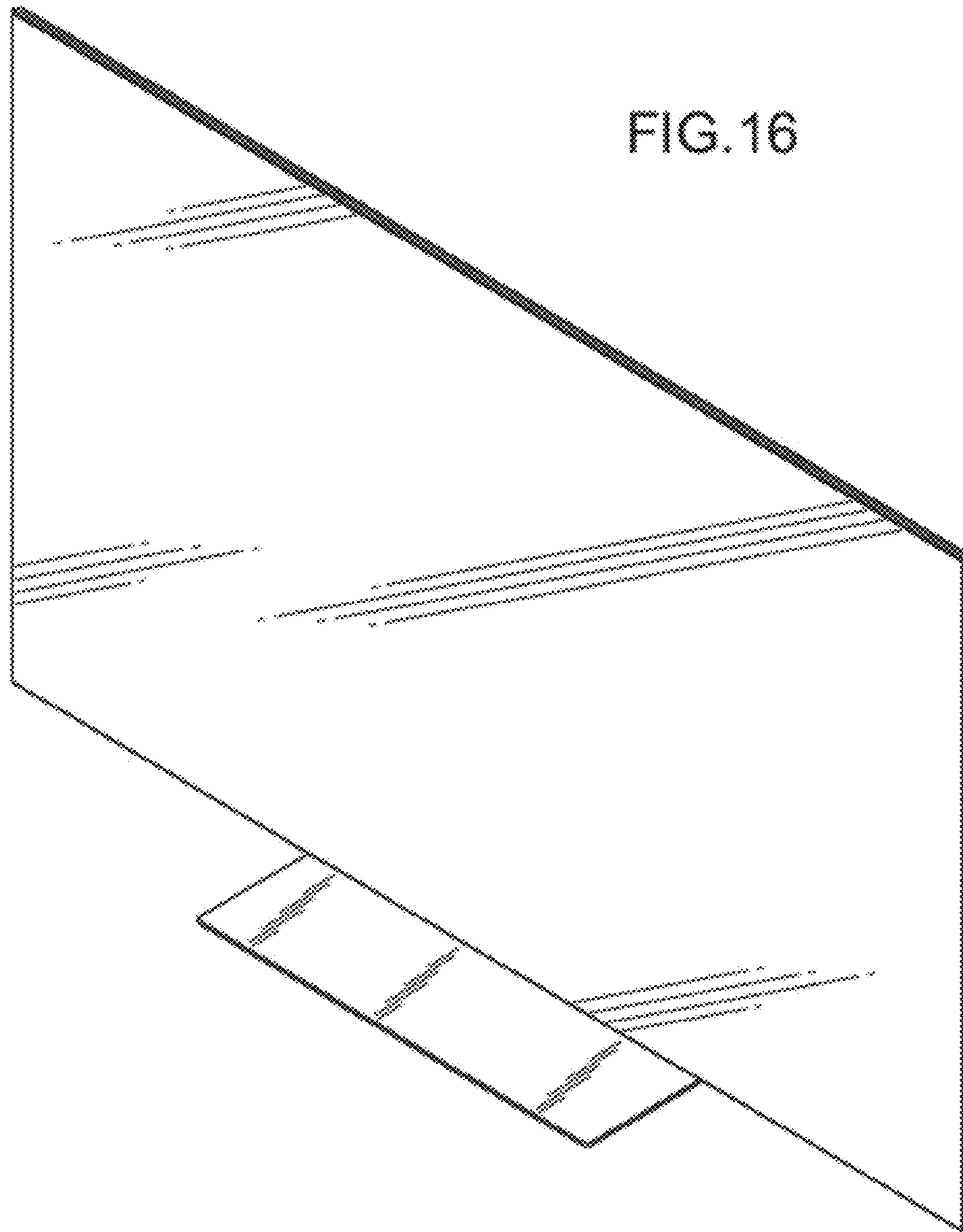


FIG. 16

FIG.17

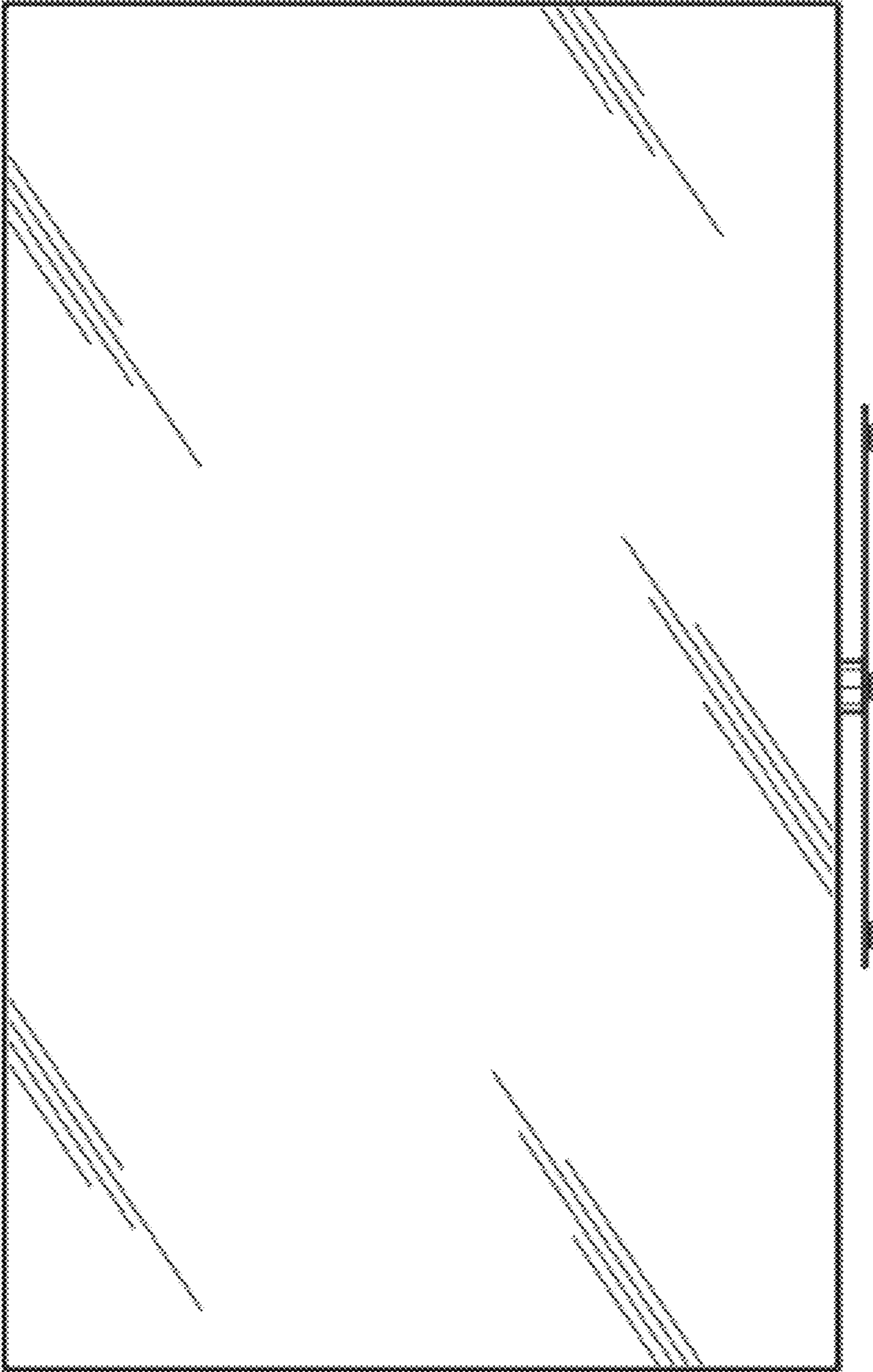


FIG. 18

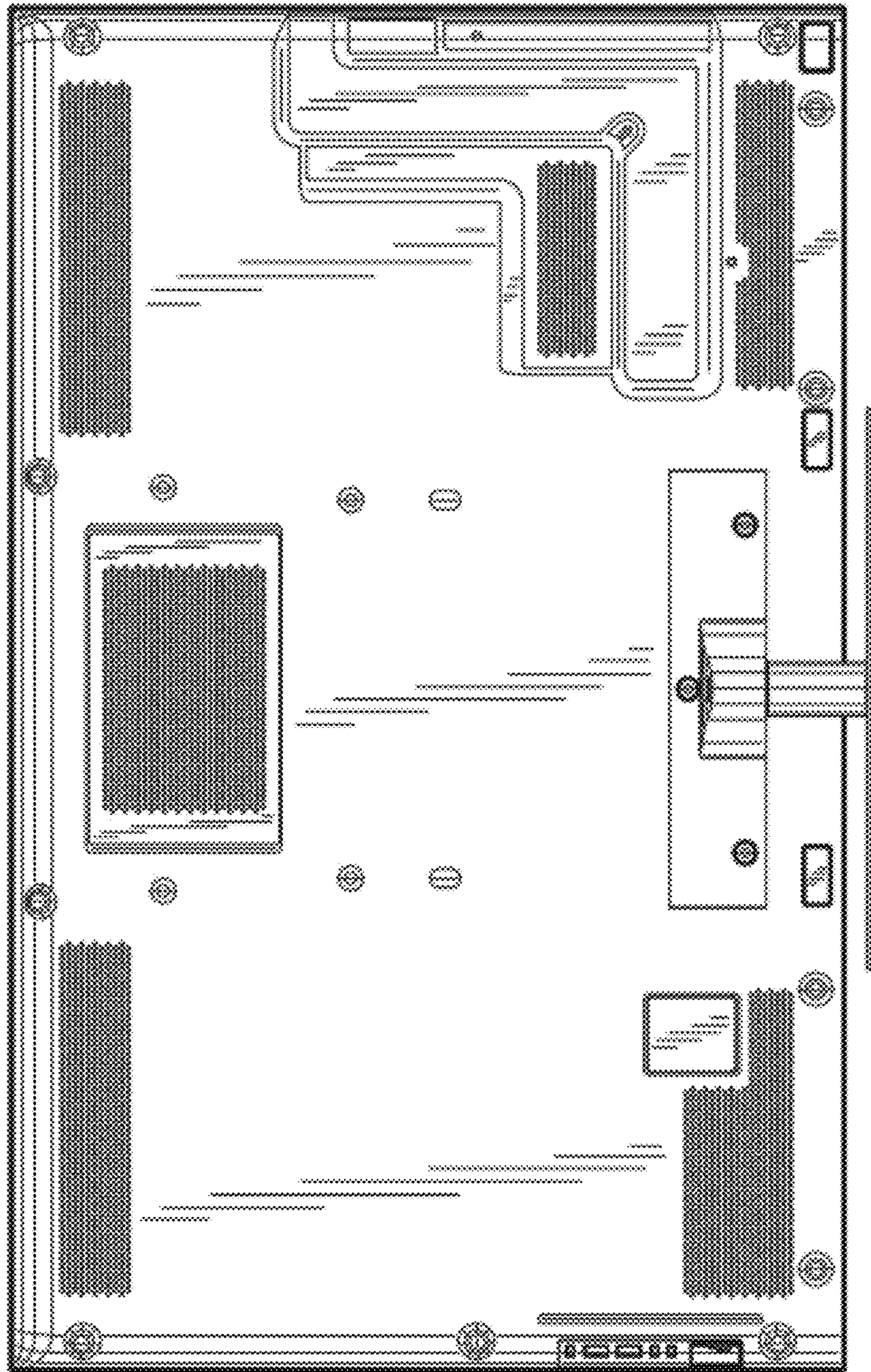


FIG.19

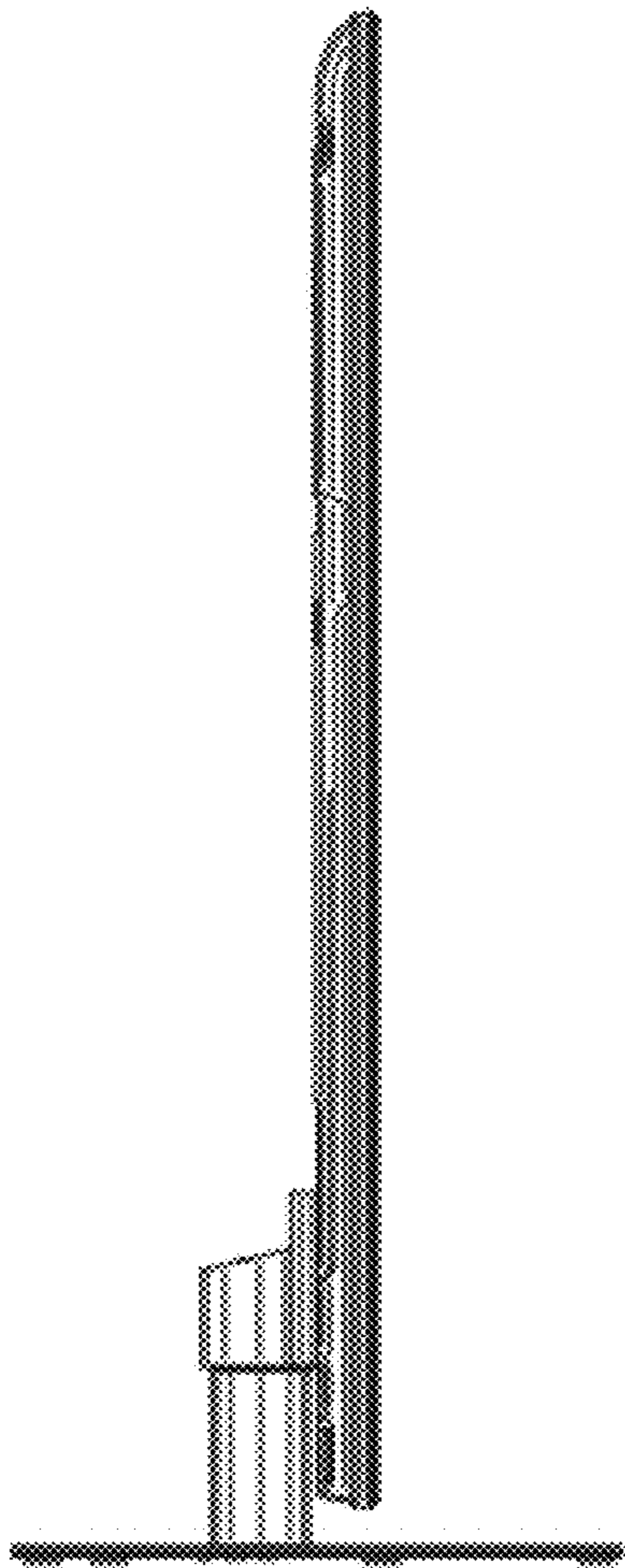


FIG.20

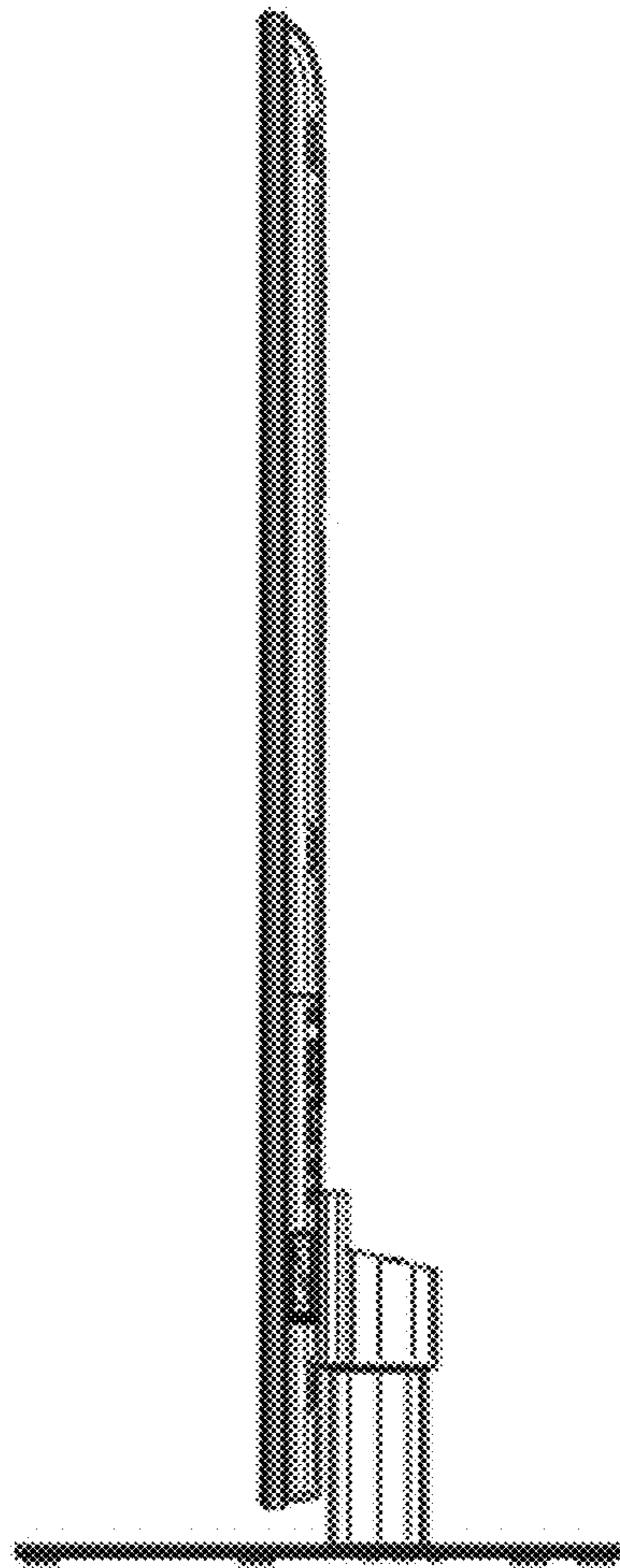


FIG.21

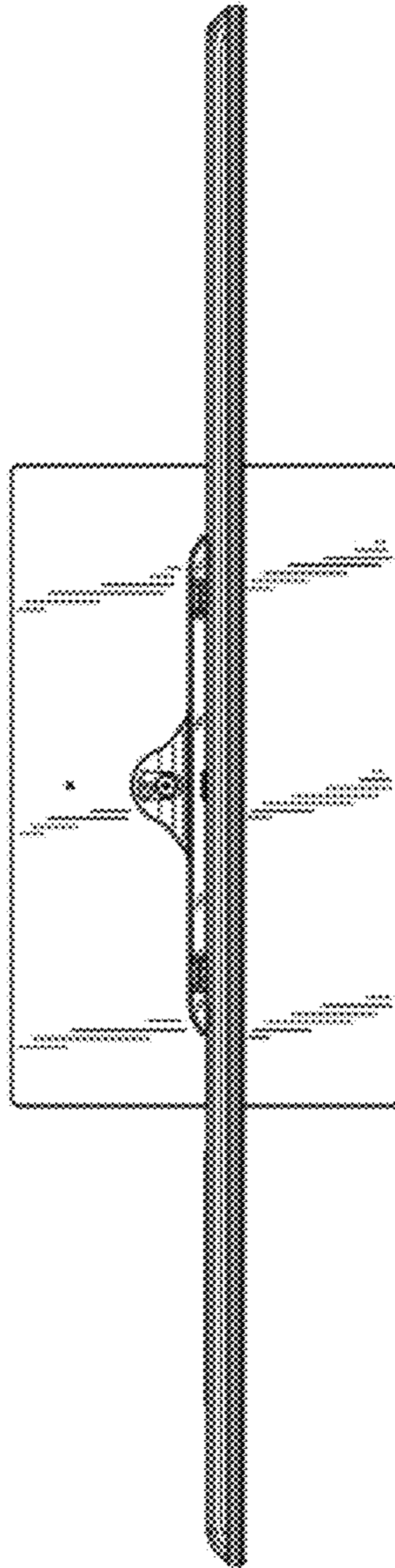


FIG.22

