



US00D677660S

(12) **United States Design Patent**
Groene et al.

(10) **Patent No.:** **US D677,660 S**
(45) **Date of Patent:** **** Mar. 12, 2013**

(54) **ELECTRONIC TABLET**

(75) Inventors: **Ralf Groene**, Kirkland, WA (US); **Hua Wang**, Sammamish, WA (US); **Anthony Reed**, Sammamish, WA (US); **Katherine Bailey**, Seattle, WA (US); **James Alec Ishihara**, Bellevue, WA (US); **Jan Raken**, Seattle, WA (US)

(73) Assignee: **Microsoft Corporation**, Redmond, WA (US)

(**) Term: **14 Years**

(21) Appl. No.: **29/422,117**

(22) Filed: **May 16, 2012**

(51) **LOC (9) Cl.** **14-02**

(52) **U.S. Cl.** **D14/341**

(58) **Field of Classification Search** D14/341-347, D14/336, 337, 371, 374, 138, 496; D10/65; 345/901, 104, 133, 156, 168, 173; 348/180, 348/184, 325, 739, 373, 376; 385/88; 710/62; 455/575.3, 575.1; D19/60; 361/679.27; 178/18.03; 434/317

See application file for complete search history.

(56) **References Cited**

U.S. PATENT DOCUMENTS

D333,574 S *	3/1993	Ackeret	D6/300
D426,548 S	6/2000	Oross		
D492,684 S	7/2004	Ozolins		
D500,037 S *	12/2004	Ozolins et al.	D14/375
6,882,524 B2	4/2005	Ulla		
D504,889 S *	5/2005	Andre et al.	D14/341
D543,979 S	6/2007	Lee		
7,299,580 B2	11/2007	Wang		
D557,259 S *	12/2007	Hirsch	D14/217
D558,460 S	1/2008	Yu		
7,342,776 B1	3/2008	Chan		
D579,939 S	11/2008	Skillman		
D584,304 S	1/2009	Lin		
D585,399 S	1/2009	Hwang		
D601,353 S *	10/2009	Sadler et al.	D6/308
D603,398 S	11/2009	Watson		
D609,705 S *	2/2010	Andre et al.	D14/374

D613,286 S	4/2010	Lee		
D615,527 S	5/2010	Hwang		
D616,448 S	5/2010	Skillman		
D617,793 S *	6/2010	Chiang et al.	D14/341
D622,240 S *	8/2010	Liu et al.	D14/126
D627,343 S	11/2010	Andre		
D627,777 S *	11/2010	Akana et al.	D14/341
D627,779 S	11/2010	Liao		
D629,216 S *	12/2010	Stoddard	D6/308
D629,800 S	12/2010	Seong		
D630,207 S	1/2011	Seong		
D631,469 S	1/2011	Demskie		
D631,474 S	1/2011	Green		
D632,687 S	2/2011	Seong		
D632,688 S	2/2011	Seong		
D633,090 S *	2/2011	Andre et al.	D14/341

(Continued)

FOREIGN PATENT DOCUMENTS

EM 001911983 2/2011

OTHER PUBLICATIONS

Microsoft Surface, posted Nov. 16, 2012 [online], [retrieved Dec. 12, 2012]. Retrieved from Internet, <http://reviews.cnet.co.uk>.*

Primary Examiner — Barbara Fox

(74) *Attorney, Agent, or Firm* — Banner & Witcoff, Ltd.

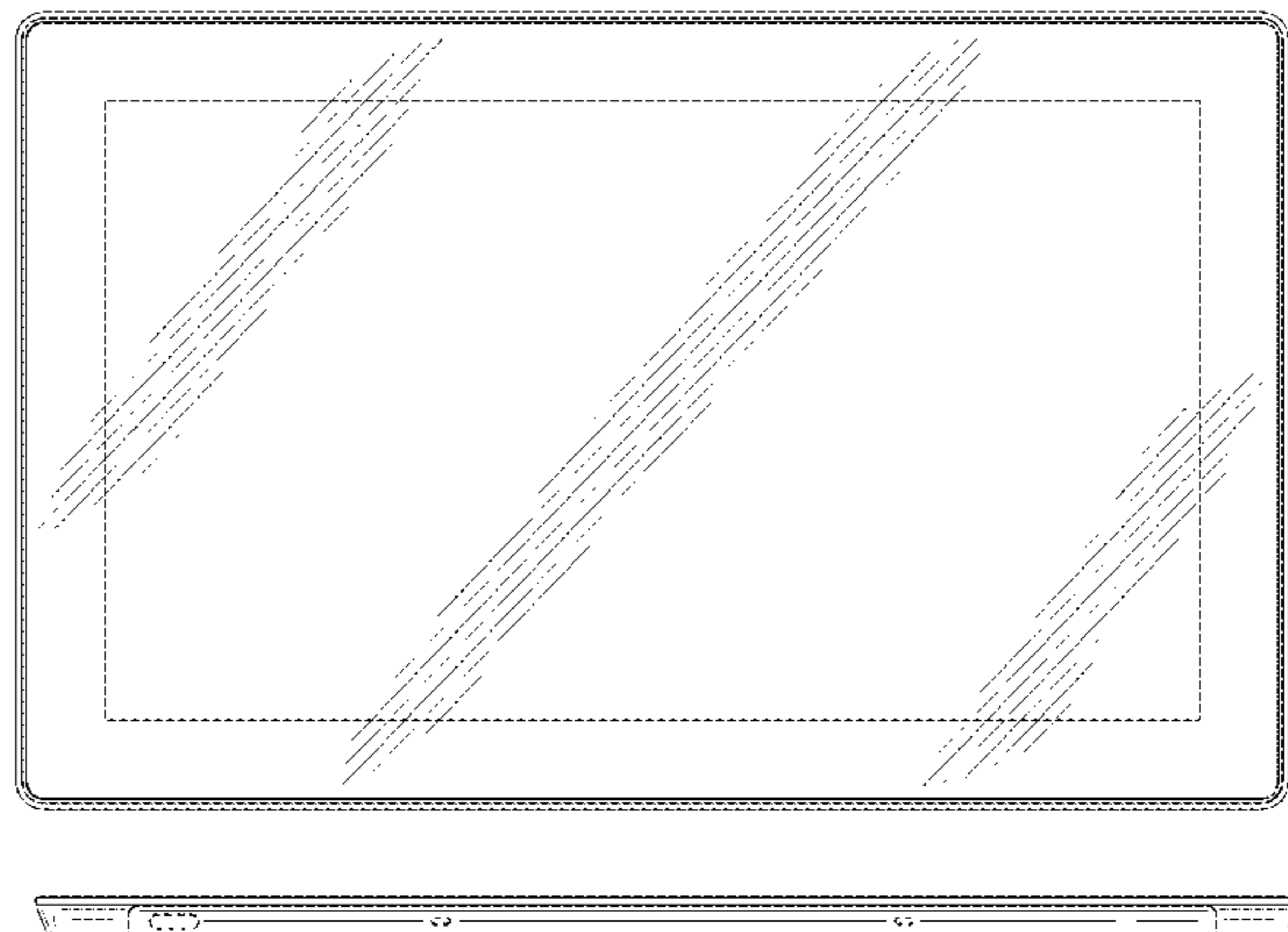
(57) **CLAIM**

The ornamental design for an electronic tablet, as shown and described.

DESCRIPTION

FIG. 1 is a front isometric view of an electronic tablet showing our new design; FIG. 2 is a rear isometric view thereof; FIG. 3 is a front view thereof; FIG. 4 is a top view thereof; FIG. 5 is a bottom view thereof; FIG. 6 is a left side view thereof; FIG. 7 is a right side view thereof; and, FIG. 8 is a rear view thereof. The broken lines shown in the drawings represent portions of the electronic tablet which form no part of the claimed design.

1 Claim, 5 Drawing Sheets



US D677,660 S

Page 2

U.S. PATENT DOCUMENTS

D633,091 S *	2/2011	Andre et al.	D14/341	D656,137 S	3/2012	Chung	
D636,768 S	4/2011	Chan		D659,139 S	5/2012	Gengler	
D636,770 S	4/2011	Li		D663,281 S *	7/2012	Hwang	D14/138 G
D637,596 S *	5/2011	Akana et al.	D14/341	D664,954 S	8/2012	Kim	
D637,597 S	5/2011	Seong		D665,370 S *	8/2012	Chung	D14/138 AD
D638,419 S	5/2011	Ishiharada		D667,397 S *	9/2012	Koh	D14/341
D638,833 S	5/2011	Chuang		D667,398 S *	9/2012	Koh	D14/341
D638,836 S	5/2011	Daniel		D667,399 S *	9/2012	Koh	D14/341
D641,016 S	7/2011	Takahashi		D668,650 S *	10/2012	Han	D14/341
D641,017 S	7/2011	Meng		D668,651 S *	10/2012	Kim et al.	D14/341
D641,018 S *	7/2011	Lee et al.	D14/341	D669,069 S	10/2012	Akana et al.	
D642,563 S *	8/2011	Akana et al.	D14/341	D669,468 S	10/2012	Akana et al.	
D645,465 S	9/2011	Lin		D670,286 S	11/2012	Akana et al.	
D646,902 S *	10/2011	Woo et al.	D6/308	D671,514 S *	11/2012	Kim et al.	D14/138 G
D649,190 S	11/2011	Goodall		D671,940 S *	12/2012	Kim	D14/374
D650,380 S	12/2011	Ballout		2005/0052831 A1	3/2005	Chen	
D652,418 S *	1/2012	Rashid et al.	D14/341	2006/0237599 A1 *	10/2006	Ternus et al.	248/176.1
D654,074 S *	2/2012	Wood et al.	D14/341	2012/0140396 A1	6/2012	Zeliff	
D654,497 S	2/2012	Lee		2012/0194448 A1	8/2012	Rothkopf	
D656,136 S	3/2012	Lee					

* cited by examiner

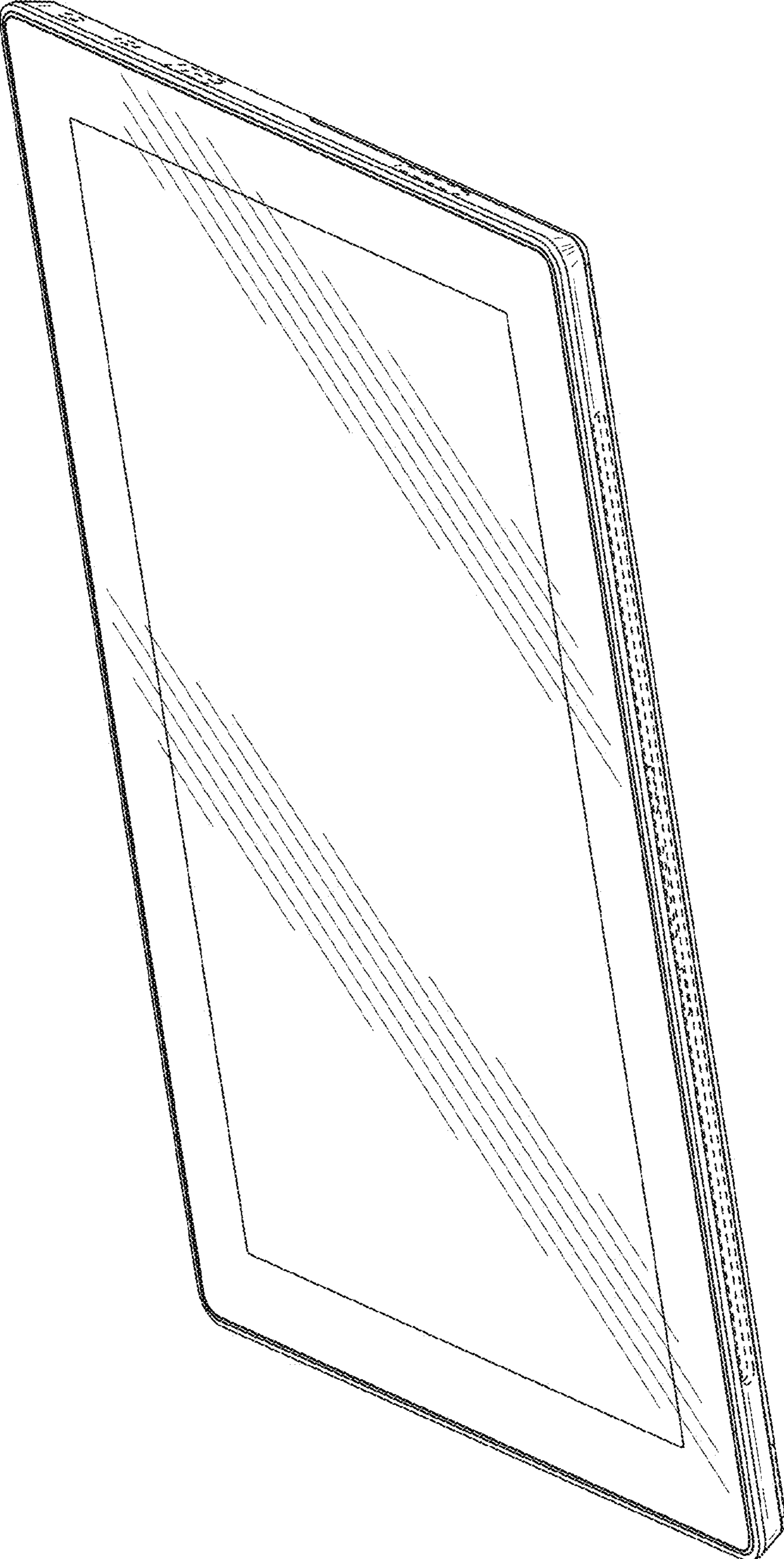


FIG. 1

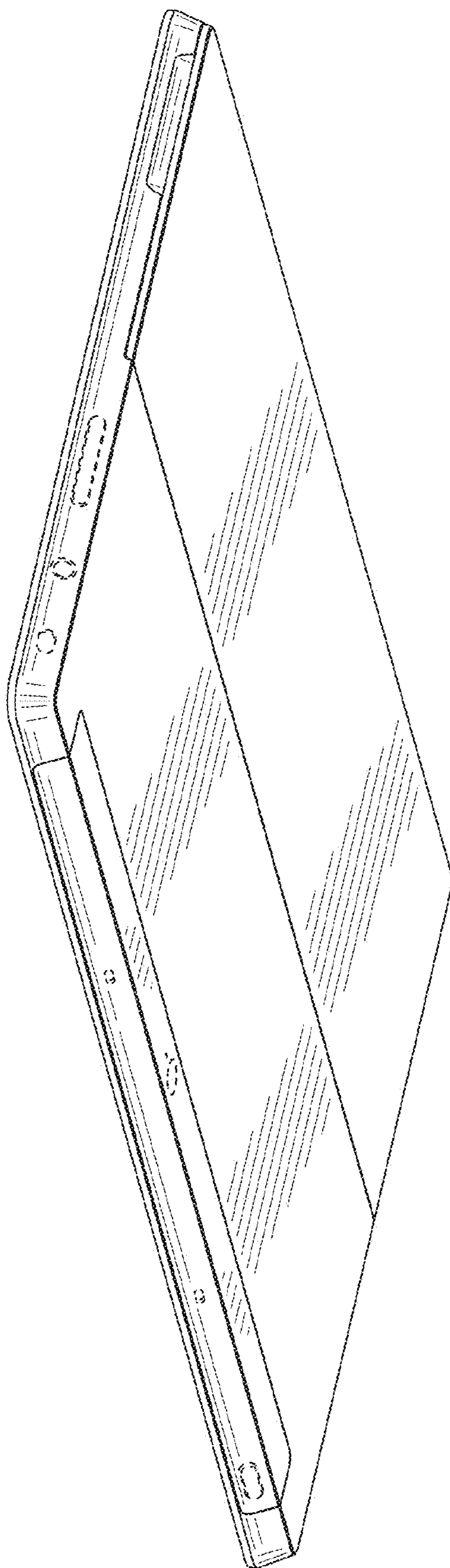


FIG. 2

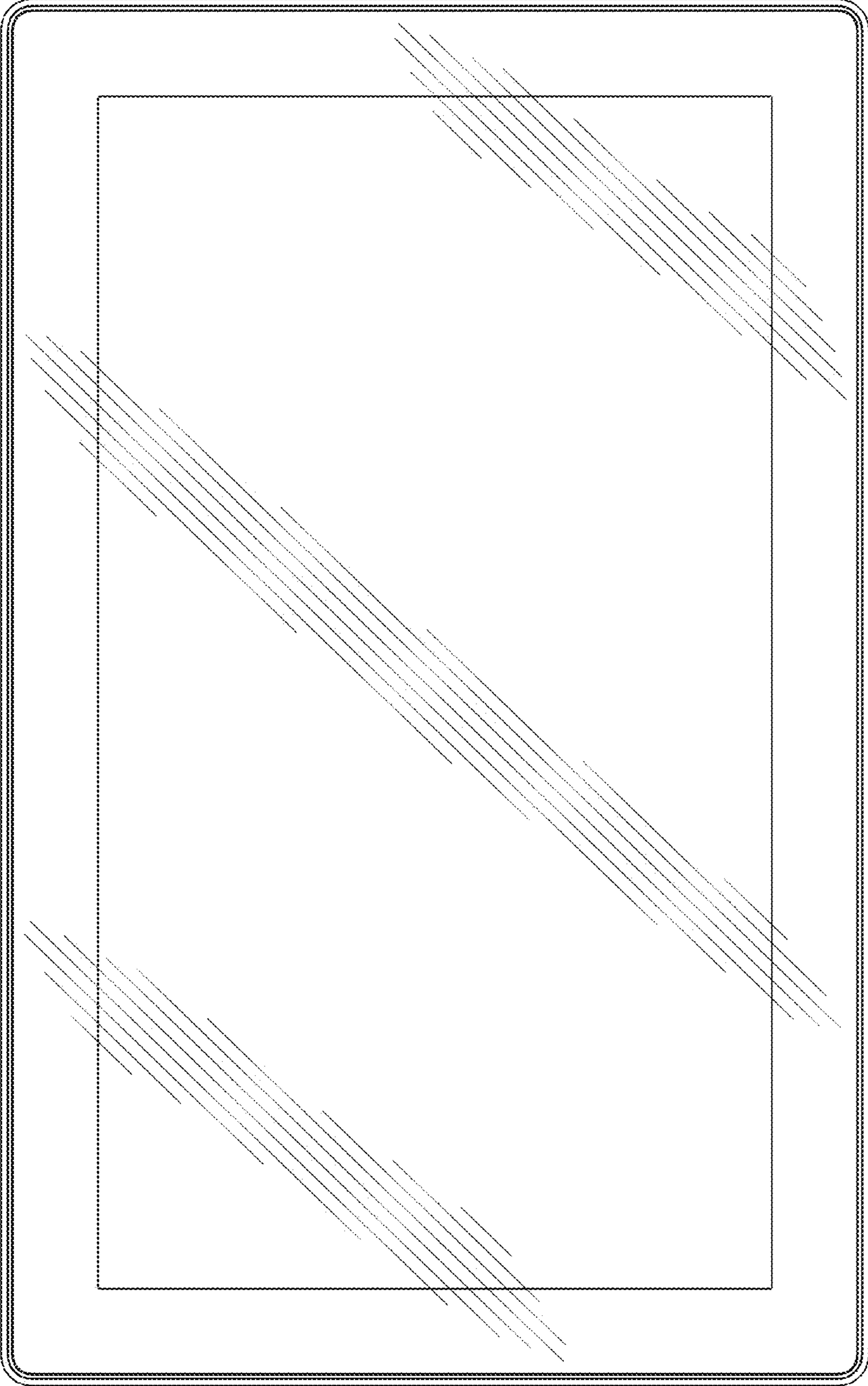


FIG. 3



FIG. 4

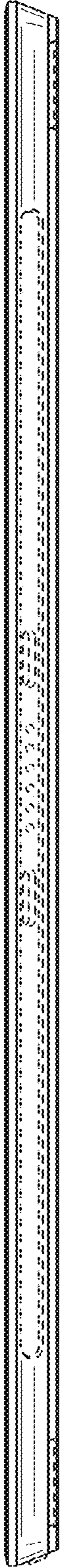


FIG. 5



FIG. 6

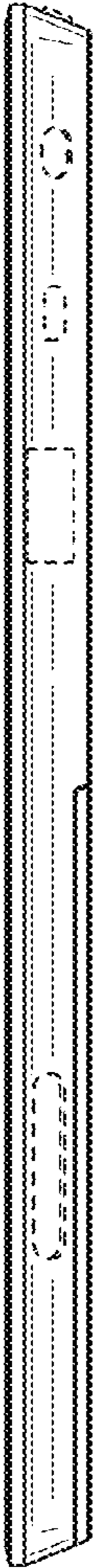


FIG. 7

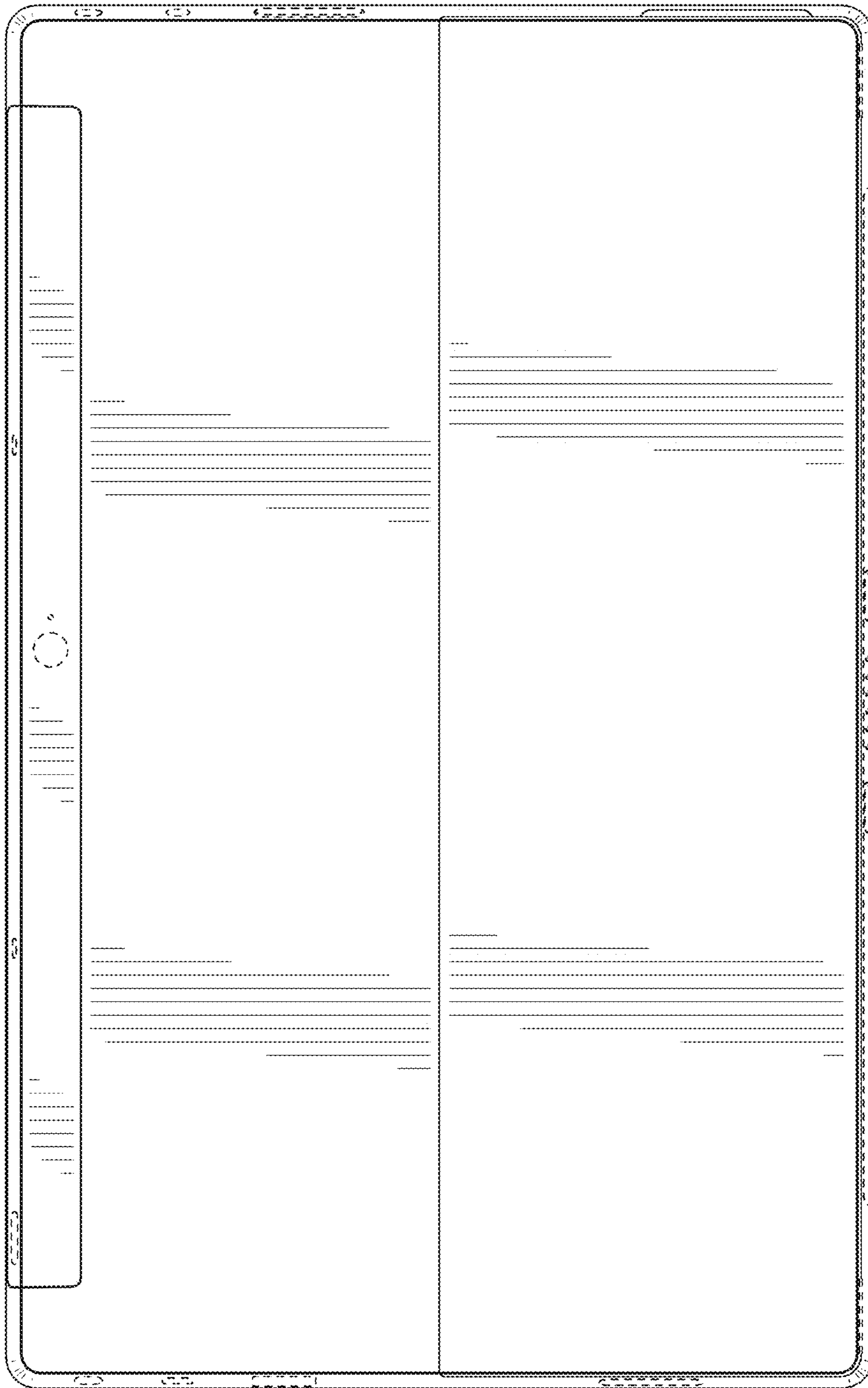


FIG. 8