



US00D677656S

(12) **United States Design Patent**
Ashcraft et al.

(10) **Patent No.:** **US D677,656 S**
(45) **Date of Patent:** **** Mar. 12, 2013**

(54) **LAPTOP COMPUTER**

(75) Inventors: **Britt C. Ashcraft**, Tomball, TX (US);
Eric Chen, Houston, TX (US); **Sandie N. Cheng**, Cypress, TX (US)

(73) Assignee: **Hewlett-Packard Development Company, L.P.**, Houston, TX (US)

(**) Term: **14 Years**

(21) Appl. No.: **29/403,482**

(22) Filed: **Oct. 6, 2011**

(51) **LOC (9) Cl.** **14-02**

(52) **U.S. Cl.** **D14/315; D14/455**

(58) **Field of Classification Search** D14/315-327;
D18/1, 2, 7, 11; 235/145 A, 145 R; 341/22,
341/23; 345/104, 156, 168, 169, 173; 361/679.08,
361/679.09, 679.11-679.17, 679.26, 679.27
See application file for complete search history.

(56) **References Cited**

U.S. PATENT DOCUMENTS

6,697,251	B1 *	2/2004	Aisenberg	361/679.09
D574,378	S *	8/2008	Andre et al.	D14/315
D623,645	S *	9/2010	Andre et al.	D14/315
2009/0231792	A1 *	9/2009	Ligtenberg	361/679.08
2010/0045606	A1 *	2/2010	Liu et al.	345/168
2010/0051343	A1 *	3/2010	Lam	174/350

2010/0067182	A1 *	3/2010	Tanaka et al.	361/679.08
2010/0156794	A1 *	6/2010	Sauer et al.	345/168
2010/0284136	A1 *	11/2010	Carr et al.	361/679.09

* cited by examiner

Primary Examiner — Freda S Nunn

(74) *Attorney, Agent, or Firm* — Francisco-Javier Rubio-Sierra

(57) **CLAIM**

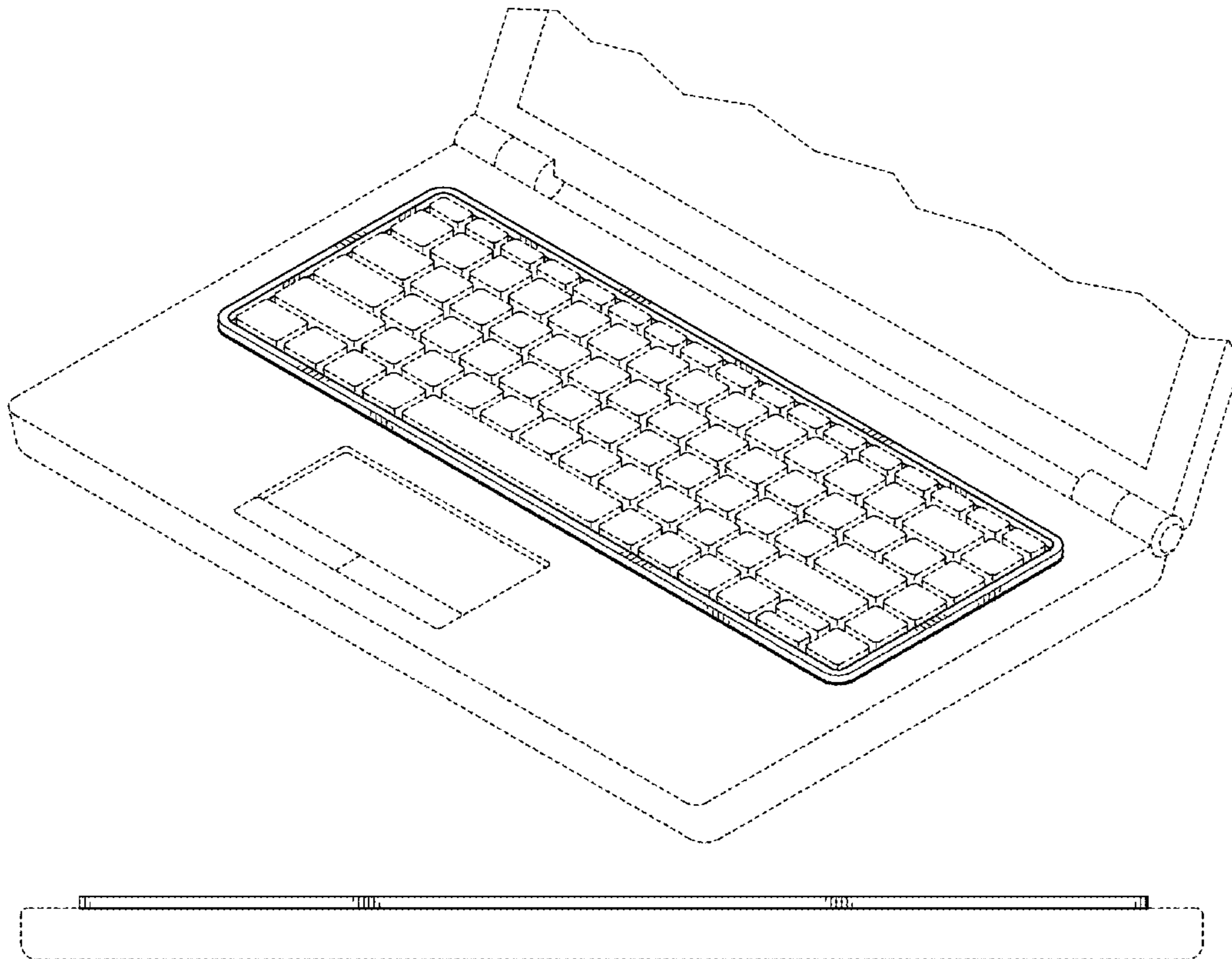
The ornamental design for a laptop computer, as shown and described.

DESCRIPTION

FIG. 1 is a perspective view of a laptop computer shown opened;
FIG. 2 is a top view thereof;
FIG. 3 is a front view thereof;
FIG. 4 is a back view thereof;
FIG. 5 is a right-side view thereof; and,
FIG. 6 is a left-side view thereof.

The broken lines shown in the drawings depicting a keyboard disposed on the lower portion of the laptop computer are included for additional clarity and form no part of the claimed design, and the broken lines shown in the drawings depicting the housing of the laptop computer are included for additional clarity and form no part of the claimed design.

1 Claim, 2 Drawing Sheets



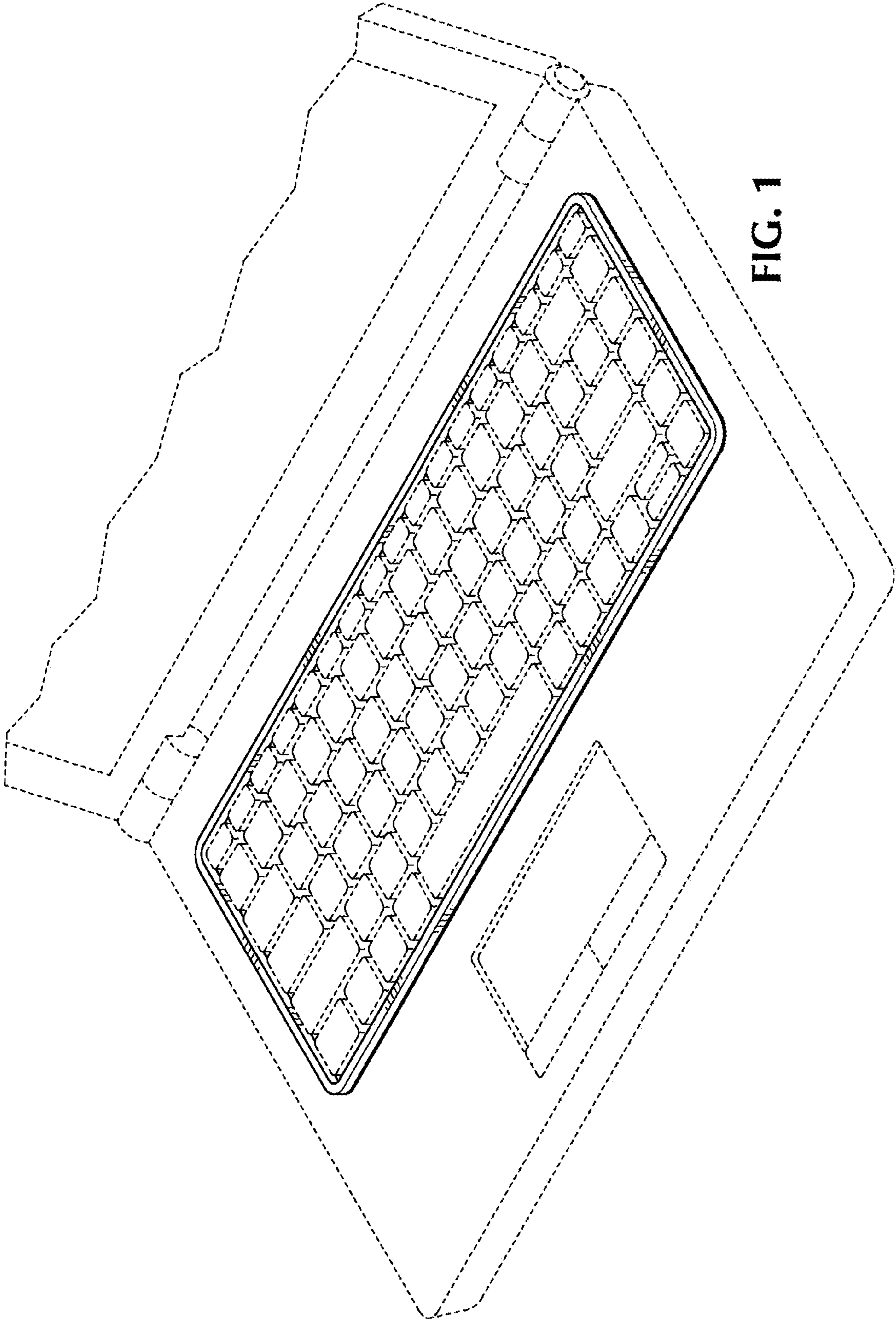


FIG. 1

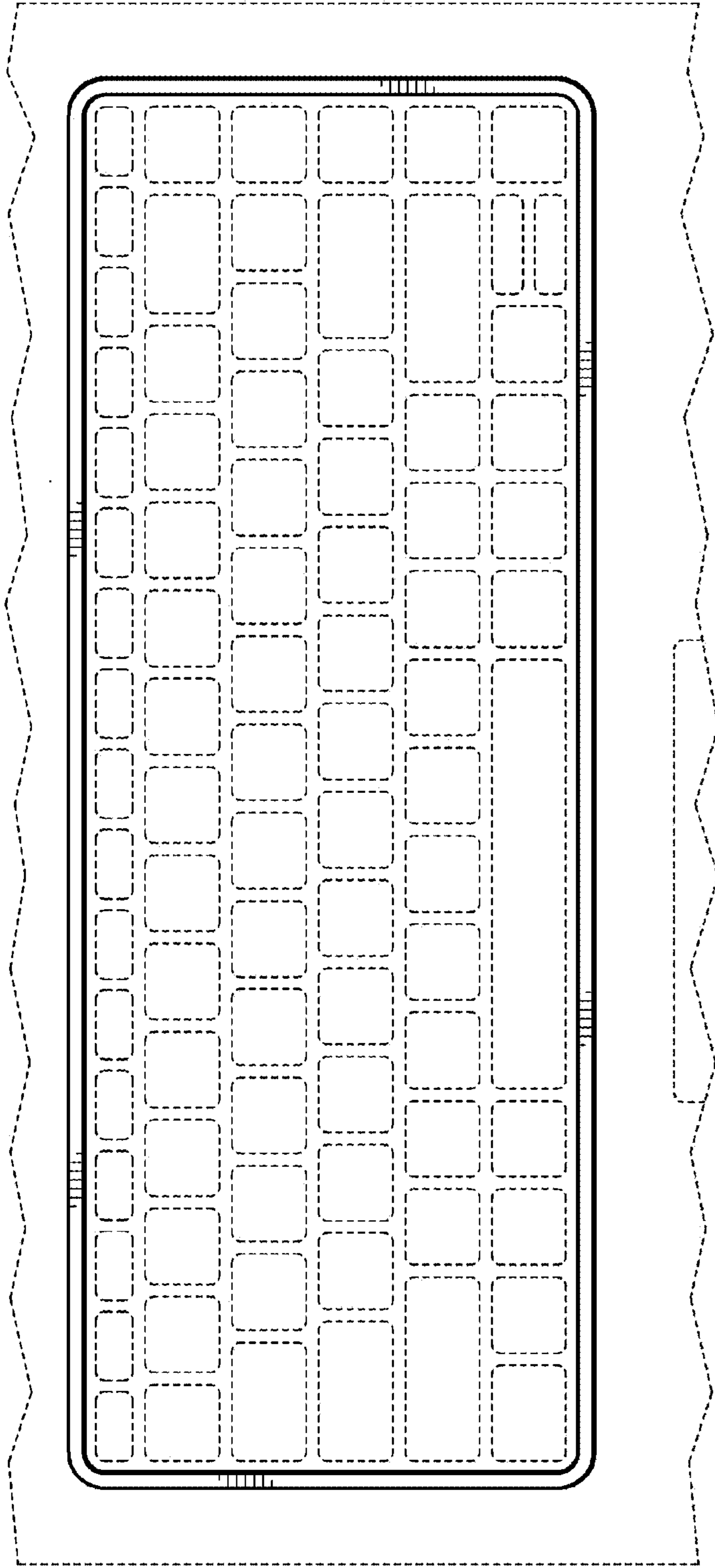


FIG. 2



FIG. 3



FIG. 4

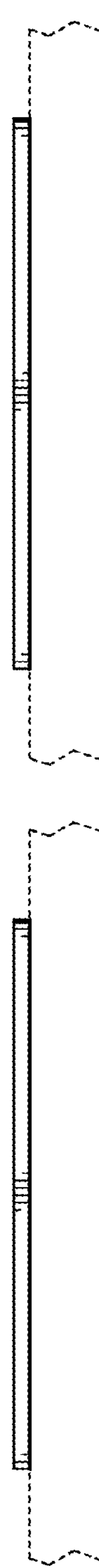


FIG. 5

FIG. 6