



US00D677655S

(12) **United States Design Patent**
Sirotych

(10) **Patent No.:** **US D677,655 S**
(45) **Date of Patent:** **** *Mar. 12, 2013**

(54) **TOUCH TABLE**

(75) Inventor: **Roberto A. L. Sirotych**, Calgary (CA)

(73) Assignee: **SMART Technologies ULC** (CA)

(*) Notice: This patent is subject to a terminal disclaimer.

(**) Term: **14 Years**

(21) Appl. No.: **29/325,293**

(22) Filed: **Sep. 29, 2008**

(51) **LOC (9) Cl.** **14-02**

(52) **U.S. Cl.** **D14/305; D14/371**

(58) **Field of Classification Search** D14/300-308,
D14/311, 312, 463, 371; D18/36-39; D16/221;
355/18, 78, 82, 83, 113, 114, 68; 356/432,
356/445; 358/475, 487; 705/36 R
See application file for complete search history.

(56) **References Cited**

U.S. PATENT DOCUMENTS

D318,660 S *	7/1991	Weber	D14/140.11
D353,368 S *	12/1994	Poulos	D14/305
D372,601 S *	8/1996	Roberts et al.	D6/422
D462,346 S *	9/2002	Abboud	D14/304
D462,678 S *	9/2002	Abboud	D14/304
6,867,886 B2 *	3/2005	Lassen	358/487
D571,365 S *	6/2008	Morelock et al.	D14/371
D571,803 S *	6/2008	Morelock et al.	D14/371
D571,804 S *	6/2008	Morelock et al.	D14/371

OTHER PUBLICATIONS

Press Release Contact: Patricia Corsaut, "Intuilab introduces IntuiFace, An interactive table and its application Platform", Nov. 30, 2007, Intuilab Press Release.

Overview page for IntuiFace by IntuiLab, Copyright 2008.
Jacob O. Wobbrock et al., "User-Defined Gestures for Surface Computing", CHI 2009, Apr. 4-9, 2009, Boston, Massachusetts, USA.
Martin Kaltенbrunner and Ross Bencina, "reactIVision 1.4", Released May 19, 2009 (ReacTIVision 1.0 was released Nov. 29, 2005), retrieved from <http://reactivision.sourceforge.net/#usage> on Dec. 15, 2009.

* cited by examiner

Primary Examiner — Freda S Nunn

(74) *Attorney, Agent, or Firm* — Katten Muchin Rosenman

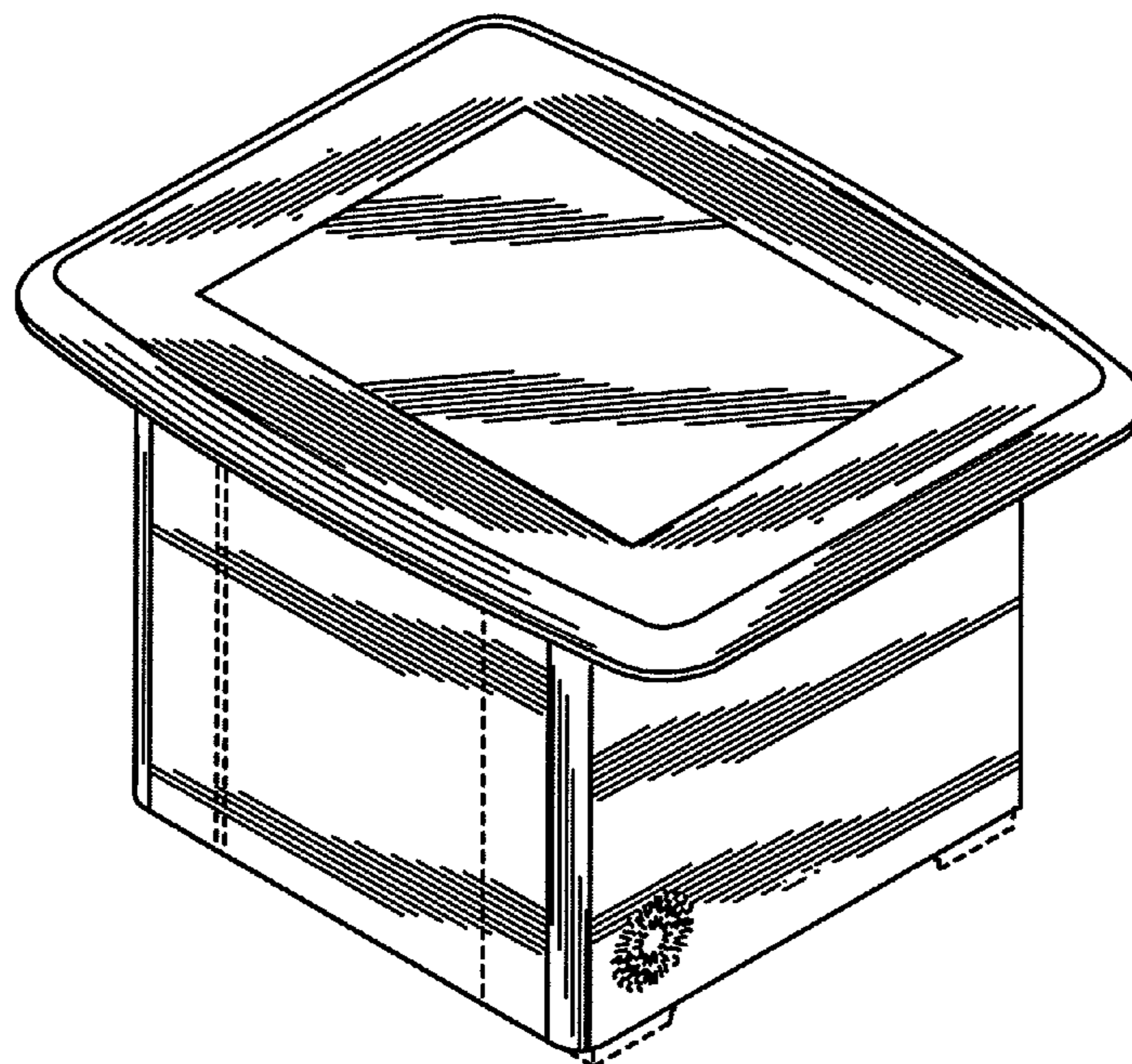
(57) **CLAIM**

The ornamental design for a touch table, as shown and described.

DESCRIPTION

FIG. 1 is a perspective view of the touch table showing my new design;
FIG. 2 is a top plan view of the touch table of FIG. 1;
FIG. 3 is a side elevational view of the touch table of FIG. 1;
FIG. 4 is another side elevational view of the touch table of FIG. 1;
FIG. 5 is yet another side elevational view of the touch table of FIG. 1;
FIG. 6 is a perspective view of another embodiment of the touch table showing my new design;
FIG. 7 is a top plan view of the touch table of FIG. 6;
FIG. 8 is a perspective view of another embodiment of the touch table showing my new design; and,
FIG. 9 is a top plan view of the touch table of FIG. 8;
Broken lines shown in the drawings illustrate portions of the touch table and form no part of the claimed design.

1 Claim, 9 Drawing Sheets



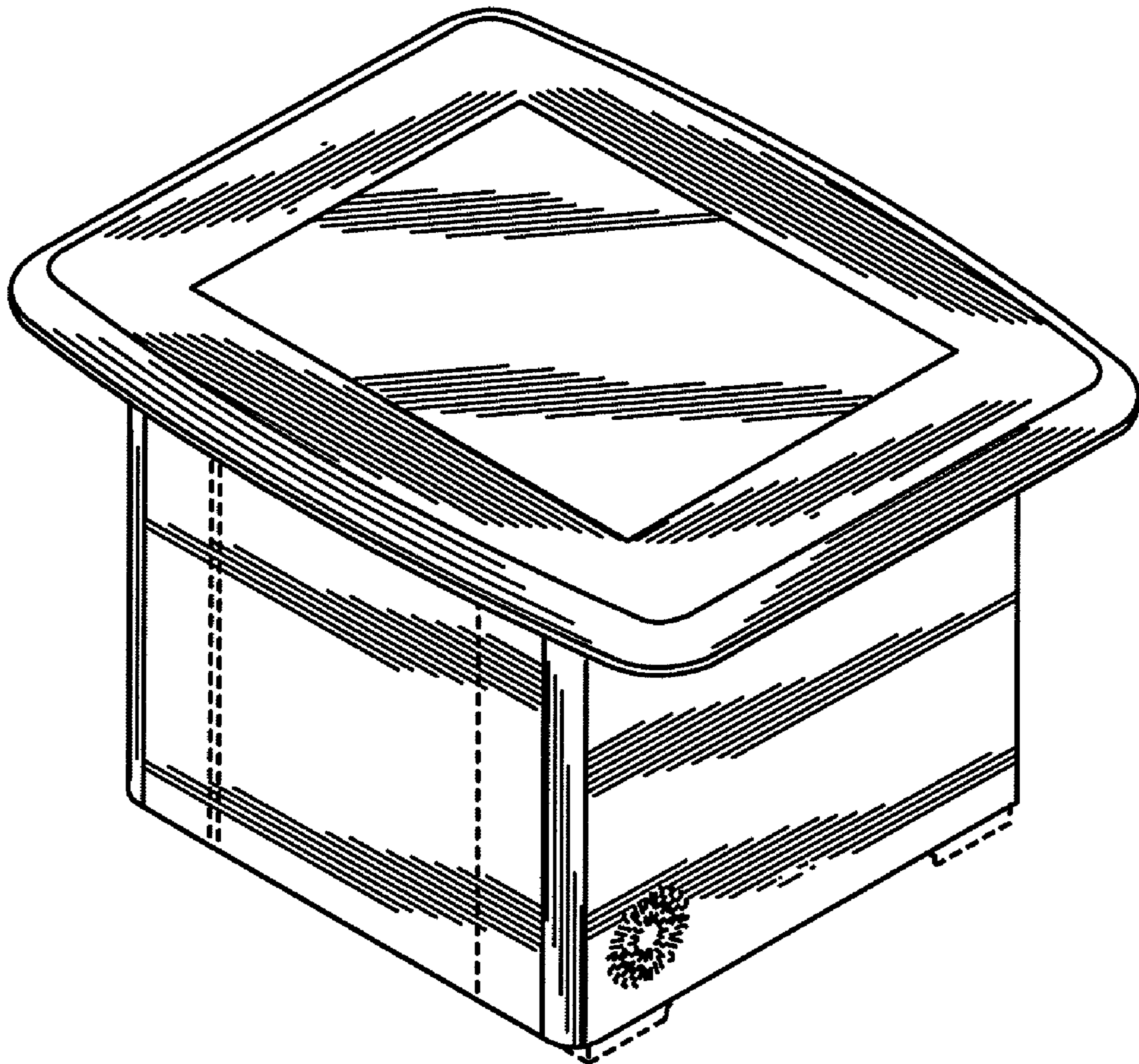


FIG. 1

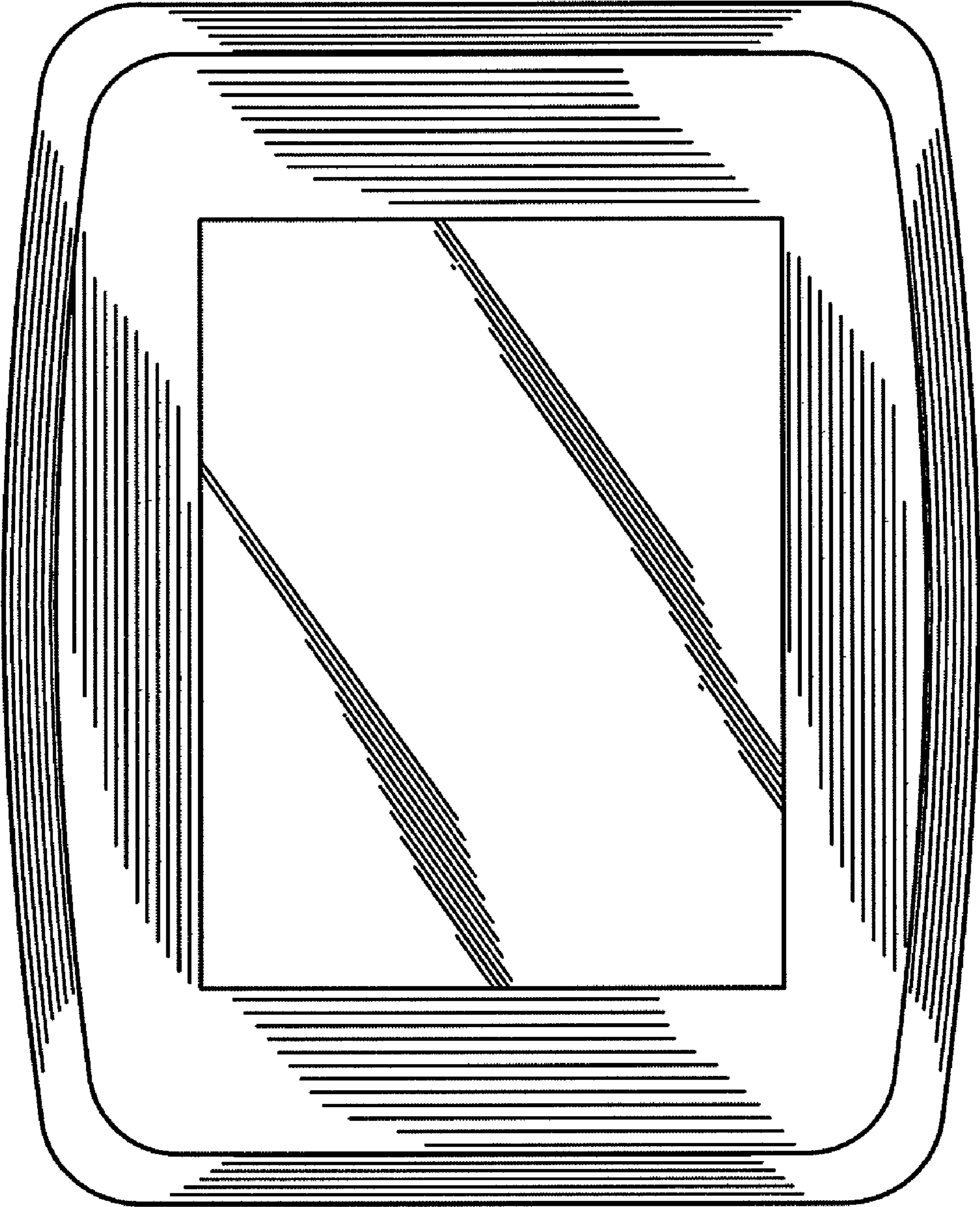


FIG. 2

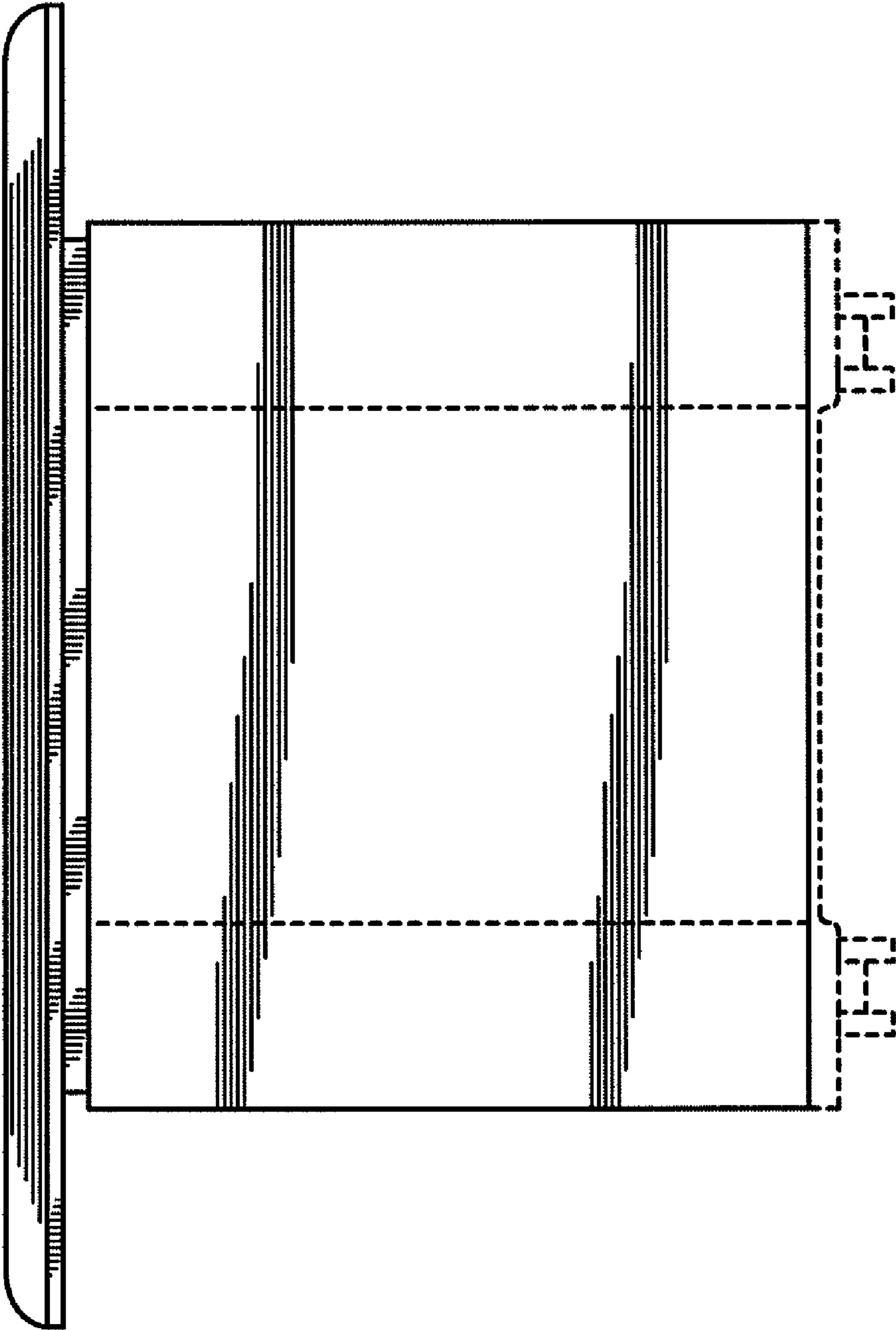


FIG. 3

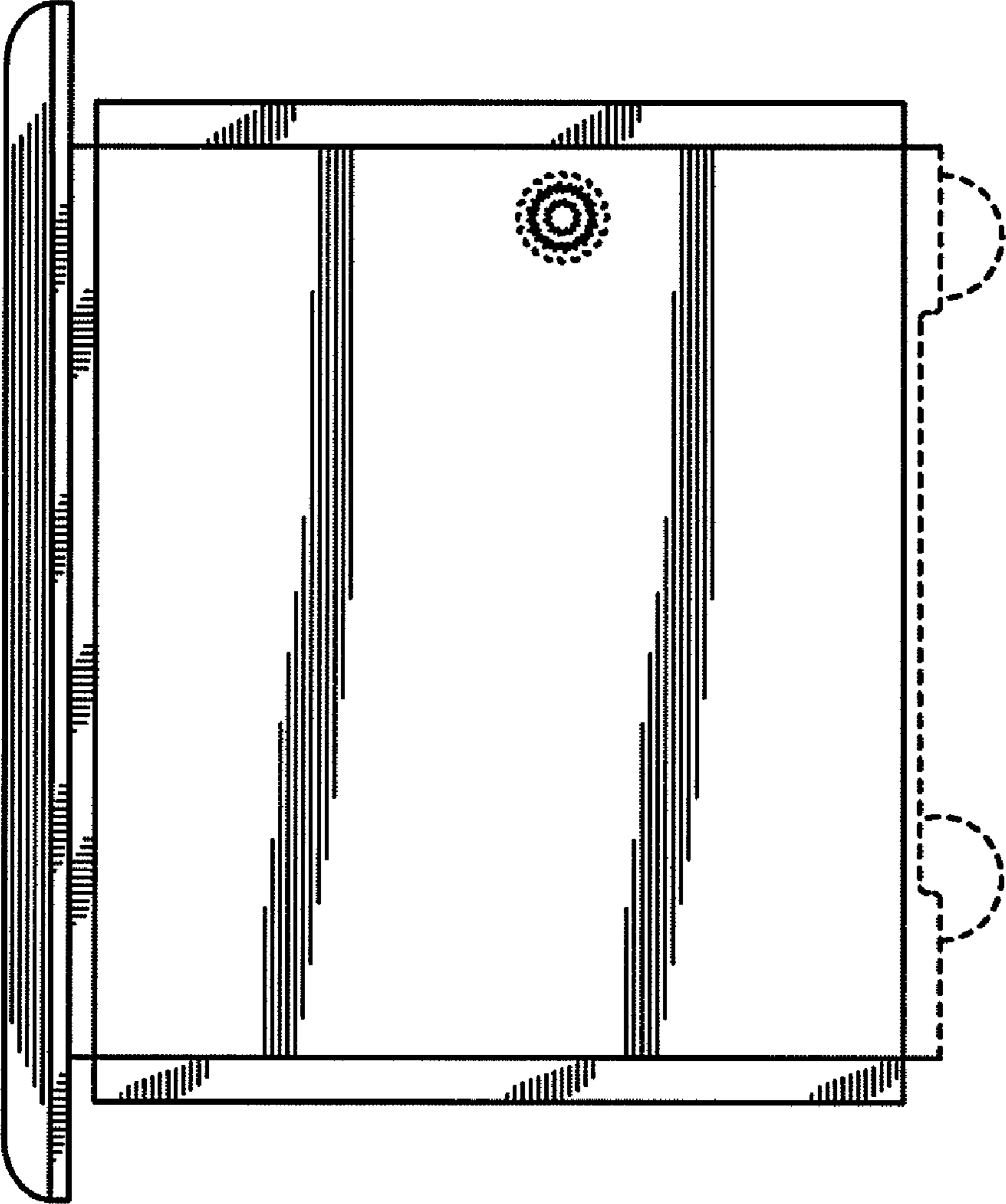


FIG. 4

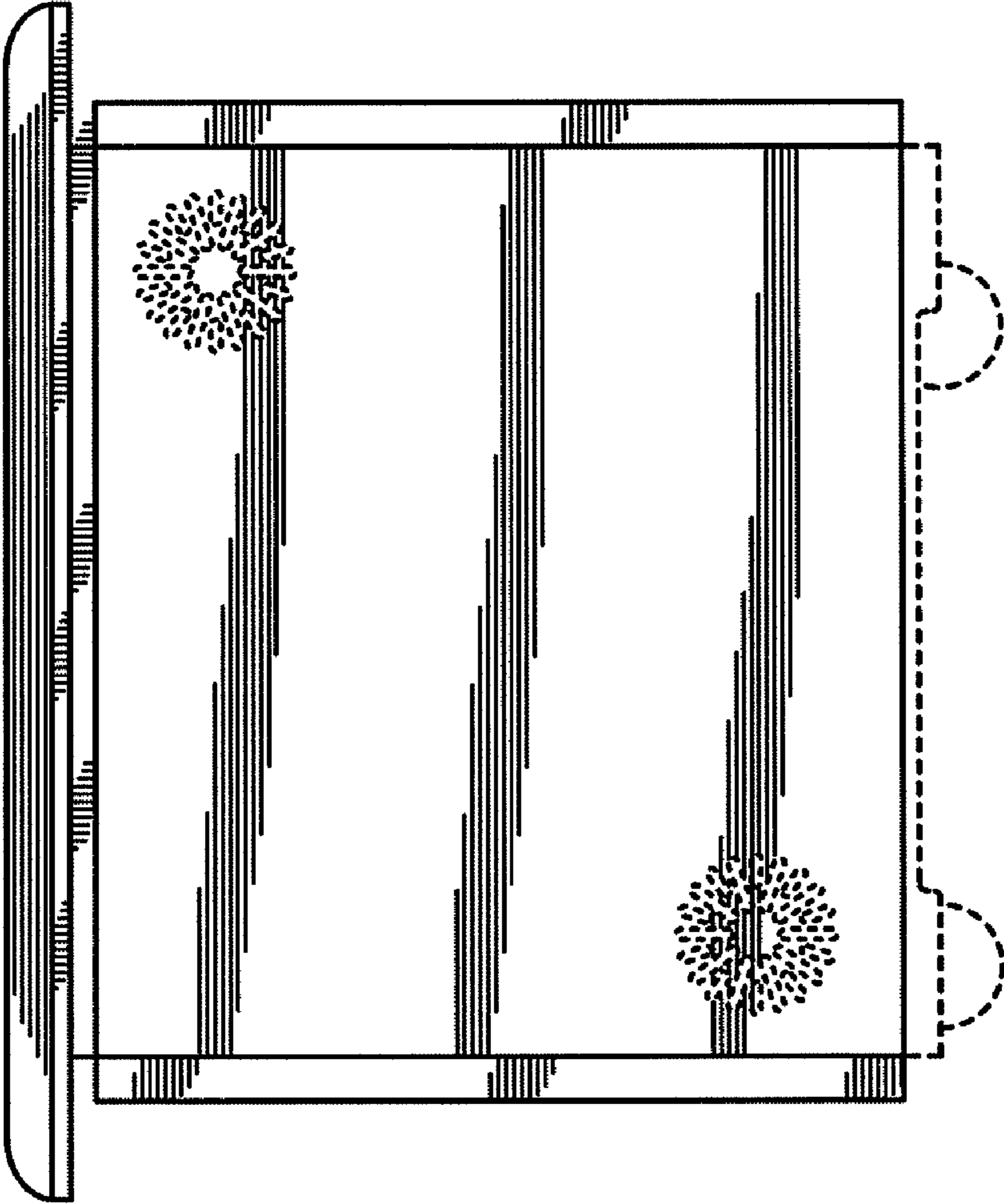


FIG. 5

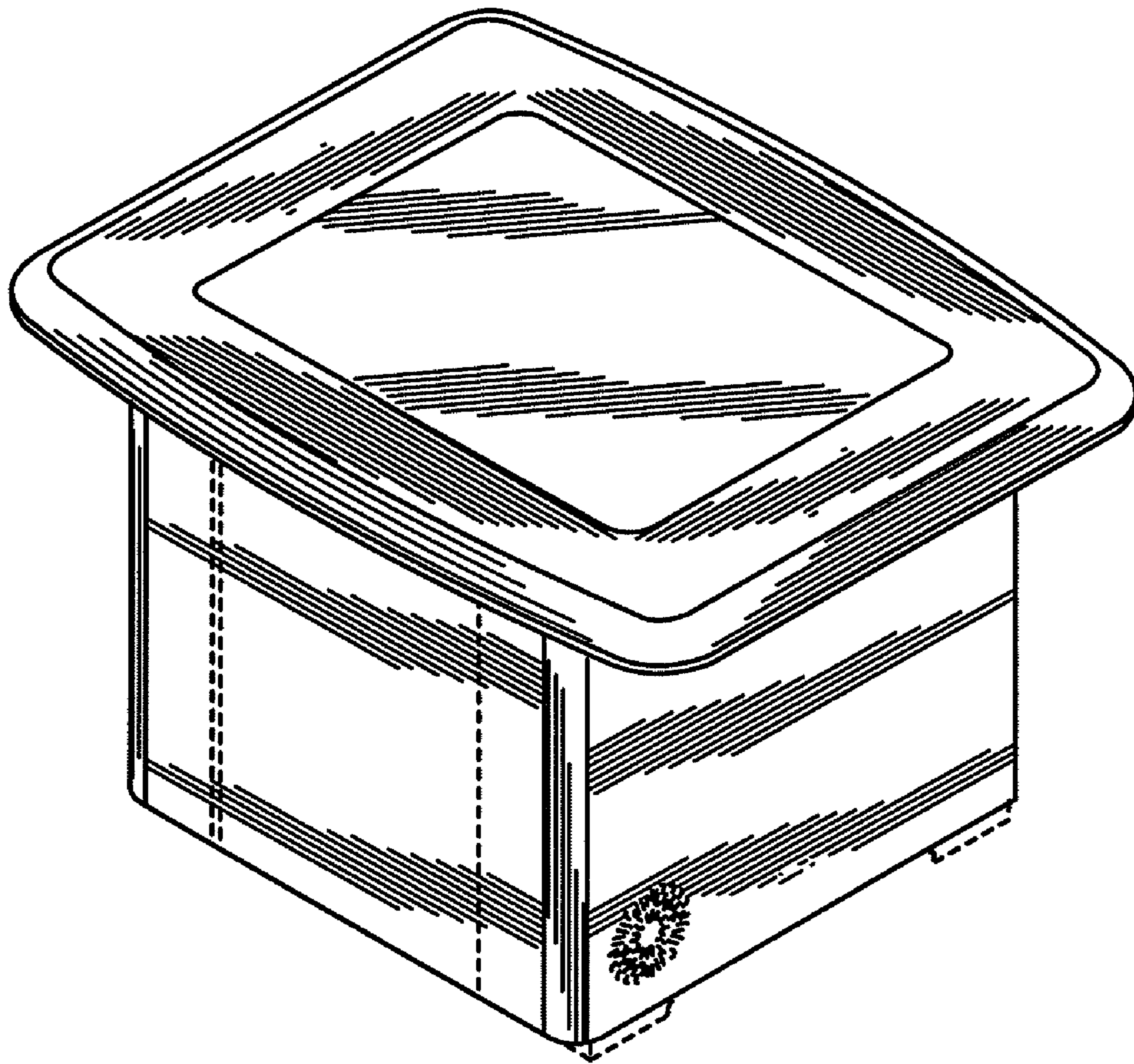


FIG. 6

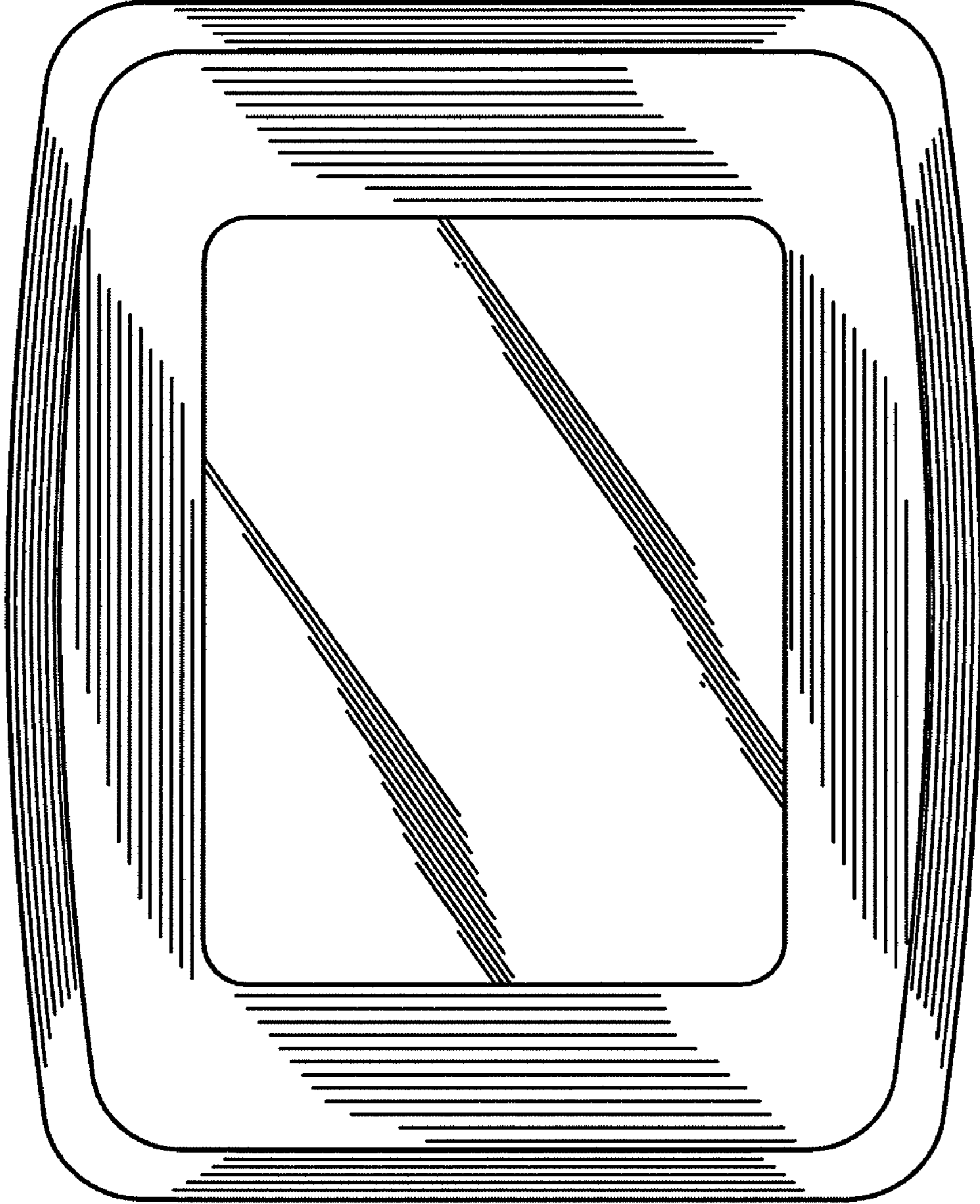


FIG. 7

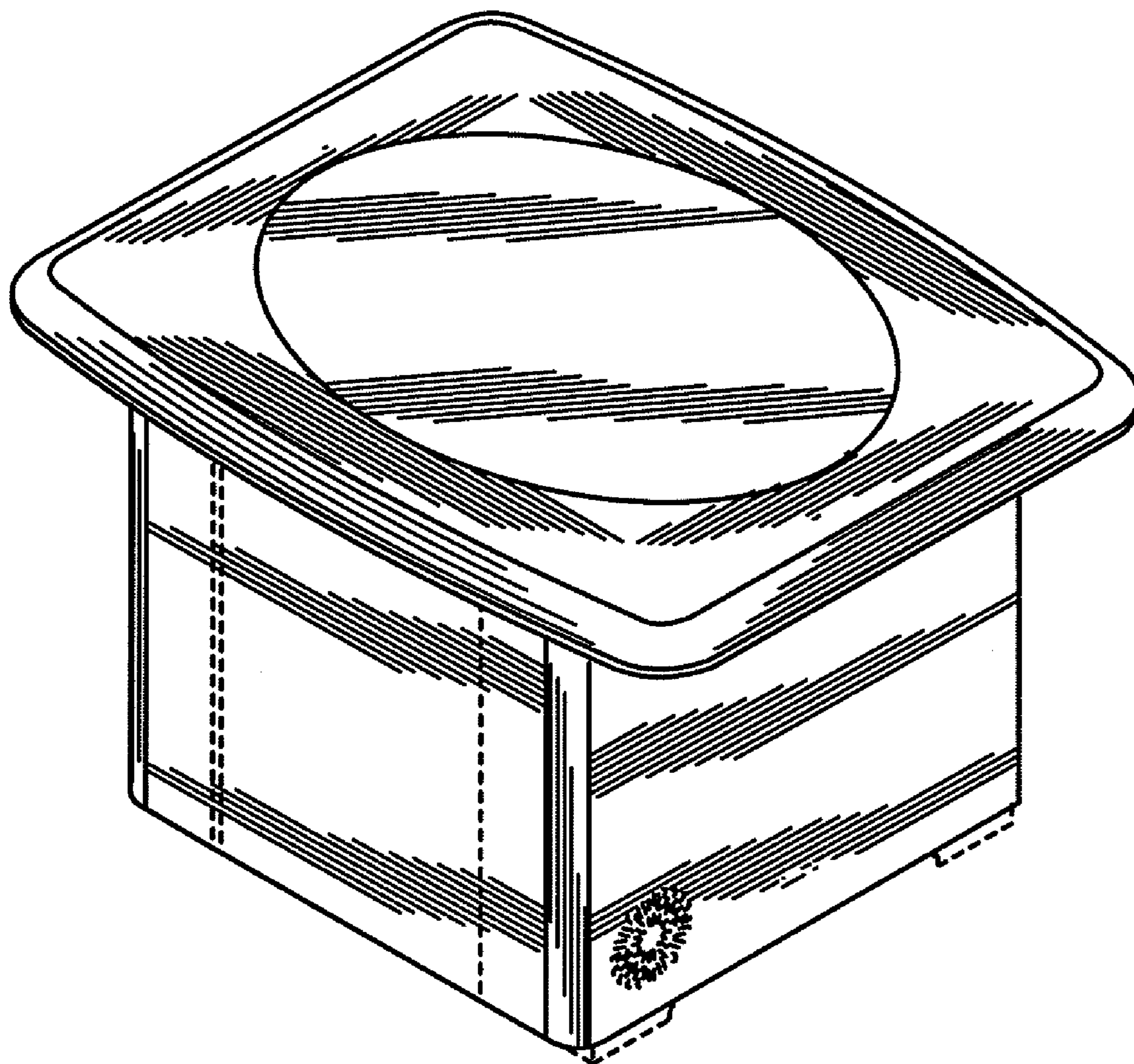


FIG. 8

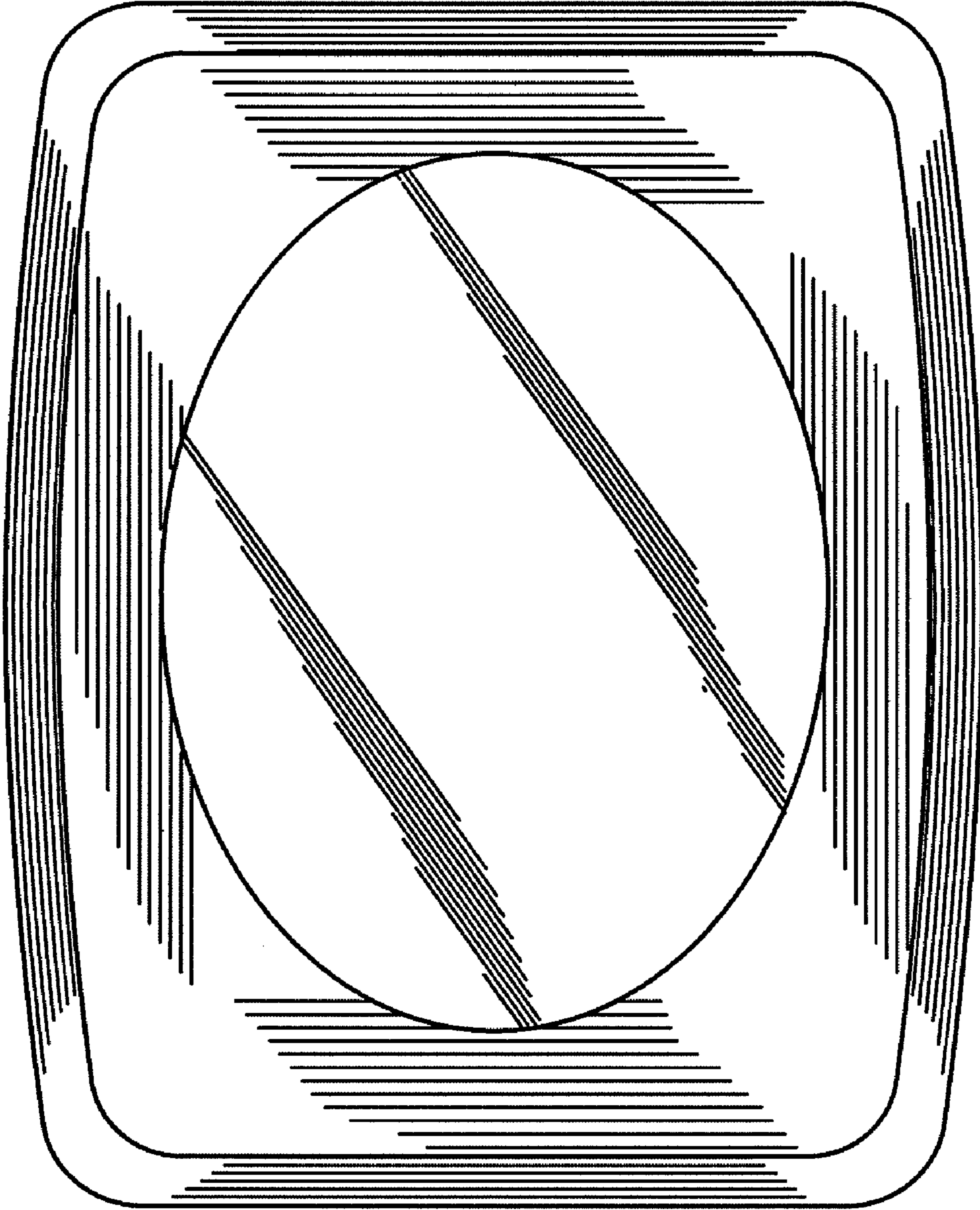


FIG. 9