



US00D677648S

(12) **United States Design Patent**  
**Lee et al.**

(10) **Patent No.:** **US D677,648 S**  
(45) **Date of Patent:** **\*\* Mar. 12, 2013**

(54) **AUDIO HEADSET**

(75) Inventors: **Noel Lee**, Las Vegas, NV (US);  
**Kendrew Lee**, Tsing Yi (HK); **Minki Bang**, Daly City, CA (US); **Jacky Hsiung**, San Jose, CA (US)

(73) Assignee: **Monster, LLC**, Las Vegas, NV (US)

(\*\*) Term: **14 Years**

(21) Appl. No.: **29/408,412**

(22) Filed: **Dec. 12, 2011**

(51) **LOC (9) Cl.** ..... **14-01**

(52) **U.S. Cl.** ..... **D14/206**

(58) **Field of Classification Search** ..... D14/205,  
D14/206, 227; 181/129, 130, 135; 379/430,  
379/431; 381/361, 362, 380, 381; D29/112;  
2/209; 455/90.3, 575.1

See application file for complete search history.

(56) **References Cited**

**U.S. PATENT DOCUMENTS**

2,353,070	A *	7/1944	Pitkin, Jr.	379/430
D254,183	S *	2/1980	Doodson	D14/205
4,926,961	A *	5/1990	Gathey et al.	181/22
D333,137	S *	2/1993	Burke	D14/206
D346,802	S *	5/1994	Sacherman et al.	D14/206
5,369,857	A *	12/1994	Sacherman et al.	29/594
D430,140	S *	8/2000	Roman	D14/205
D457,874	S *	5/2002	Yoneda	D14/205
D464,944	S	10/2002	Lee et al.	
D484,485	S *	12/2003	Matsuoka	D14/205
7,072,483	B2 *	7/2006	Lenhard-Backhaus	381/383
D540,301	S *	4/2007	Obata	D14/205
D540,777	S *	4/2007	Rausch et al.	D14/205
D540,778	S *	4/2007	Thompson et al.	D14/206
D552,077	S *	10/2007	Brunner et al.	D14/205
D563,382	S *	3/2008	Wikel	D14/205
D594,441	S	6/2009	Lee et al.	
D598,901	S	8/2009	Lee et al.	
D599,781	S	9/2009	Lee et al.	
D600,675	S	9/2009	Lee et al.	
D603,371	S *	11/2009	Boateng et al.	D14/205
D613,274	S	4/2010	Lee et al.	
D632,668	S *	2/2011	Brunner et al.	D14/205

D637,182	S	5/2011	Lee et al.	
D641,008	S	7/2011	Lee et al.	
D642,163	S	7/2011	Lee et al.	
D643,417	S	8/2011	Lee et al.	
D643,418	S	8/2011	Lee et al.	
D643,833	S	8/2011	Lee et al.	
D652,406	S *	1/2012	Lee et al.	D14/205
D660,823	S *	5/2012	Hardi et al.	D14/205
D660,824	S *	5/2012	Hardi et al.	D14/205
D662,080	S *	6/2012	Carr et al.	D14/205
D663,716	S *	7/2012	Hardi et al.	D14/205
D664,116	S *	7/2012	Hutchieson	D14/205
D664,117	S *	7/2012	Tappeiner et al.	D14/205
D664,118	S *	7/2012	Tappeiner et al.	D14/205
D666,991	S *	9/2012	Lee et al.	D14/205

\* cited by examiner

*Primary Examiner* — Paula Greene

(74) *Attorney, Agent, or Firm* — LaRiviere, Grubman & Payne, LLP

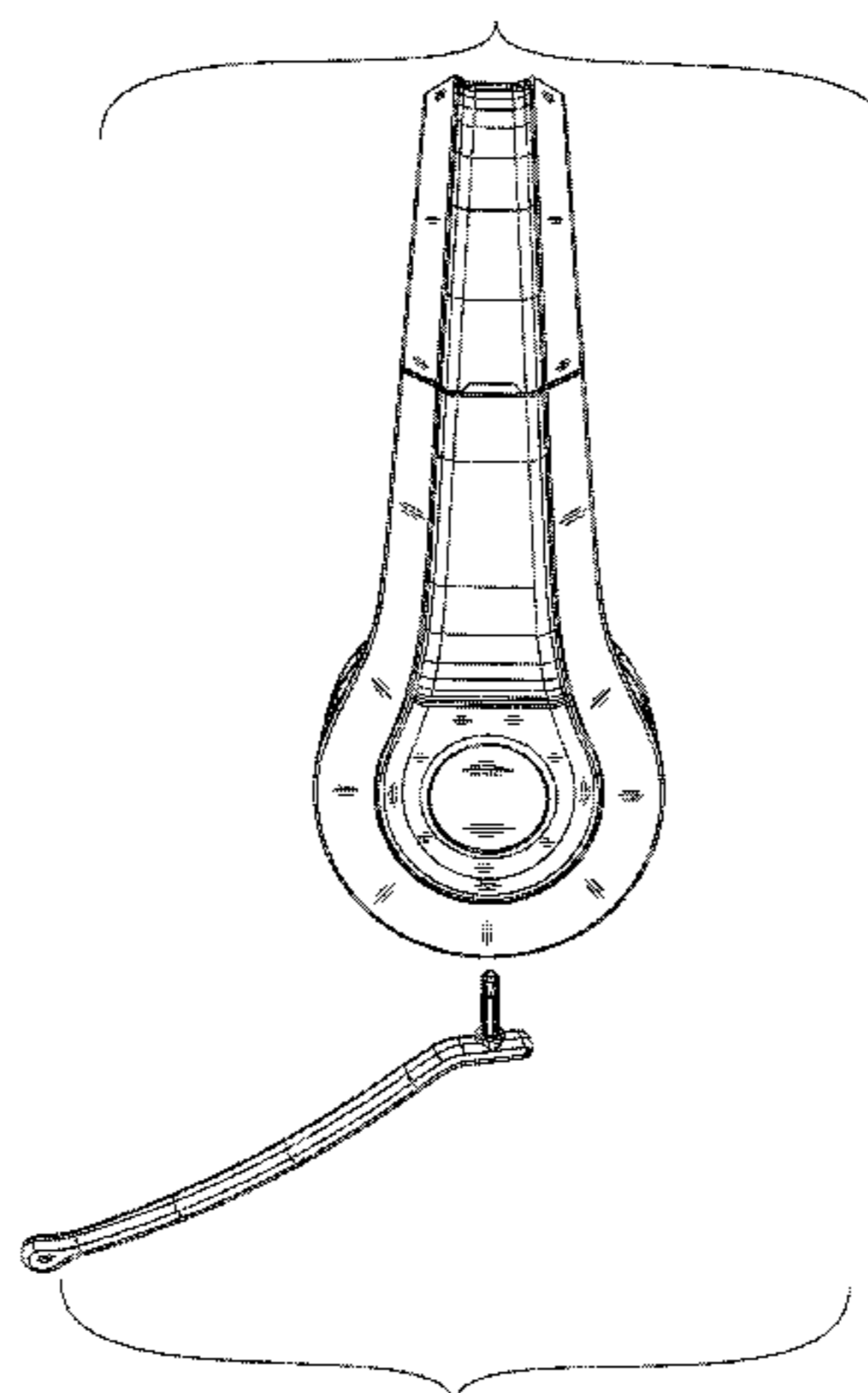
(57) **CLAIM**

The ornamental design for an audio headset, as shown and described.

**DESCRIPTION**

FIG. 1 is a perspective view of an audio headset, showing the microphone in an attached condition, showing our design; FIG. 2 is an opposing perspective view thereof; FIG. 3 is front view thereof; FIG. 4 is a rear view of the audio headset, in a microphone attached condition; FIG. 4A is a rear view of the audio headset, showing the microphone in a detached condition; FIG. 5 is a side view the audio headset, showing the microphone in an attached condition; FIG. 5A is a side view of the audio headset, showing the microphone in a detached condition; FIG. 6 is an opposing side view thereof, showing the microphone in an attached condition; FIG. 7 is a top view thereof; FIG. 8 is a bottom view thereof; and, FIG. 9 is a perspective bottom view of the audio headset, showing the microphone in a detached condition. The broken lines showing the environment in the figures are for illustrative purposes only and form no part of the claimed design.

**1 Claim, 11 Drawing Sheets**



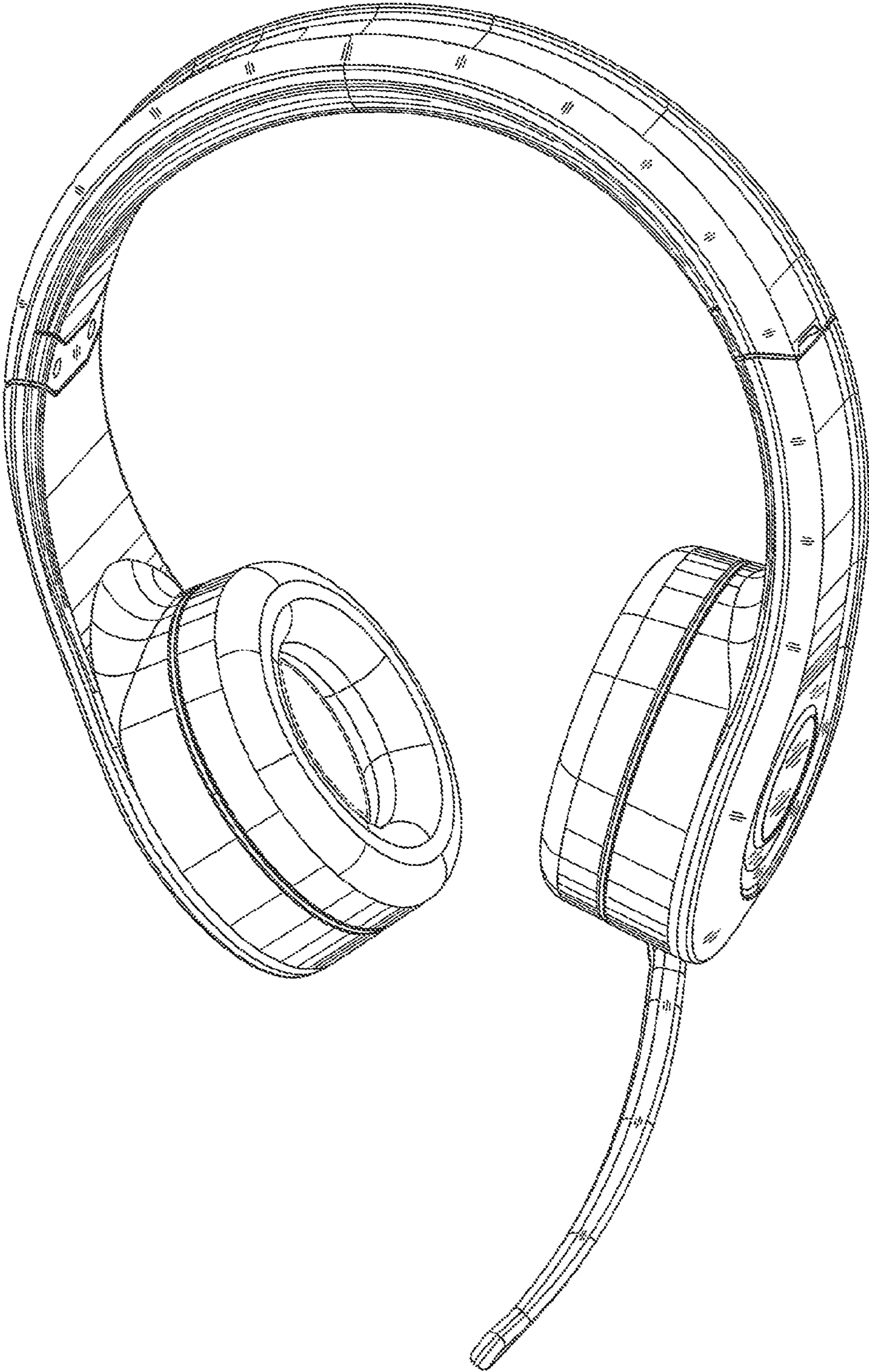


Figure 1

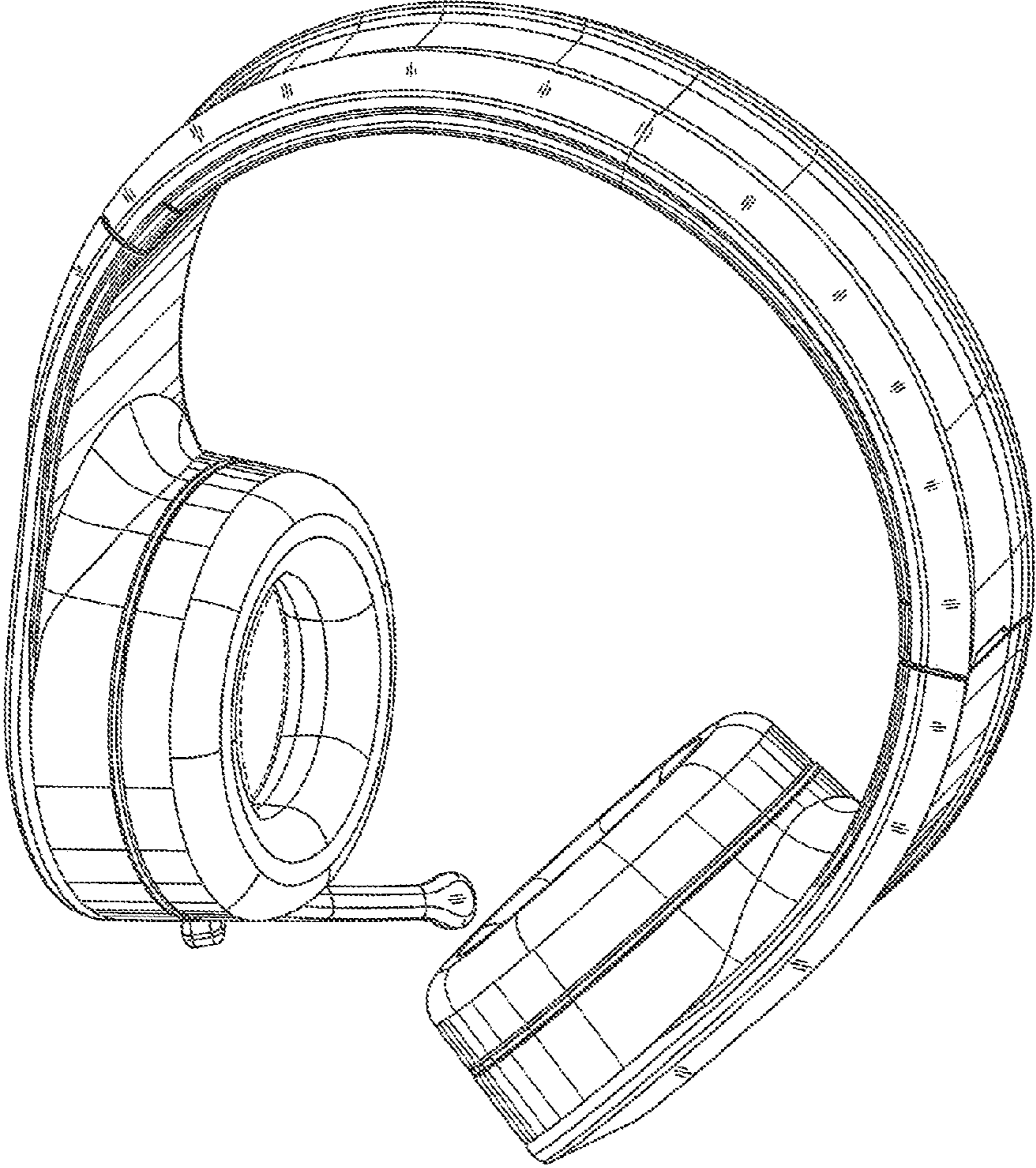


Figure 2

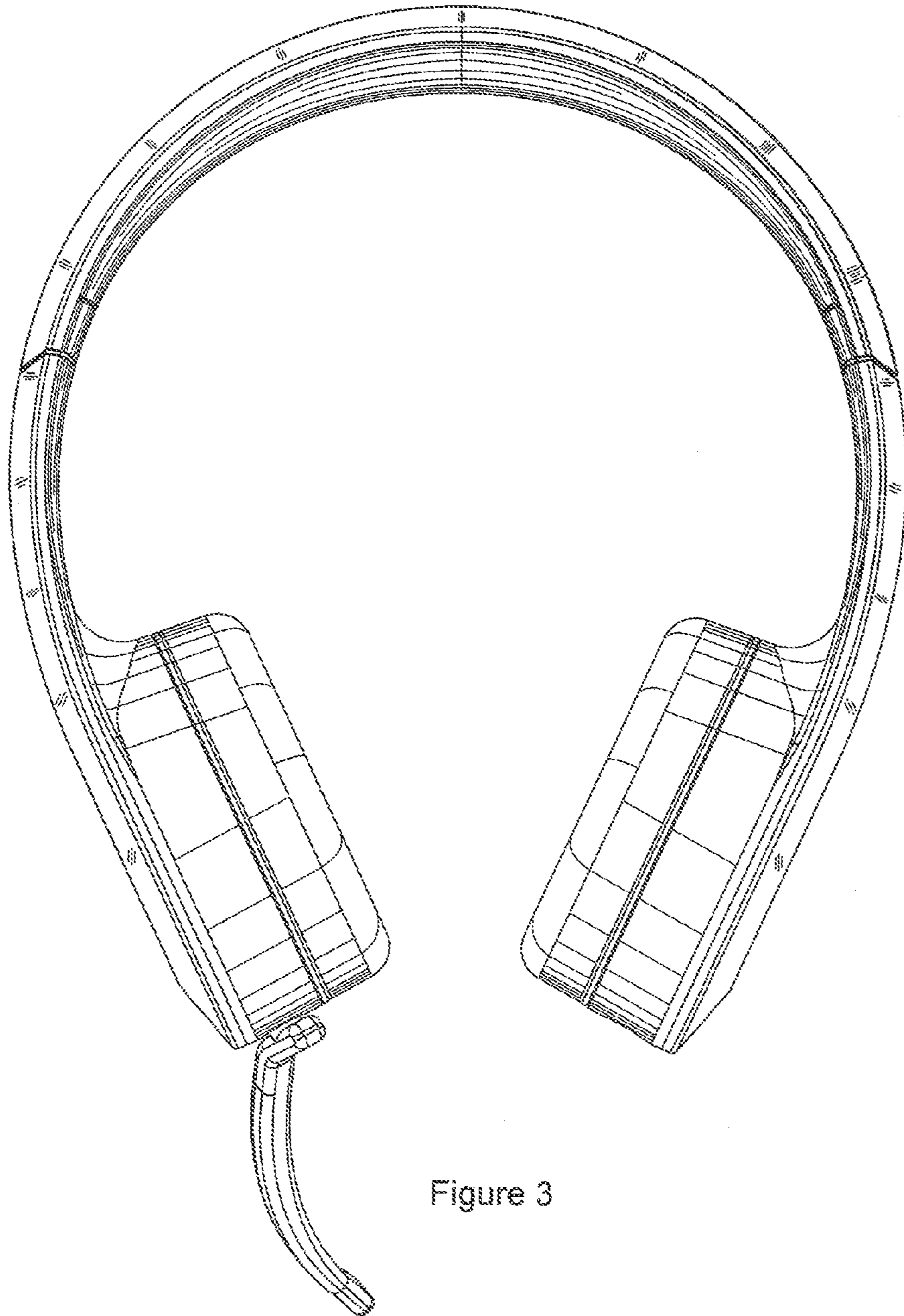


Figure 3

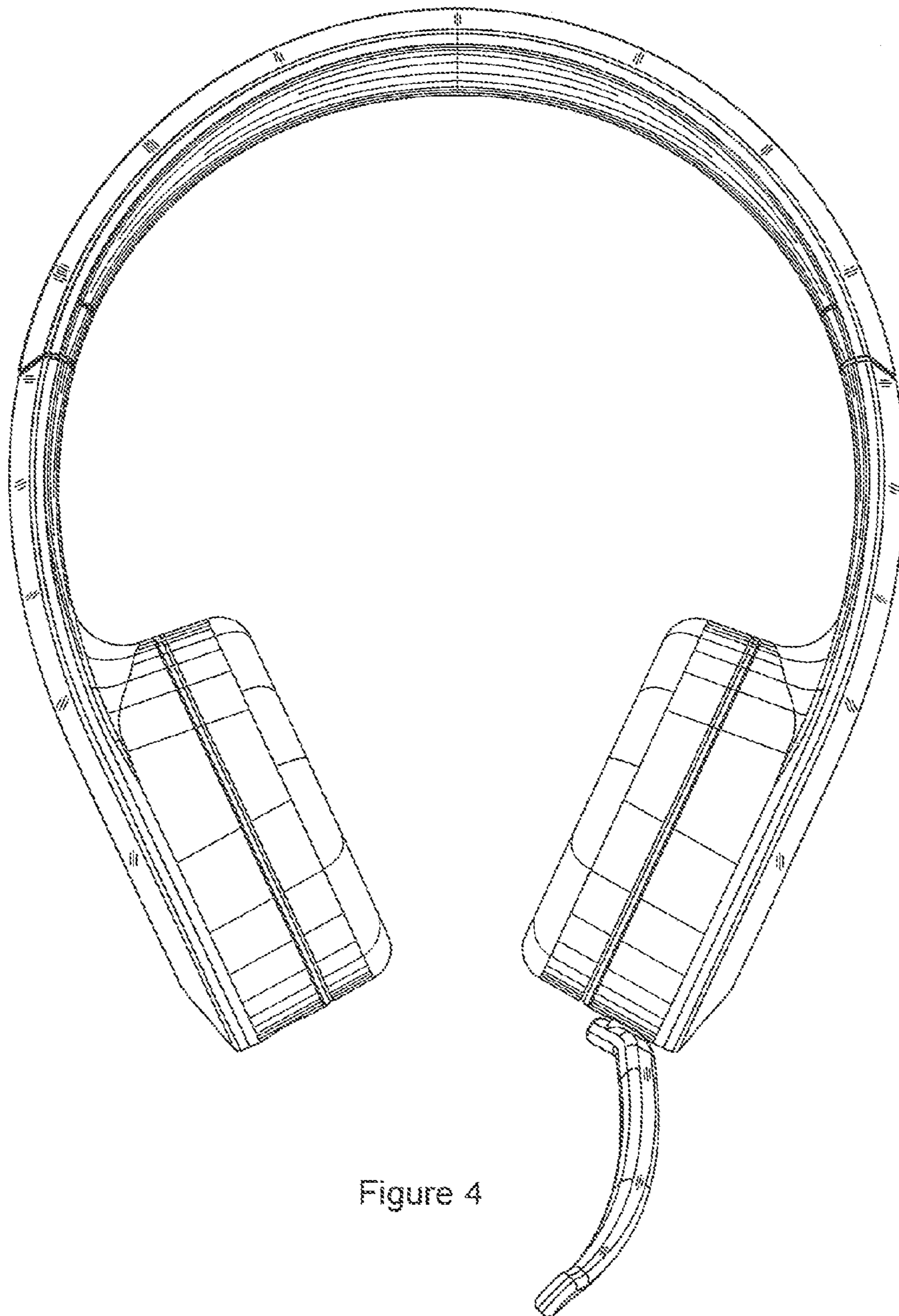


Figure 4

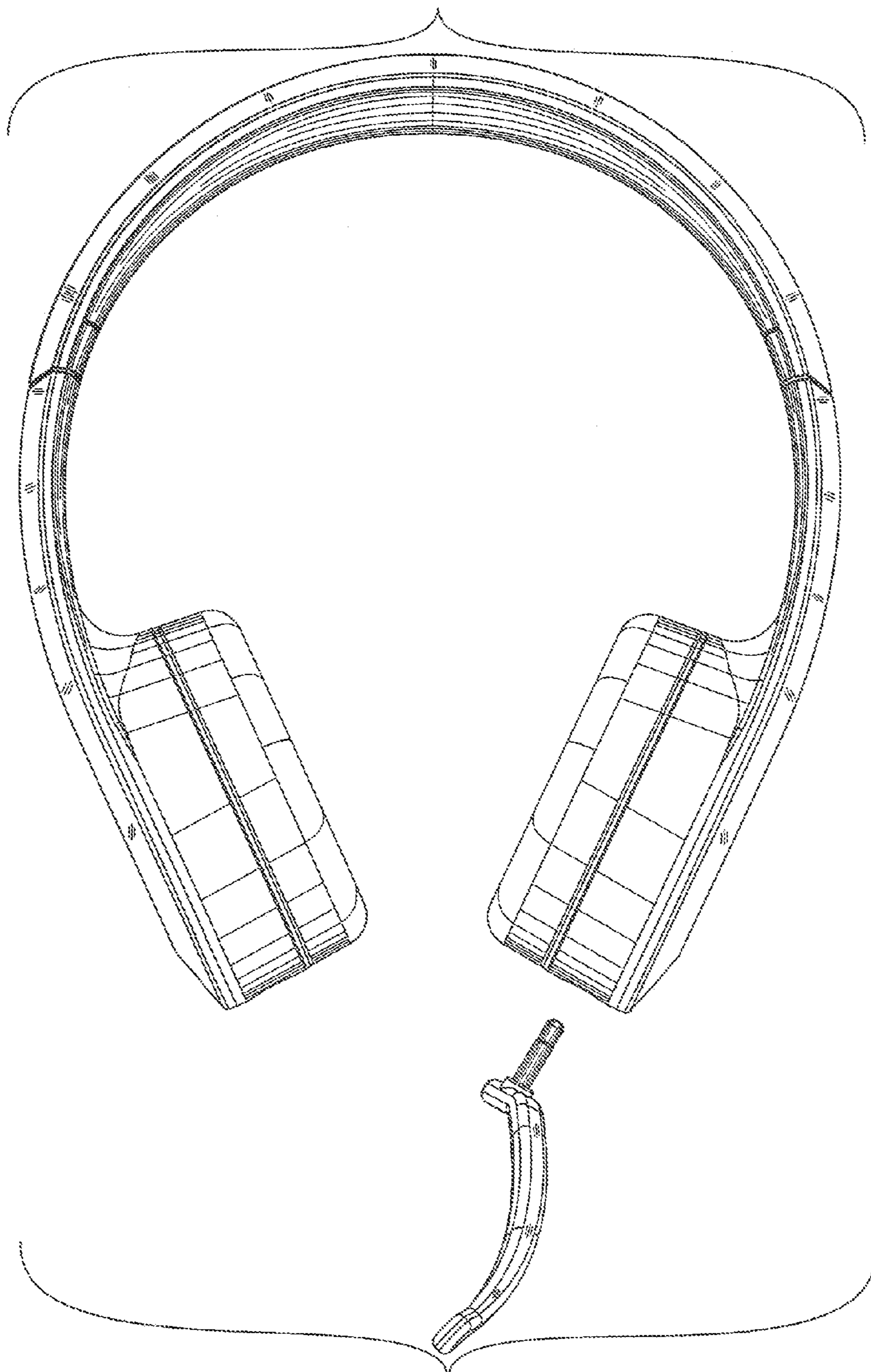


Figure 4A

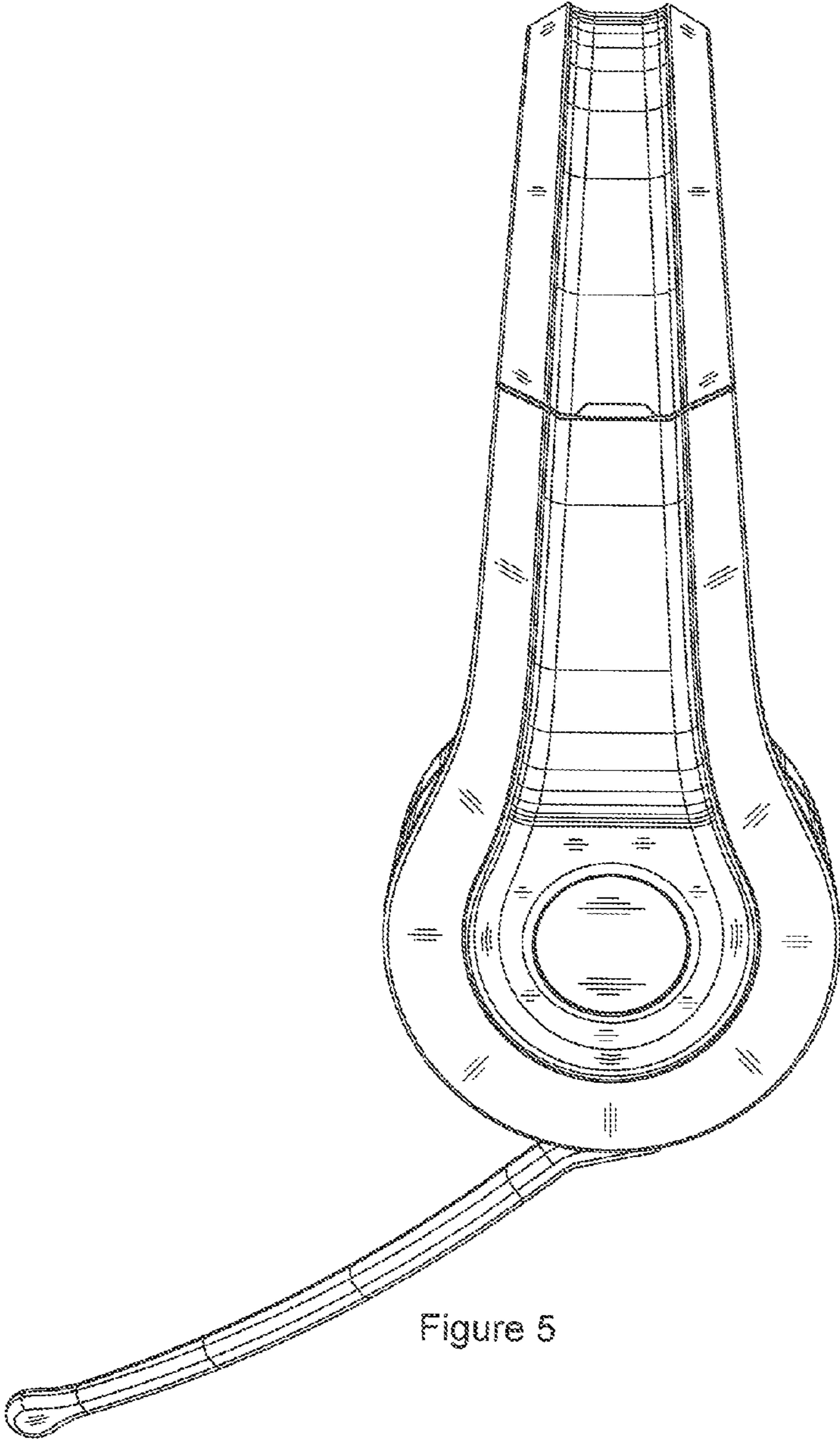


Figure 5

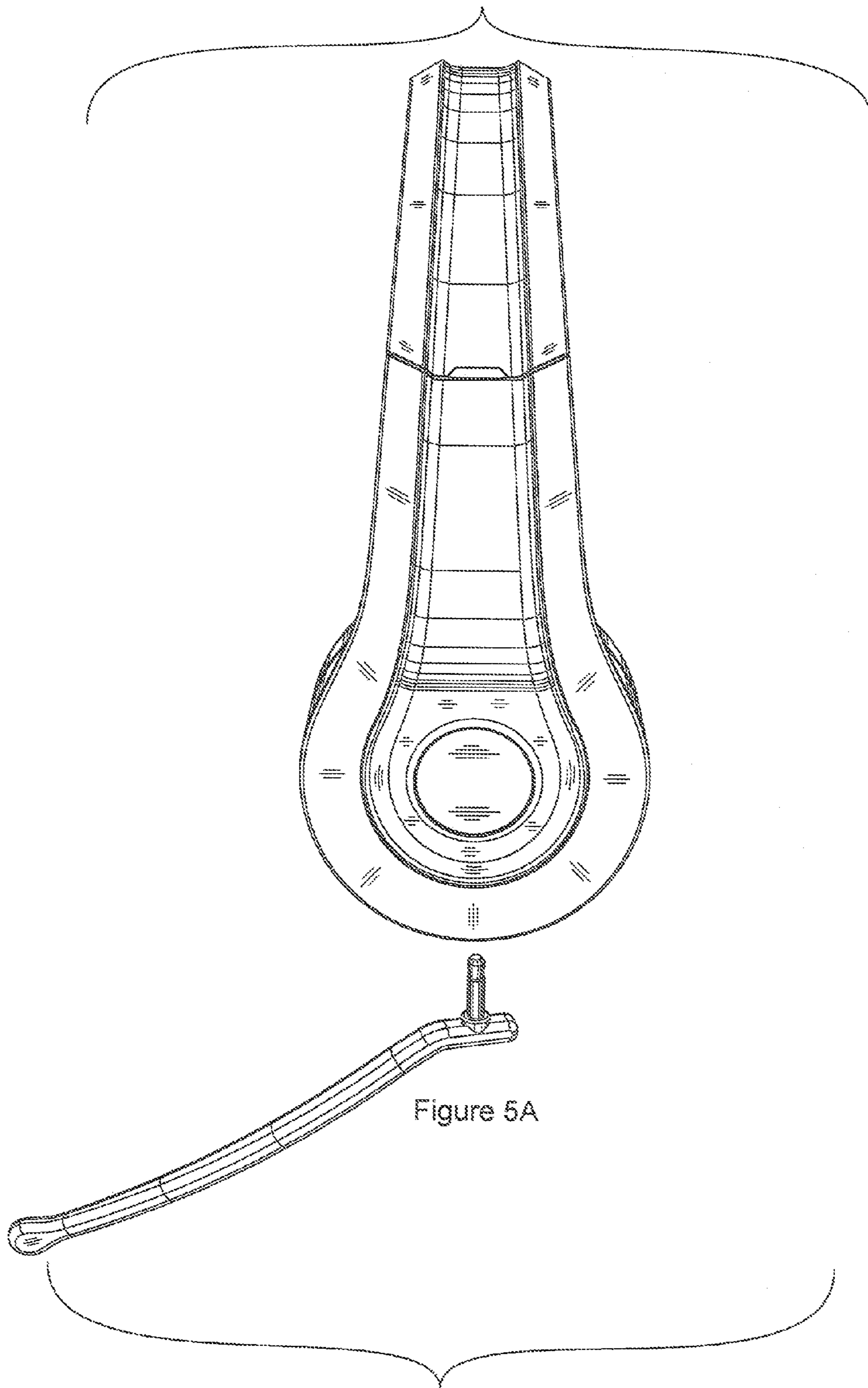


Figure 5A



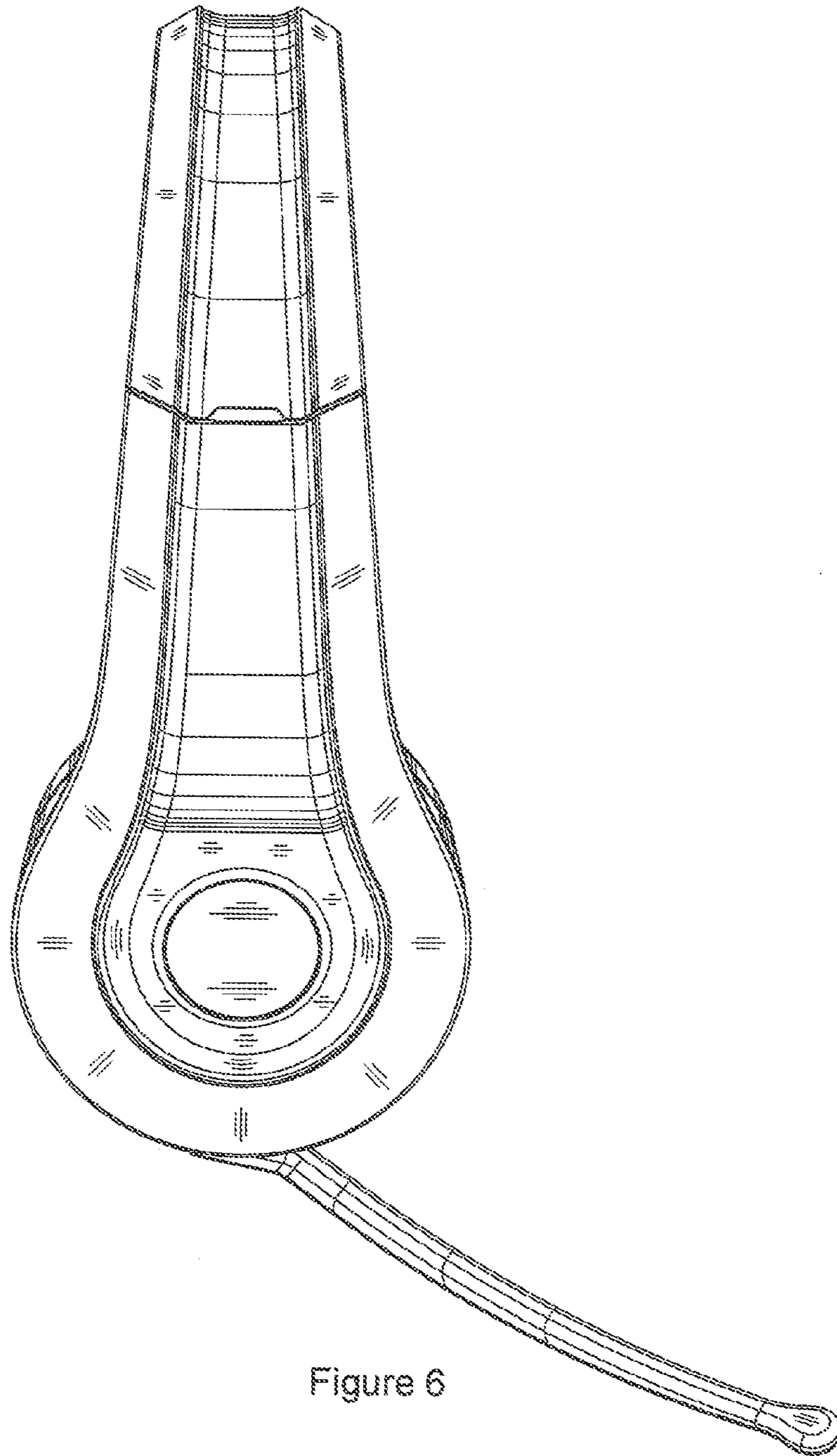


Figure 6

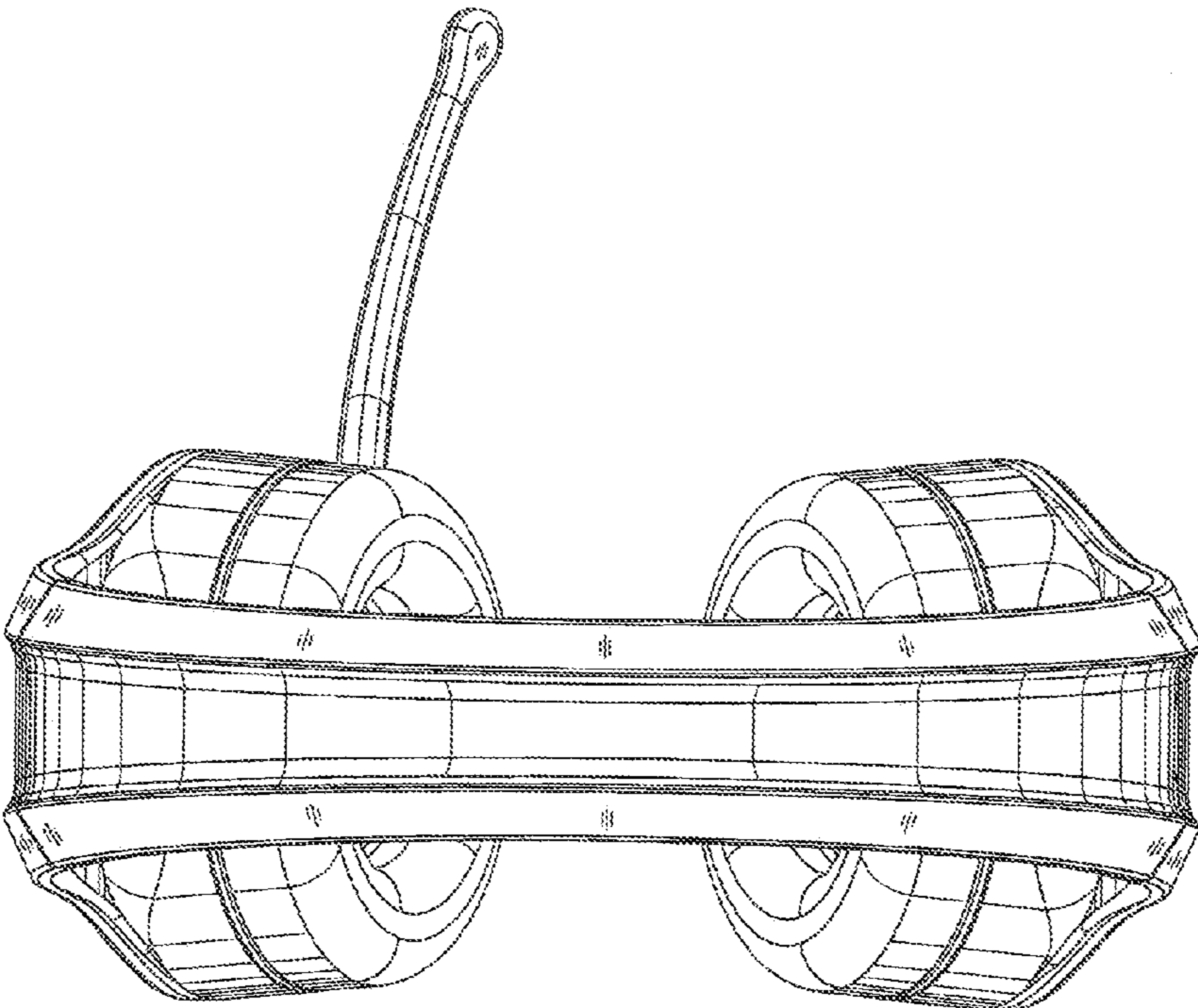


Figure 7

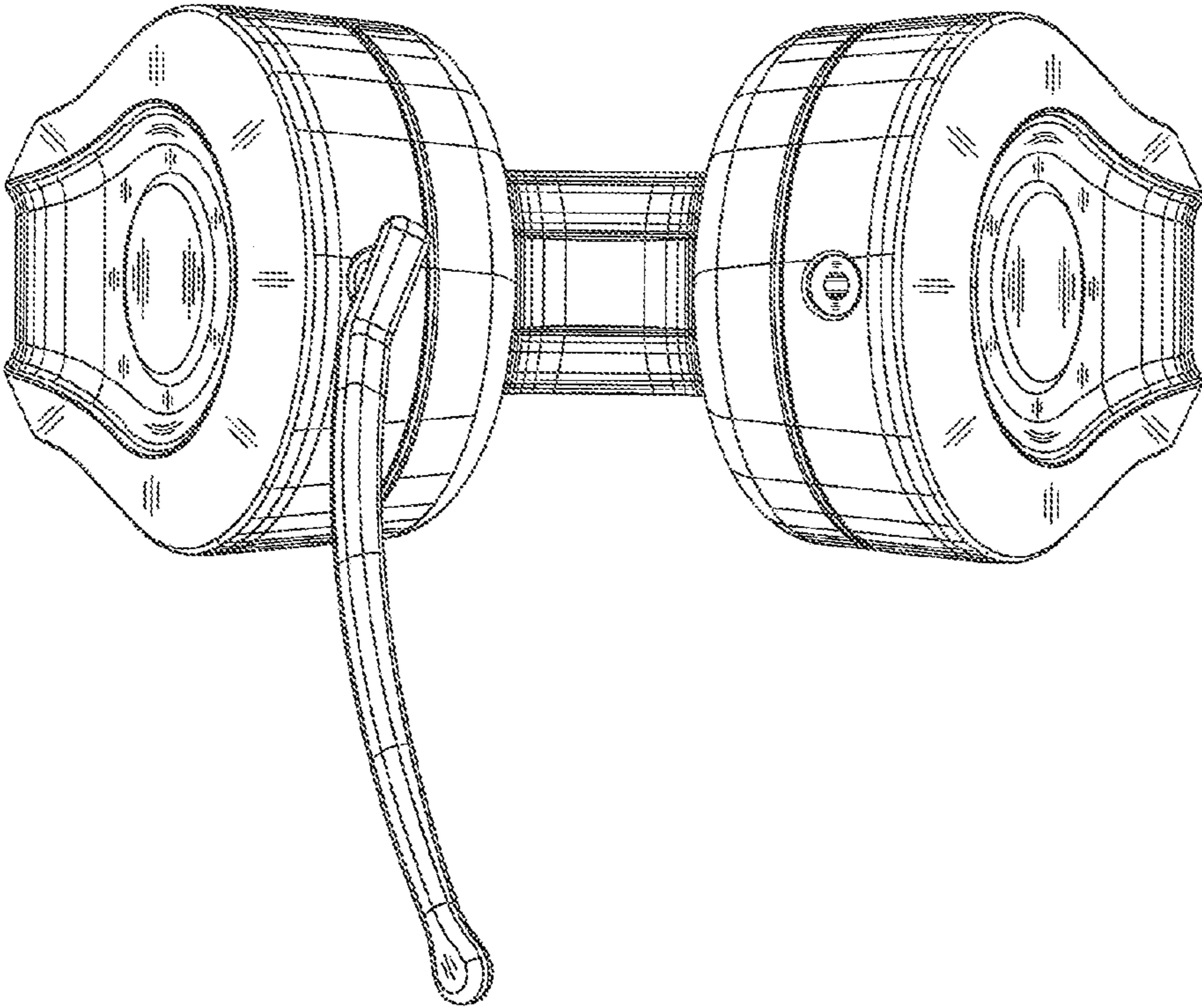


Figure 8

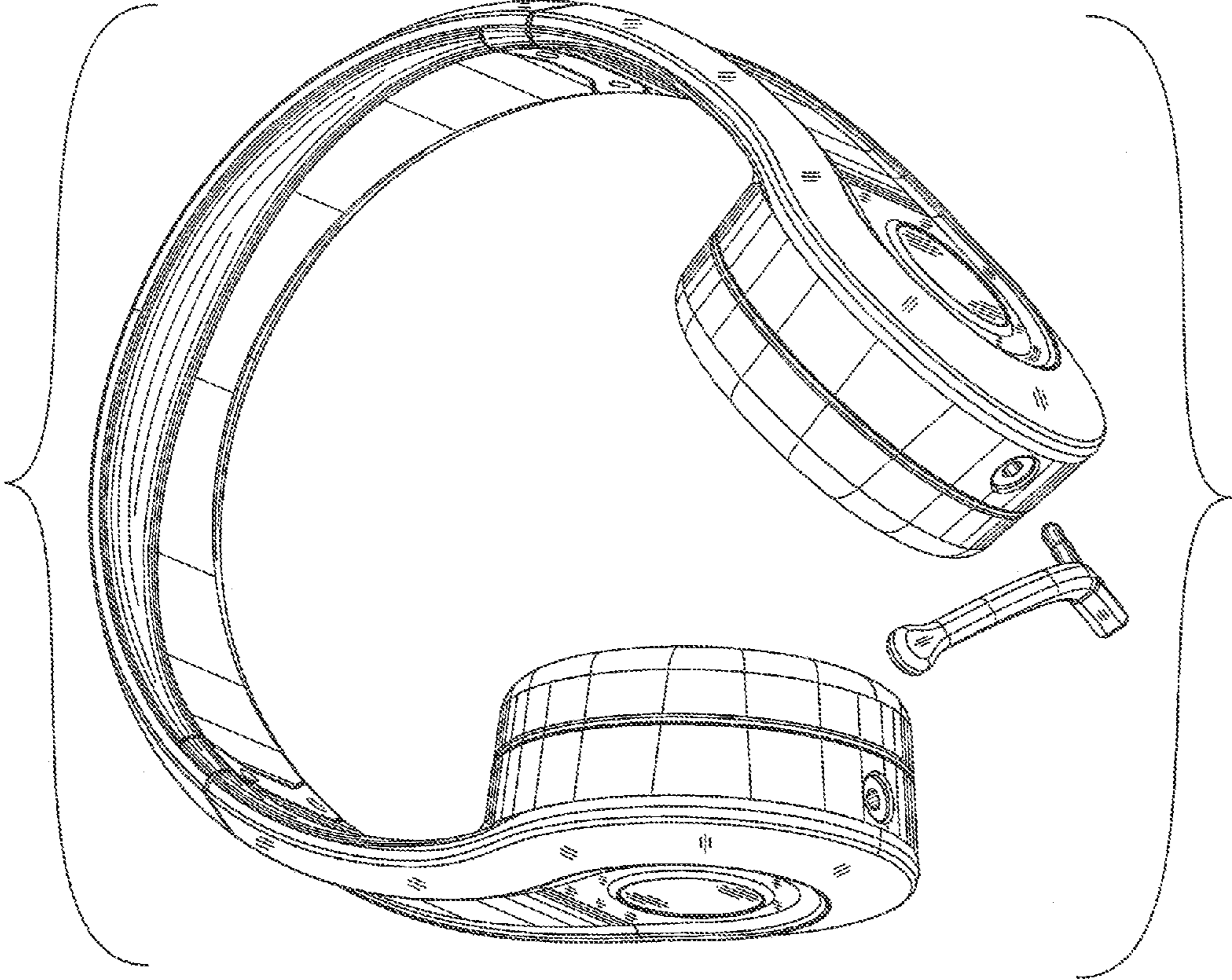


Figure 9