



US00D677647S

(12) **United States Design Patent**  
**Lee et al.**

(10) **Patent No.:** **US D677,647 S**  
(45) **Date of Patent:** **\*\* Mar. 12, 2013**

(54) **HEADPHONES**

(75) Inventors: **Noel Lee**, Las Vegas, NV (US); **Li Hoi Yee**, Tsuen Wan (HK)

(73) Assignee: **Monster, LLC**, Las Vegas, NV (US)

(\*\*) Term: **14 Years**

(21) Appl. No.: **29/410,556**

(22) Filed: **Jan. 9, 2012**

(51) **LOC (9) Cl.** ..... **14-01**

(52) **U.S. Cl.** ..... **D14/205**

(58) **Field of Classification Search** ..... D14/205,  
D14/206, 223; D29/112; 2/209; 181/129,  
181/130, 135; 379/430, 431; 381/380, 381,  
381/371, 375; 455/90.3, 575.1  
See application file for complete search history.

(56) **References Cited**

**U.S. PATENT DOCUMENTS**

D254,183 S *	2/1980	Doodson	.....	D14/205
D430,140 S *	8/2000	Roman	.....	D14/205
D491,163 S *	6/2004	Green	.....	D14/205
7,072,483 B2 *	7/2006	Lenhard-Backhaus	.....	381/383
D552,077 S *	10/2007	Brunner et al.	.....	D14/205
D563,382 S *	3/2008	Wikel	.....	D14/205
D573,581 S *	7/2008	Gondo et al.	.....	D14/205
D594,441 S	6/2009	Lee et al.		
D598,901 S	8/2009	Lee et al.		
D599,781 S	9/2009	Lee et al.		
D600,675 S	9/2009	Lee et al.		
D616,865 S *	6/2010	Marchand et al.	.....	D14/205
D617,769 S *	6/2010	Birger	.....	D14/205
D625,705 S *	10/2010	Ohuri et al.	.....	D14/205
D632,668 S *	2/2011	Brunner et al.	.....	D14/205
D634,732 S *	3/2011	Kondo et al.	.....	D14/205
D637,176 S *	5/2011	Brunner et al.	.....	D14/205

D637,182 S	5/2011	Lee et al.		
D641,008 S	7/2011	Lee et al.		
D642,163 S	7/2011	Lee et al.		
D643,417 S	8/2011	Lee et al.		
D643,418 S	8/2011	Lee et al.		
D643,833 S	8/2011	Lee et al.		
D657,344 S *	4/2012	Brunner et al.	.....	D14/205
D657,776 S *	4/2012	Lee et al.	.....	D14/205
D660,823 S *	5/2012	Hardi et al.	.....	D14/205
D660,824 S *	5/2012	Hardi et al.	.....	D14/205
D662,490 S *	6/2012	McSweyn	.....	D14/205
D663,716 S *	7/2012	Hardi et al.	.....	D14/205
D664,113 S *	7/2012	Katsumata et al.	.....	D14/205
D664,117 S *	7/2012	Tappeiner et al.	.....	D14/205
D666,579 S *	9/2012	Hou	.....	D14/205
D666,992 S *	9/2012	Lee et al.	.....	D14/205

\* cited by examiner

*Primary Examiner* — Paula Greene

(74) *Attorney, Agent, or Firm* — LaRiviere, Grubman & Payne, LLP

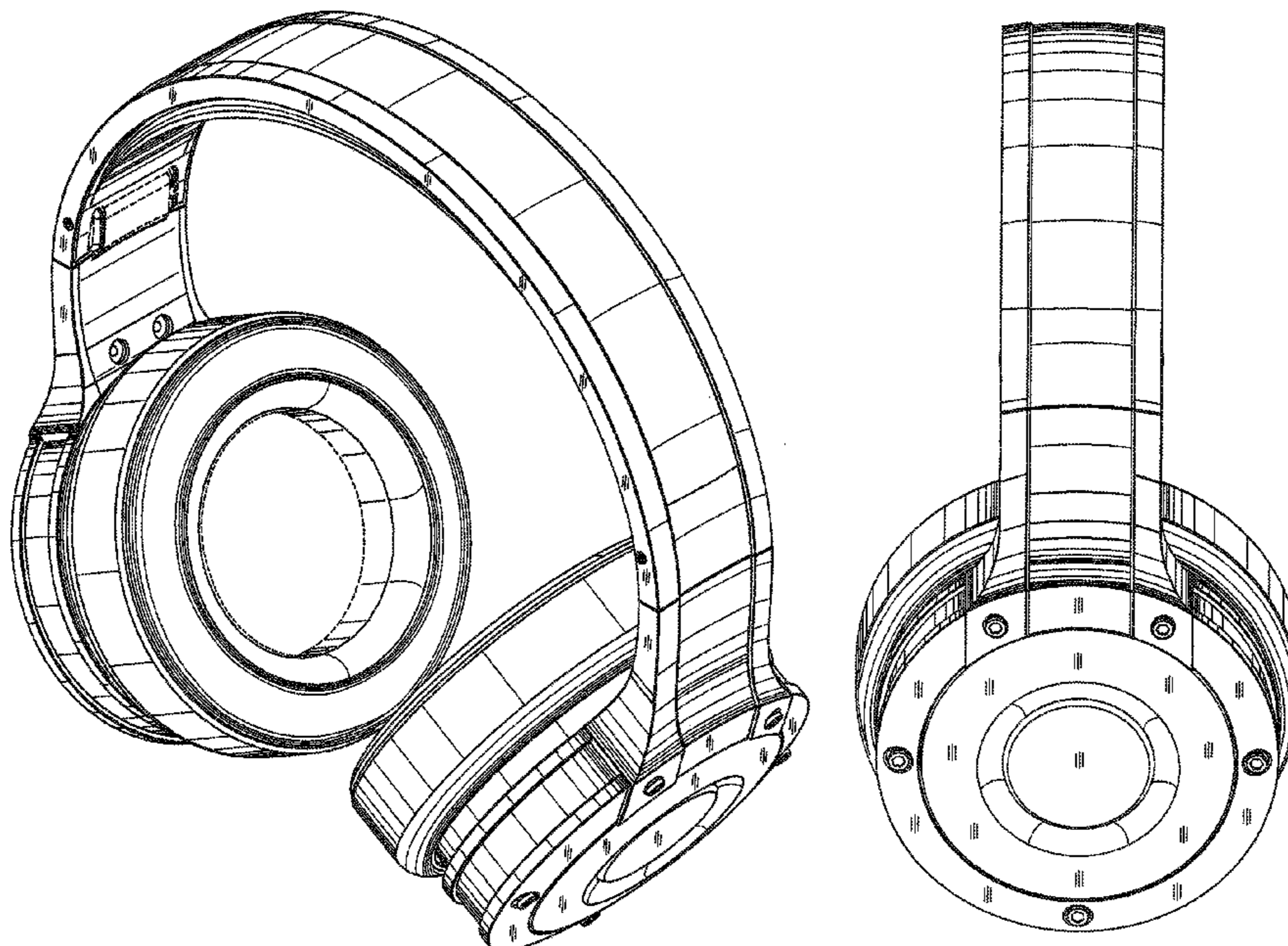
(57) **CLAIM**

The ornamental design for headphones, as shown and described.

**DESCRIPTION**

FIG. 1 is a front perspective view of headphones, showing our design;  
FIG. 2 is front view thereof;  
FIG. 3 is a rear view thereof;  
FIG. 4 is a side view thereof;  
FIG. 5 is an opposing side view thereof;  
FIG. 6 is a top view thereof; and,  
FIG. 7 is a bottom view thereof.  
The broken lines showing the environment are for illustrative purposes only and form no part of the claimed design.

**1 Claim, 5 Drawing Sheets**



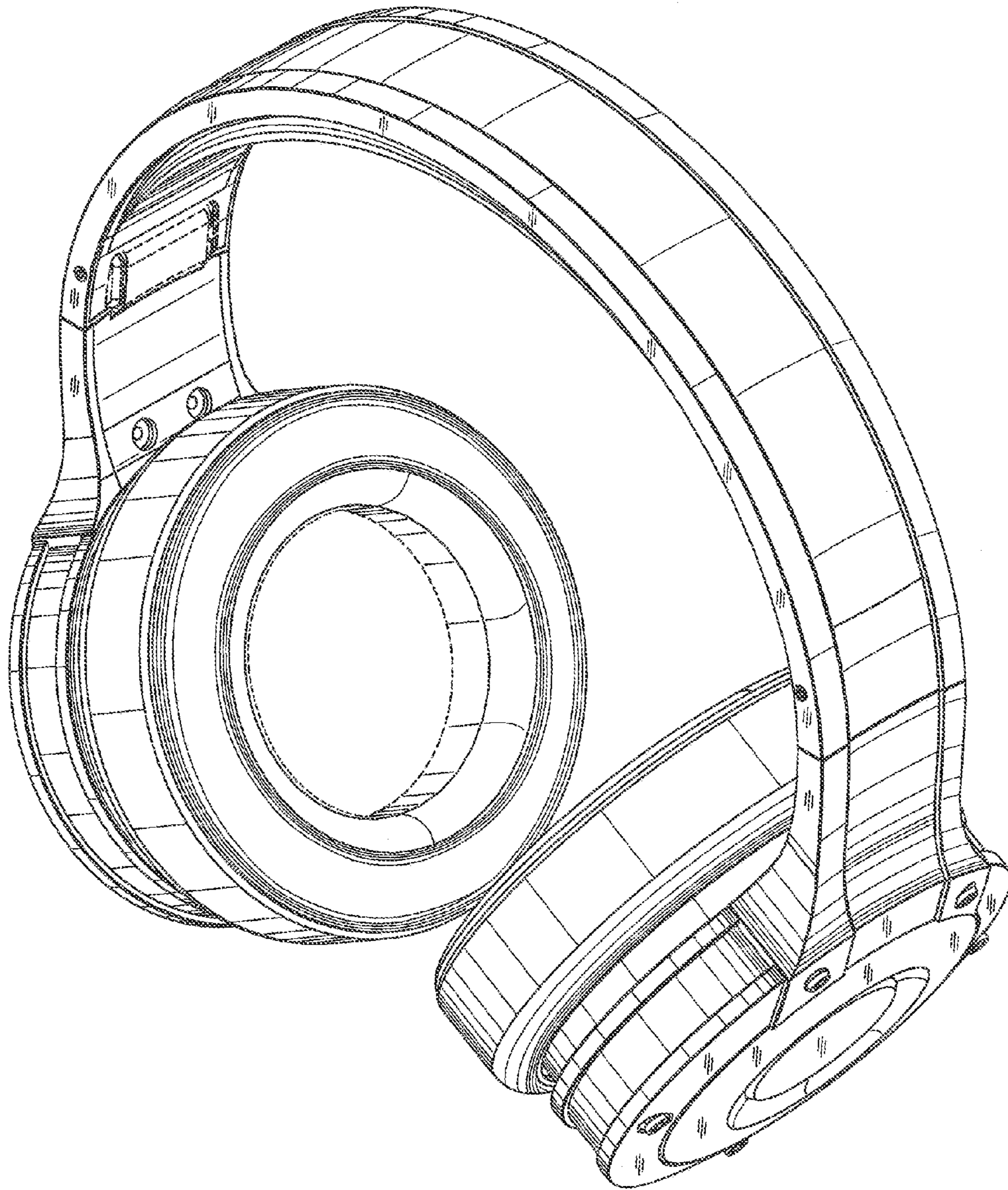


Figure 1



Figure 2



Figure 3

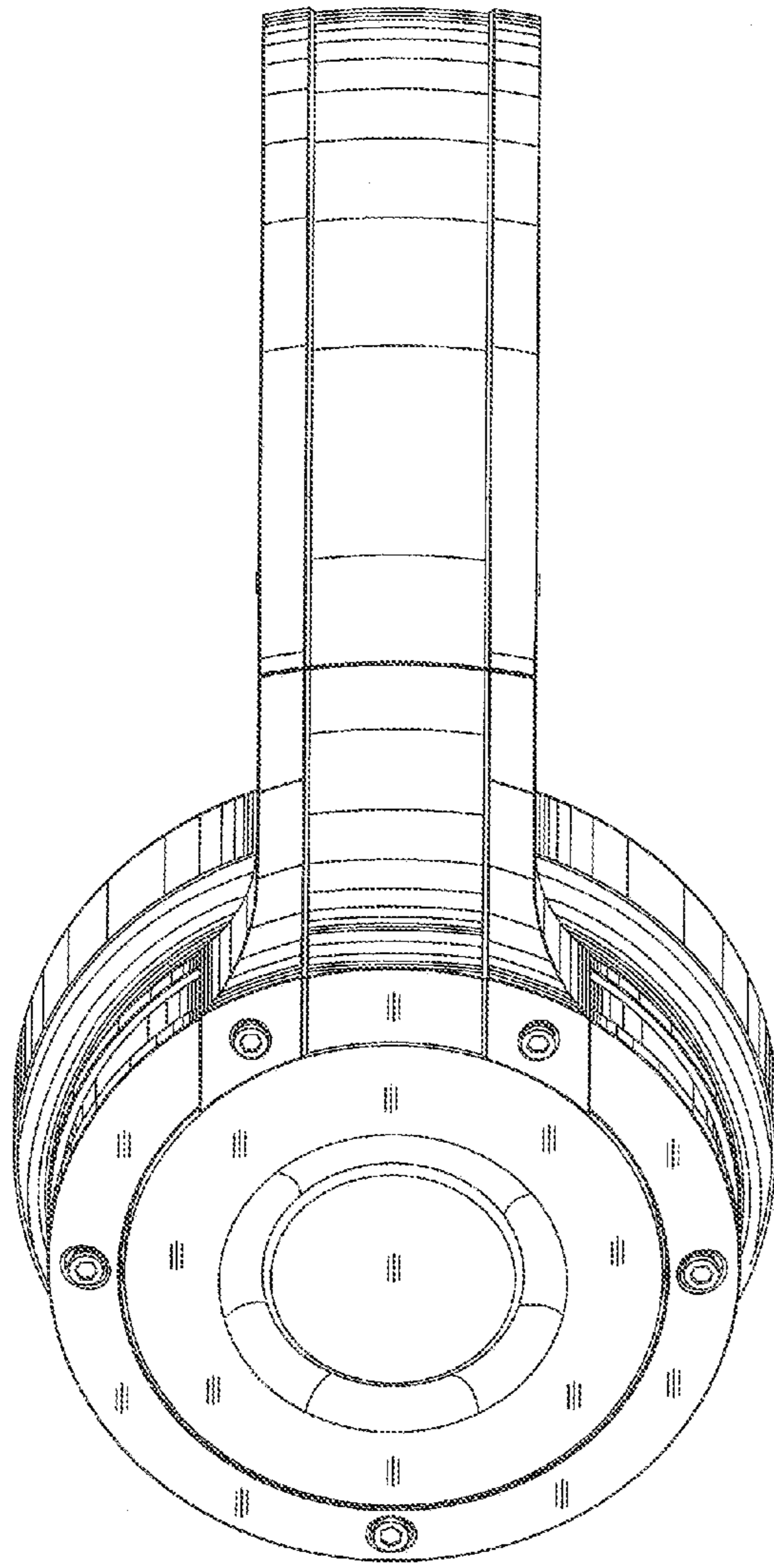


Figure 4

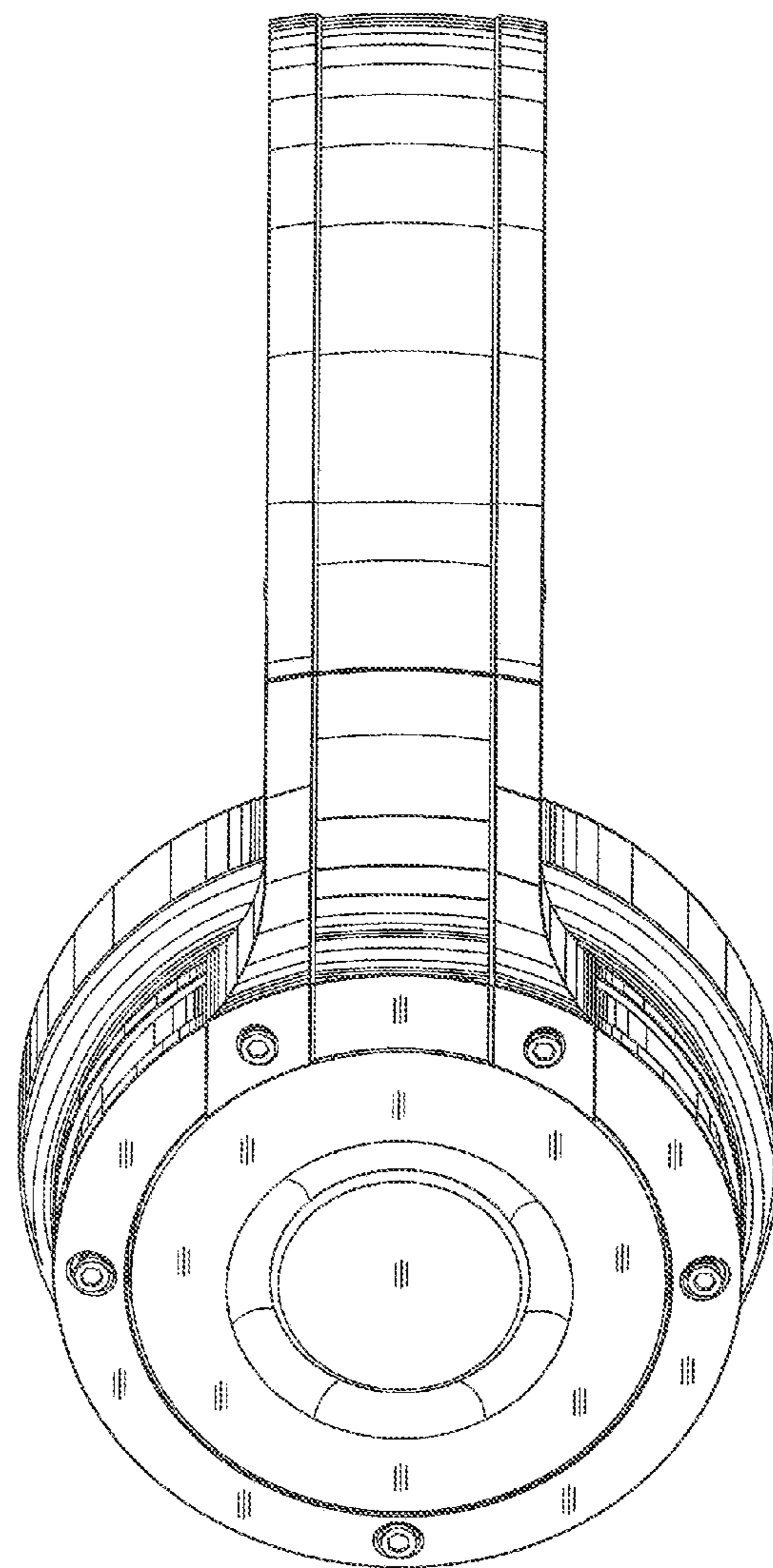


Figure 5

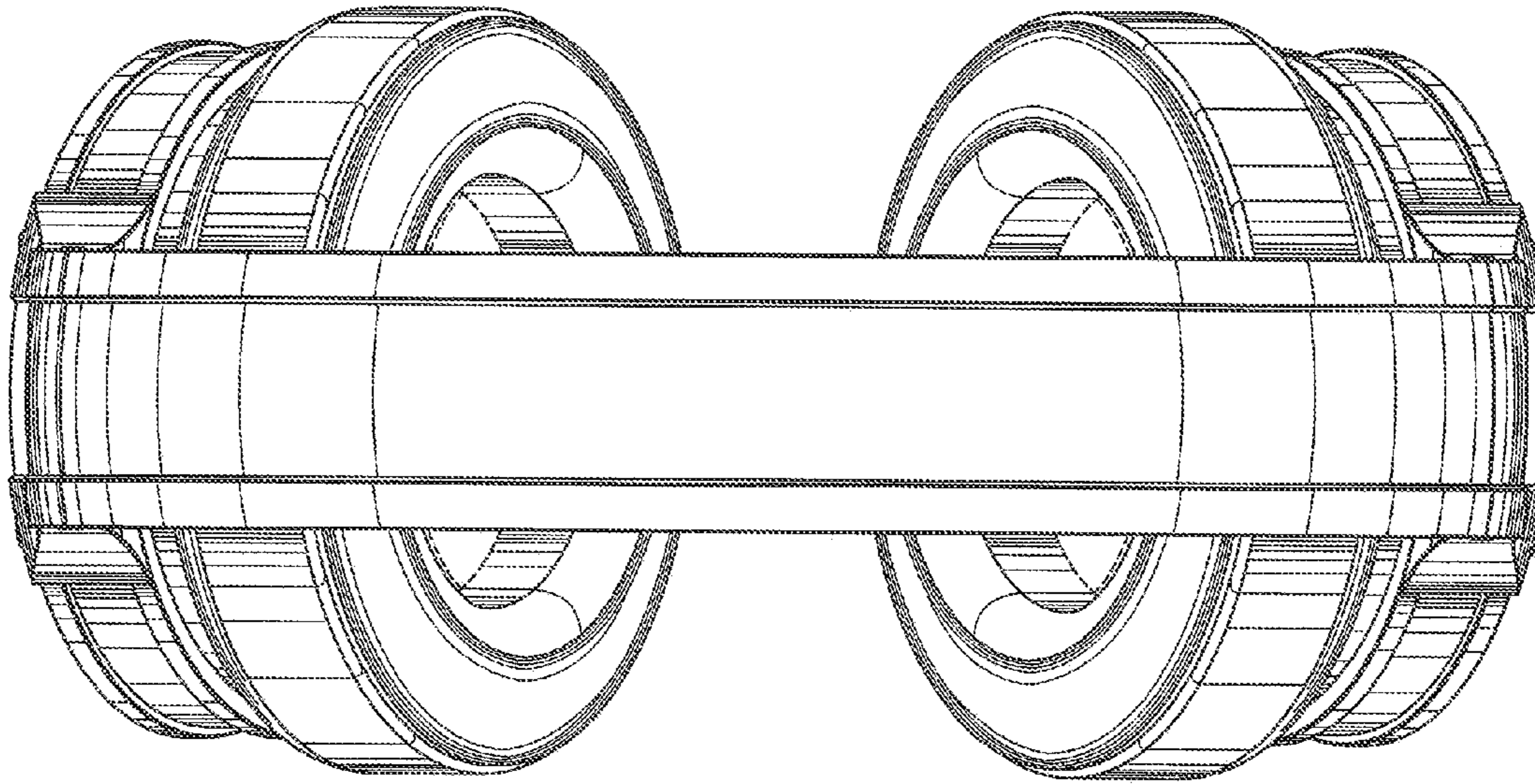


Figure 6

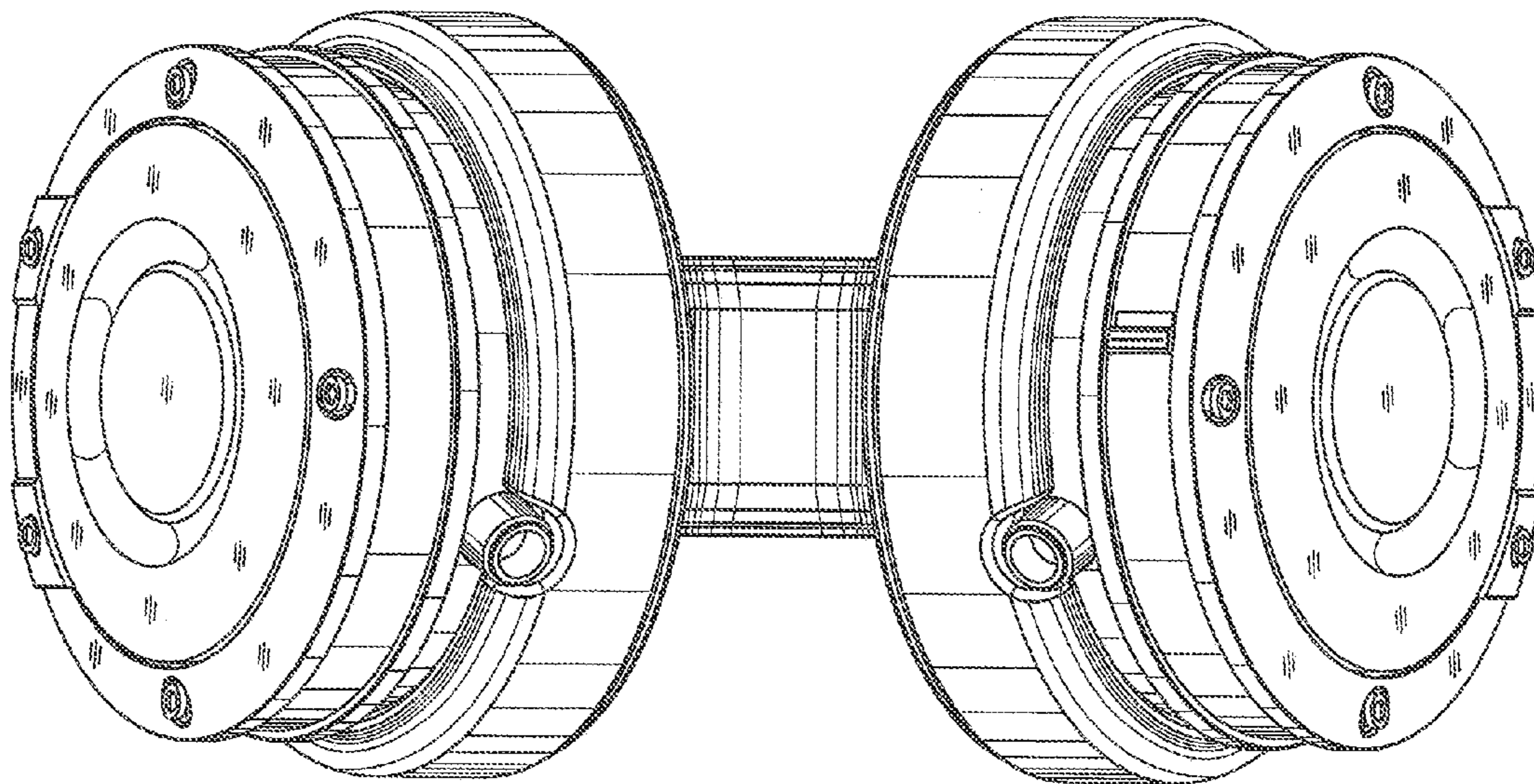


Figure 7