



US00D677646S

(12) **United States Design Patent**
Kellar

(10) **Patent No.:** **US D677,646 S**
(45) **Date of Patent:** **** Mar. 12, 2013**

- (54) **TELEPHONE**
- (75) Inventor: **Kevin P. Kellar**, Austin, TX (US)
- (73) Assignee: **LifeSize Communications, Inc.**, Austin, TX (US)
- (**) Term: **14 Years**
- (21) Appl. No.: **29/398,307**
- (22) Filed: **Jul. 28, 2011**
- (51) **LOC (9) Cl.** **14-03**
- (52) **U.S. Cl.** **D14/149**
- (58) **Field of Classification Search** D14/149,
D14/496, 37, 140, 141.1, 154, 158, 159, 160,
D14/167, 185, 204, 211, 214-216, 171, 225,
D14/242-243, 434, 150, 217, 125, 130-132;
455/550.1; 379/449, 419, 440, 420.01-420.04,
379/202.01, 203.01, 204.01, 205.01, 206.01;
D16/202; 381/300, 332, 333, 345, 361-363,
381/386-387, 336; D13/108
See application file for complete search history.

7,593,539 B2 * 9/2009 Oxford 381/361
 7,602,141 B2 * 10/2009 Kenoyer et al. 320/107
 D648,329 S * 11/2011 Woo et al. D14/225
 D656,130 S * 3/2012 Bailey D14/227

* cited by examiner

Primary Examiner — Sheryl Lane
 (74) *Attorney, Agent, or Firm* — Meyertons Hood Kivlin
 Kowert & Goetzel, P.C.; Jeffrey C. Hood

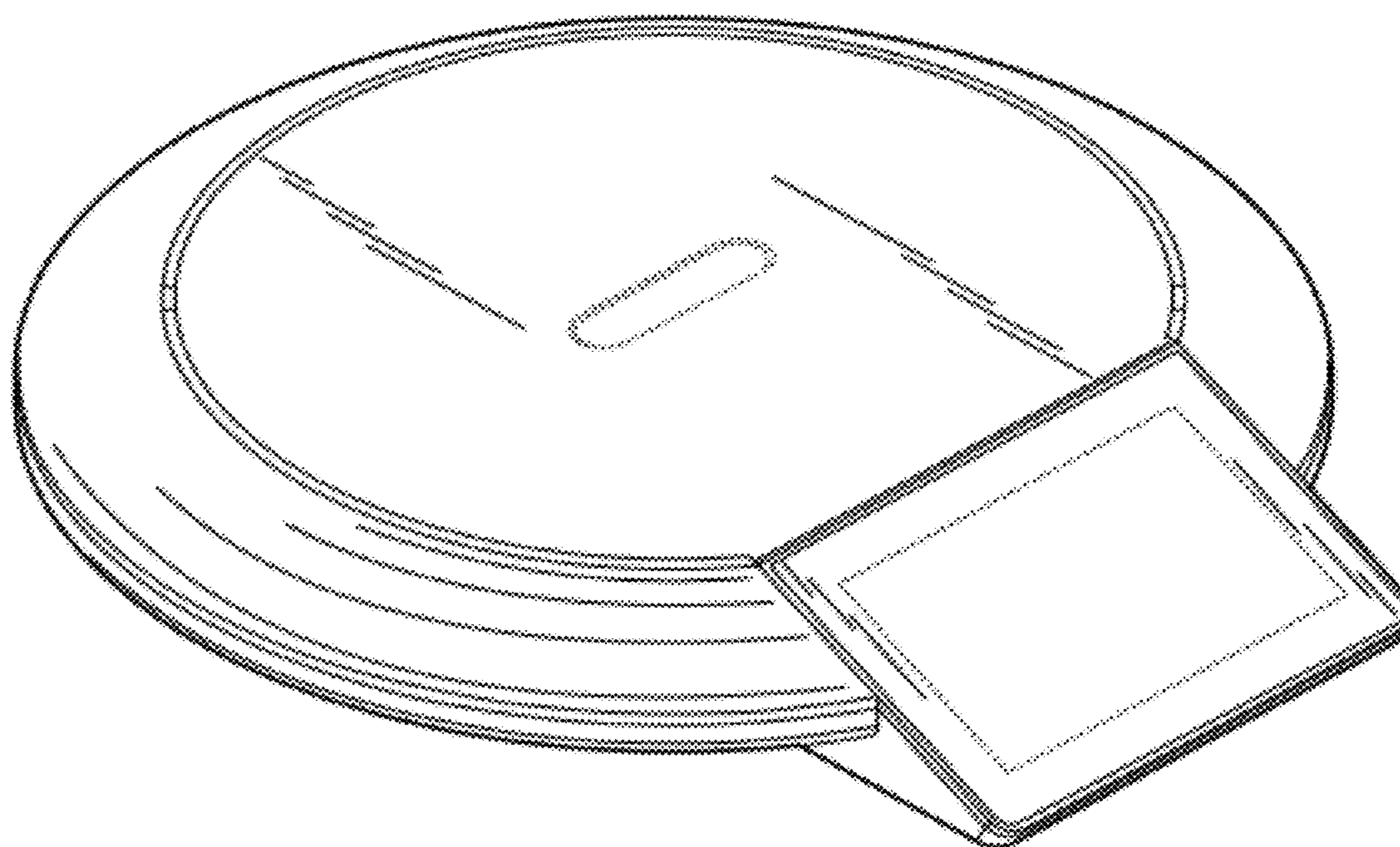
(57) **CLAIM**
 The ornamental design for a telephone, as shown and
 described.

DESCRIPTION

FIG. 1 is a front-left-top perspective view thereof;
 FIG. 2 is a front-left-bottom perspective view thereof;
 FIG. 3 is front-right-top perspective view thereof;
 FIG. 4 is front-right-bottom perspective view thereof;
 FIG. 5 is a front view thereof;
 FIG. 6 is a back view thereof.
 FIG. 7 is a top view thereof;
 FIG. 8 is a bottom view thereof;
 FIG. 9 is a right view thereof; and,
 FIG. 10 is a left view thereof.
 In these drawings, the solid lines depict the claimed ornamental
 design whereas the broken lines represent portions of the
 article and form no part of the claimed design.

- (56) **References Cited**
- U.S. PATENT DOCUMENTS
- D292,283 S * 10/1987 Matsuda et al. D14/240
- D367,274 S * 2/1996 Gobindram D14/149
- D481,370 S * 10/2003 Popowski et al. D14/150
- D495,676 S * 9/2004 Slevin et al. D14/150
- D536,327 S * 2/2007 Lukic et al. D14/150
- D558,207 S * 12/2007 Ikeda et al. D14/434
- D575,289 S * 8/2008 Kuo et al. D14/434
- D584,295 S * 1/2009 Kellar D14/228

1 Claim, 6 Drawing Sheets



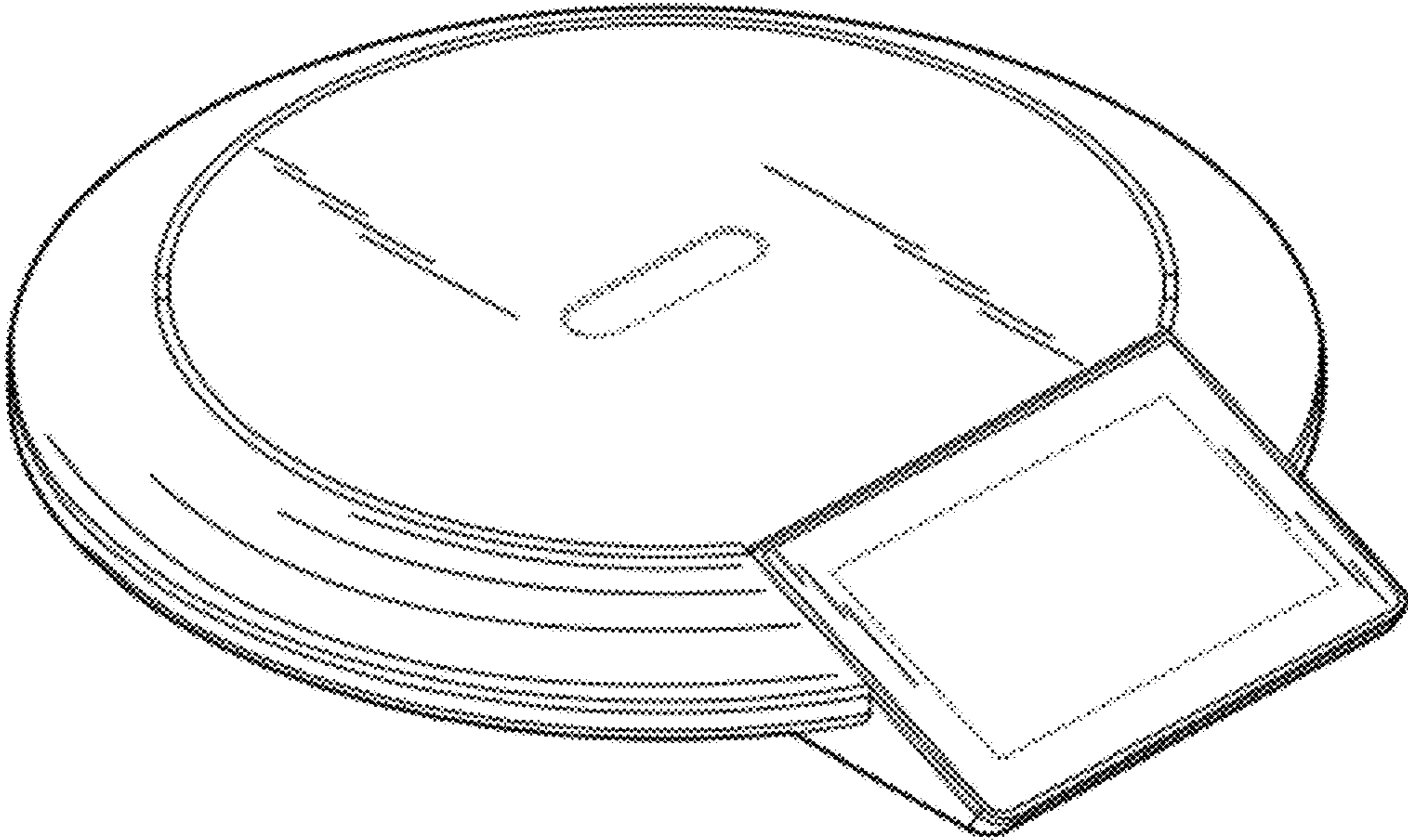


FIG. 1

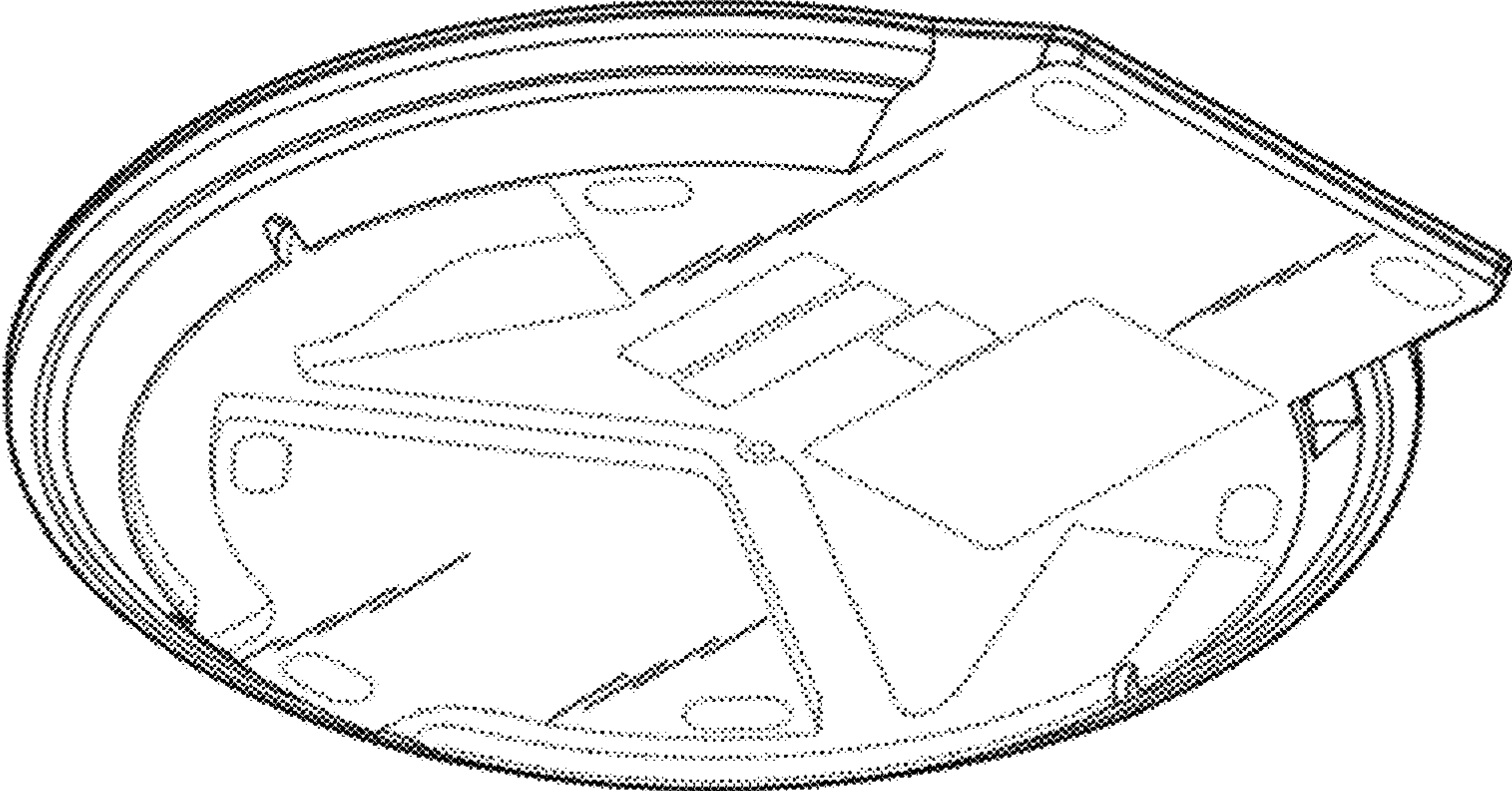


FIG. 2

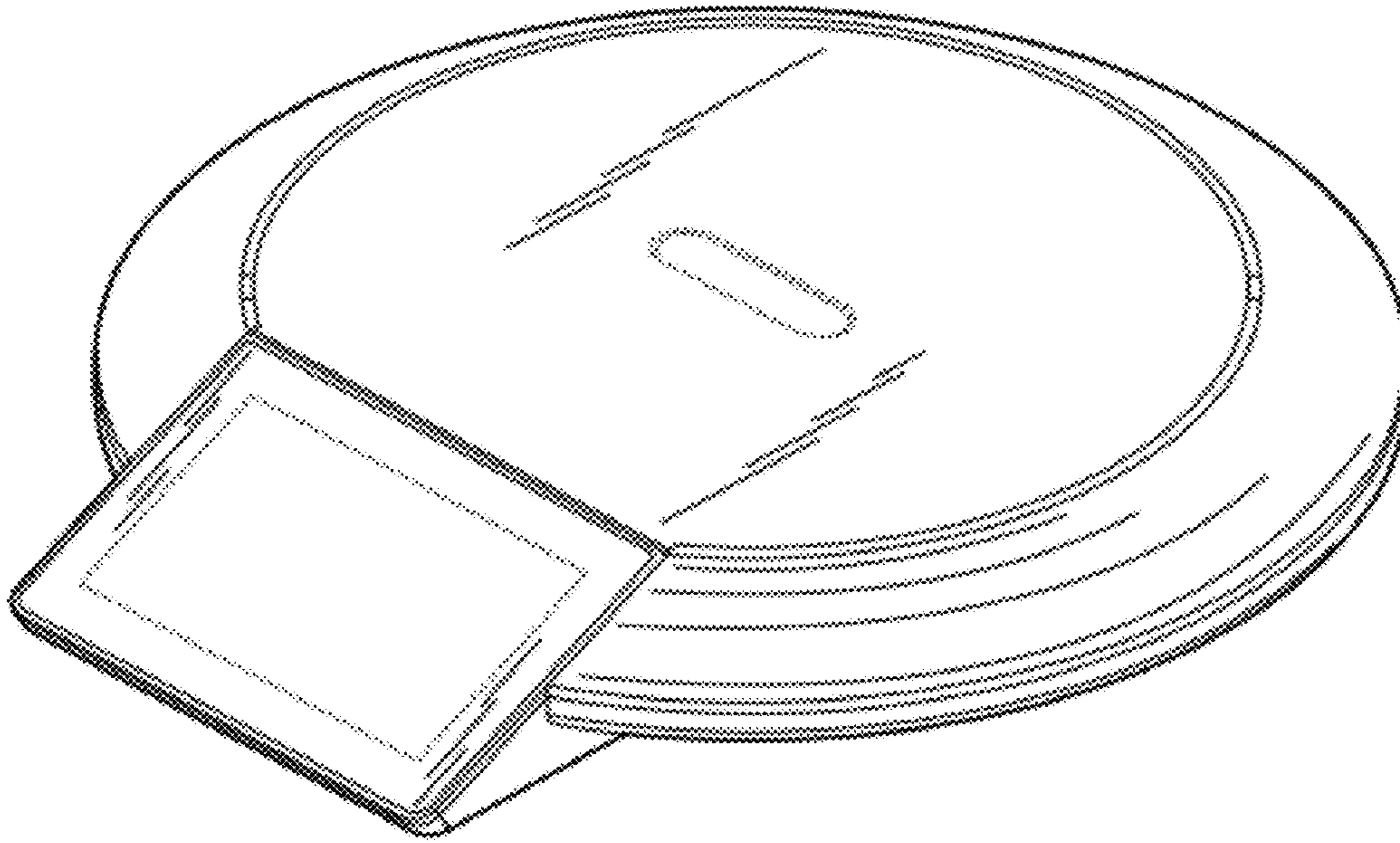


FIG. 3

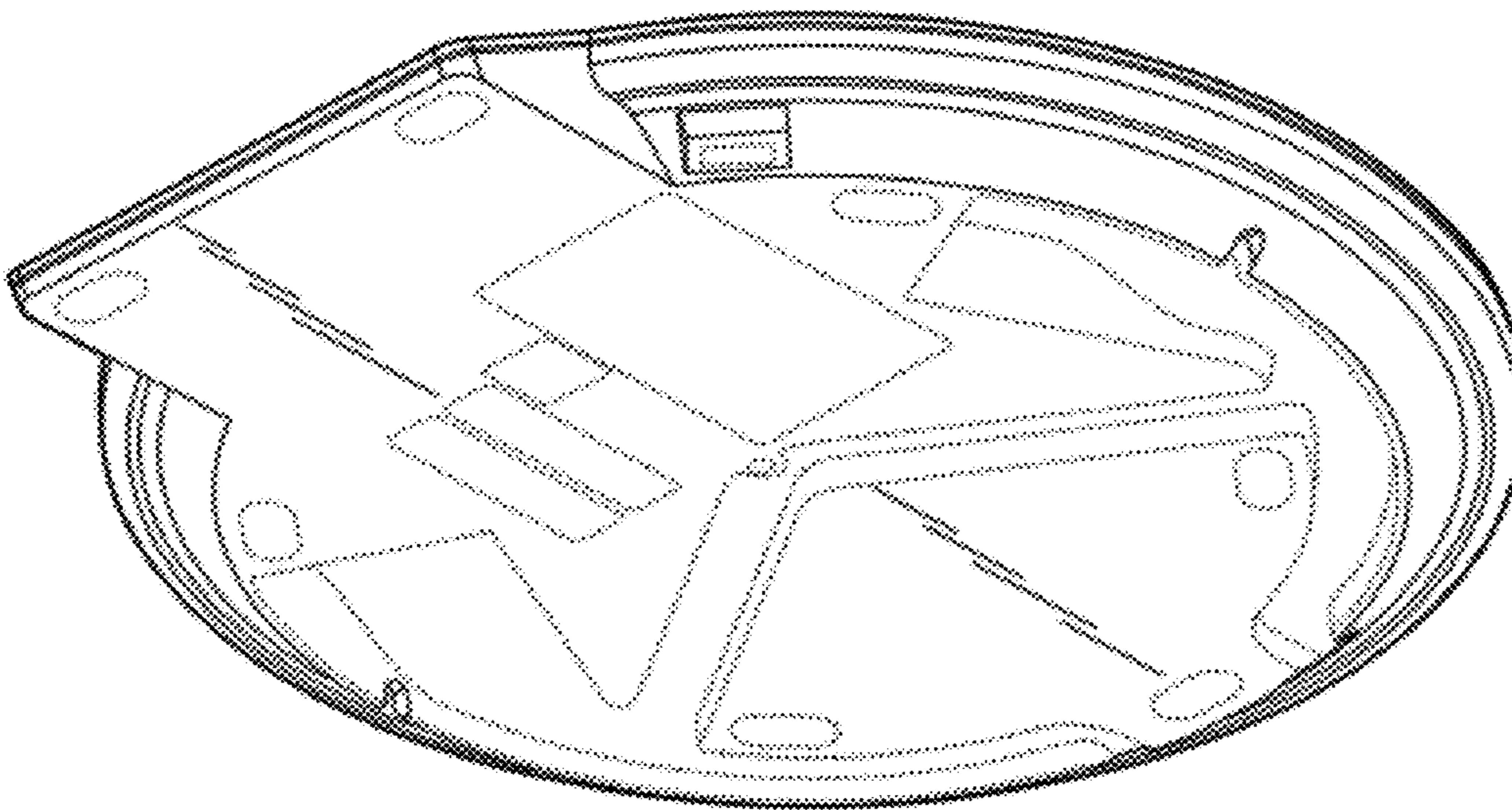


FIG. 4

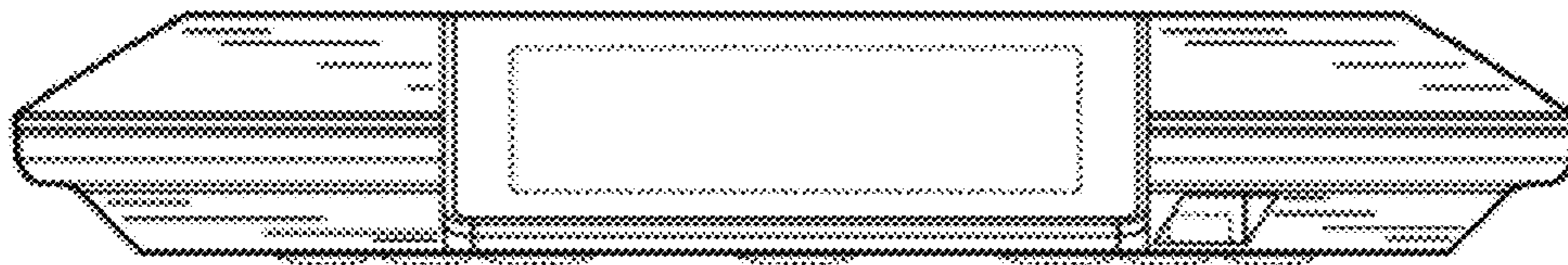


FIG. 5

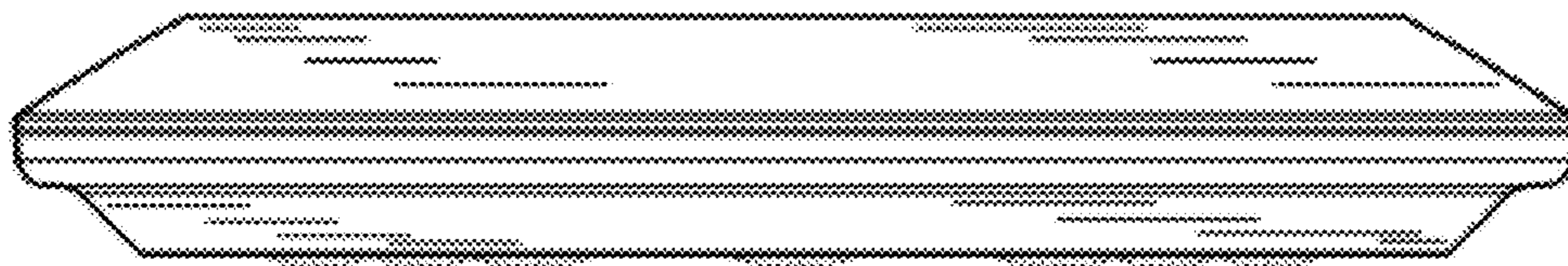


FIG. 6

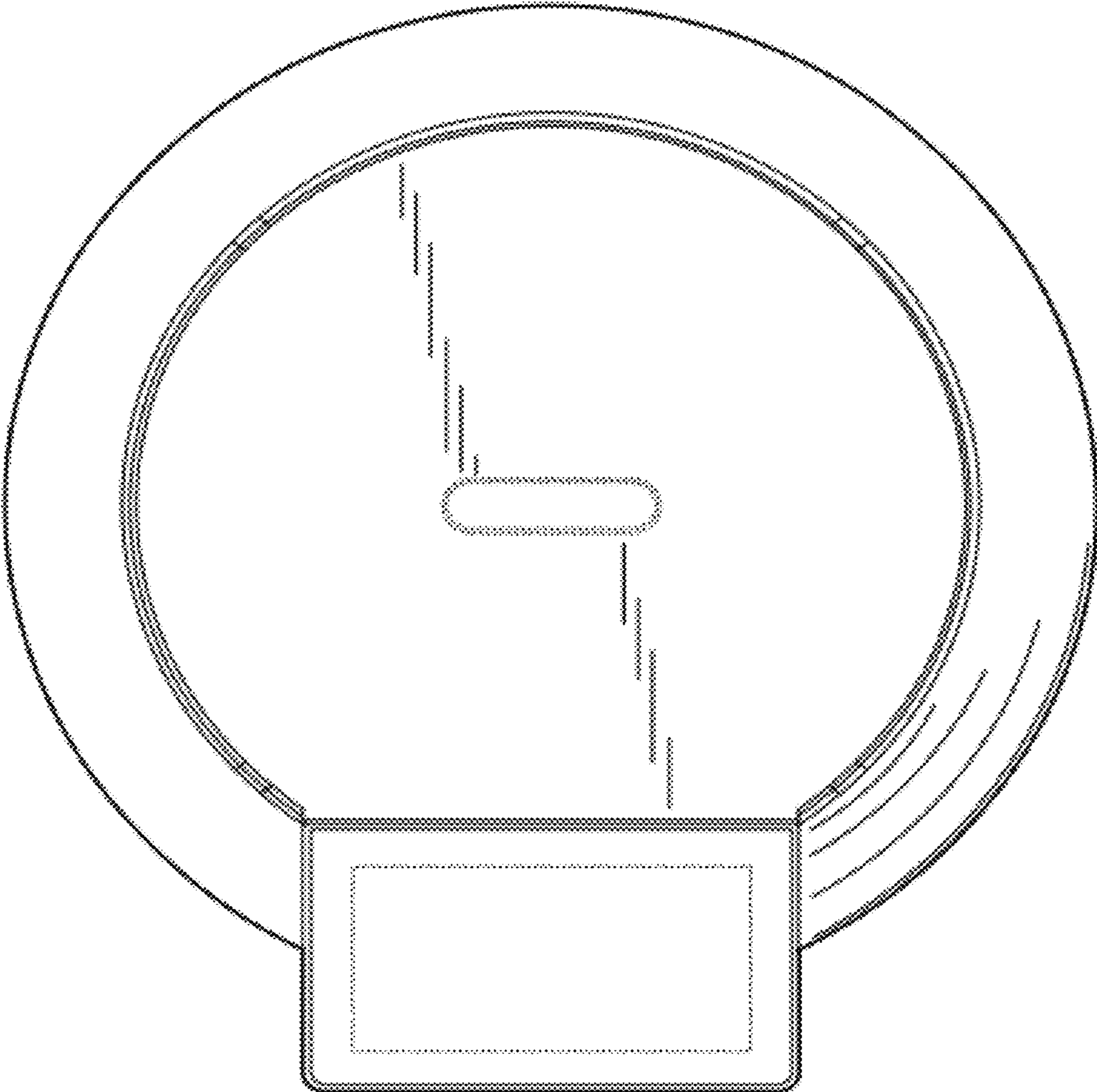


FIG. 7

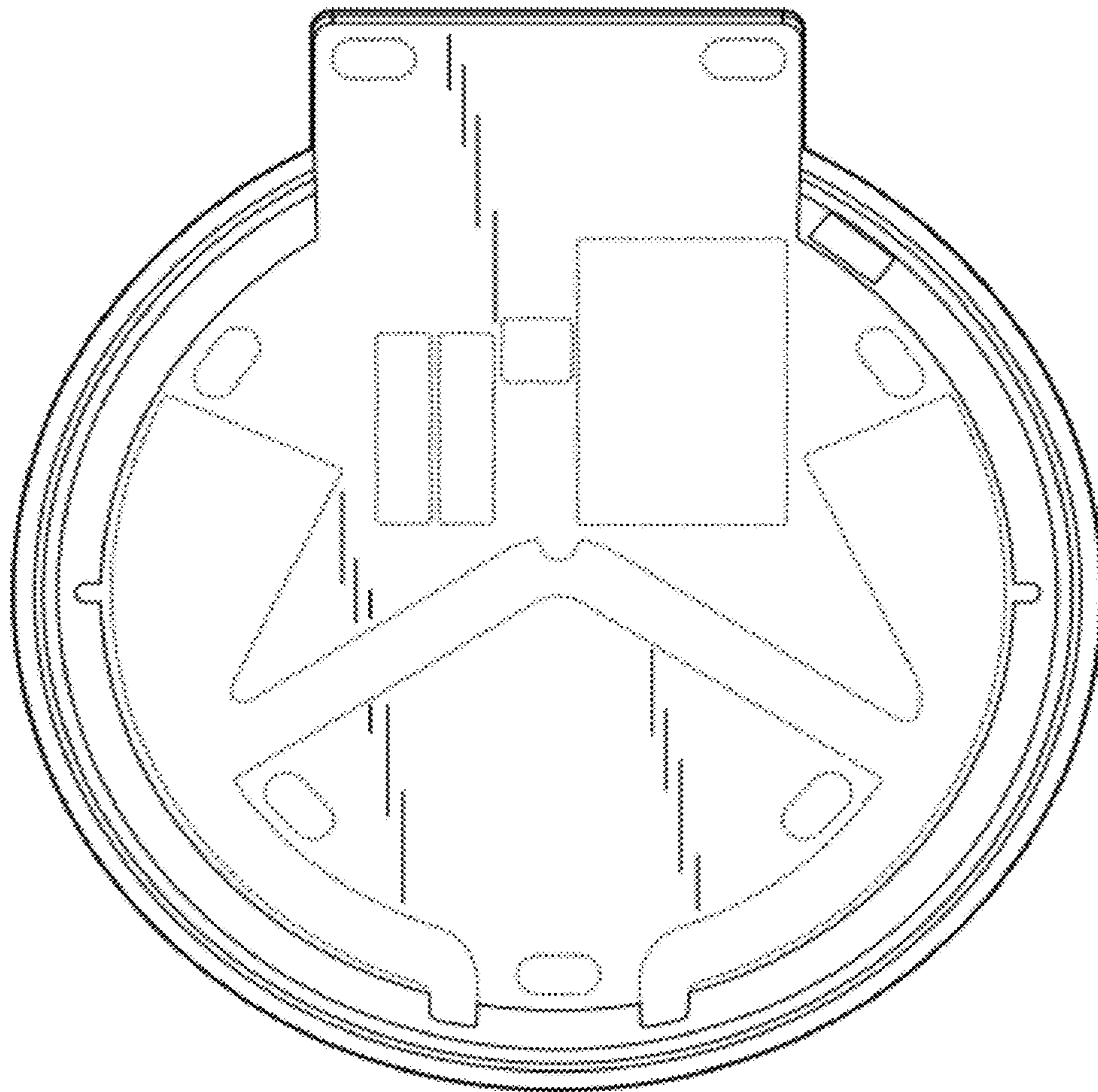


FIG. 8

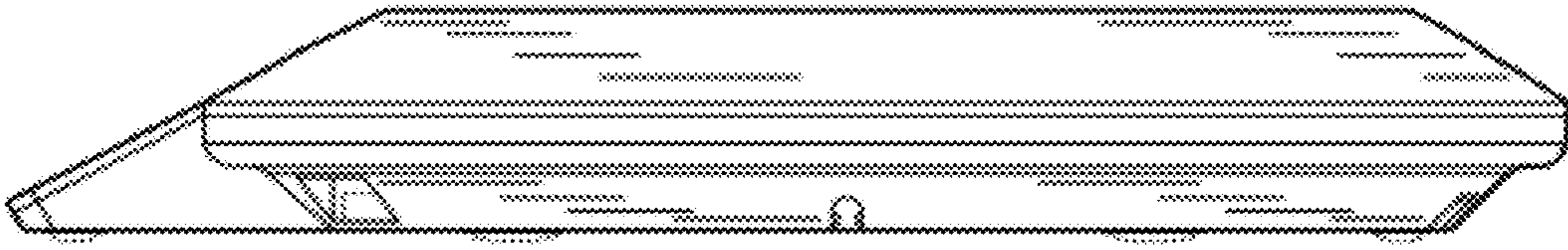


FIG. 9

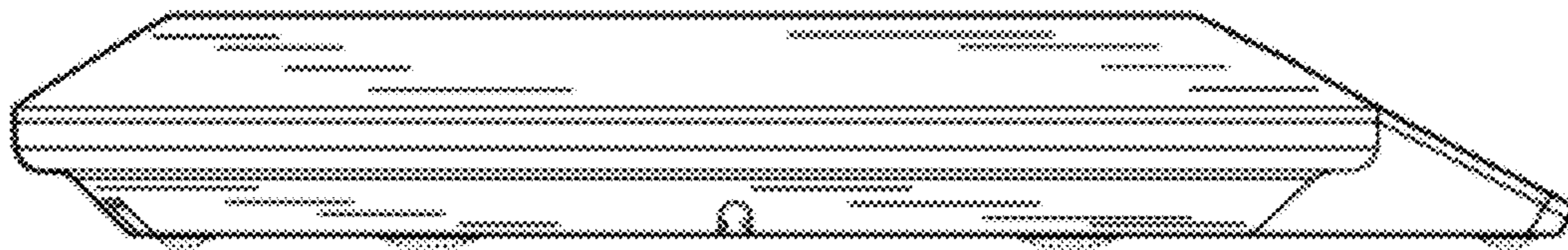


FIG. 10