



US00D677637S

(12) **United States Design Patent**
Kubota

(10) **Patent No.:** **US D677,637 S**
(45) **Date of Patent:** **** Mar. 12, 2013**

(54) **TELEVISION RECEIVER**

(75) Inventor: **Yuuki Kubota**, Tokyo (JP)
(73) Assignee: **Sony Corporation**, Tokyo (JP)
(**) Term: **14 Years**
(21) Appl. No.: **29/347,534**
(22) Filed: **Feb. 25, 2010**

(30) **Foreign Application Priority Data**

Jan. 5, 2010 (CN) 2010 3 0002005
Jan. 5, 2010 (JP) D2010-000105
Jan. 5, 2010 (JP) D2010-000106
Jan. 5, 2010 (JP) D2010-000107
Jan. 5, 2010 (JP) D2010-000108
Jan. 5, 2010 (JP) D2010-000109
Jan. 5, 2010 (JP) D2010-000110

(51) **LOC (9) Cl.** **14-03**

(52) **U.S. Cl.** **D14/126**

(58) **Field of Classification Search** D14/125-134,
D14/239, 371, 136, 374-377, 440, 450, 448,
D14/336, 342; 312/7.2; 348/836, 838, 180,
348/184, 325, 739; 341/12; 248/917-924,
248/465; 345/104, 133, 156, 168, 87, 173;
720/605, 669, 600, 655; 369/99, 197; D21/329,
D21/515, 577, 622, 333, 433, 448, 452, 450,
D21/331; D6/477, 479, 300; 273/148 B;
446/484, 175, 356; D10/15, 26

See application file for complete search history.

(56) **References Cited**

U.S. PATENT DOCUMENTS

5,687,538 A * 11/1997 Frobosilo et al. 52/846
(Continued)

FOREIGN PATENT DOCUMENTS

JP D642406 S 12/1984
JP D1023190 S 10/1998

(Continued)

OTHER PUBLICATIONS

Webpage, "Television," http://www.samsung.co.kr/UserFiles/Image/080418_fn2.jpg (cited in Office Action mailed by Japan Patent Office ("JPO") assigned as JPO Design Division Prior Art Document No. HJ20008388.

Primary Examiner — Raphael Barkai
Assistant Examiner — Randall Gholson

(74) *Attorney, Agent, or Firm* — Rader, Fishman & Grauer PLLC

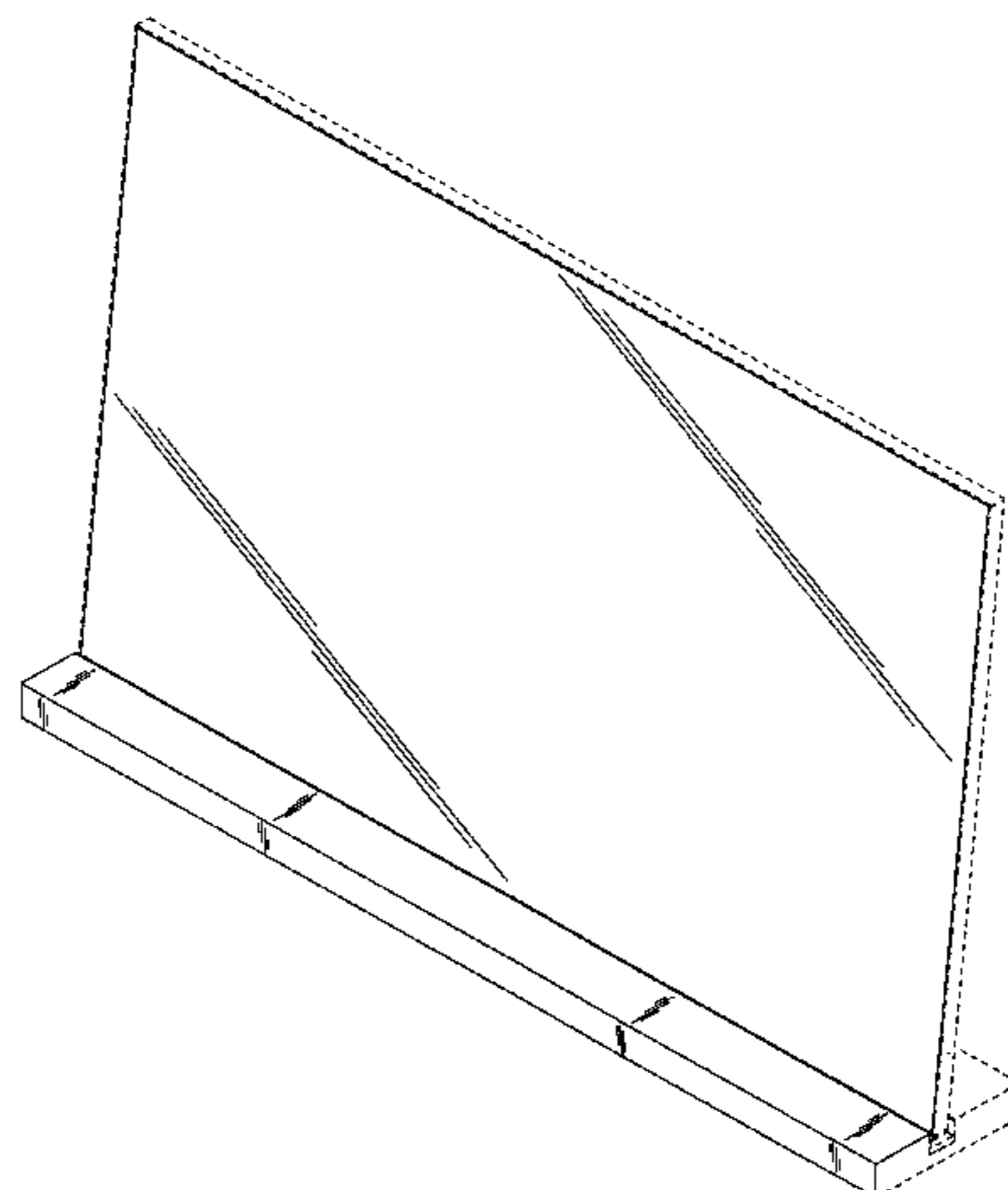
(57) **CLAIM**

The ornamental design for a television receiver, as shown and described.

DESCRIPTION

FIG. 1 is a perspective view of a first embodiment of a television receiver showing my new design; FIG. 2 is a front elevational view thereof; FIG. 3 is a left side elevational view thereof; FIG. 4 is a right side elevational view thereof; FIG. 5 is a top plan view thereof; and FIG. 6 is a bottom plan view thereof. FIG. 7 is a perspective view of a second embodiment of a television receiver showing my new design; FIG. 8 is a front elevational view thereof; FIG. 9 is a left side elevational view thereof; FIG. 10 is a right side elevational view thereof; FIG. 11 is a top plan view thereof; and FIG. 12 is a bottom plan view thereof. FIG. 13 is an enlarged perspective view thereof along the lines 13-13 and 13'-13' of FIG. 7; FIG. 14 is another enlarged perspective view thereof along the lines 14-14 and 14'-14' of FIG. 7; and FIG. 15 is another enlarged perspective view thereof along the lines 15-15 and 15'-15' of FIG. 7. FIG. 16 is an enlarged front elevational view thereof along the lines 16-16 and 16'-16' of FIG. 8; FIG. 17 is another enlarged front elevational view thereof along the lines 17-17 and 17'-17' of FIG. 8; and FIG. 18 is another enlarged front elevational view thereof along the lines 18-18 and 18'-18' of FIG. 8. Portions in broken lines are for illustrative purposes only and form no part of claimed design. Dot-dash broken lines define the boundaries of, but not included in, the claimed design.

1 Claim, 14 Drawing Sheets



US D677,637 S

Page 2

U.S. PATENT DOCUMENTS

D398,316 S * 9/1998 Feldman D16/135
5,956,916 A * 9/1999 Liss 52/655.1
D420,834 S * 2/2000 Anderson D6/449
6,053,467 A * 4/2000 Walker et al. 248/450
6,128,868 A * 10/2000 Ohtsuka et al. 52/173.3
6,142,315 A * 11/2000 Aroust 211/45
6,240,684 B1 * 6/2001 Bigelow 52/174
6,263,636 B1 * 7/2001 Corston 52/741.1
6,378,256 B1 * 4/2002 Gembala 52/301
D460,056 S 7/2002 Niitsu
D463,440 S 9/2002 Oba
D468,134 S 1/2003 Oikawa
6,510,667 B1 * 1/2003 Cottier et al. 52/742.14
D484,332 S 12/2003 Niitsu
6,681,613 B1 * 1/2004 English 72/457
D486,456 S 2/2004 Fujiki
D529,316 S * 10/2006 Fujiki D6/478
7,257,930 B2 * 8/2007 Aldykiewicz et al. 52/411
7,305,799 B2 * 12/2007 Smelser et al. 52/167.3
D569,815 S 5/2008 Otani
D578,087 S * 10/2008 Yokota D14/126
D582,867 S * 12/2008 Song et al. D14/126
7,461,481 B2 * 12/2008 Tsai 52/167.3
D590,785 S 4/2009 Yokota
7,546,714 B2 * 6/2009 Masterson et al. 52/289
D598,446 S * 8/2009 Pan et al. D14/337
7,575,213 B2 * 8/2009 Rausch 248/317

D599,756 S 9/2009 Yokota
7,617,627 B1 * 11/2009 Waidelich 40/607.1
D648,401 S * 11/2011 Johnson D21/392
2004/0172911 A1 * 9/2004 Tadich 52/633
2005/0257450 A1 * 11/2005 Tsai 52/167.1
2008/0250732 A1 * 10/2008 Tsai 52/167.3

FOREIGN PATENT DOCUMENTS

JP D1076457 S 6/2000
JP D1076463 S 6/2000
JP D1079605 S 7/2000
JP D1085030 S 9/2000
JP D1085546 S 9/2000
JP D1124678 S 10/2001
JP D1126301 S 11/2001
JP D1168885 S 3/2003
JP D1169701 S 4/2003
JP D1192970 S 12/2003
JP D1193591 S 1/2004
JP D1225616 S 12/2004
JP D1245121 S 7/2005
JP D1296090 S 3/2007
JP D1331111 S 5/2008
JP D1374413 S 11/2009
JP D1374415 S 11/2009
KR 30-0371841 S 1/2005
KR 30-0501725 S 8/2008

* cited by examiner

FIG.1

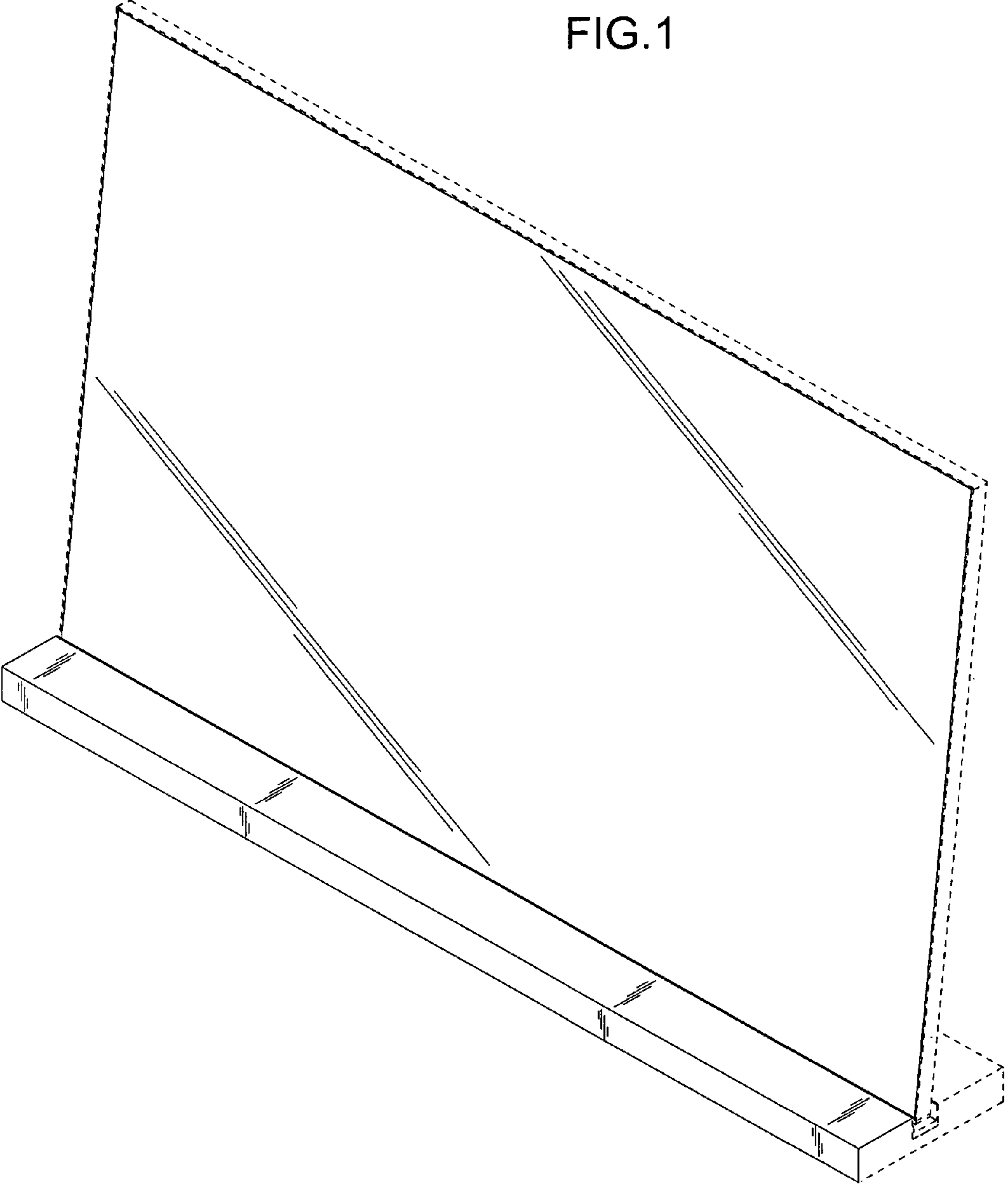


FIG.2

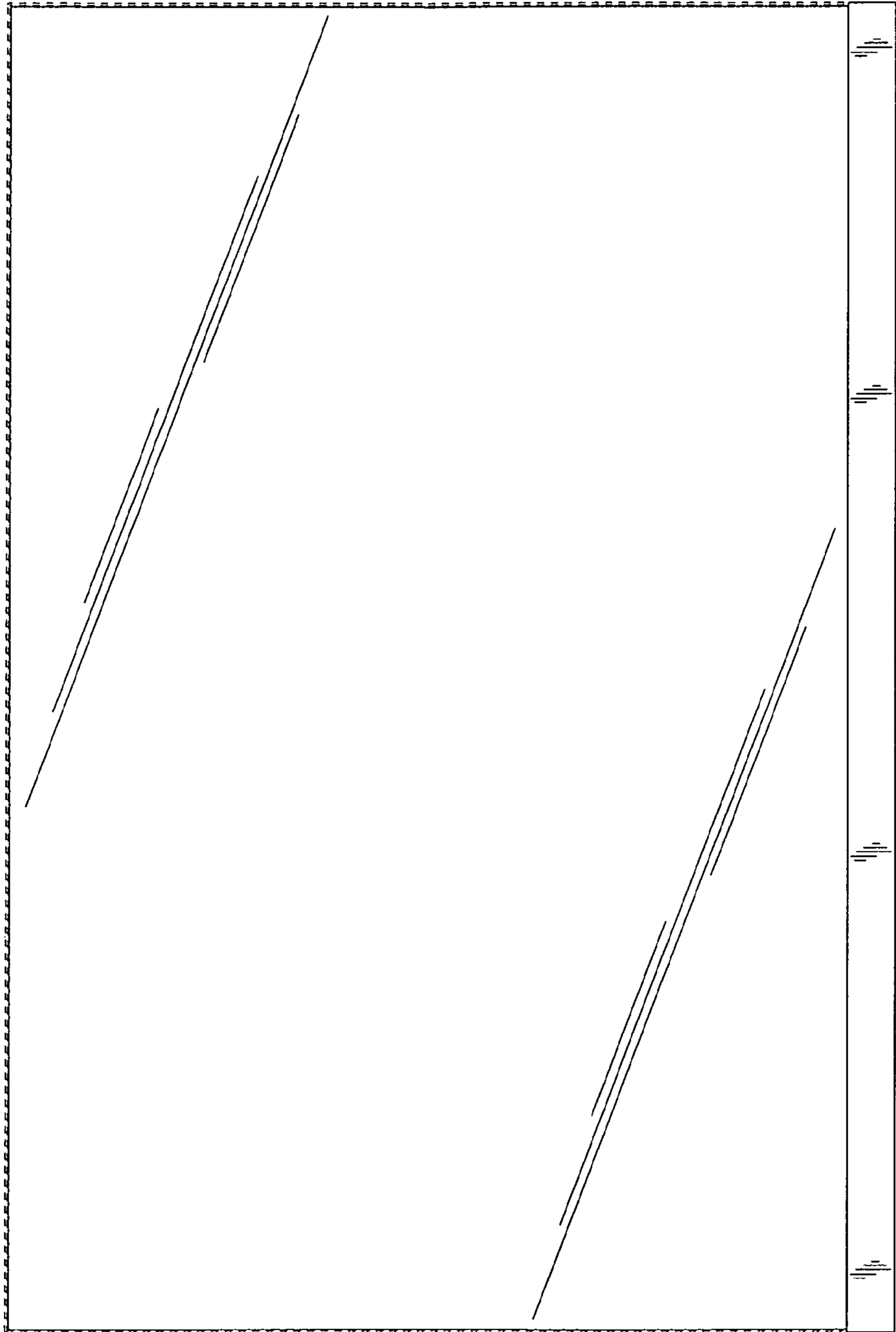


FIG.3

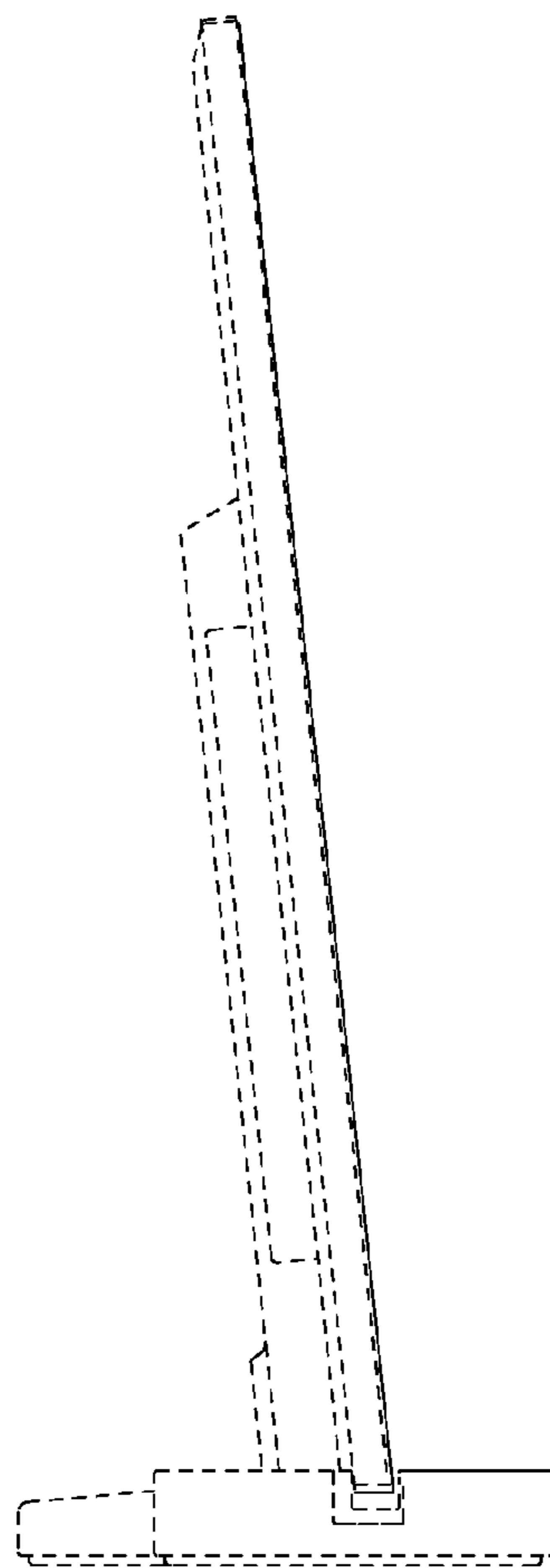


FIG.4

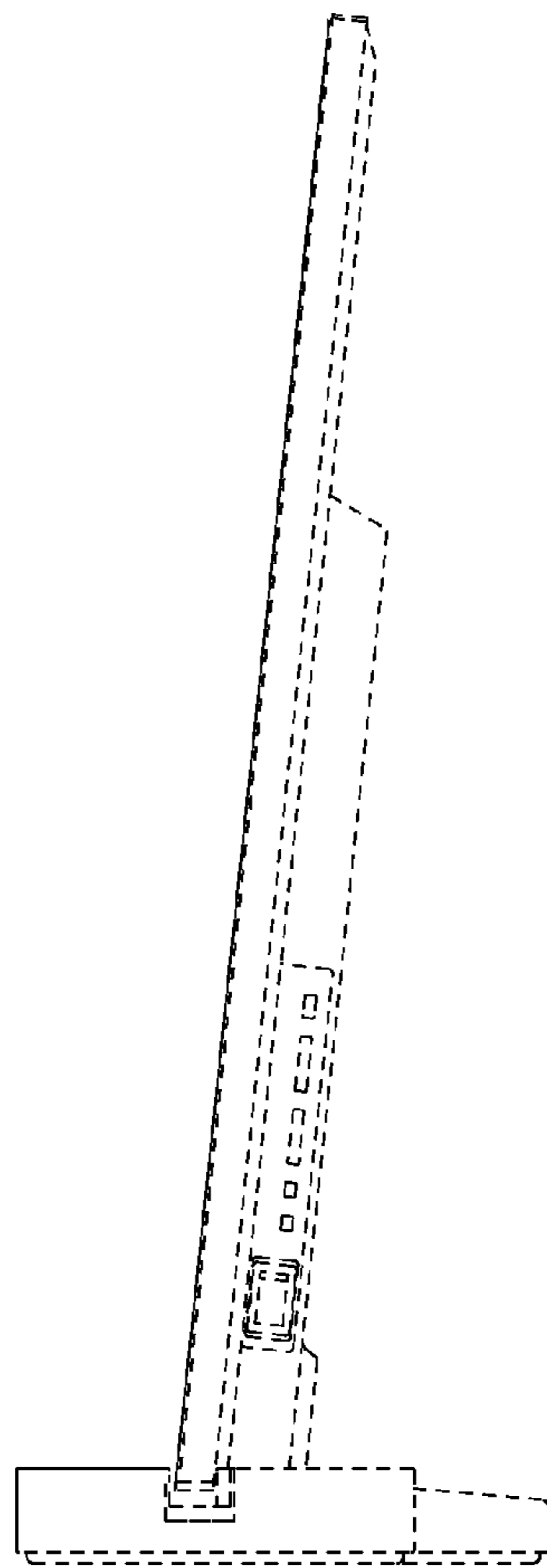


FIG.5

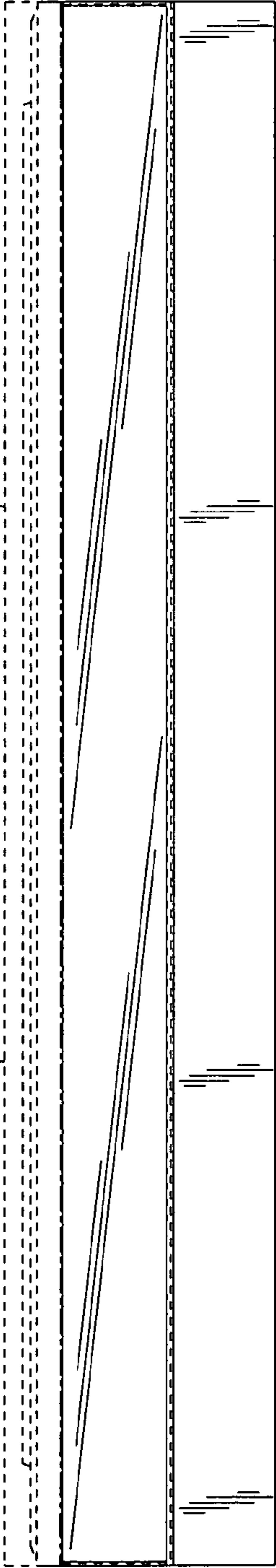
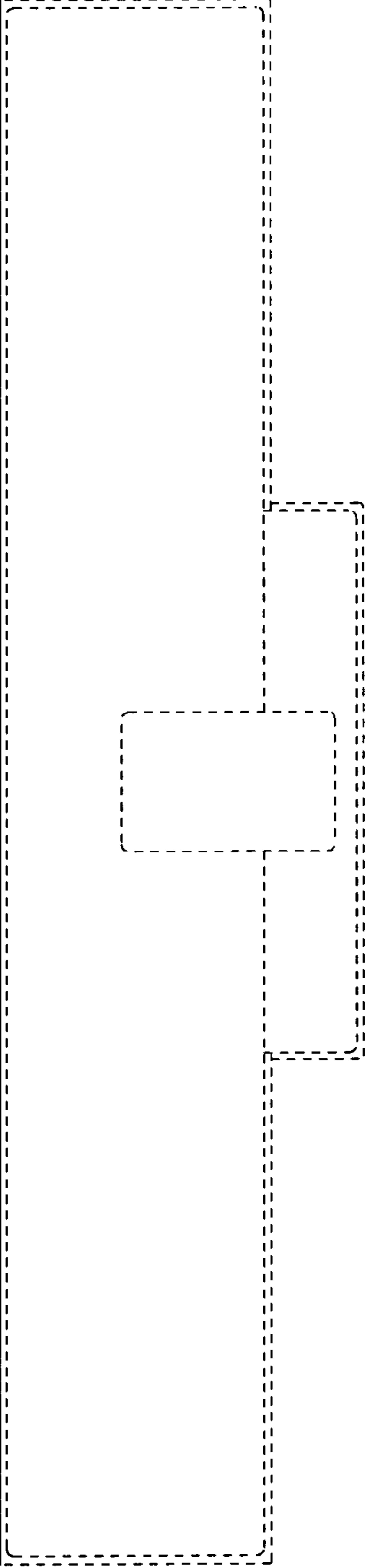


FIG.6



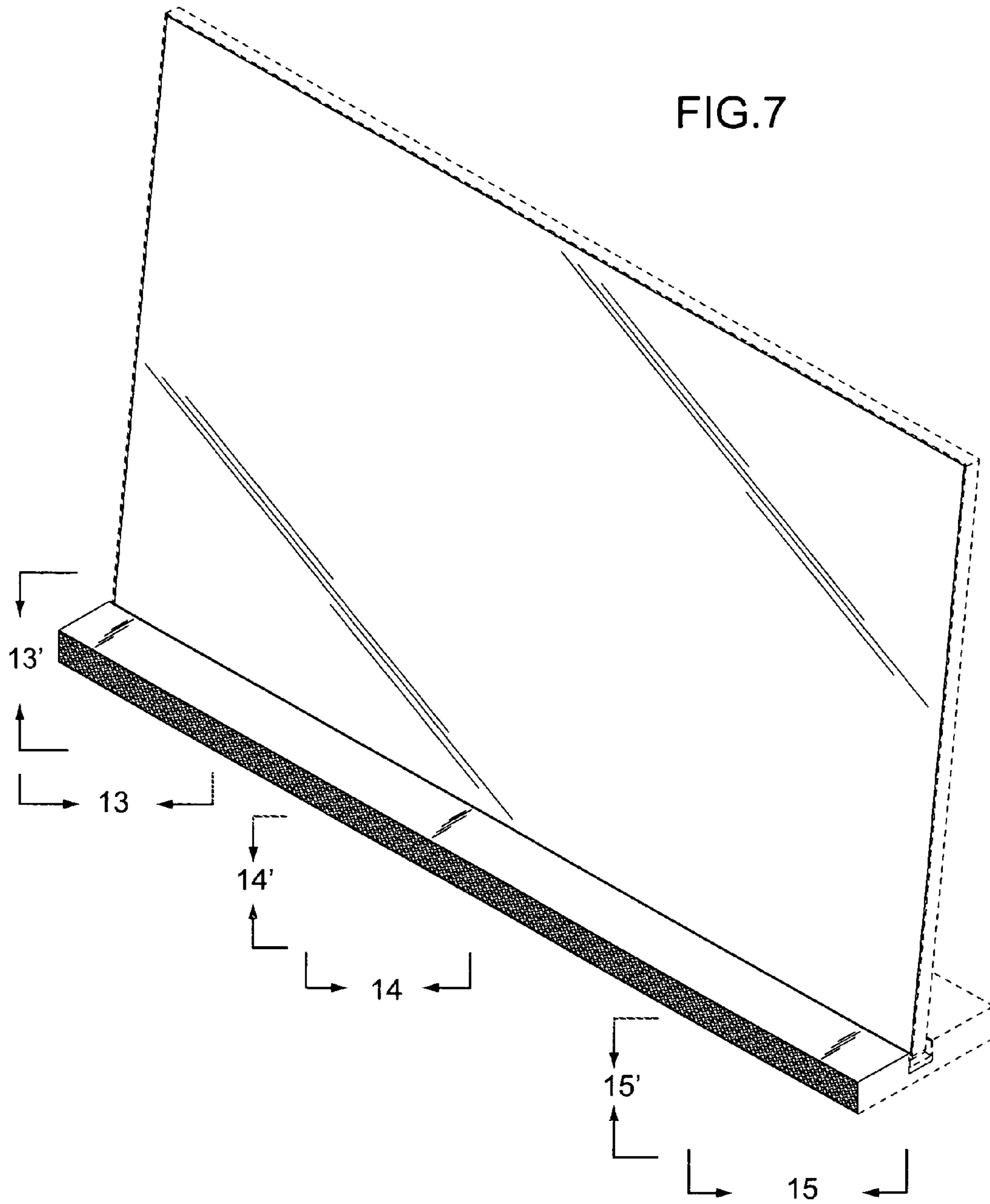


FIG. 8

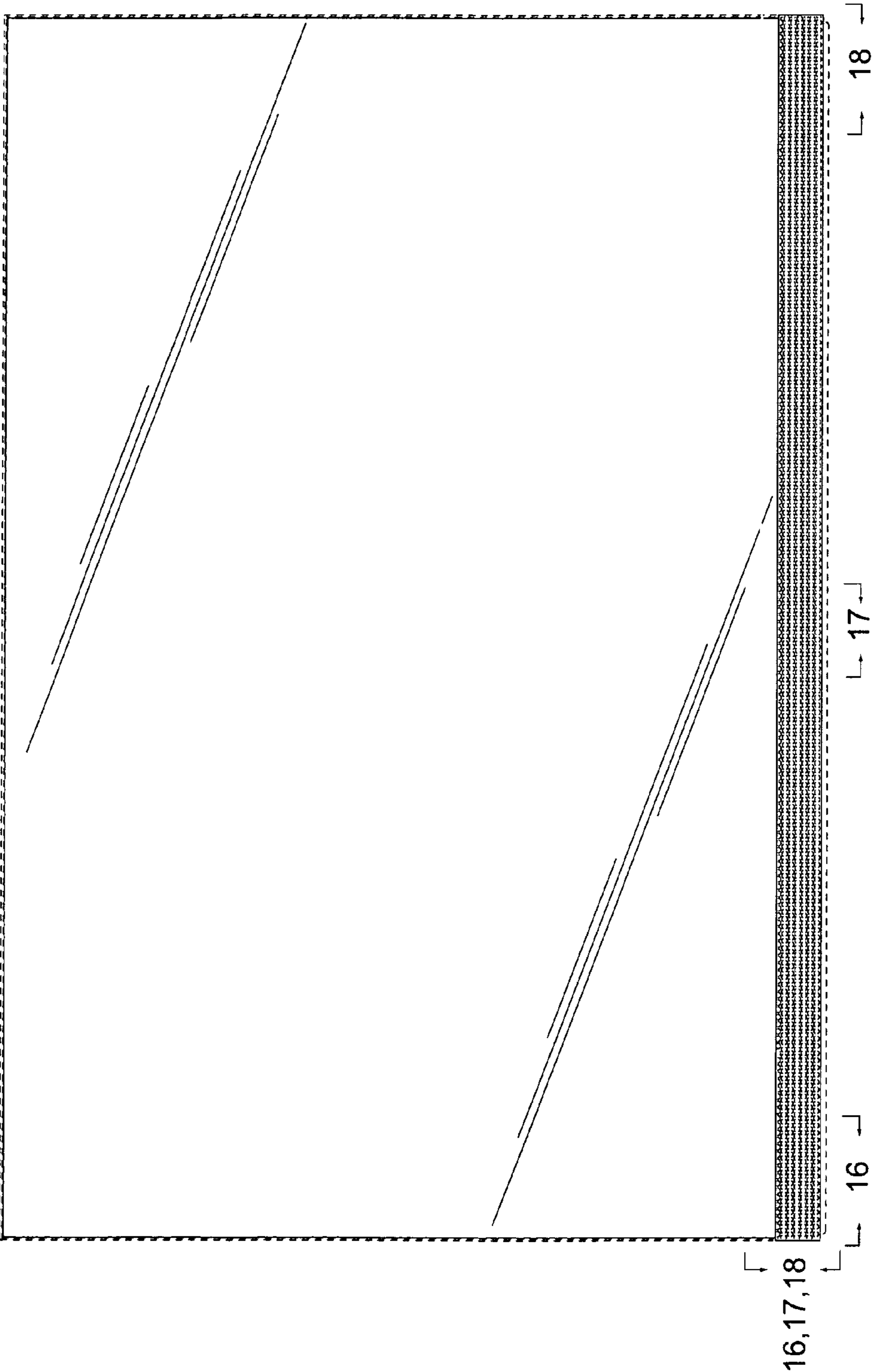


FIG.9

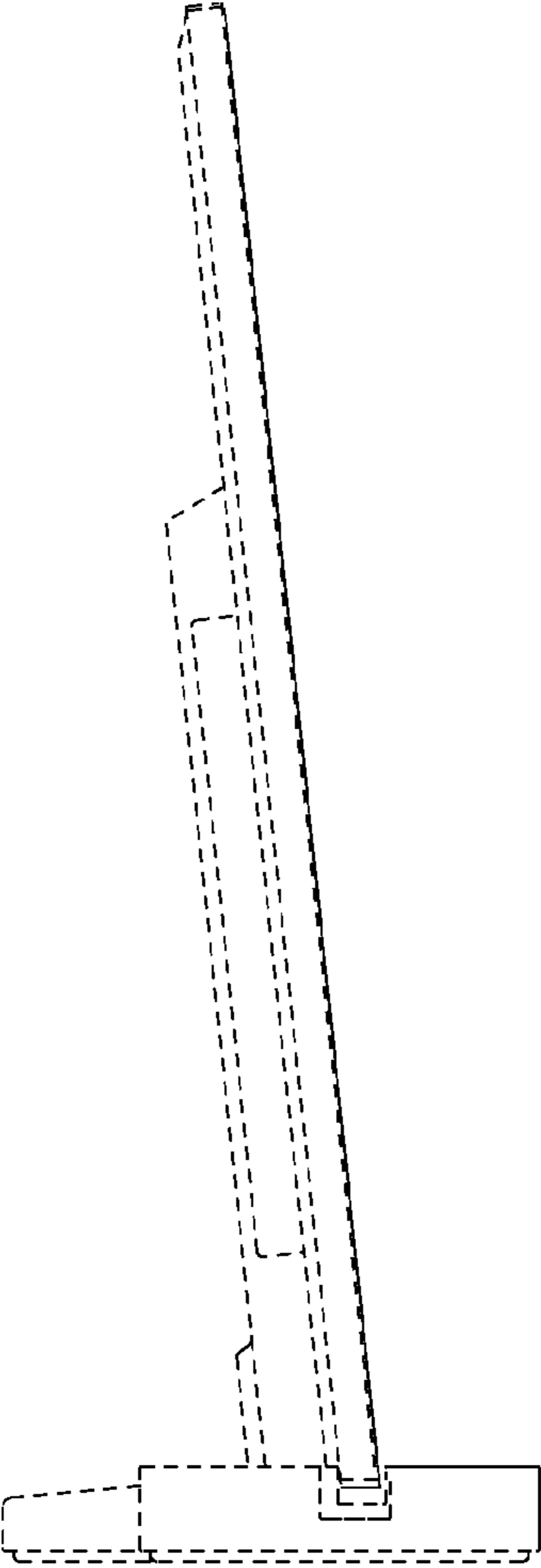


FIG.10

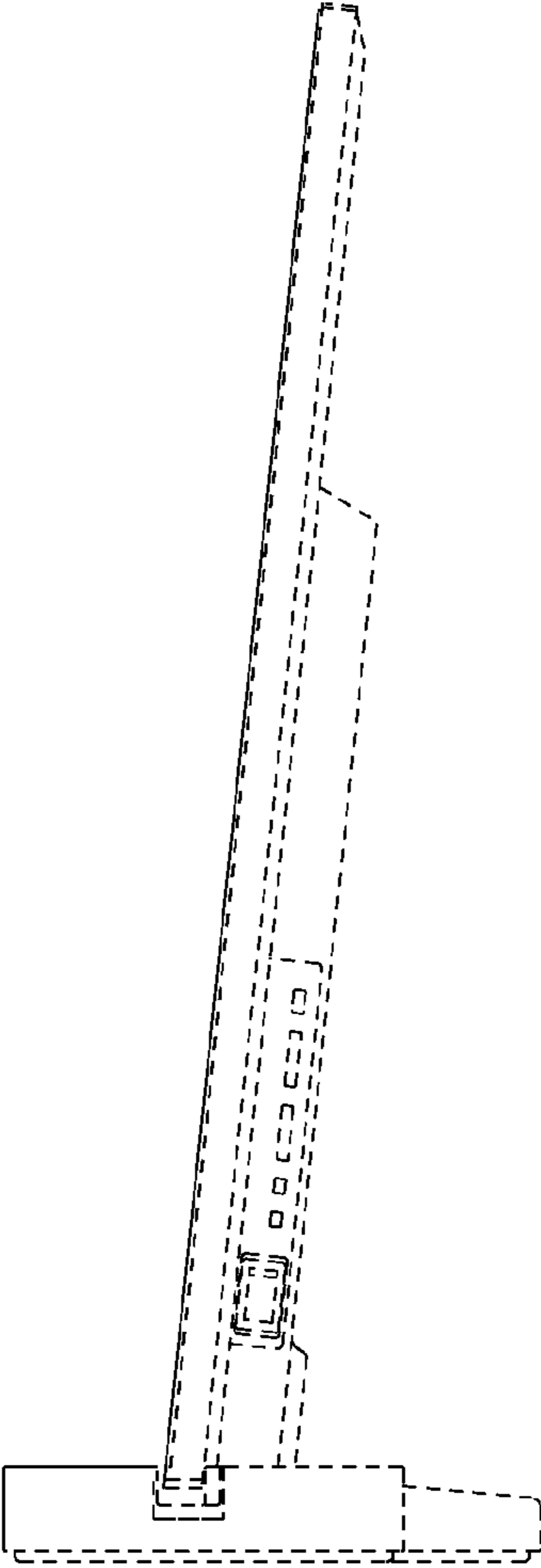


FIG.11

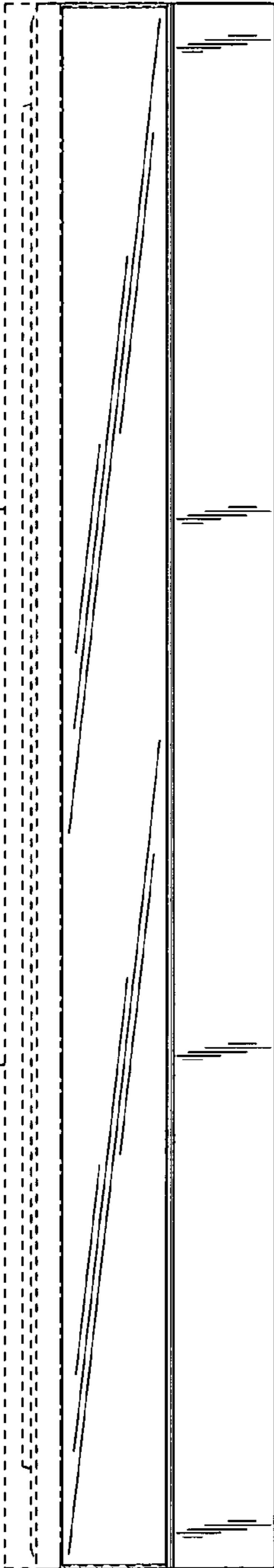


FIG.12

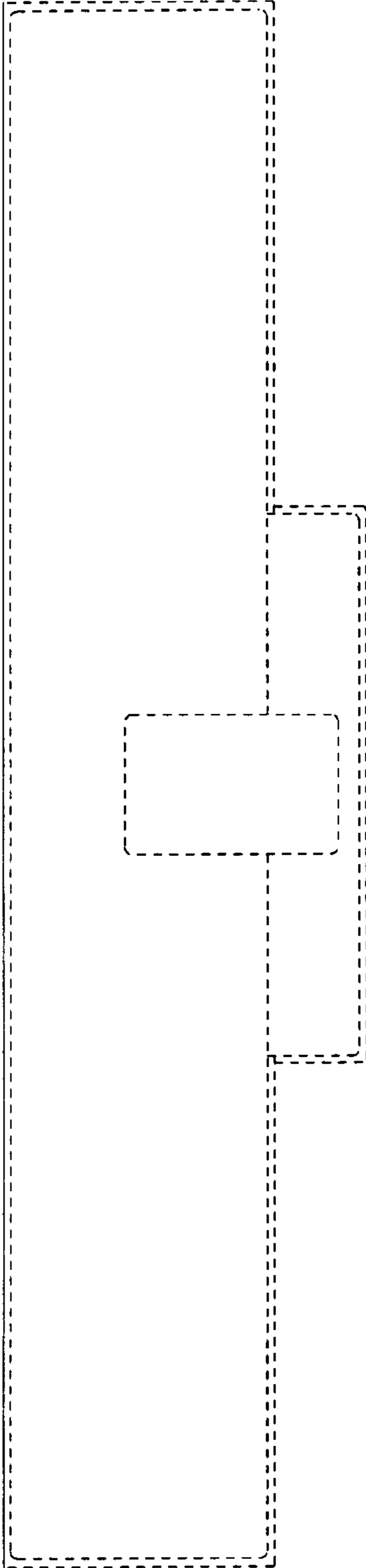


FIG.13

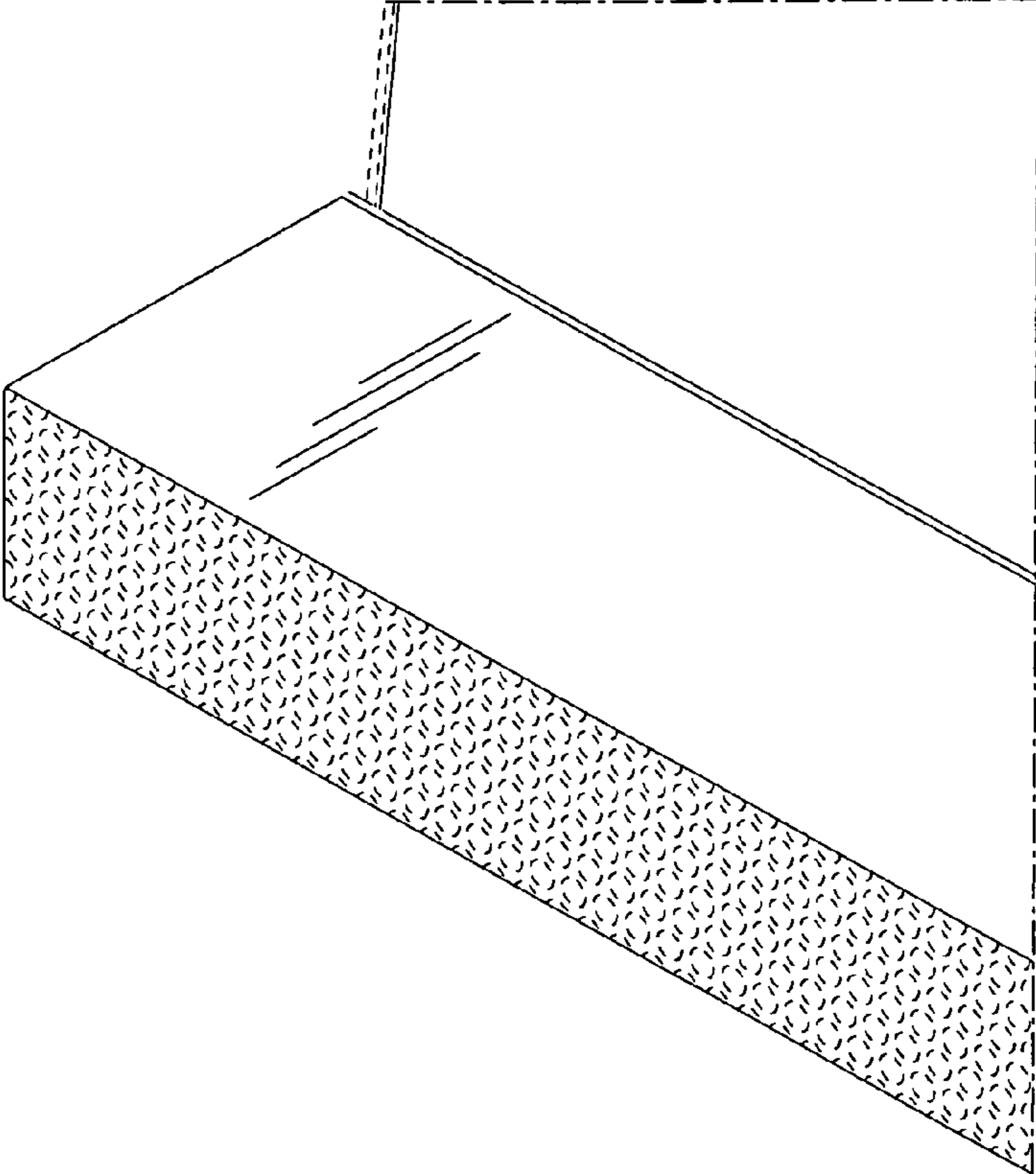


FIG.14

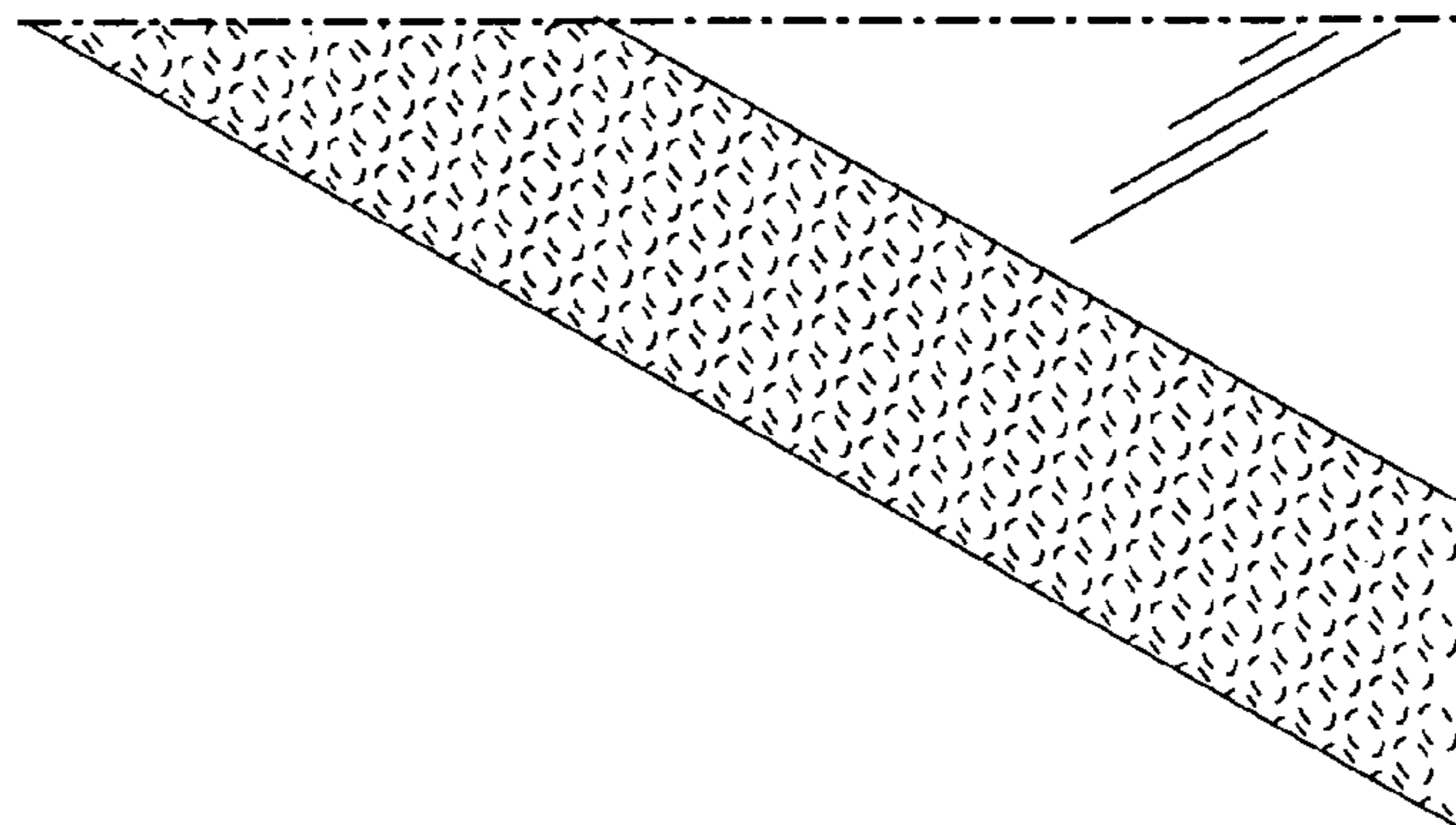


FIG.15

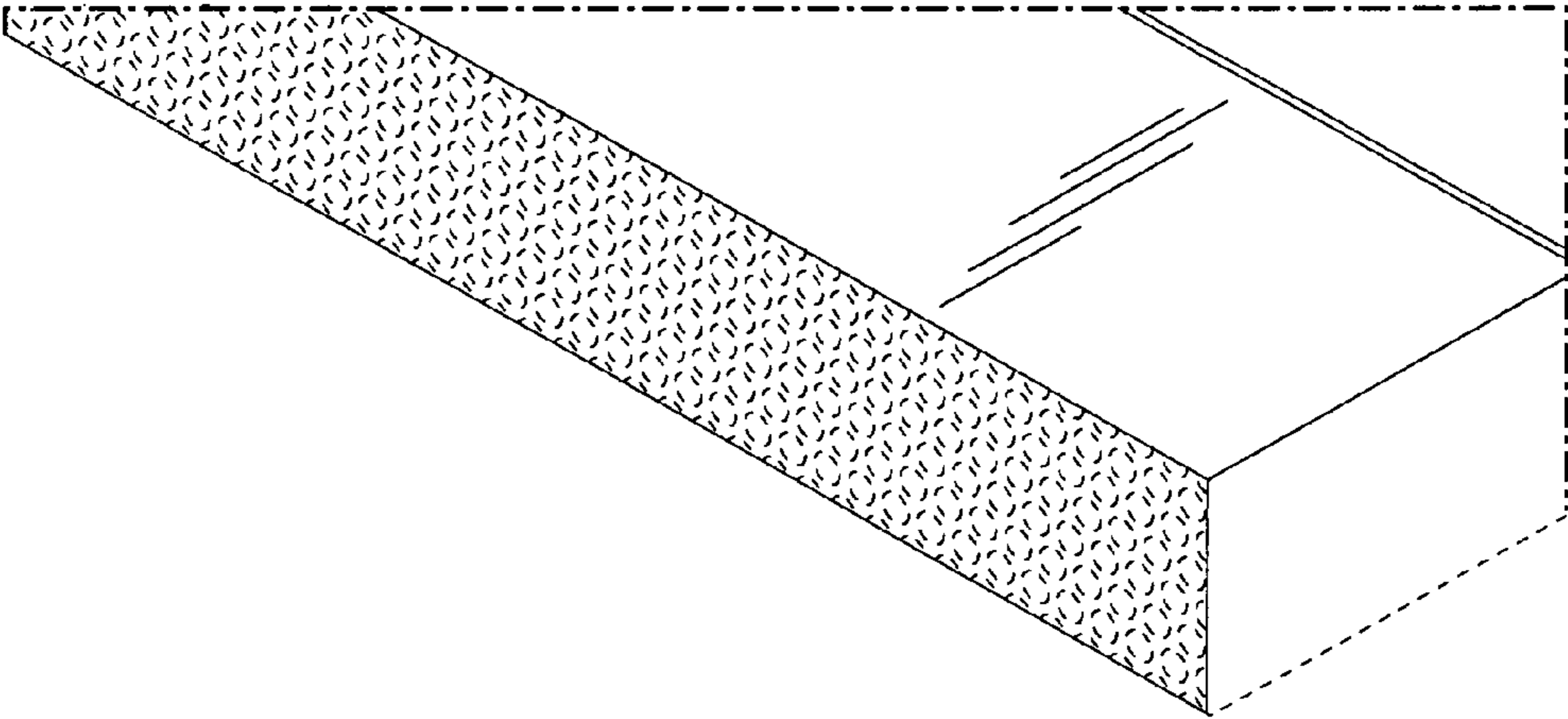


FIG.16

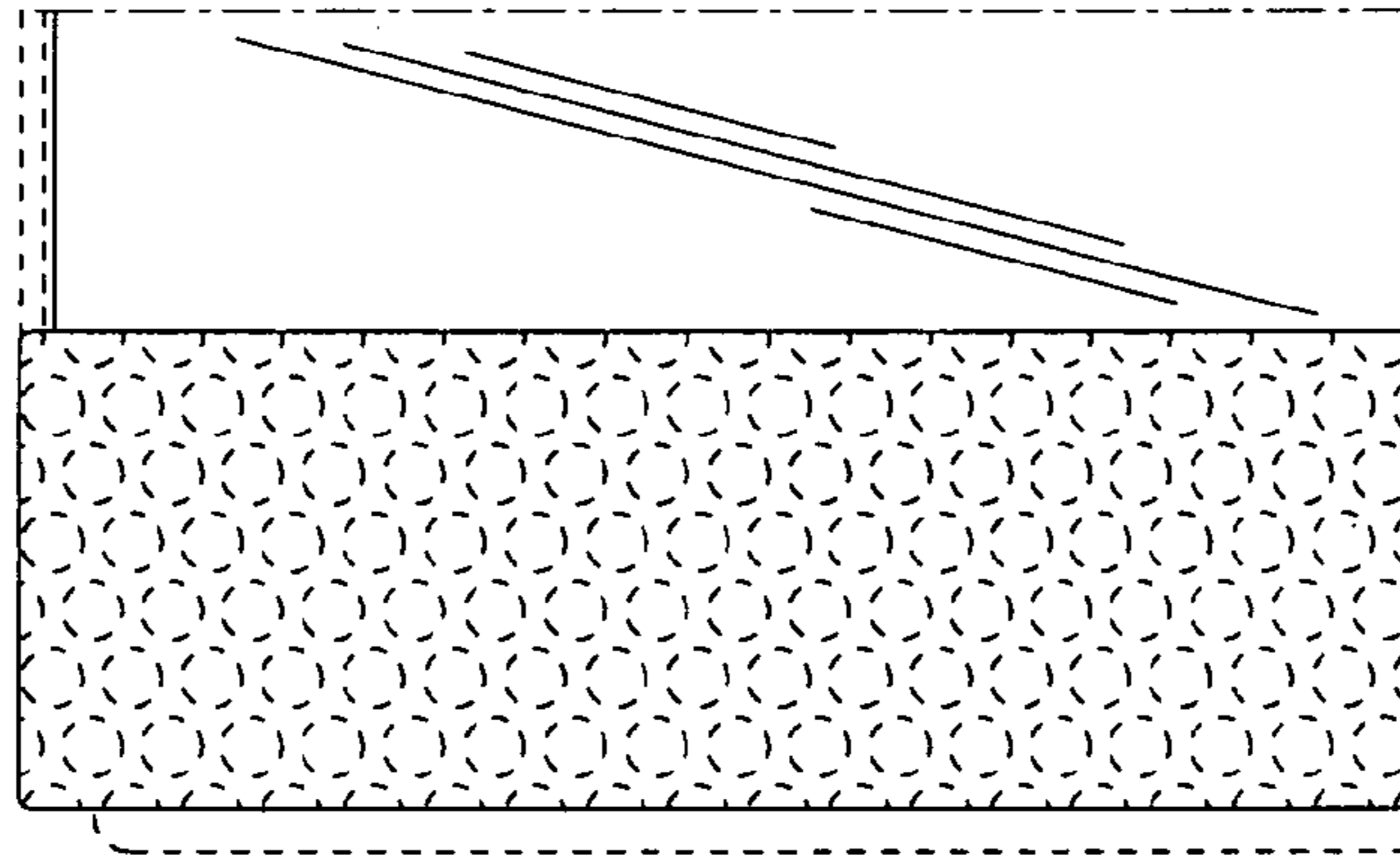


FIG.17

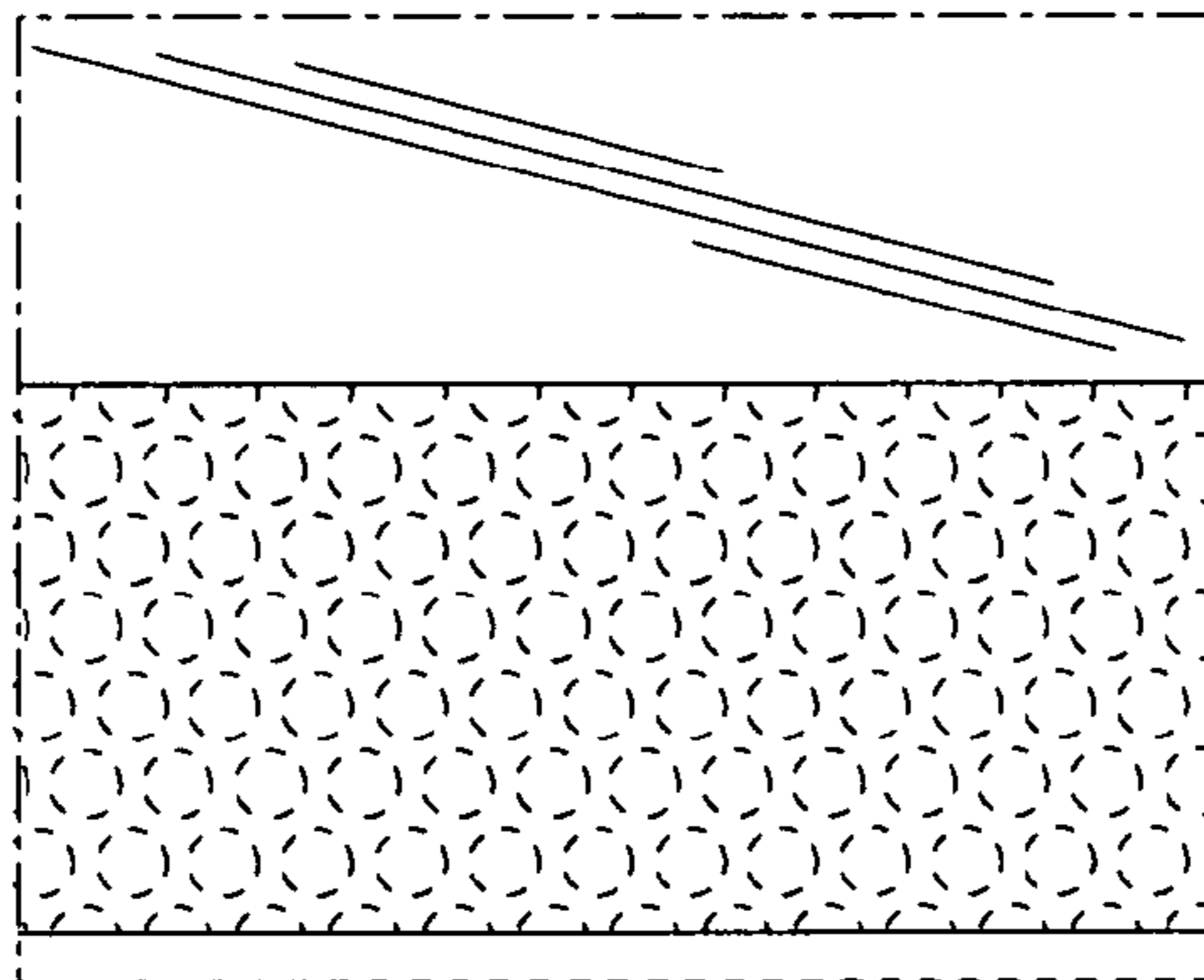


FIG.18

