



US00D677635S

(12) **United States Design Patent**
Ling et al.

(10) **Patent No.:** **US D677,635 S**
(45) **Date of Patent:** **** Mar. 12, 2013**

(54) **CONTROL HOUSING**

(75) Inventors: **Juan Ling**, Xi'an (CN); **Ruihuan Wang**, Xi'an (CN)

(73) Assignee: **Emerson Electric Co.**, St. Louis, MO (US)

(**) Term: **14 Years**

(21) Appl. No.: **29/415,695**

(22) Filed: **Mar. 13, 2012**

Related U.S. Application Data

(63) Continuation of application No. 29/384,883, filed on Feb. 4, 2011, now Pat. No. Des. 658,598.

(51) **LOC (9) Cl.** **13-03**

(52) **U.S. Cl.** **D13/177**

(58) **Field of Classification Search** D13/162, D13/164, 177, 184; D10/49, 50, 142, 240; 174/66; 165/209; 200/293, 308; 220/3.2, 220/3.3; 236/51; 361/600, 601, 622, 679.01; 700/17, 65, 83, 276

See application file for complete search history.

(56) **References Cited**

U.S. PATENT DOCUMENTS

| | | | | |
|-----------|------|---------|-------------------|---------|
| D363,722 | S | 10/1995 | Aldridge et al. | |
| D401,568 | S | 11/1998 | Alden et al. | |
| 5,871,086 | A | 2/1999 | Bachschnid | |
| D408,823 | S | 4/1999 | Kirby | |
| 6,098,825 | A | 8/2000 | Kohnen | |
| 6,196,467 | B1 | 3/2001 | Dushane et al. | |
| 6,449,533 | B1 | 9/2002 | Mueller et al. | |
| D468,272 | S | 1/2003 | Parsadayan et al. | |
| 7,047,092 | B2 * | 5/2006 | Wimsatt | 700/83 |
| 7,276,659 | B2 | 10/2007 | Thrift et al. | |
| 7,957,839 | B2 * | 6/2011 | Takach et al. | 700/276 |

| | | | | |
|--------------|-----|---------|------------------|---------|
| D642,992 | S | 8/2011 | Sasaki et al. | |
| 8,035,045 | B2 | 10/2011 | Bremicker et al. | |
| D653,662 | S | 2/2012 | Park et al. | |
| D658,598 | S * | 5/2012 | Ling et al. | D13/177 |
| 2004/0262410 | A1 | 12/2004 | Hull | |
| 2008/0294274 | A1 | 11/2008 | Laberge et al. | |
| 2010/0006660 | A1 | 1/2010 | Leen et al. | |

FOREIGN PATENT DOCUMENTS

CN 301596683 6/2011

OTHER PUBLICATIONS

Emerson Climate Technologies; 1F98EZ-1421; Apr. 13, 2011; 2 pgs.
Emerson Climate Technologies; 1F98EZ-1621; Nov. 25, 2011; 2 pgs.
http://www.emersonclimate.com/en-US/products/thermostats/Pages/programmable_universal_thermostats.aspx#1F98EZ-1421;
Apr. 13, 2011; 6 pgs.

* cited by examiner

Primary Examiner — Selina Sikder

(74) *Attorney, Agent, or Firm* — Harness, Dickey & Pierce, P.L.C.

(57) **CLAIM**

The ornamental design for a control housing, as shown and described.

DESCRIPTION

FIG. 1 is a front and right side perspective view of the control housing;

FIG. 2 is a front elevation view thereof;

FIG. 3 is a right elevation view thereof;

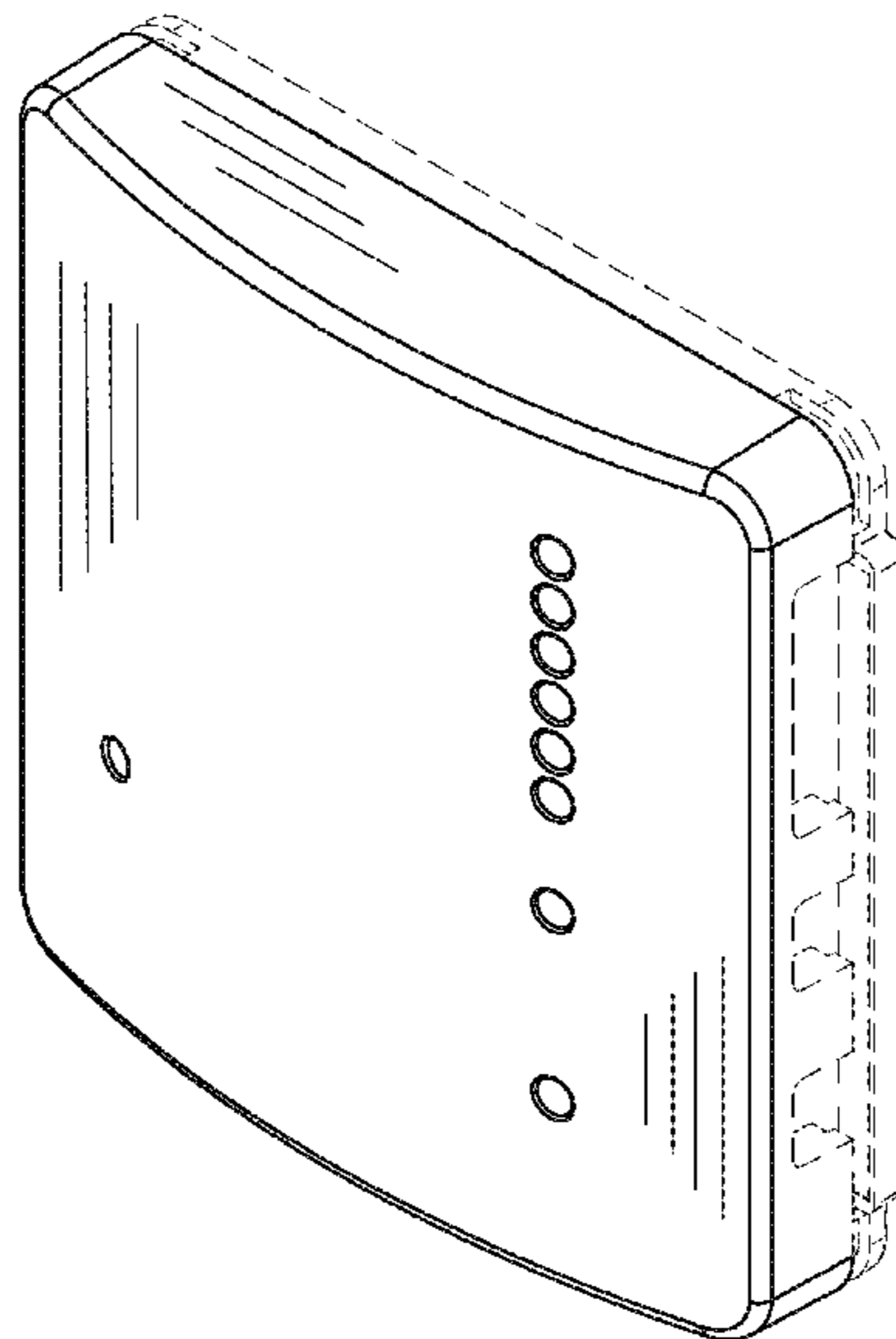
FIG. 4 is a left elevation view thereof; and,

FIG. 5 is a top plan view thereof.

No claim is made to ornamentation on the bottom or rear view of the control housing.

The features shown in broken lines depict environmental subject matter only and form no part of the claimed design.

1 Claim, 2 Drawing Sheets



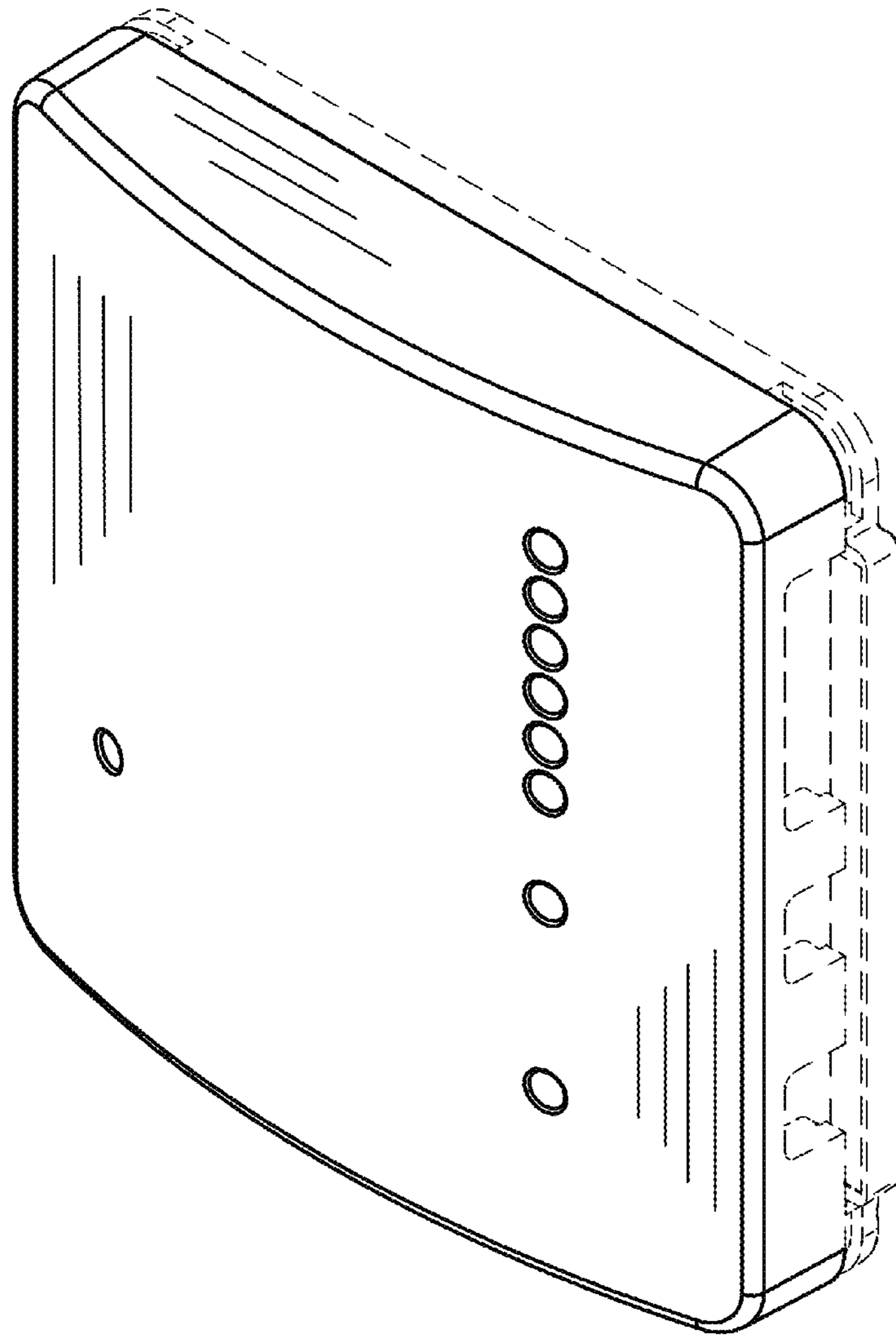


FIG. 1

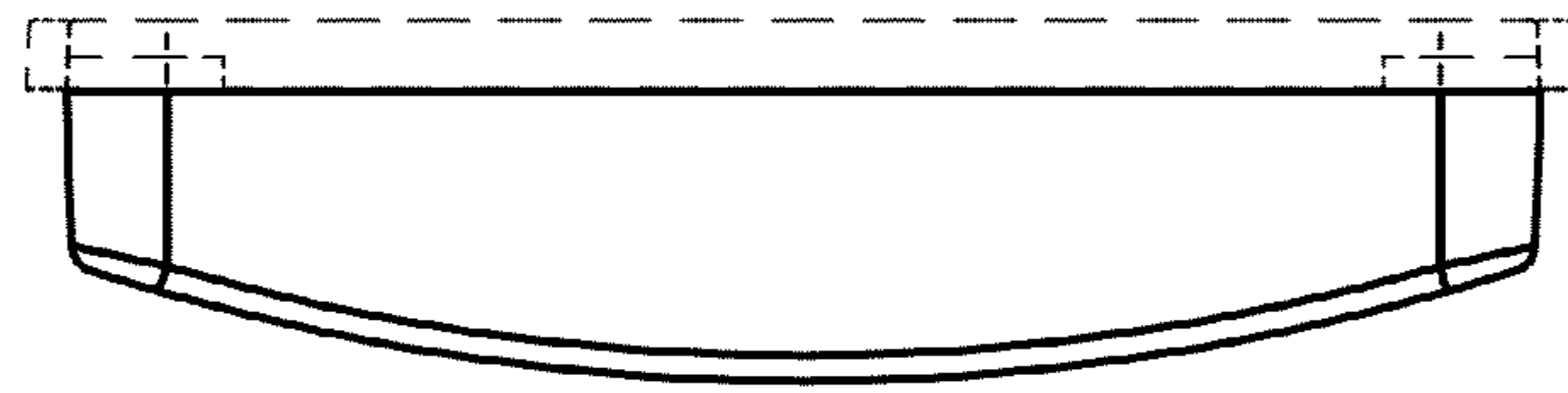


FIG. 5

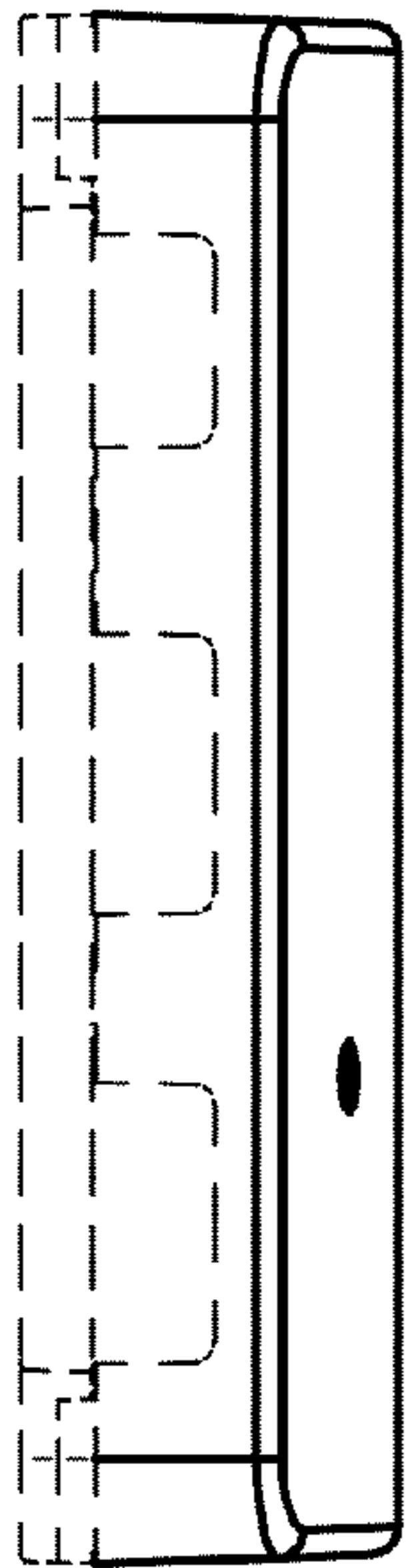


FIG. 4

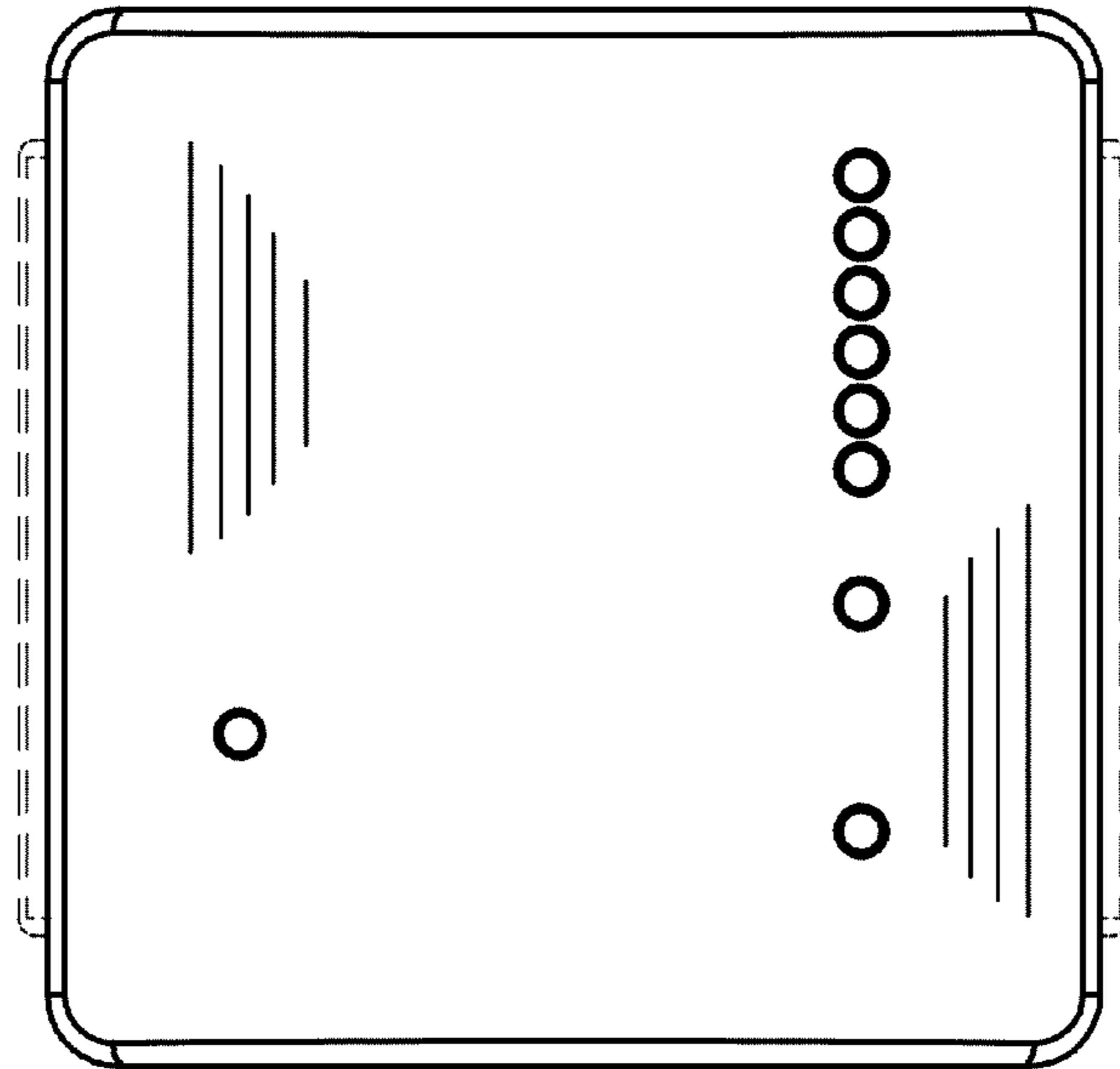


FIG. 2

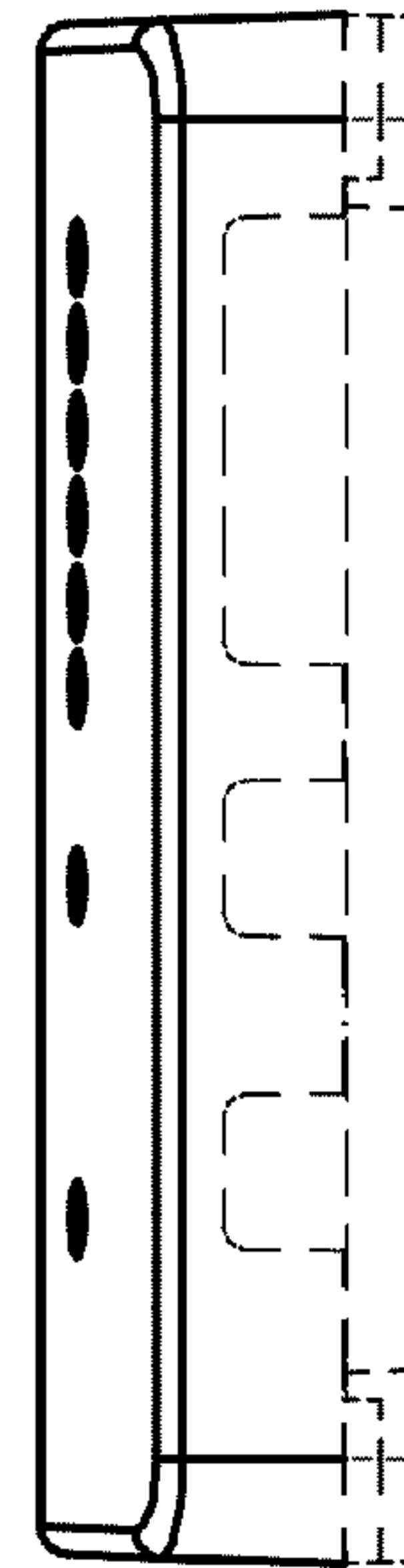


FIG. 3