



US00D677633S

(12) **United States Design Patent**
Corbin et al.

(10) **Patent No.:** **US D677,633 S**
(45) **Date of Patent:** **** Mar. 12, 2013**

(54) **COMPONENT OF AN ELECTRONIC DEVICE**

(75) Inventors: **Sean Stewart Corbin**, San Jose, CA (US); **Jules Bogaard Henry**, Palo Alto, CA (US); **Stephen McClure**, San Francisco, CA (US); **Alex Chun Lap Yeung**, South San Francisco, CA (US)

(73) Assignee: **Apple Inc.**, Cupertino, CA (US)

(**) Term: **14 Years**

(21) Appl. No.: **29/385,794**

(22) Filed: **Feb. 18, 2011**

(51) **LOC (9) Cl.** **13-03**

(52) **U.S. Cl.** **D13/147**

(58) **Field of Classification Search** D13/133,
D13/146, 147, 154, 184, 199; D14/217,
D14/238.1, 256, 257, 299, 432-434, 438-439,
D14/447-448, 450-452; 439/180, 246, 278,
439/352, 354, 357, 374, 381, 476.1, 489,
439/527, 529, 533, 892, 89, 4

See application file for complete search history.

(56) **References Cited**

U.S. PATENT DOCUMENTS

D526,777 S 8/2006 Andre et al.
D597,488 S * 8/2009 Kikuchi et al. D13/147

D608,291 S * 1/2010 Ikari D13/147
D609,187 S * 2/2010 Hamauchi D13/147
D624,506 S * 9/2010 Yotsutani D13/147
D628,375 S 12/2010 Andre et al.
7,980,737 B2 * 7/2011 Hu 362/382

FOREIGN PATENT DOCUMENTS

TW D137590 11/2010

* cited by examiner

Primary Examiner — Daniel Bui

(74) *Attorney, Agent, or Firm* — Sterne, Kessler, Goldstein & Fox, P.L.L.C.

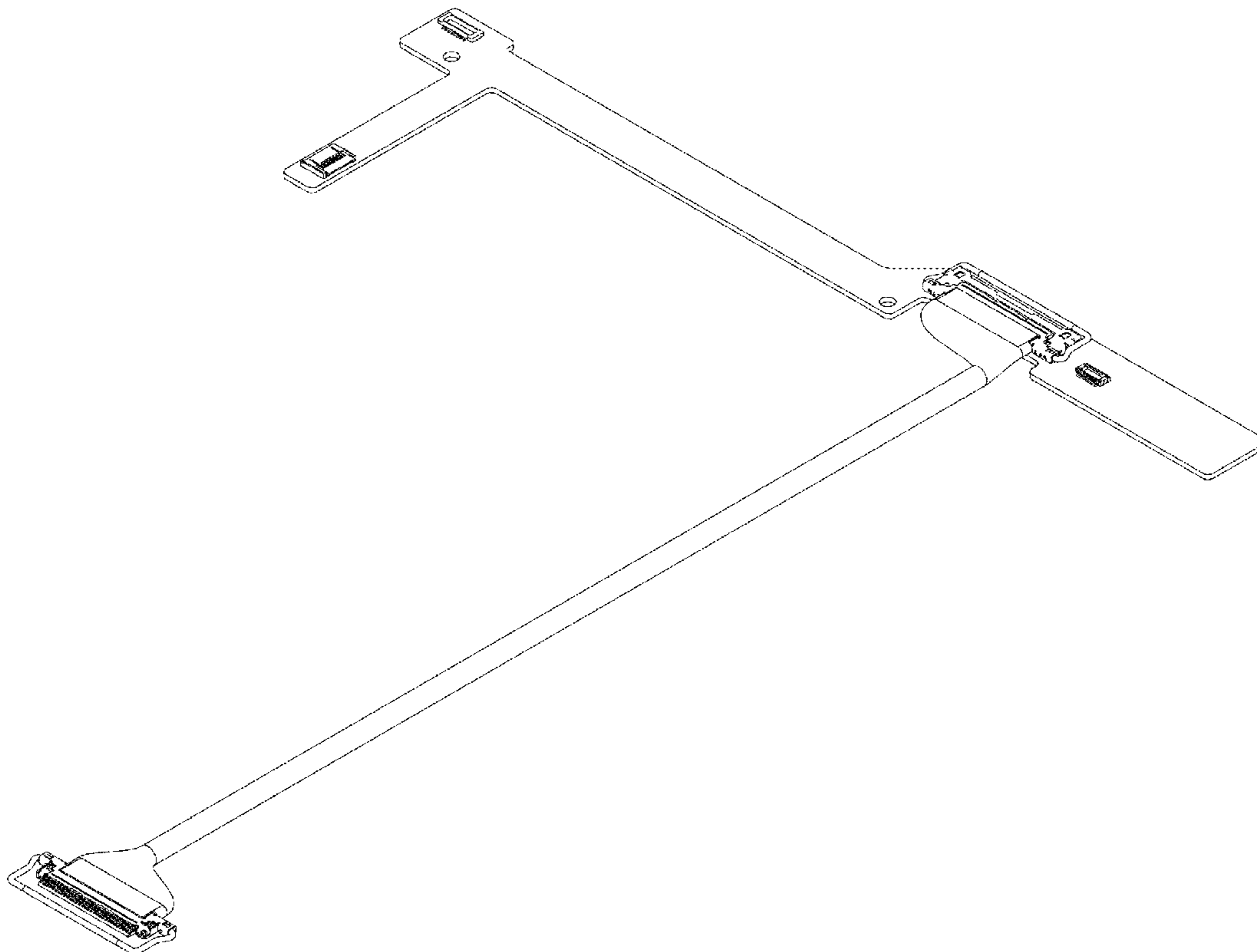
(57) **CLAIM**

The ornamental design for a component of an electronic device, as shown and described.

DESCRIPTION

FIG. 1 is a front perspective view of a component of an electronic device showing our new design;
FIG. 2 is a front view thereof;
FIG. 3 is a rear view thereof;
FIG. 4 is a left side view thereof;
FIG. 5 is right side view thereof;
FIG. 6 is top view thereof; and,
FIG. 7 is bottom view thereof.

1 Claim, 5 Drawing Sheets



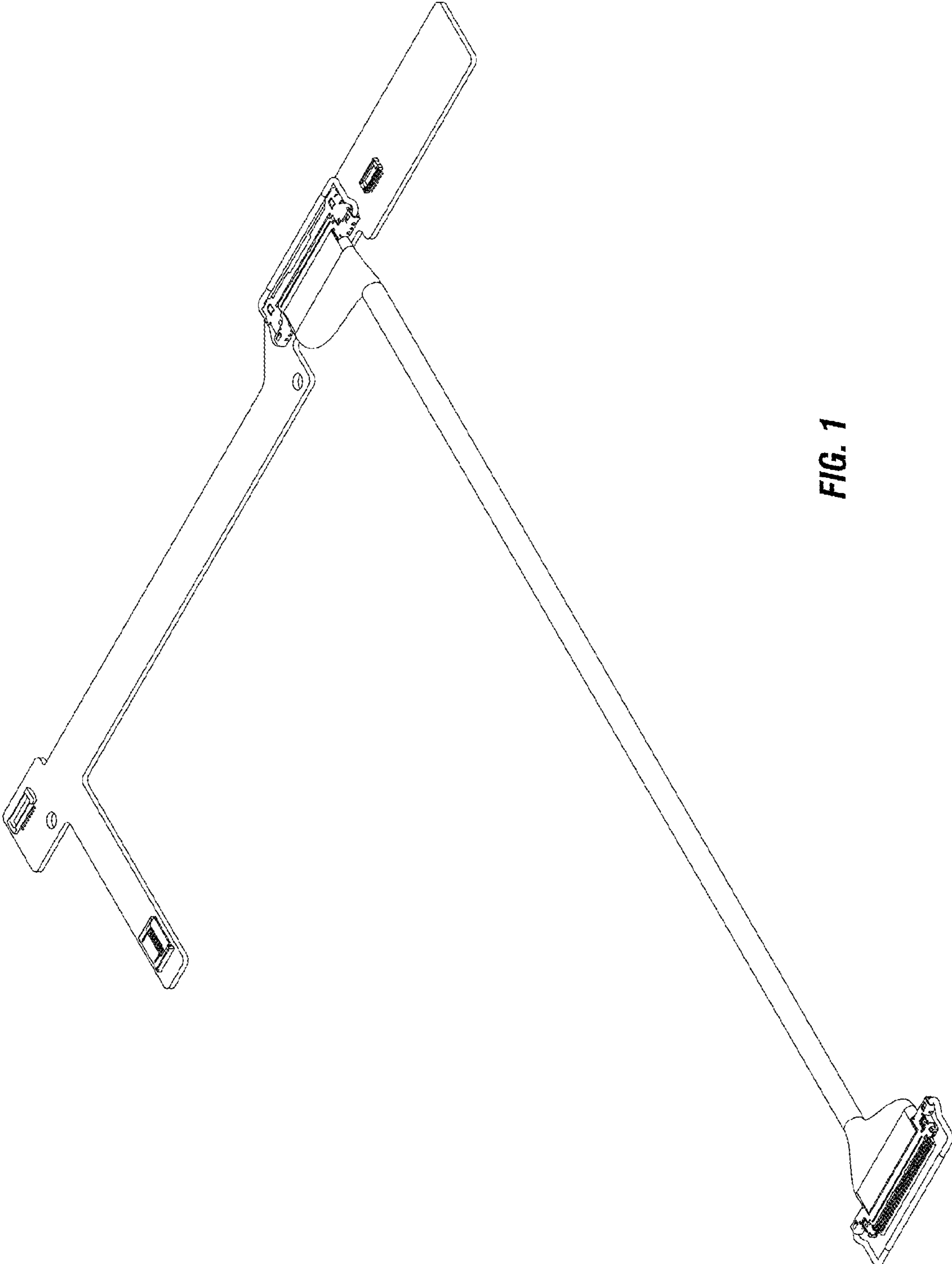


FIG. 1

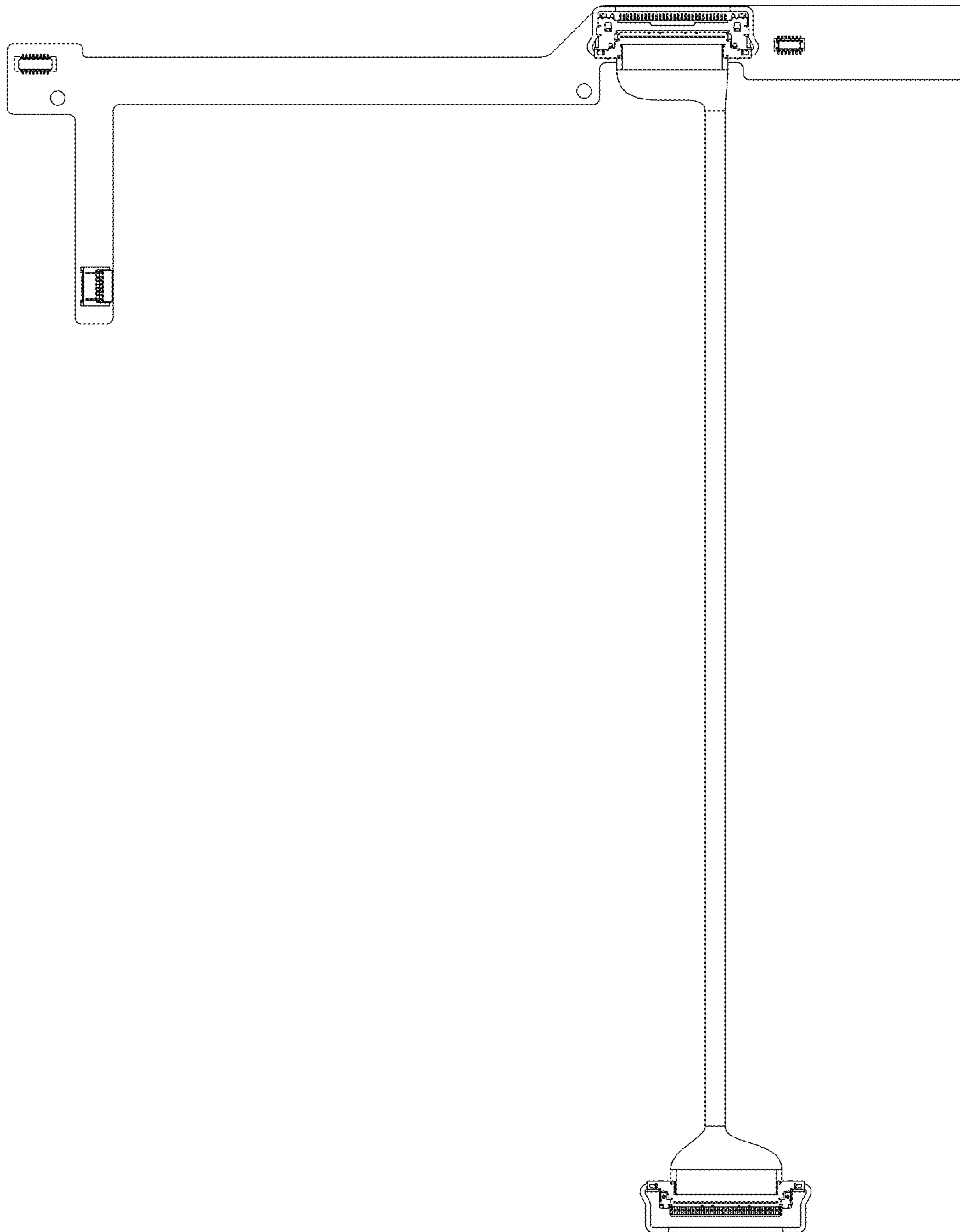


FIG. 2

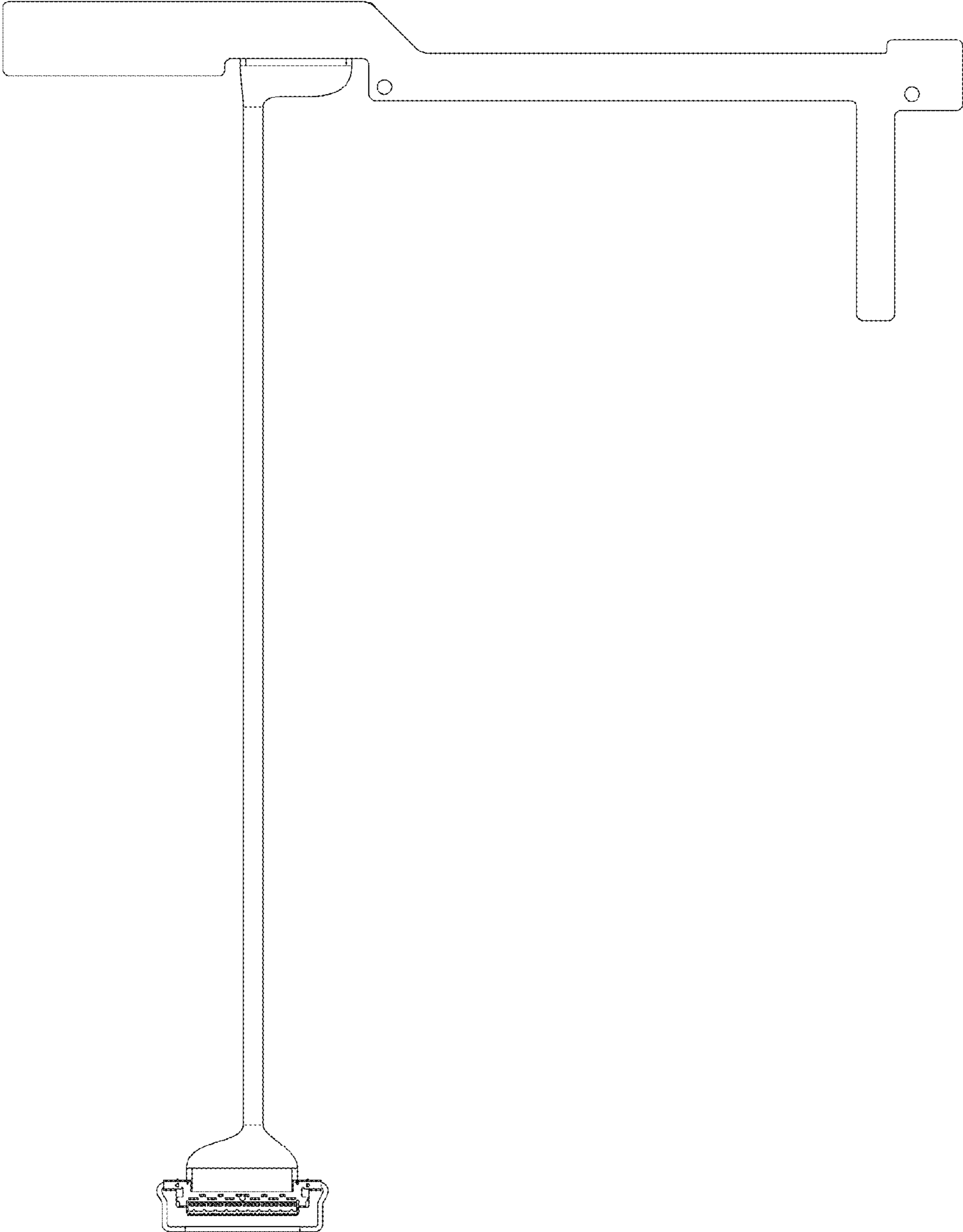


FIG. 3

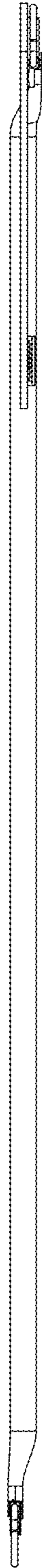


FIG. 4

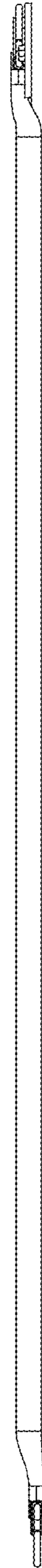


FIG. 5

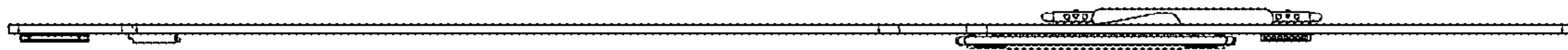


FIG. 6

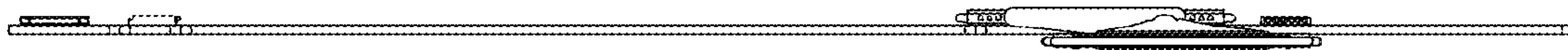


FIG. 7