



US00D677631S

(12) **United States Design Patent**
McSweyn

(10) **Patent No.:** **US D677,631 S**

(45) **Date of Patent:** **** Mar. 12, 2013**

(54) **USB HOUSING FOR CAR CHARGER**

(75) Inventor: **Christopher McSweyn**, Oxnard, CA
(US)

(73) Assignee: **Scosche Industries, Inc.**, Oxnard, CA
(US)

(**) Term: **14 Years**

(21) Appl. No.: **29/427,670**

(22) Filed: **Jul. 20, 2012**

(51) **LOC (9) Cl.** **13-03**

(52) **U.S. Cl.** **D13/144**

(58) **Field of Classification Search** D13/144,
D13/107, 108, 110, 118, 119, 120, 133, 154,
D13/184, 199; D14/155, 217, 433; 320/65,
320/107, 108, 109; 363/13, 146; 439/300,
439/620, 638, 668, 669, 675, 825

See application file for complete search history.

(56) **References Cited**

U.S. PATENT DOCUMENTS

D398,287 S * 9/1998 Luminosu D13/144
D400,177 S * 10/1998 Jones D13/144
D403,663 S * 1/1999 Jones et al. D13/144

D418,213 S * 12/1999 Colandro D23/366
D494,542 S * 8/2004 Hriscu et al. D13/110
D506,455 S * 6/2005 Bey et al. D14/155
D620,441 S * 7/2010 Hou D13/144
D628,152 S * 11/2010 Fujii et al. D13/108
D654,873 S * 2/2012 Au D13/144

* cited by examiner

Primary Examiner — Derrick Holland

(74) *Attorney, Agent, or Firm* — Arent Fox LLP

(57) **CLAIM**

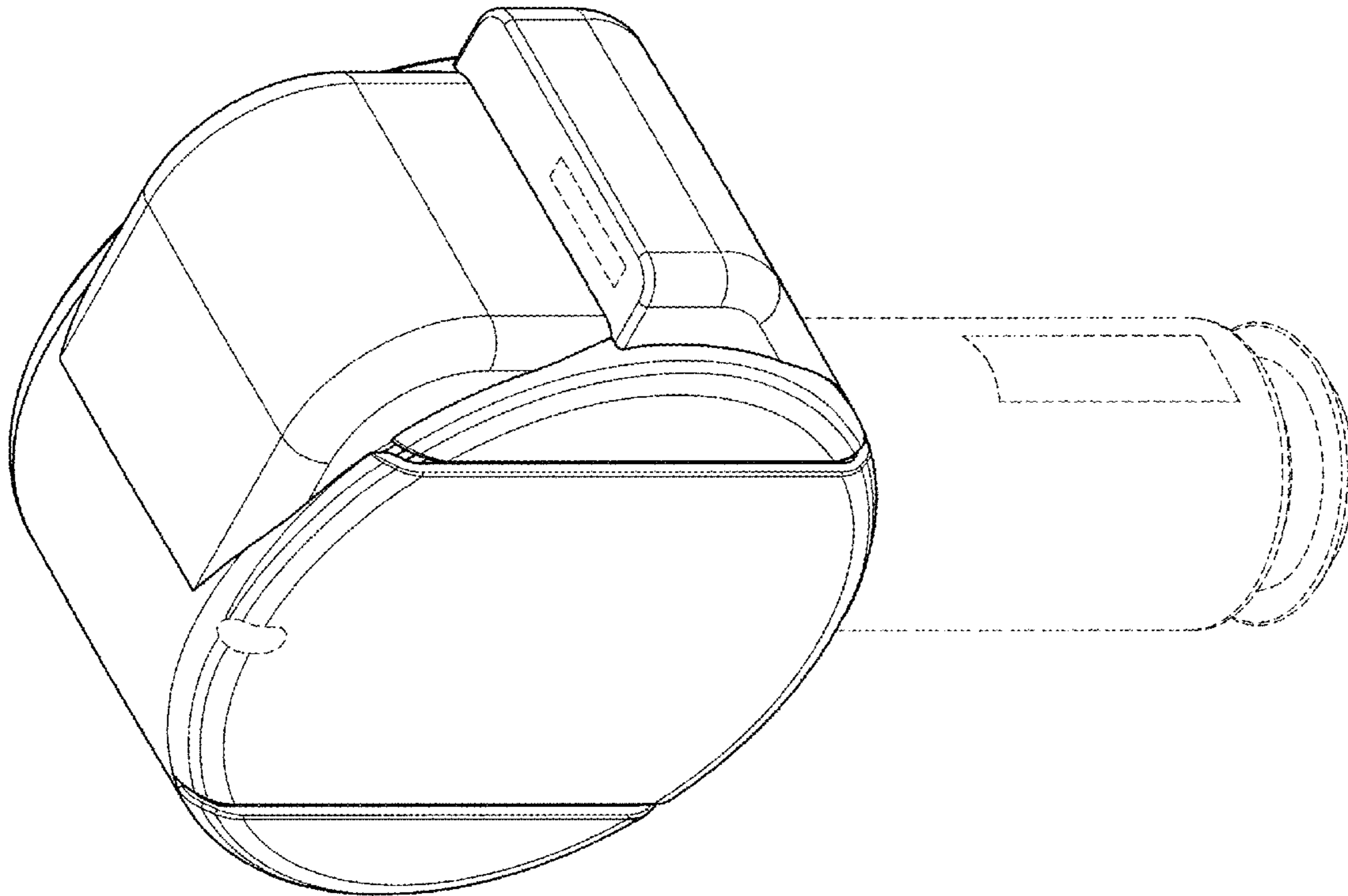
The ornamental design for a USB housing for car charger, as shown and described.

DESCRIPTION

FIG. 1 is a top and first side perspective view of a USB housing for car charger showing my new design;
FIG. 2 is a bottom and first side perspective view thereof;
FIG. 3 is a first side view thereof;
FIG. 4 is a front view thereof;
FIG. 5 is a back view thereof;
FIG. 6 is a top view thereof; and,
FIG. 7 is a bottom view thereof.

The broken lines shown represent unclaimed subject matter and form no part of the claimed design.

1 Claim, 6 Drawing Sheets



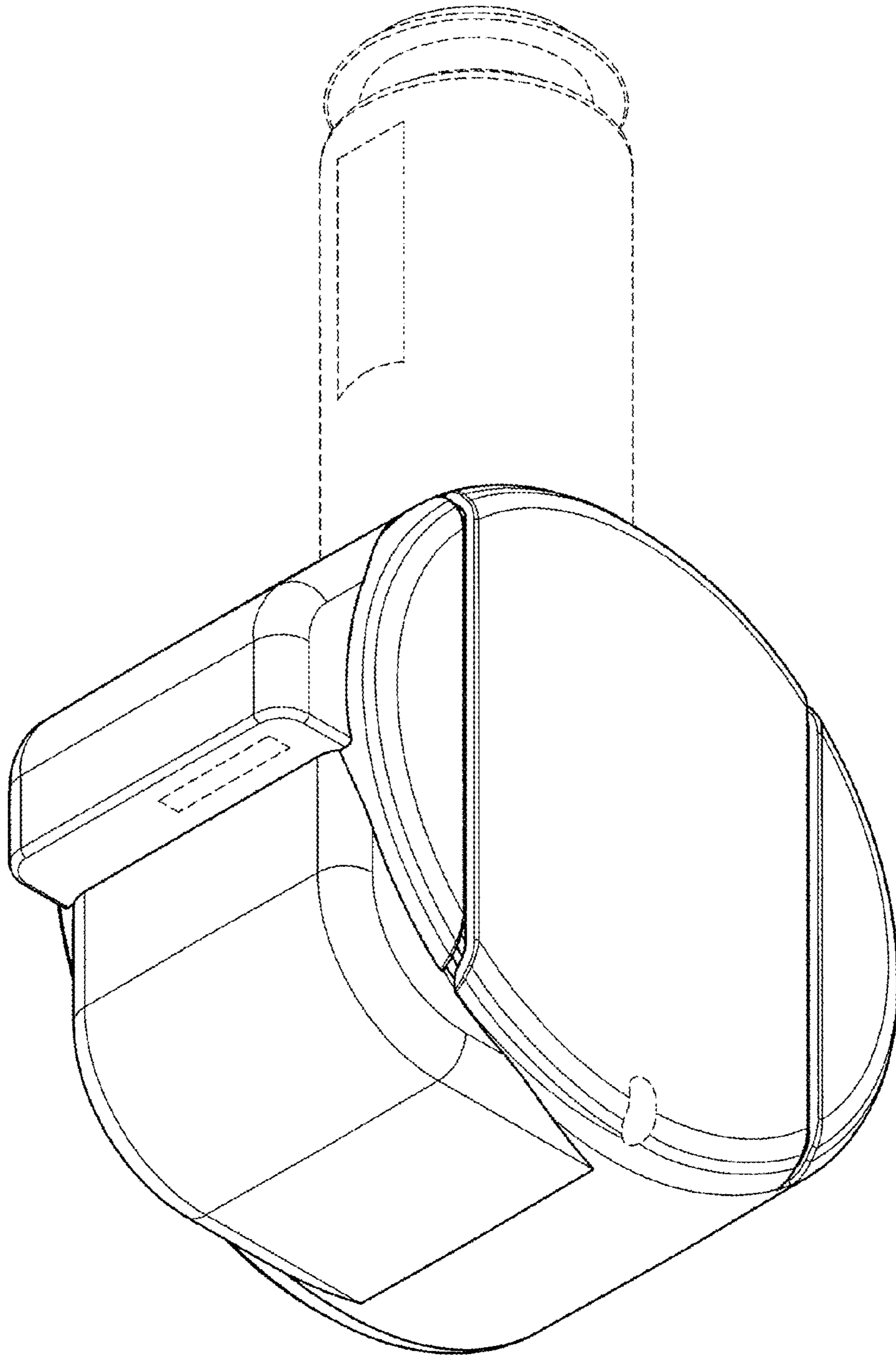


FIG. 1

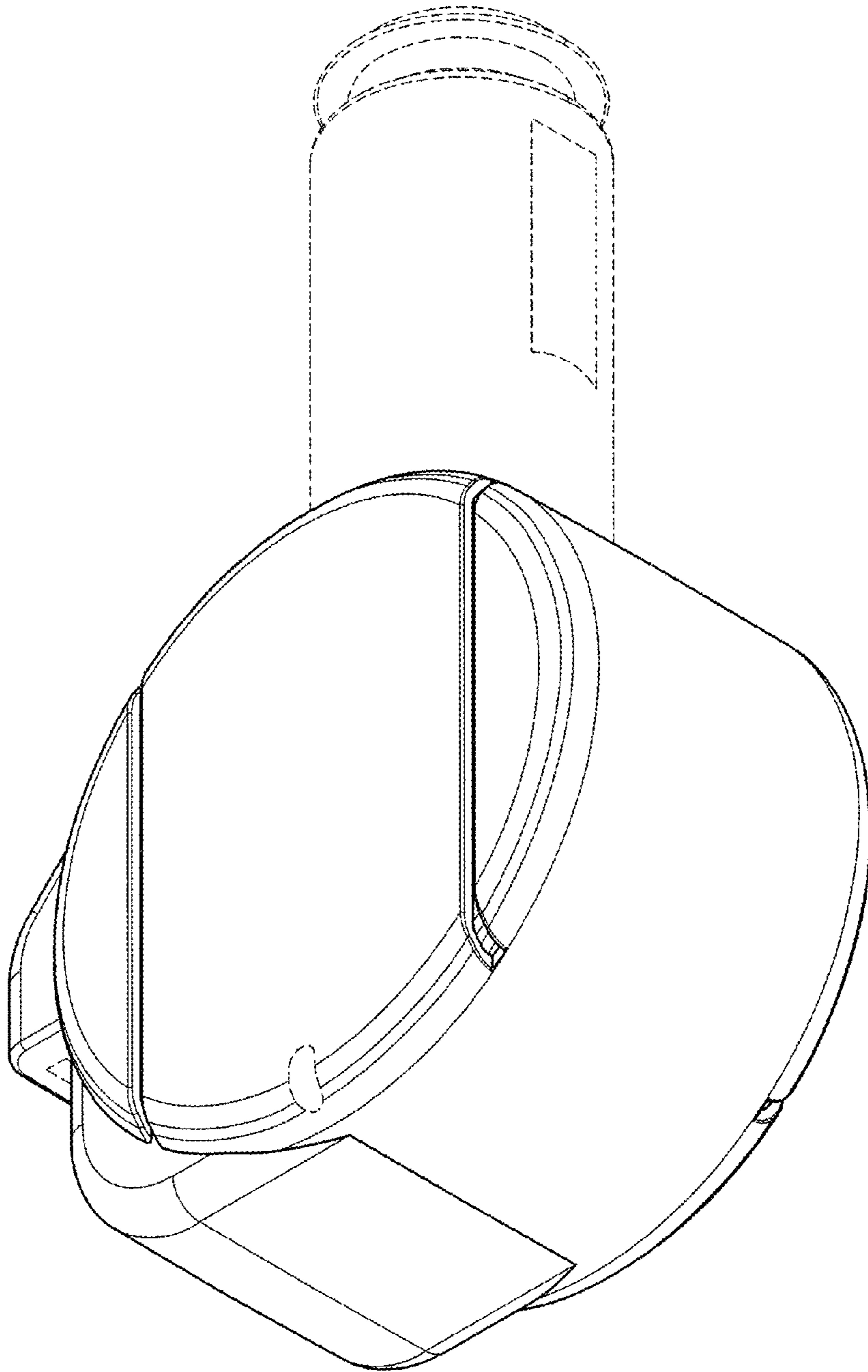


FIG. 2

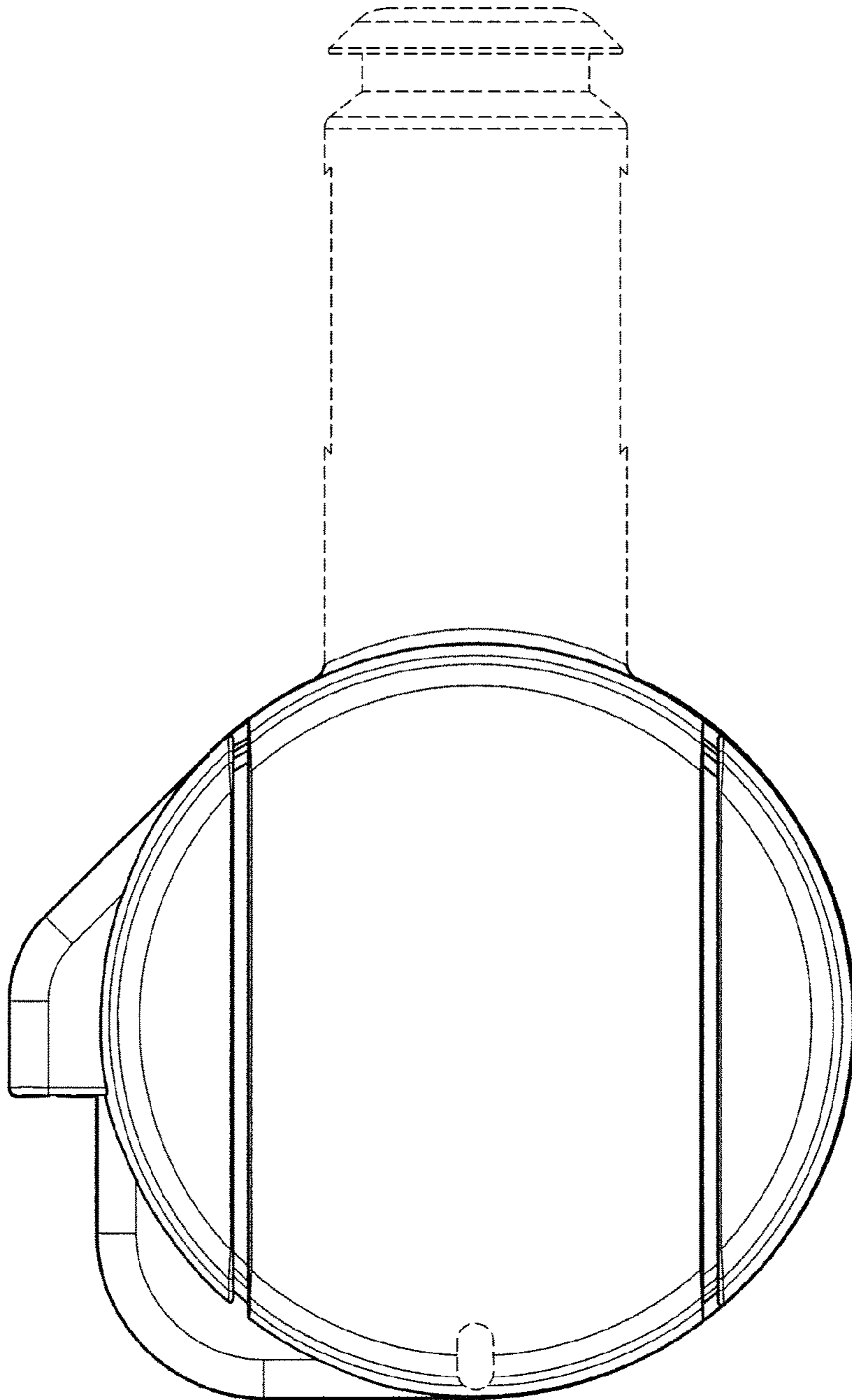


FIG. 3

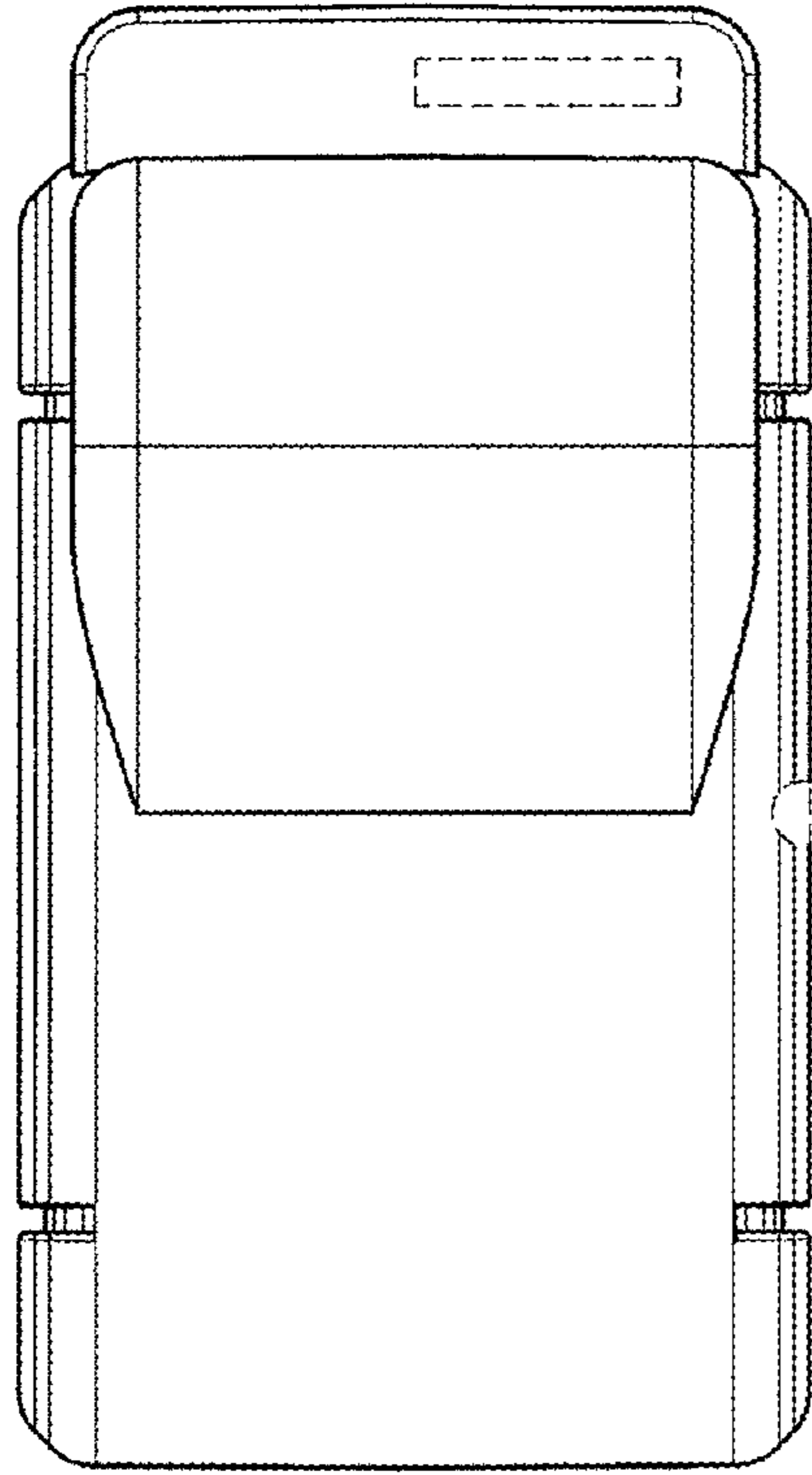


FIG. 4

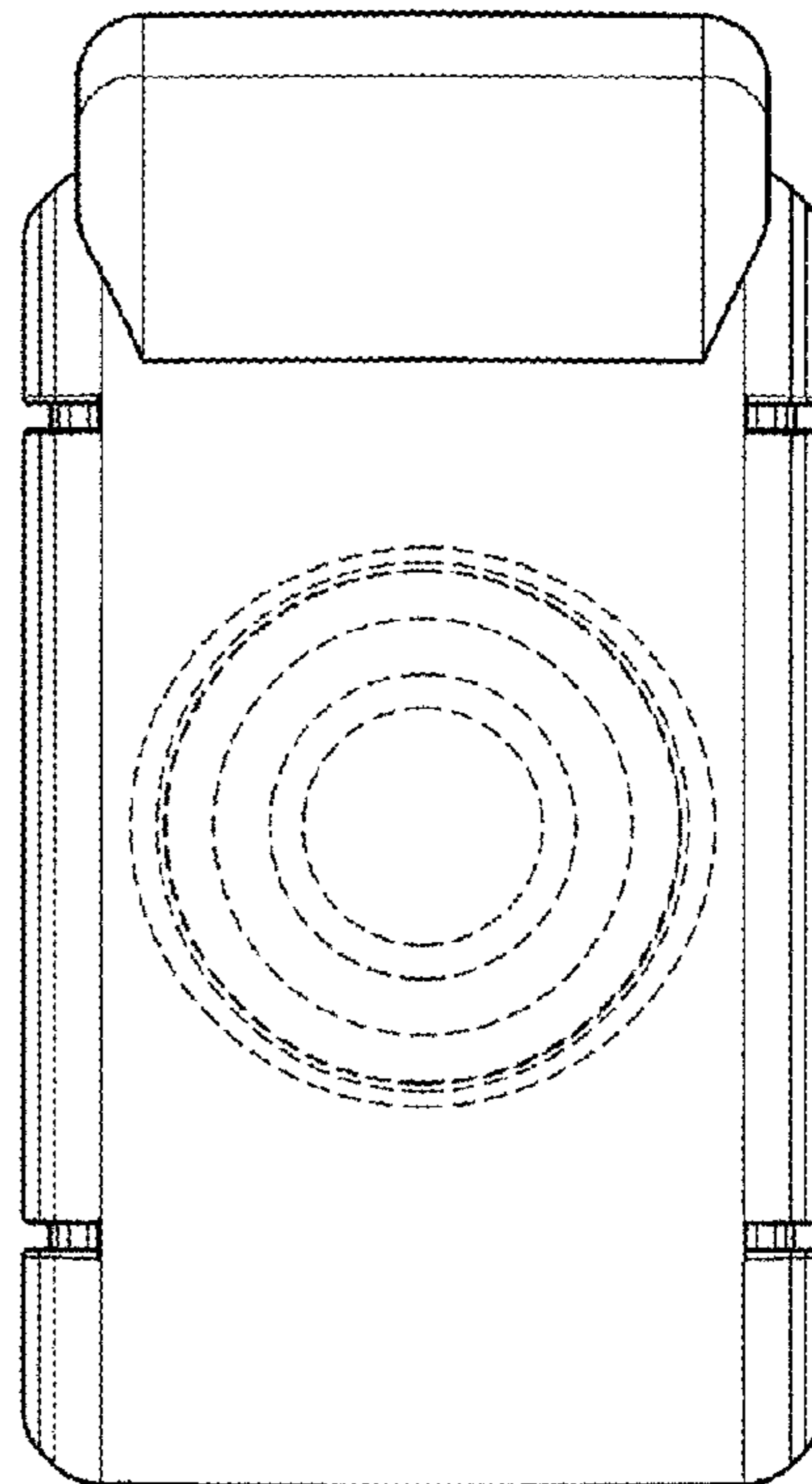


FIG. 5

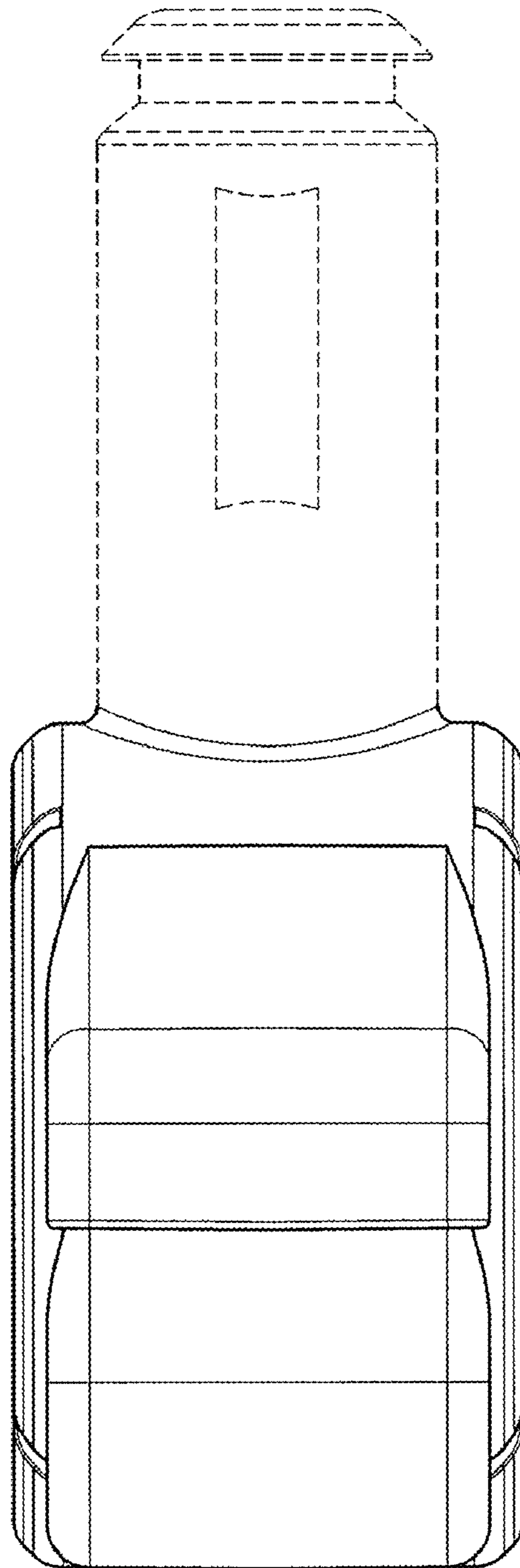


FIG. 6

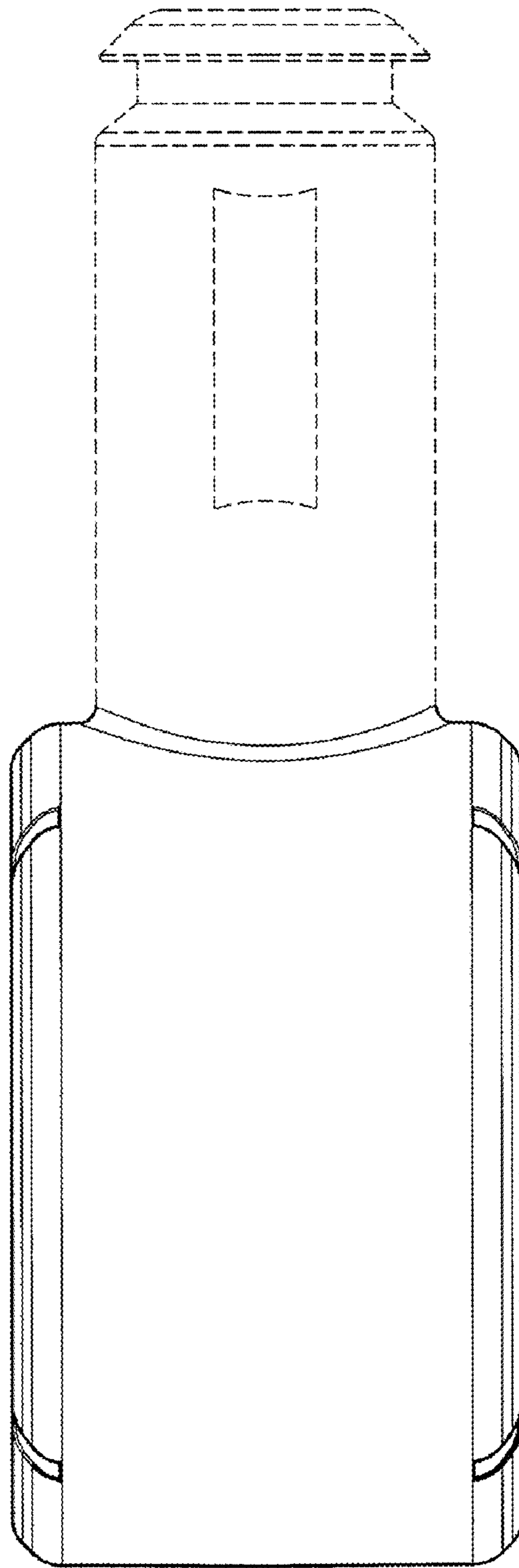


FIG. 7