



US00D677629S

(12) **United States Design Patent**
Corona

(10) **Patent No.:** **US D677,629 S**
(45) **Date of Patent:** **** Mar. 12, 2013**

- (54) **ELECTRICAL CONNECTOR**
- (75) Inventor: **Sergio Corona**, Upland, CA (US)
- (73) Assignee: **DSM&T Company, Inc.**, Fontana, CA (US)
- (**) Term: **14 Years**
- (21) Appl. No.: **29/411,239**
- (22) Filed: **Jan. 18, 2012**
- (51) **LOC (9) Cl.** **13-03**
- (52) **U.S. Cl.** **D13/133**
- (58) **Field of Classification Search** D13/133,
D13/149, 151, 153, 154, 156, 199; 439/79,
439/248, 258, 274, 35, 352, 353, 358, 359,
439/362, 378, 445, 447, 578, 584, 585, 656,
439/66, 676, 677, 678, 679, 68, 681, 682,
439/686

See application file for complete search history.

(56) **References Cited**

U.S. PATENT DOCUMENTS

D286,397	S	*	10/1986	Challans	D13/133
5,401,181	A		3/1995	Wilson		
D360,871	S		8/1995	Wilson		
D360,872	S		8/1995	Wilson		
D416,230	S	*	11/1999	Narumo et al.	D13/147
D437,828	S		2/2001	Corona		
D439,221	S		3/2001	Corona		
D445,763	S		7/2001	Corona		
D446,186	S		8/2001	Corona		
6,379,169	B1		4/2002	Corona		
6,383,003	B1		5/2002	Corona		

D524,736	S	*	7/2006	Morita et al.	D13/133
D555,594	S	*	11/2007	So	D13/133
D571,727	S	*	6/2008	Yang et al.	D13/133
7,390,210	B2		6/2008	Corona		
D573,536	S	*	7/2008	Hariharesan et al.	D13/133
D586,750	S	*	2/2009	Li	D13/133
D596,125	S	*	7/2009	Norin et al.	D13/133
D613,246	S	*	4/2010	Muecke et al.	D13/133
7,785,123	B2		8/2010	Corona		
RE42,230	E	*	3/2011	Norin et al.	D13/133
D639,243	S	*	6/2011	Gharib et al.	D13/133
D639,250	S	*	6/2011	Svelnis et al.	D13/154
D651,171	S	*	12/2011	Yamauchi et al.	D13/133
D651,172	S	*	12/2011	Yamauchi et al.	D13/133

* cited by examiner

Primary Examiner — Thomas Johannes

(74) *Attorney, Agent, or Firm* — Keusey & Associates, P.C.

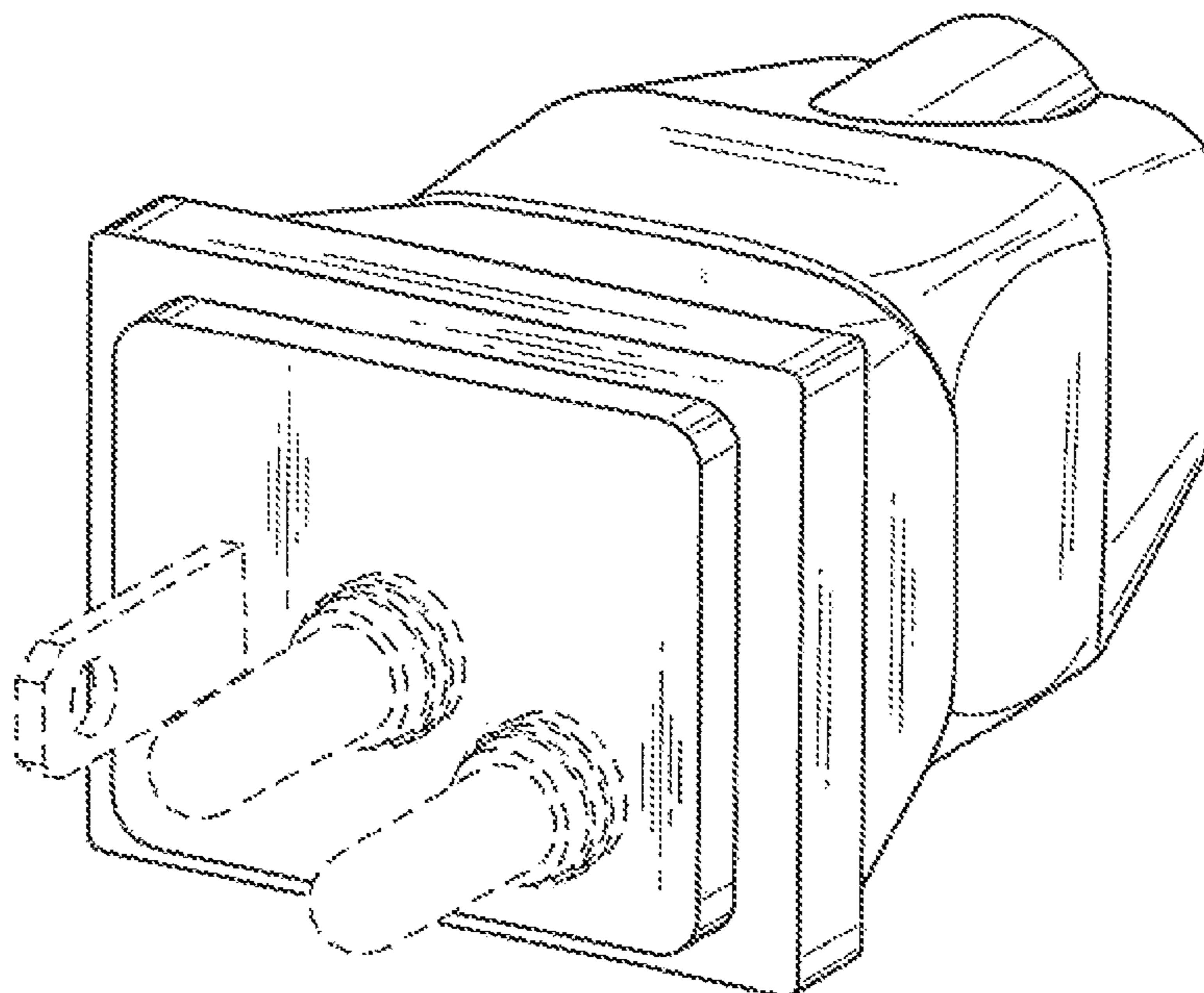
(57) **CLAIM**

I claim the ornamental design for an electrical connector, shown and described.

DESCRIPTION

FIG. 1 is a, front, top, right side perspective view of my new design for an electrical connector;
 FIG. 2 is a right side elevation view thereof;
 FIG. 3 is a left side elevation view thereof;
 FIG. 4 is a top plan view thereof, the bottom plan view being a mirror image thereof;
 FIG. 5 is a front side elevation view thereof; and,
 FIG. 6 is a rear side elevation view thereof.
 The broken lines are included to show unclaimed environmental structure and form no part of the claimed design.

1 Claim, 3 Drawing Sheets



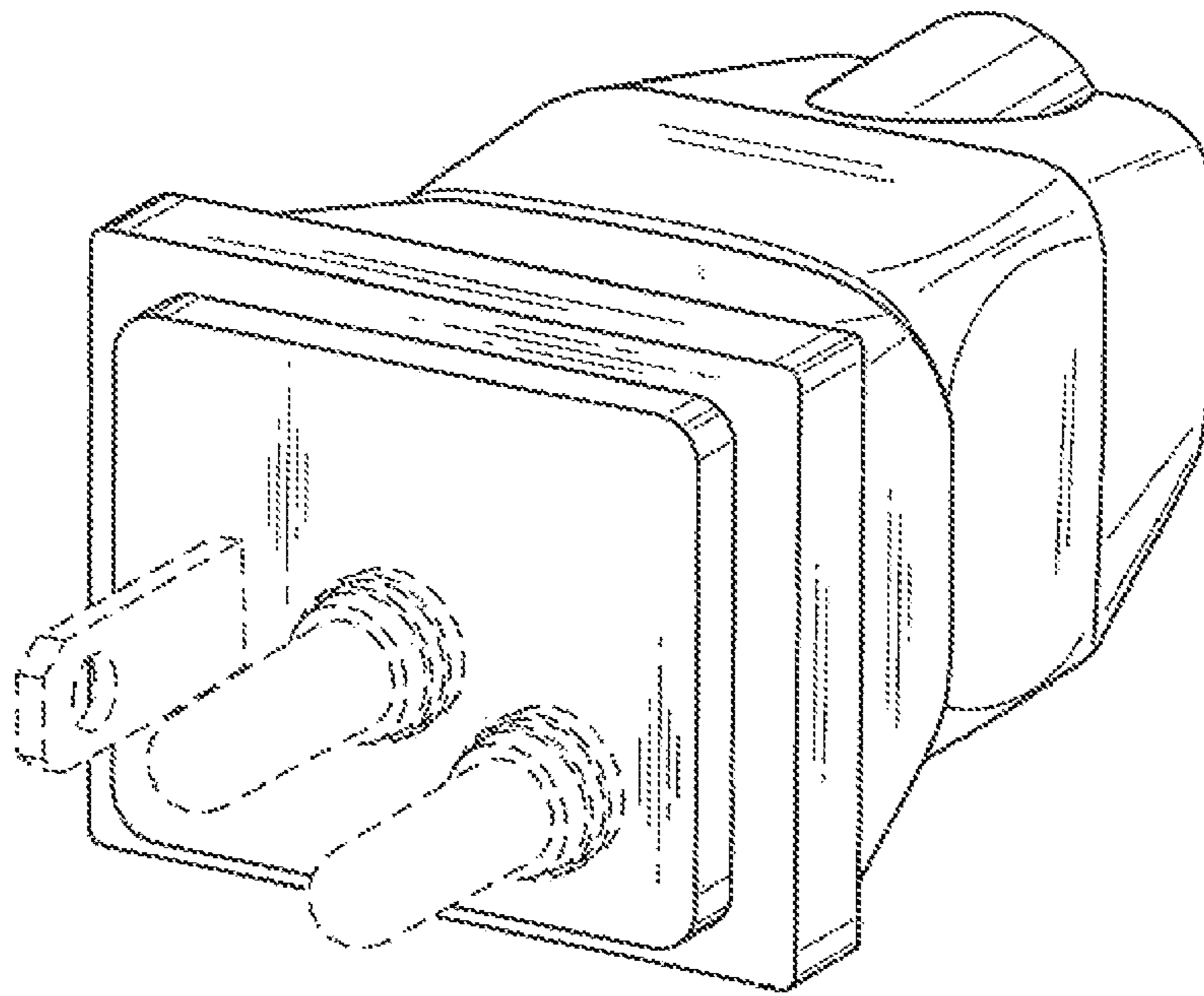


FIG. 1

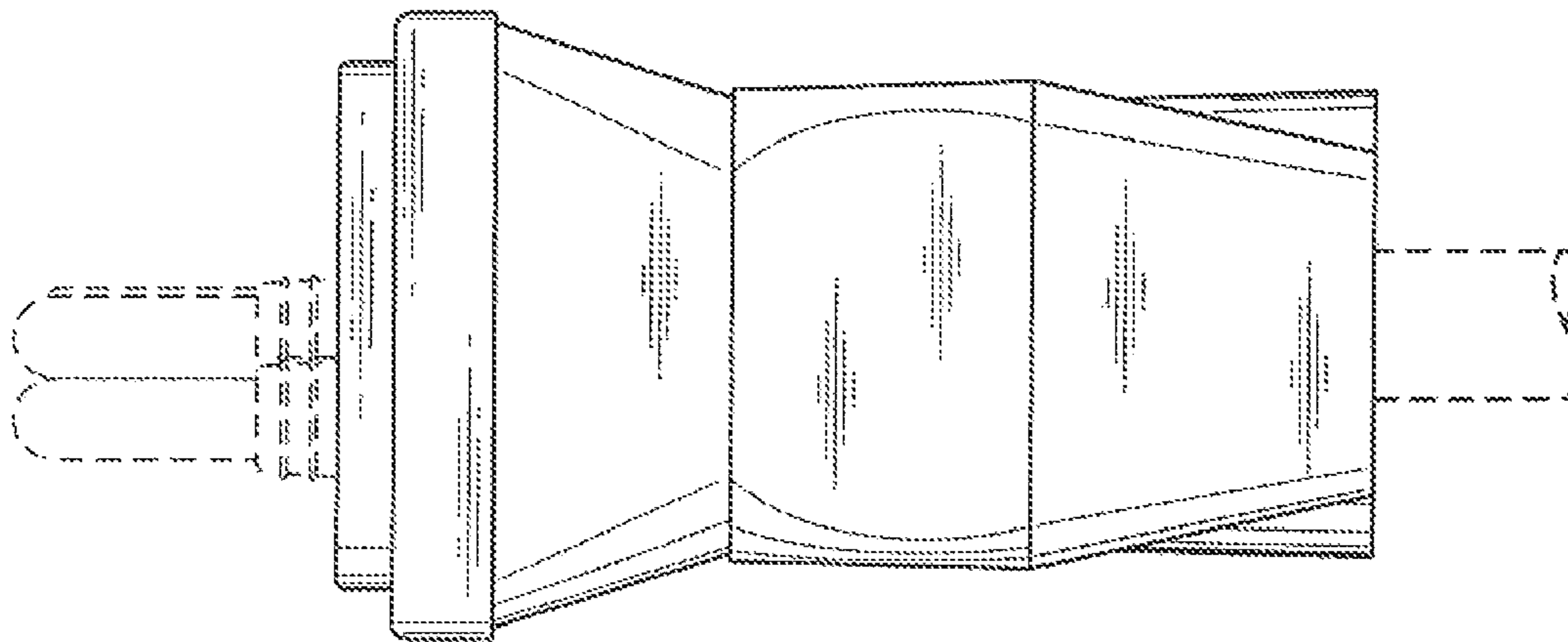


FIG. 2

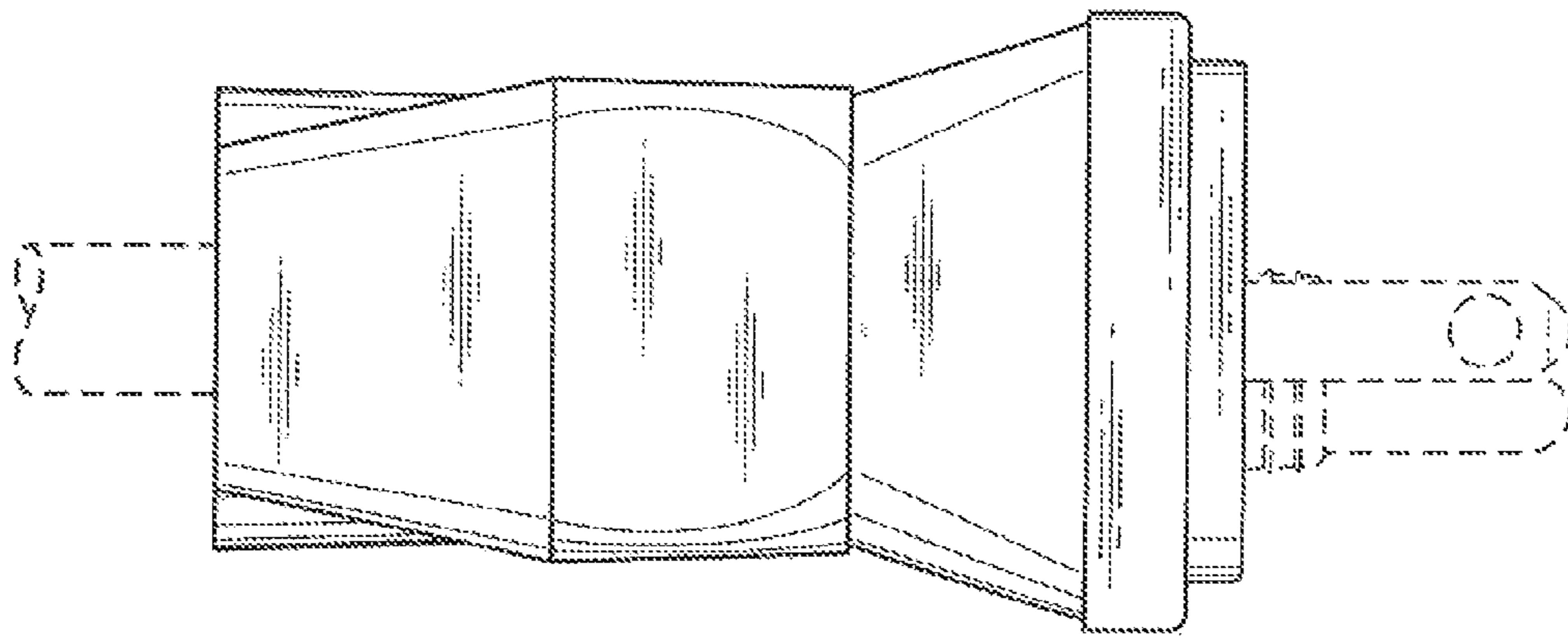


FIG. 3

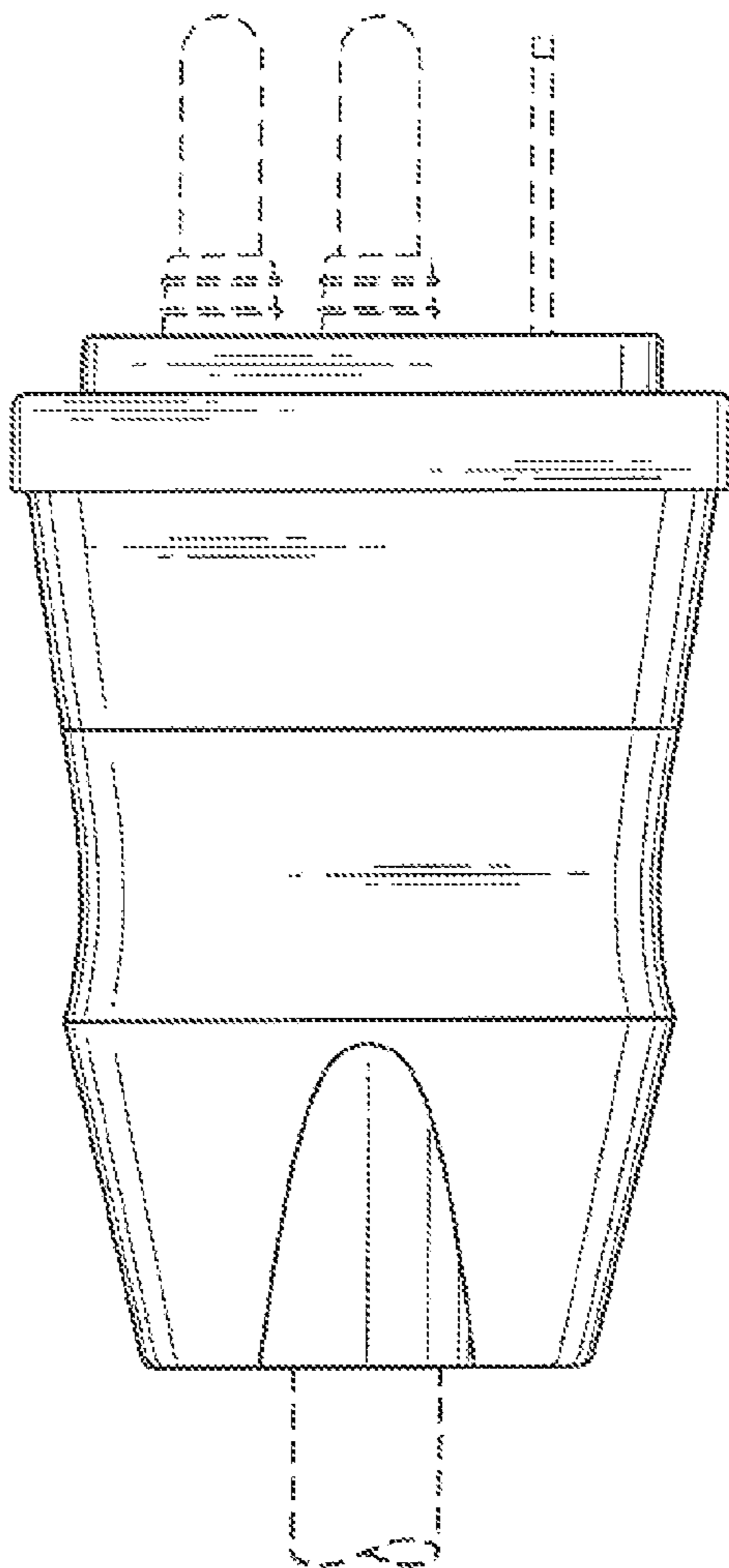


FIG. 4

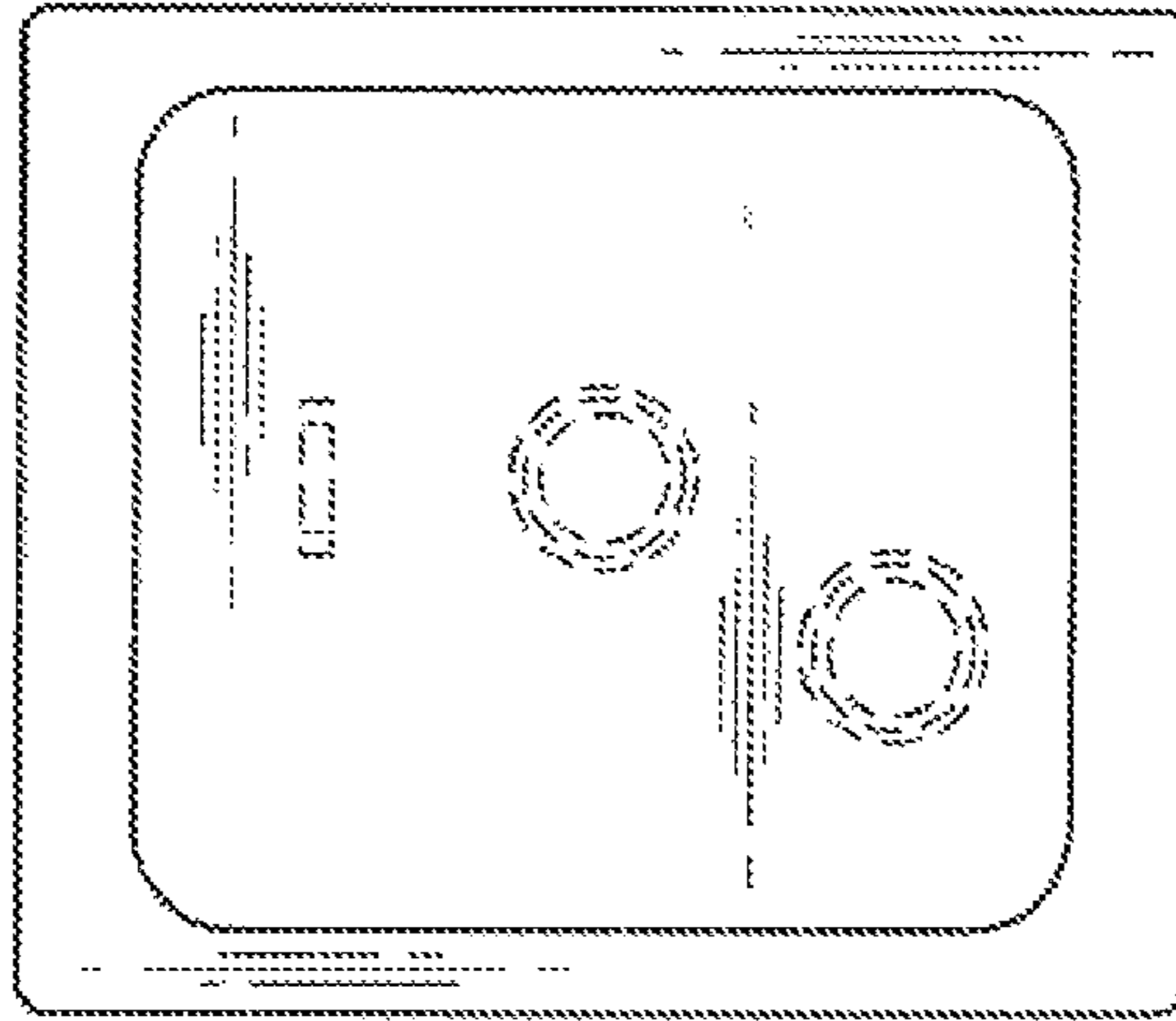


FIG. 5

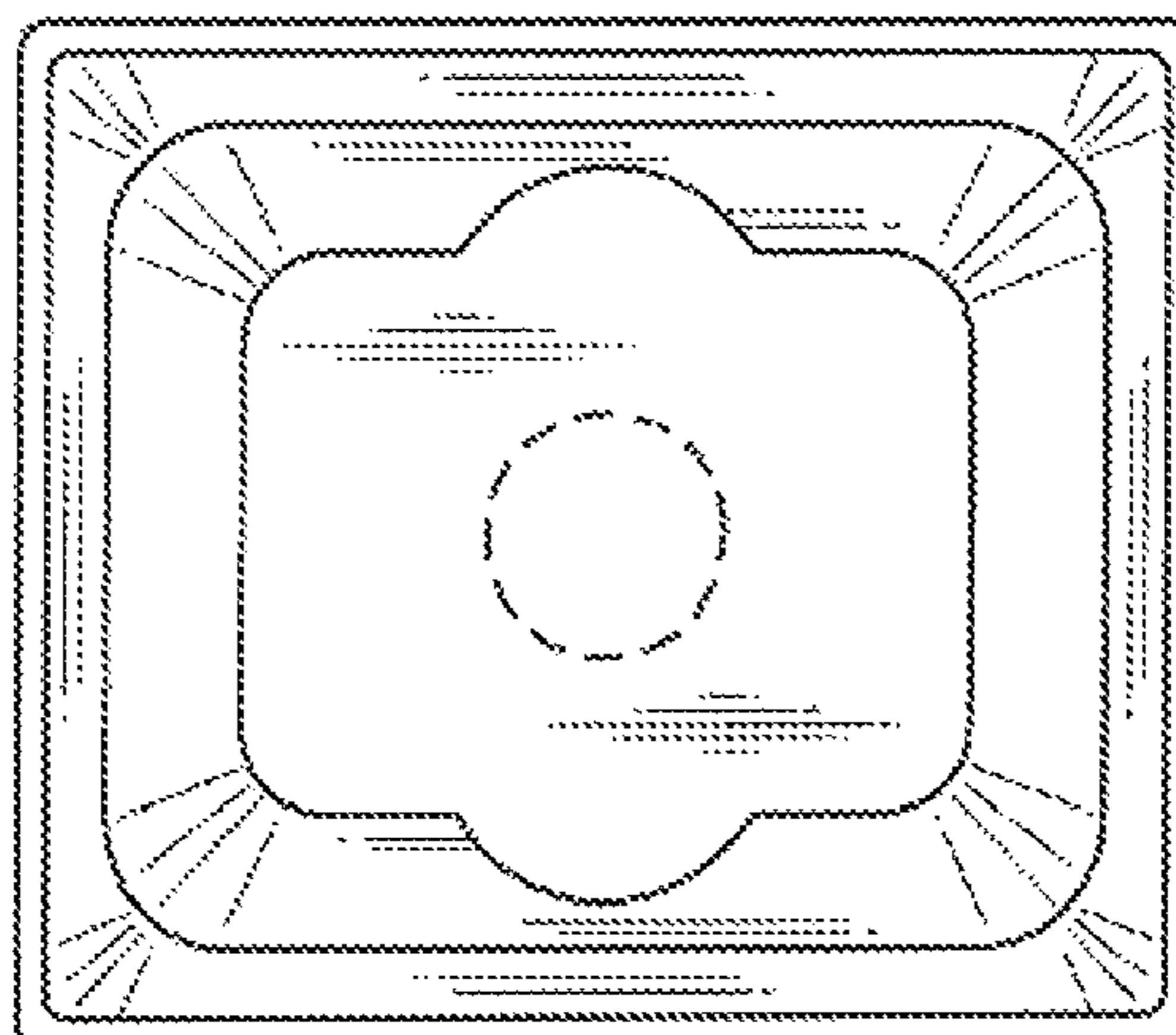


FIG. 6