



US00D677628S

(12) **United States Design Patent**
Fan et al.

(10) **Patent No.:** **US D677,628 S**
(45) **Date of Patent:** **** Mar. 12, 2013**

(54) **CONNECTOR FOR DATA TRANSMISSION
OPTIC FIBER**

D578,068 S * 10/2008 Chen et al. D13/147
D578,069 S * 10/2008 Chen et al. D13/147
D664,097 S * 7/2012 Ting et al. D13/151

(75) Inventors: **Chun Fan**, Zhejiang (CN); **Yi Lu**,
Zhejiang (CN); **Shuya Gu**, Zhejiang
(CN); **Donglou Lin**, Zhejiang (CN);
Junxing Cao, Zhejiang (CN)

* cited by examiner

Primary Examiner — Thomas Johannes
(74) *Attorney, Agent, or Firm* — Pillsbury Winthrop Shaw
Pittman, LLP

(73) Assignee: **Zhejiang Rainbow Fish
Communications Technology Co., Ltd.**,
Zhejiang (CN)

(57) **CLAIM**

What we claim is the ornamental design of a connector for
data transmission optic fiber, as shown and described.

(**) Term: **14 Years**

(21) Appl. No.: **29/387,138**

DESCRIPTION

(22) Filed: **Mar. 9, 2011**

(30) **Foreign Application Priority Data**

Dec. 31, 2010 (CN) 2010 3 0705978

(51) **LOC (9) Cl.** **13-03**

(52) **U.S. Cl.** **D13/133**

(58) **Field of Classification Search** D13/133,
D13/146, 147, 151, 154, 158, 184, 199; D14/125,
D14/217, 230, 239, 299; 174/59; 333/100,
333/101, 206; 439/63, 579, 578, 581, 709
See application file for complete search history.

FIG. 1 is a perspective view of a connector for data transmis-
sion optic fiber showing our new design;
FIG. 2 is a front view thereof, the rear view being a mirror
image thereto;
FIG. 3 is a left side view thereof;
FIG. 4 is a right side view thereof;
FIG. 5 is a top view thereof; and,
FIG. 6 is a bottom view thereof.

The broken line portion of the figure drawings is included to
show unclaimed subject matter only and forms no part of the
claimed design.

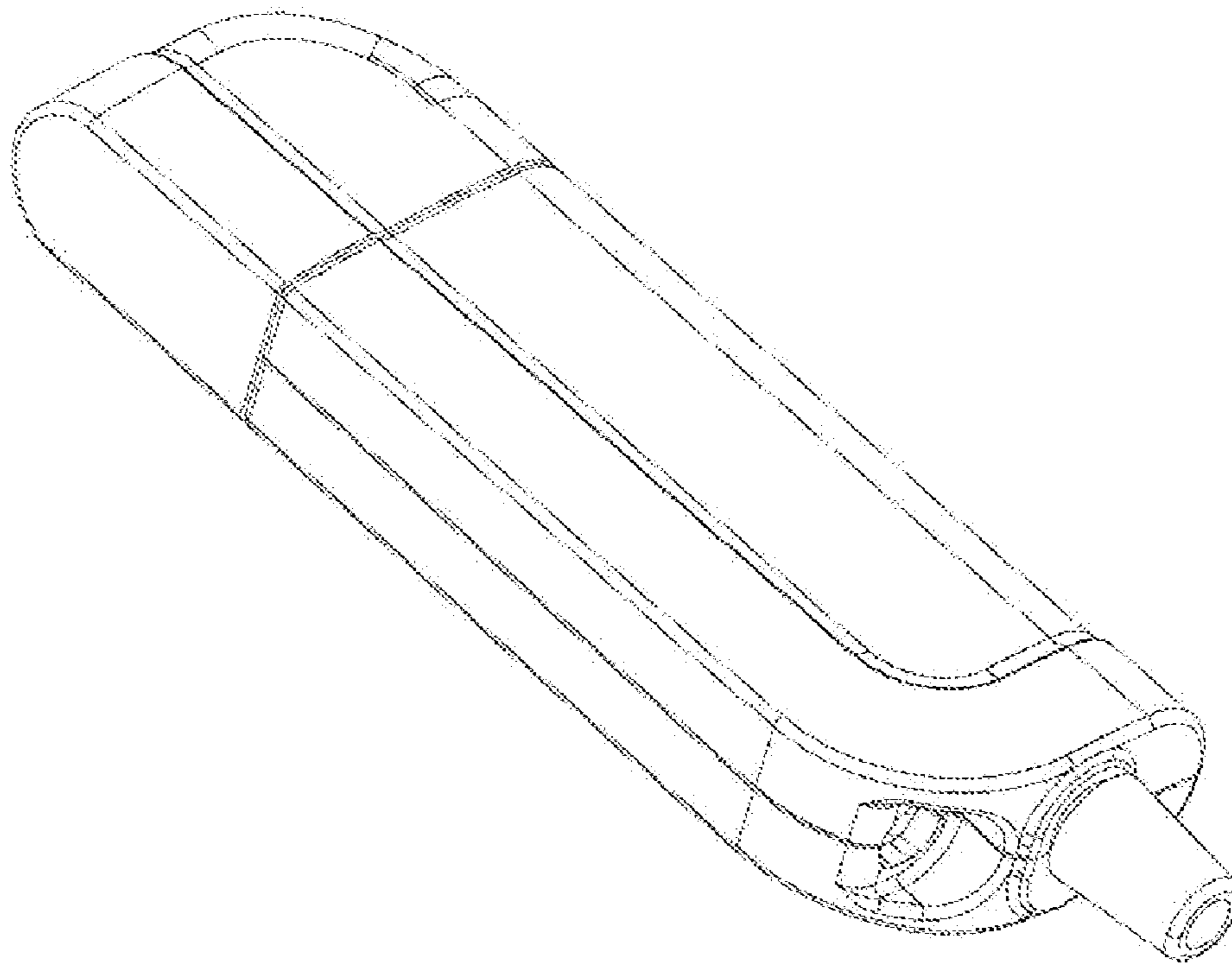
This application is based upon and claims the benefit of
priority under 35 U.S.C. §119 from the prior Chinese Patent
Application No. 201030705978.0, filed, Dec. 31, 2010, the
entire contents of which are incorporated herein by reference
in its entirety.

(56) **References Cited**

U.S. PATENT DOCUMENTS

D569,798 S * 5/2008 Lee D13/123
D578,067 S * 10/2008 Chen et al. D13/147

1 Claim, 2 Drawing Sheets



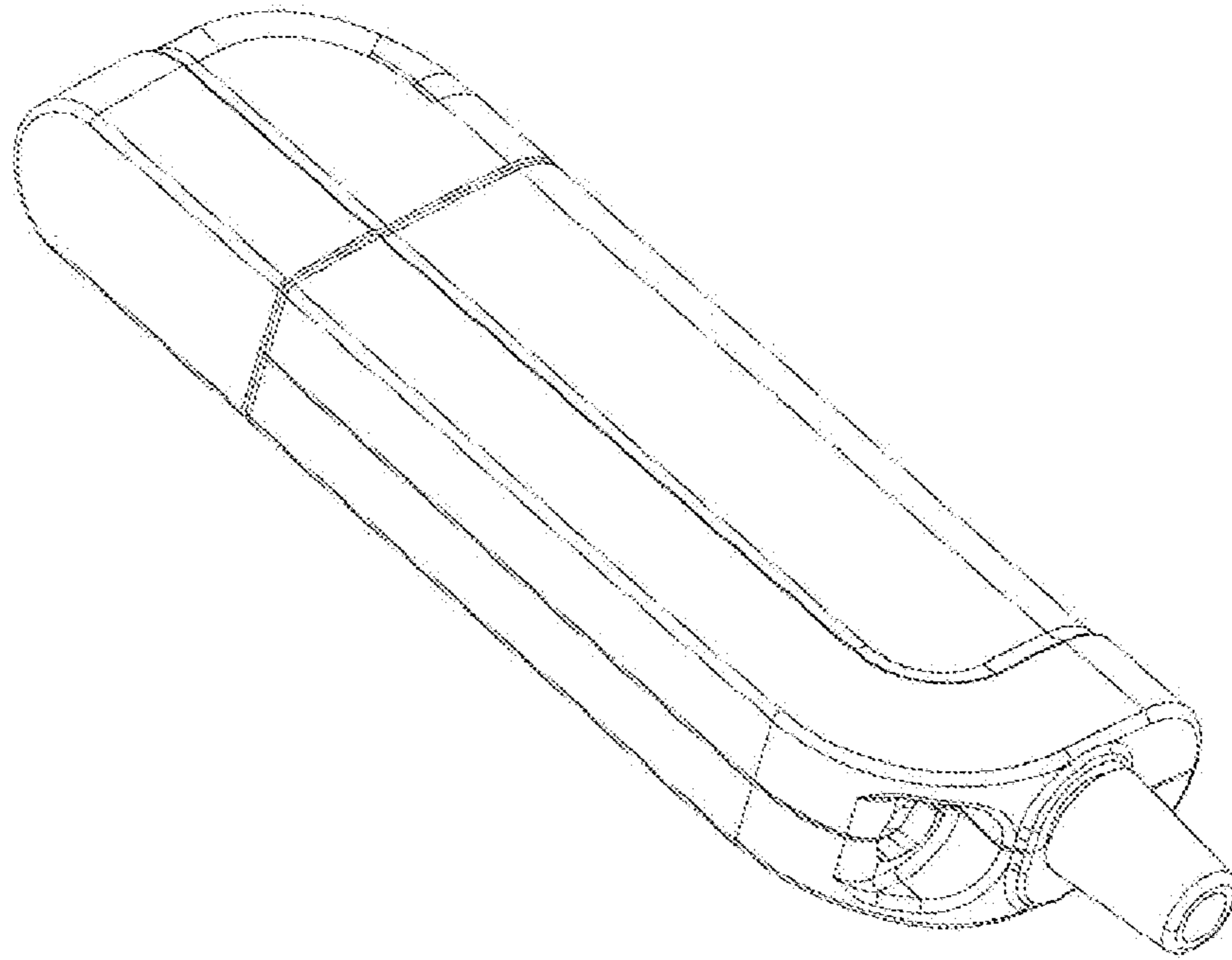


FIG. 1

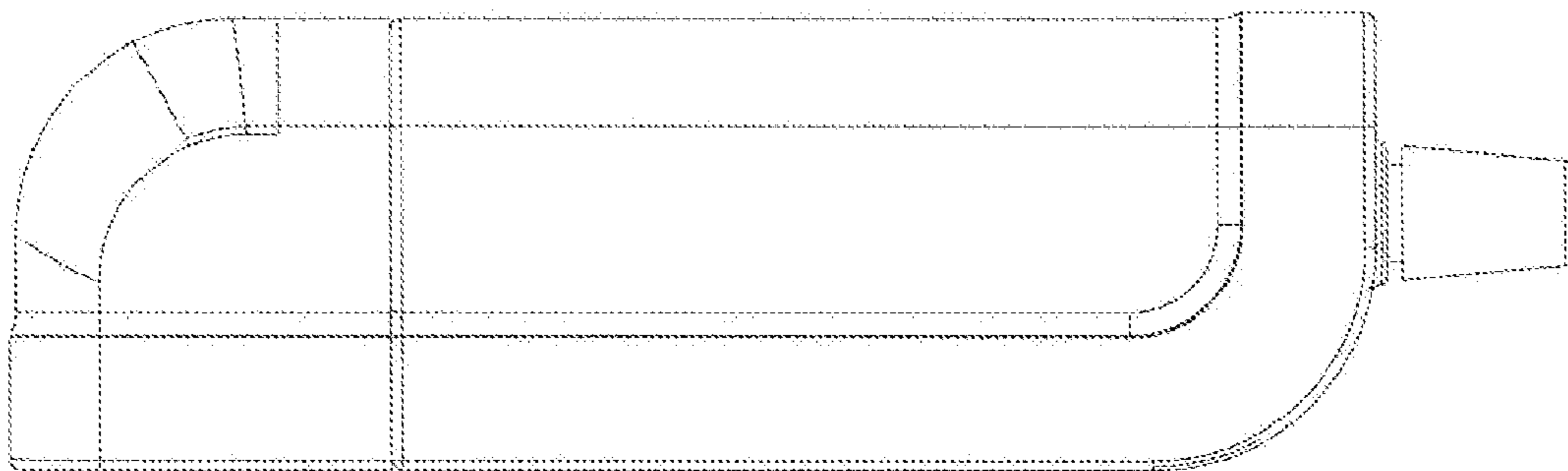


FIG. 2

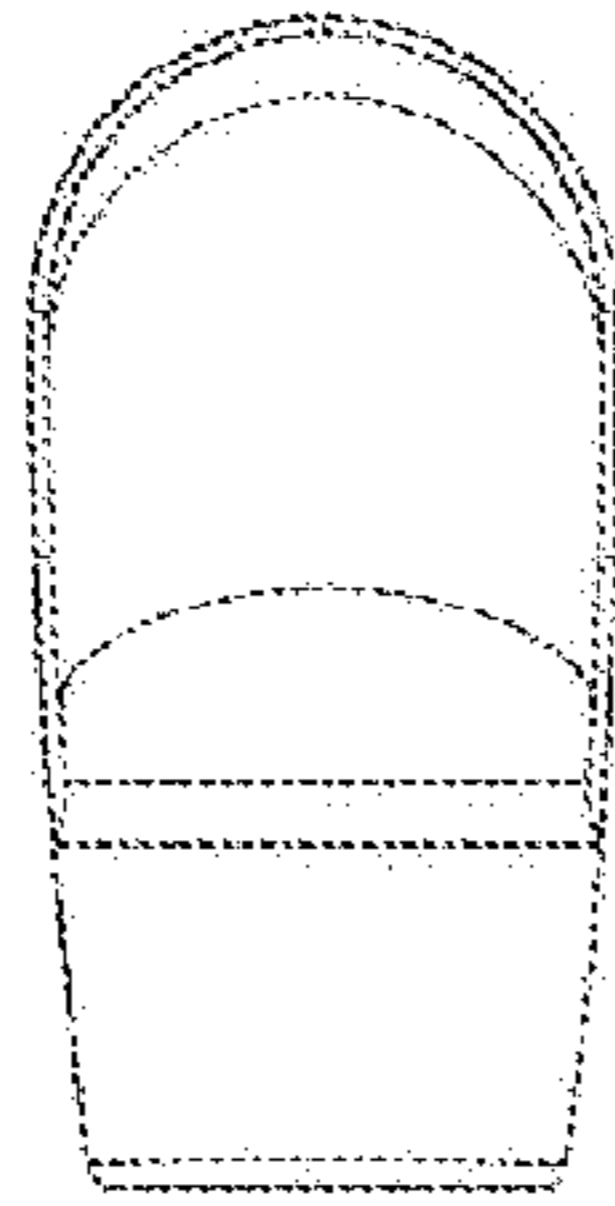


FIG. 3

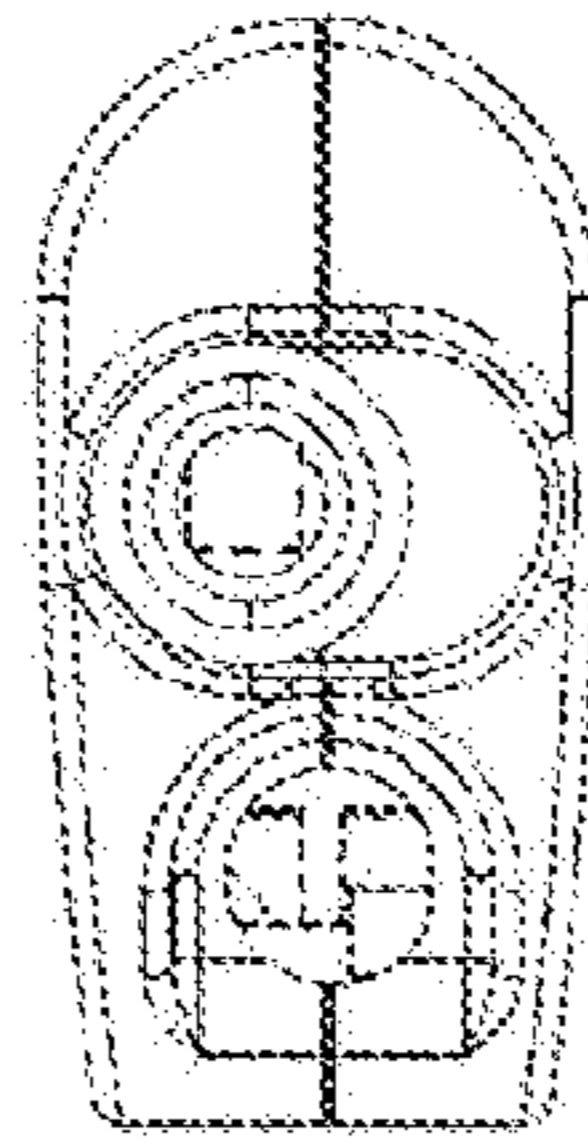


FIG. 4

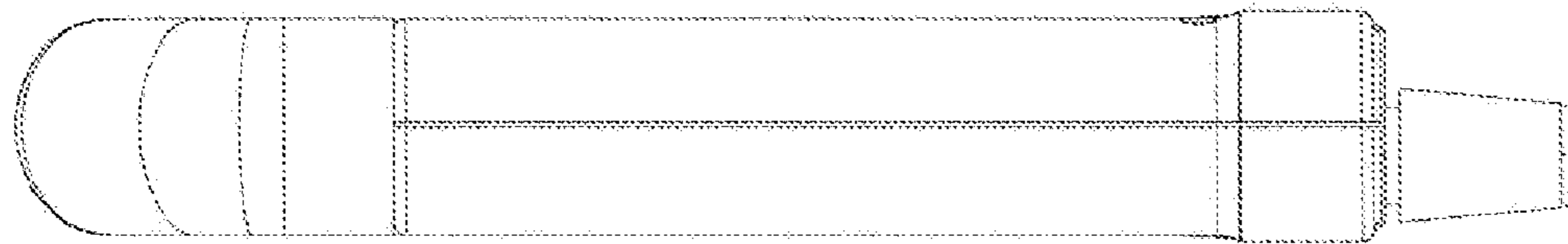


FIG. 5

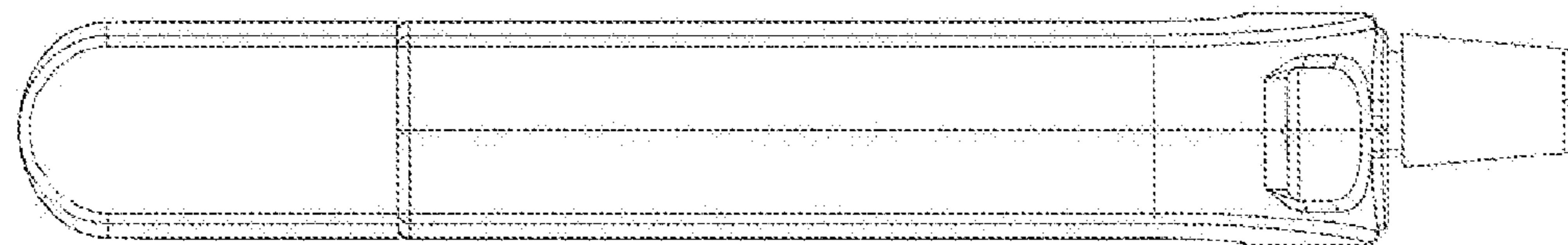


FIG. 6