

US00D677625S

(12) **United States Design Patent**
Rowe

(10) **Patent No.:** **US D677,625 S**
(45) **Date of Patent:** **** Mar. 12, 2013**

(54) **BATTERY CADDY**

(76) Inventor: **Grant Martin Rowe**, Markham (CA)

(**) Term: **14 Years**

(21) Appl. No.: **29/362,930**

(22) Filed: **Jun. 2, 2010**

(30) **Foreign Application Priority Data**

Apr. 15, 2010 (CA) 135031

(51) **LOC (9) Cl.** **13-02**

(52) **U.S. Cl.** **D13/119**

(58) **Field of Classification Search** D13/103–106,
D13/118–121, 184, 199; D3/304, 313, 315;
206/703–705, 461, 462, 471, 477, 485; 429/96,
429/99, 100

See application file for complete search history.

(56) **References Cited**

U.S. PATENT DOCUMENTS

3,574,432	A	4/1971	Hansmann	
3,734,309	A	5/1973	Bateman	
D239,133	S *	3/1976	Dunmire	D13/118
D239,563	S *	4/1976	Dunmire	D13/118
D269,672	S *	7/1983	Seltzer et al.	D13/119
D301,575	S *	6/1989	Crawford, Jr.	D13/119
6,465,123	B1 *	10/2002	Baumann et al.	429/99

D561,097	S *	2/2008	Koeske	D13/119
D578,962	S *	10/2008	Foreman et al.	D13/119
2005/0112457	A1 *	5/2005	Breen et al.	429/99
2008/0124618	A1 *	5/2008	Shimoyama	429/99
2009/0023055	A1 *	1/2009	Gastineau et al.	429/99

FOREIGN PATENT DOCUMENTS

CA 873708 6/1971

* cited by examiner

Primary Examiner — Rosemary K Tarcza

(74) *Attorney, Agent, or Firm* — Shahrzad Esmaili

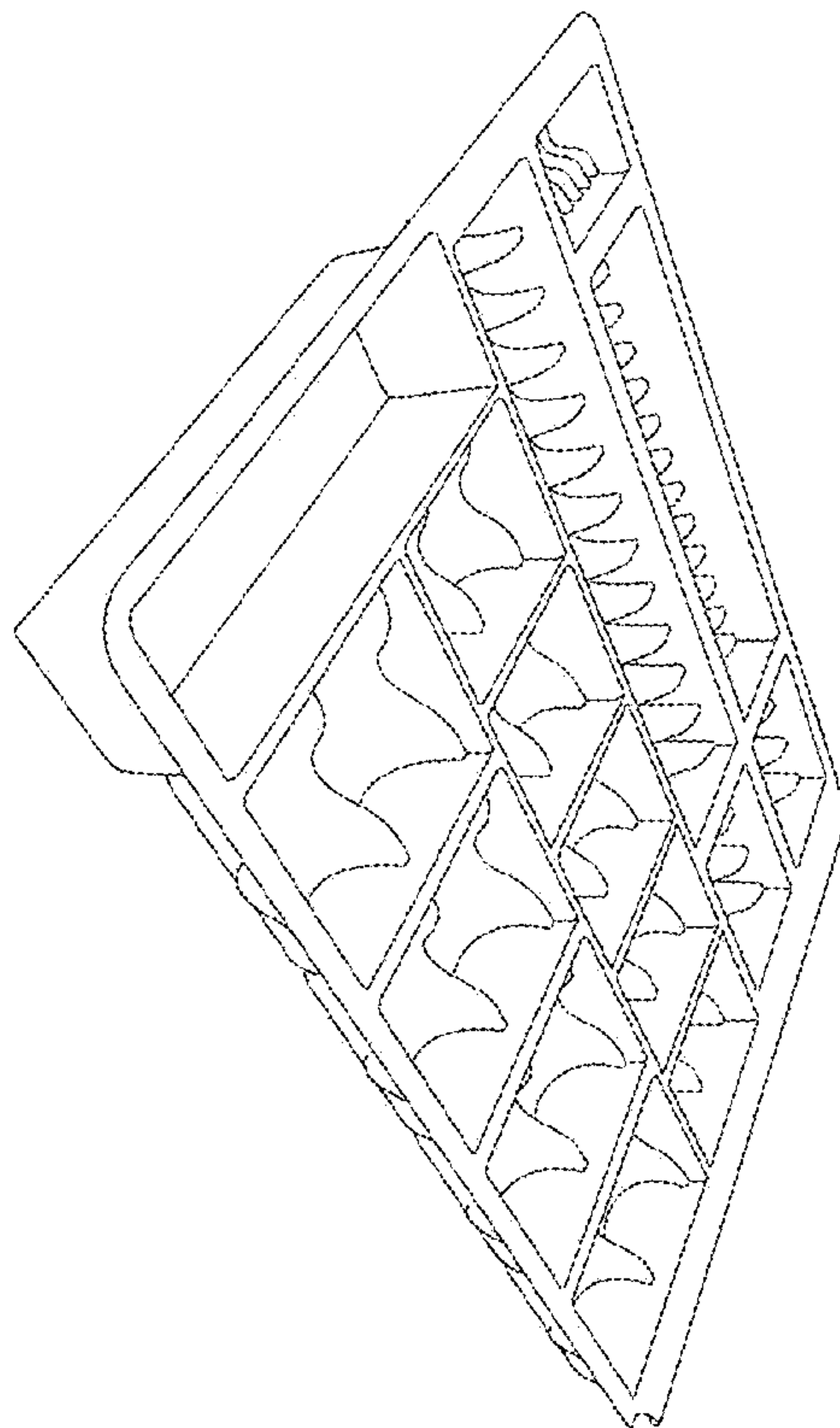
(57) **CLAIM**

The ornamental design for a battery caddy, as shown and described.

DESCRIPTION

FIG. 1 is a front perspective view of a battery caddy;
FIG. 2 is a right side view of FIG. 1;
FIG. 3 is a left side view of FIG. 1;
FIG. 4 is a front view of FIG. 1;
FIG. 5 is a rear view of FIG. 1;
FIG. 6 is a top view of FIG. 1;
FIG. 7 is a bottom view of FIG. 1; and,
FIG. 8 is a front perspective view of the battery caddy of FIG. 1 showing the environment.
Portions shown in dotted lines in the Figures are for illustrative purposes only and form no part of the claimed design.

1 Claim, 8 Drawing Sheets



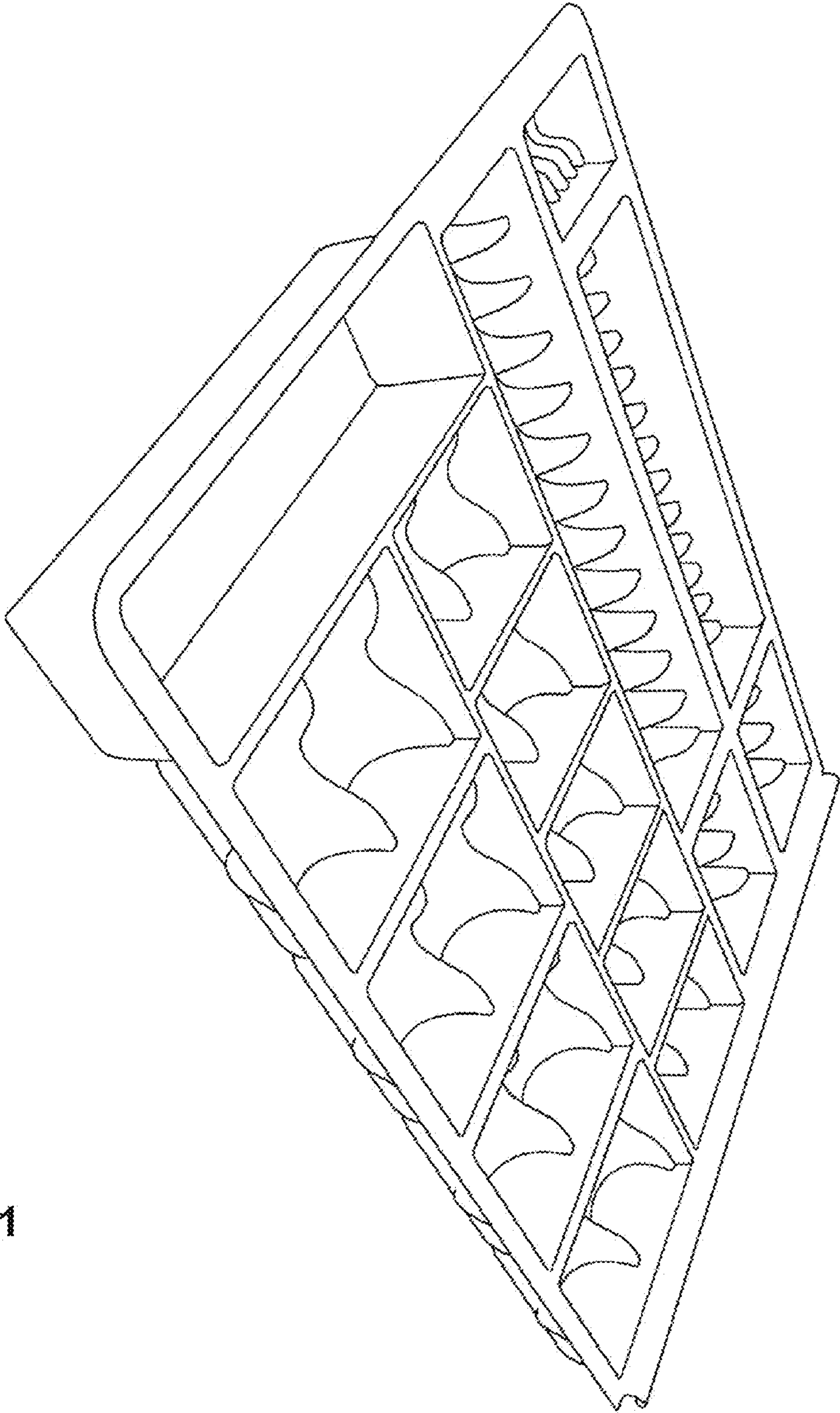


FIG. 1

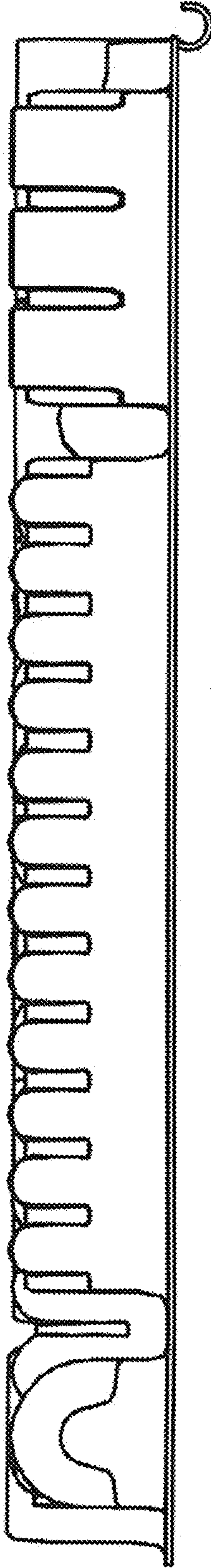


FIG. 2

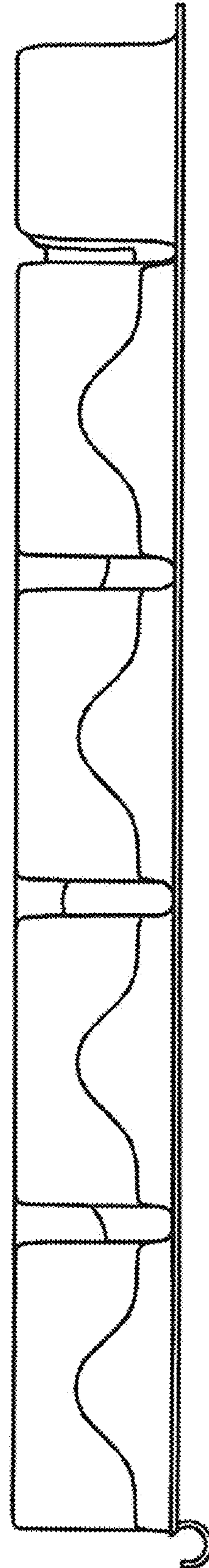


FIG. 3

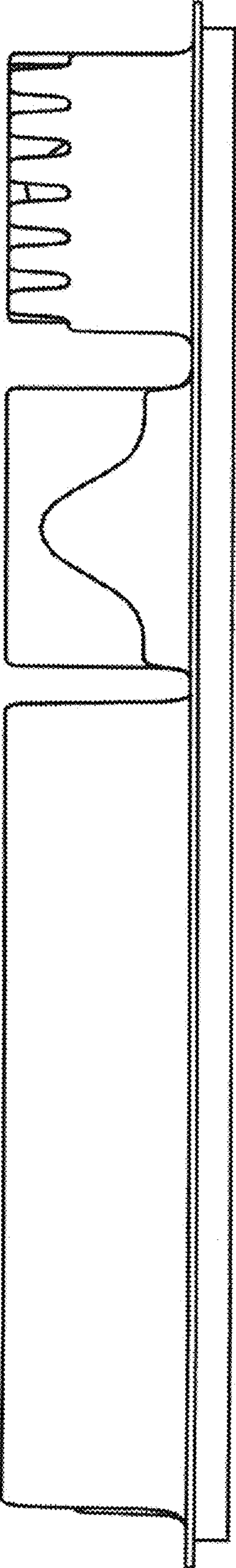


FIG. 4

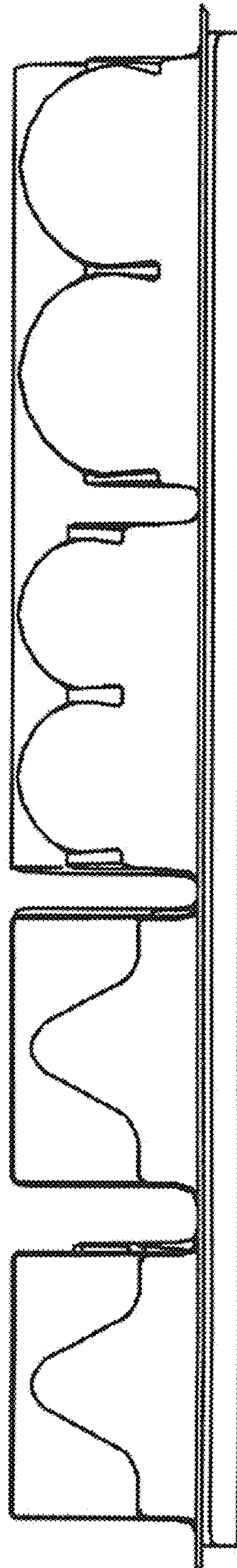


FIG. 5

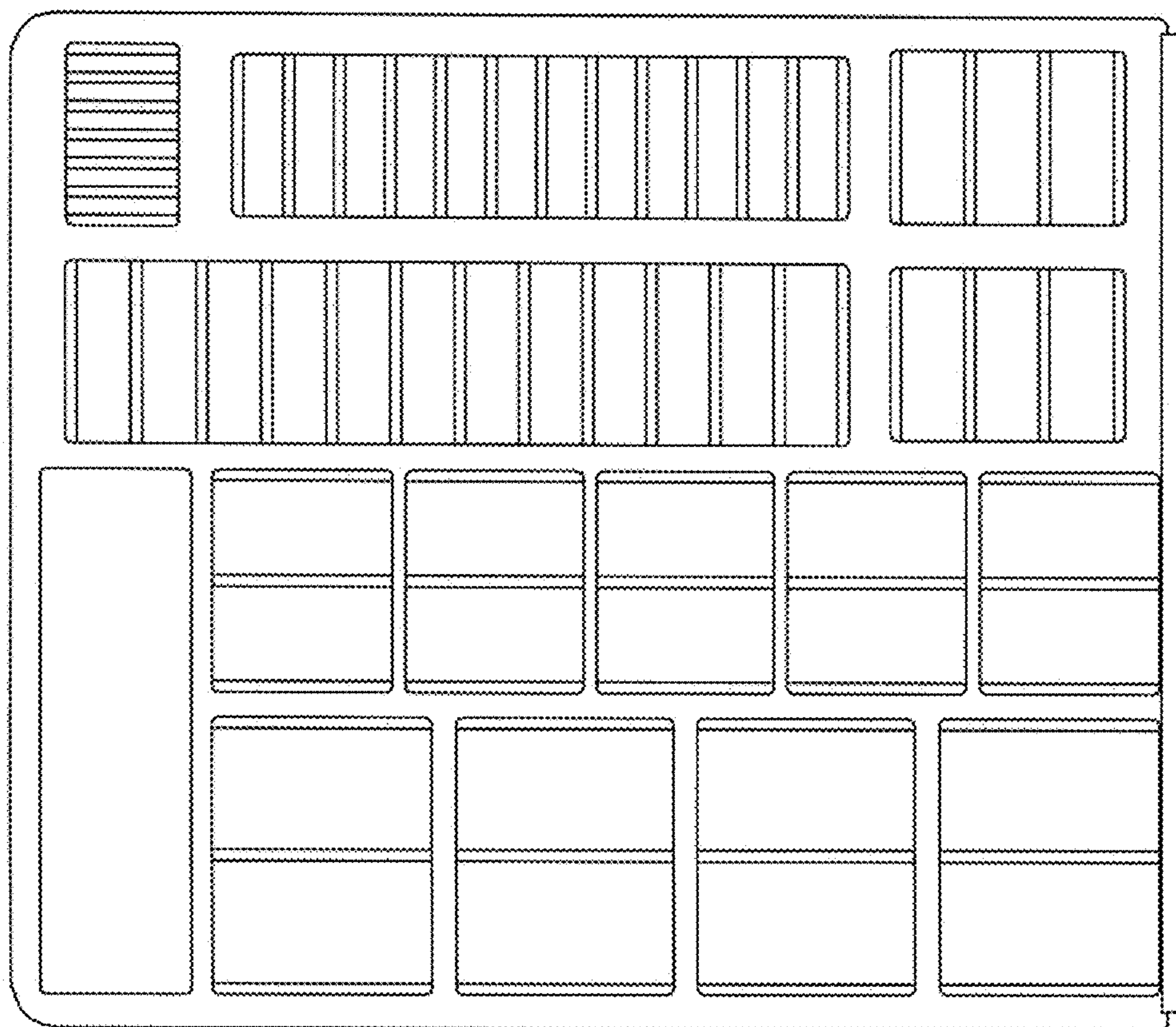


FIG. 6

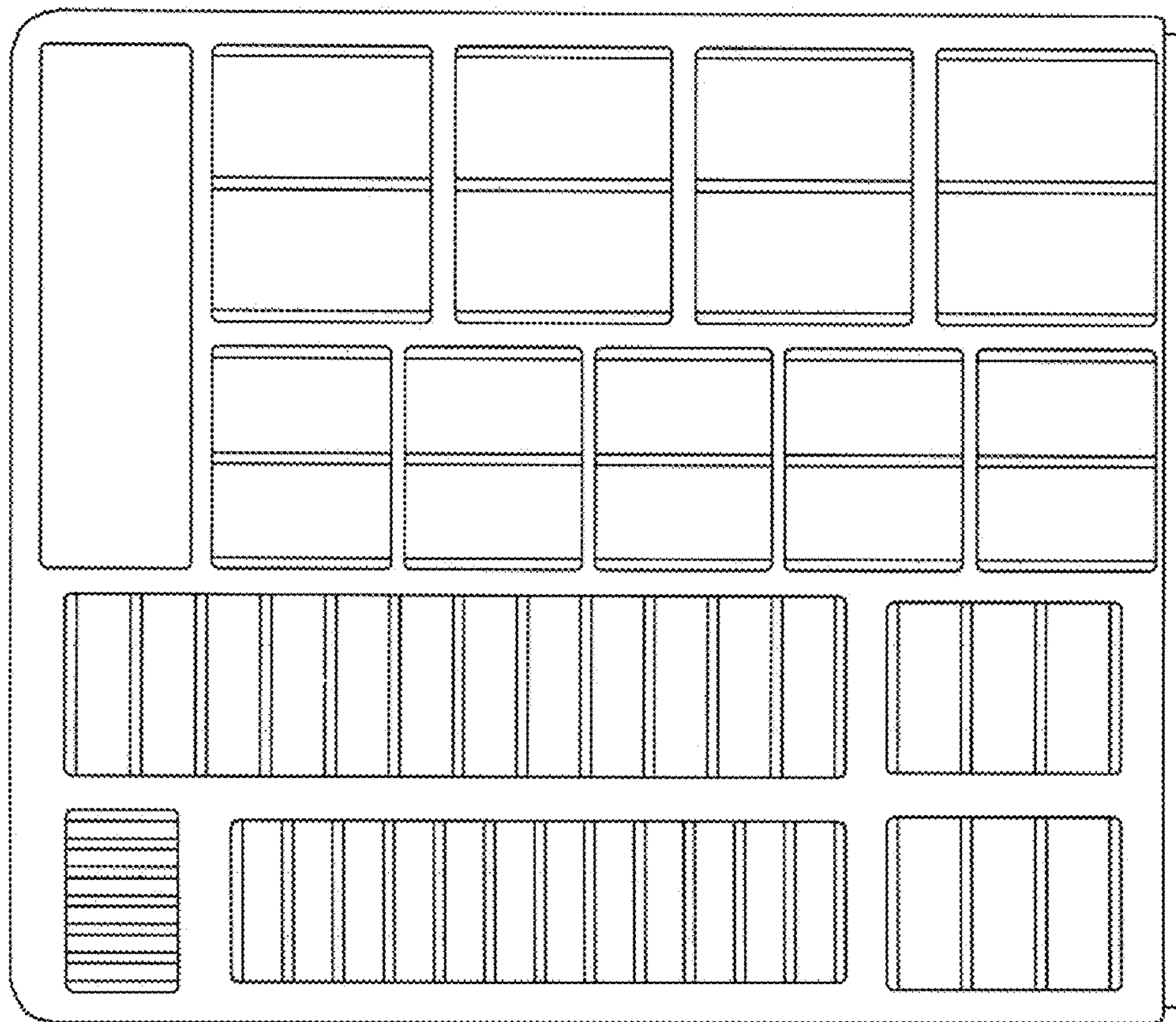


FIG. 7

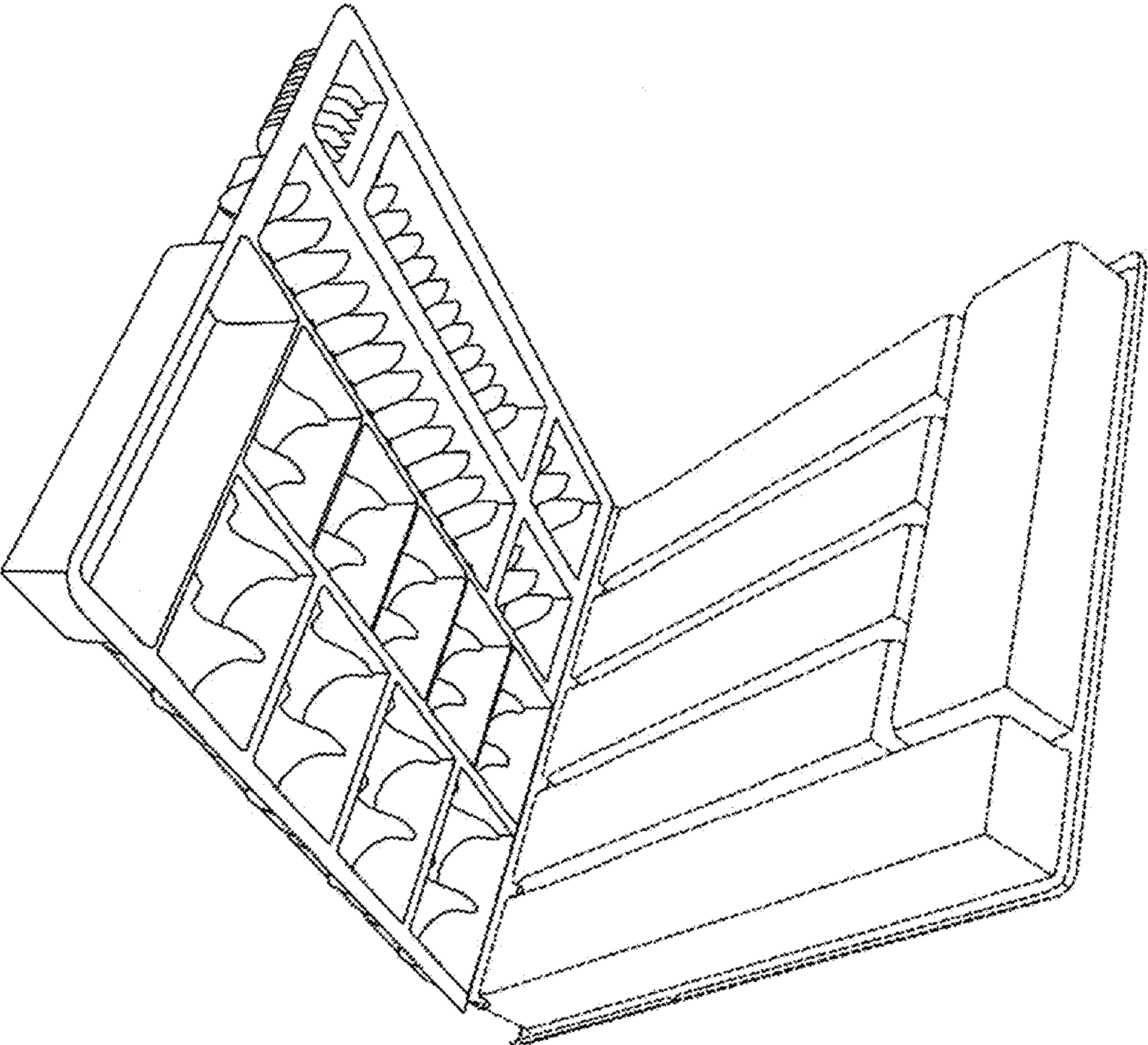


FIG. 8