



US00D677621S

(12) **United States Design Patent**  
**Beroukas et al.**

(10) **Patent No.:** **US D677,621 S**  
(45) **Date of Patent:** **\*\* Mar. 12, 2013**

(54) **CHARGER**

(71) Applicants: **Marc Beroukas**, Germantown, WI (US);  
**Kenneth G. Seidl**, Port Washington, WI (US)

(72) Inventors: **Marc Beroukas**, Germantown, WI (US);  
**Kenneth G. Seidl**, Port Washington, WI (US)

(73) Assignee: **Raffel Systems, LLC**, Germantown, WI (US)

(\*\*) Term: **14 Years**

(21) Appl. No.: **29/433,790**

(22) Filed: **Oct. 4, 2012**

(51) **LOC (9) Cl.** ..... **13-02**

(52) **U.S. Cl.** ..... **D13/107**

(58) **Field of Classification Search** ..... D13/107-110,  
D13/118-119, 184, 199; D14/251, 253,  
D14/432, 434; 320/103-115  
See application file for complete search history.

(56) **References Cited**

U.S. PATENT DOCUMENTS

D354,739 S \* 1/1995 Durham et al. .... D13/184  
D542,279 S \* 5/2007 Chan ..... D14/216

D628,960 S \* 12/2010 Shimizu et al. .... D13/107  
D629,747 S \* 12/2010 Rajakaruna ..... D13/107  
2011/0140656 A1\* 6/2011 Starr et al. .... 320/109  
2011/0316479 A1\* 12/2011 Baxter et al. .... 320/109

\* cited by examiner

*Primary Examiner* — Rosemary K Tarcza

(74) *Attorney, Agent, or Firm* — Casimir Jones S.C.

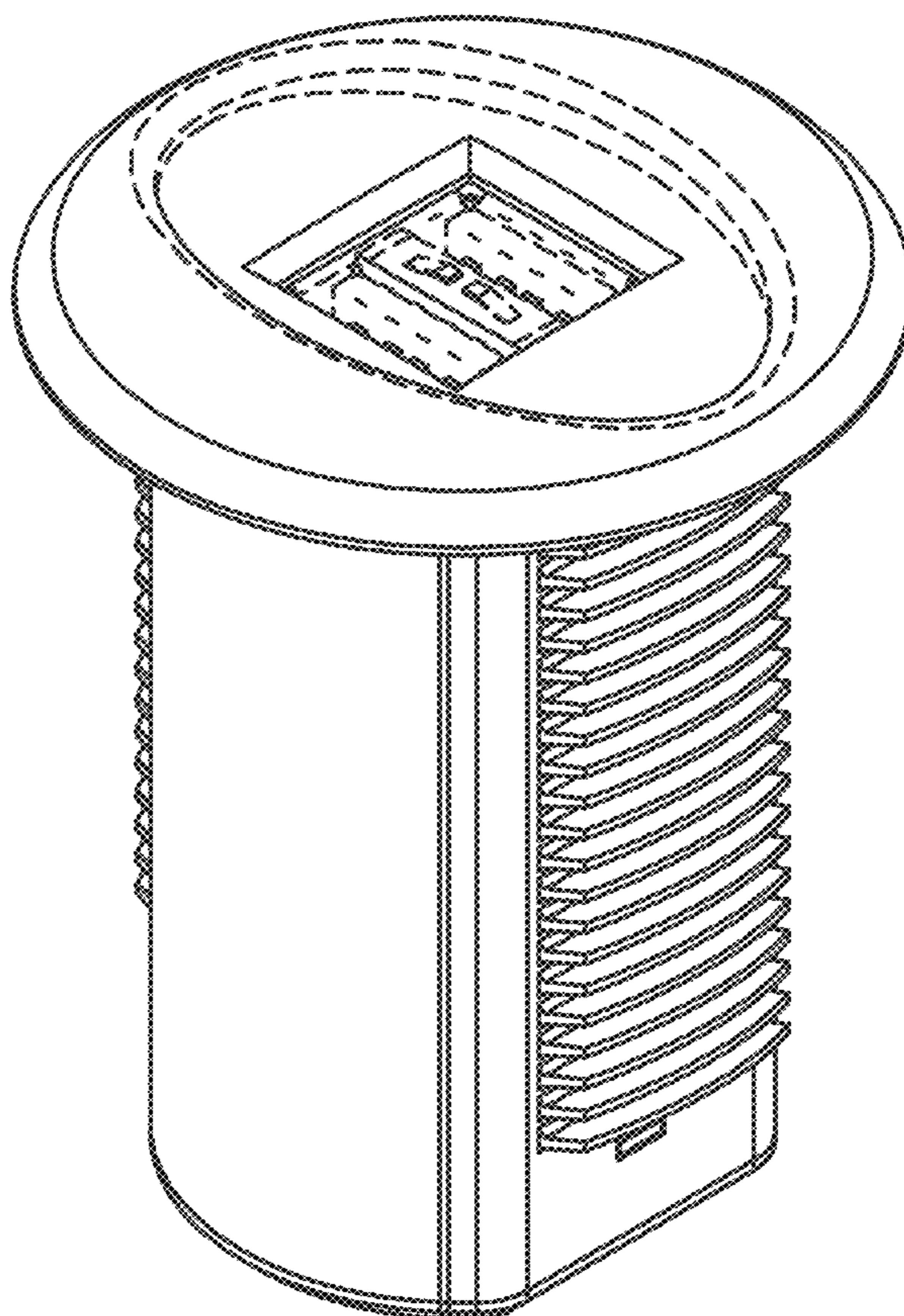
(57) **CLAIM**

The ornamental design for a charger, as shown and described.

**DESCRIPTION**

FIG. 1 is a top perspective view showing our new design;  
FIG. 2 is a front elevational view thereof, the front and rear  
elevational views being identical;  
FIG. 3 is a left side elevational view thereof, the left side and  
right side elevational views being identical;  
FIG. 4 is a top plan view thereof; and,  
FIG. 5 is a bottom plan view thereof.  
The broken lines shown in the drawings are included for the  
purpose of illustrating environmental structure and form no  
part of the claimed design.

**1 Claim, 4 Drawing Sheets**



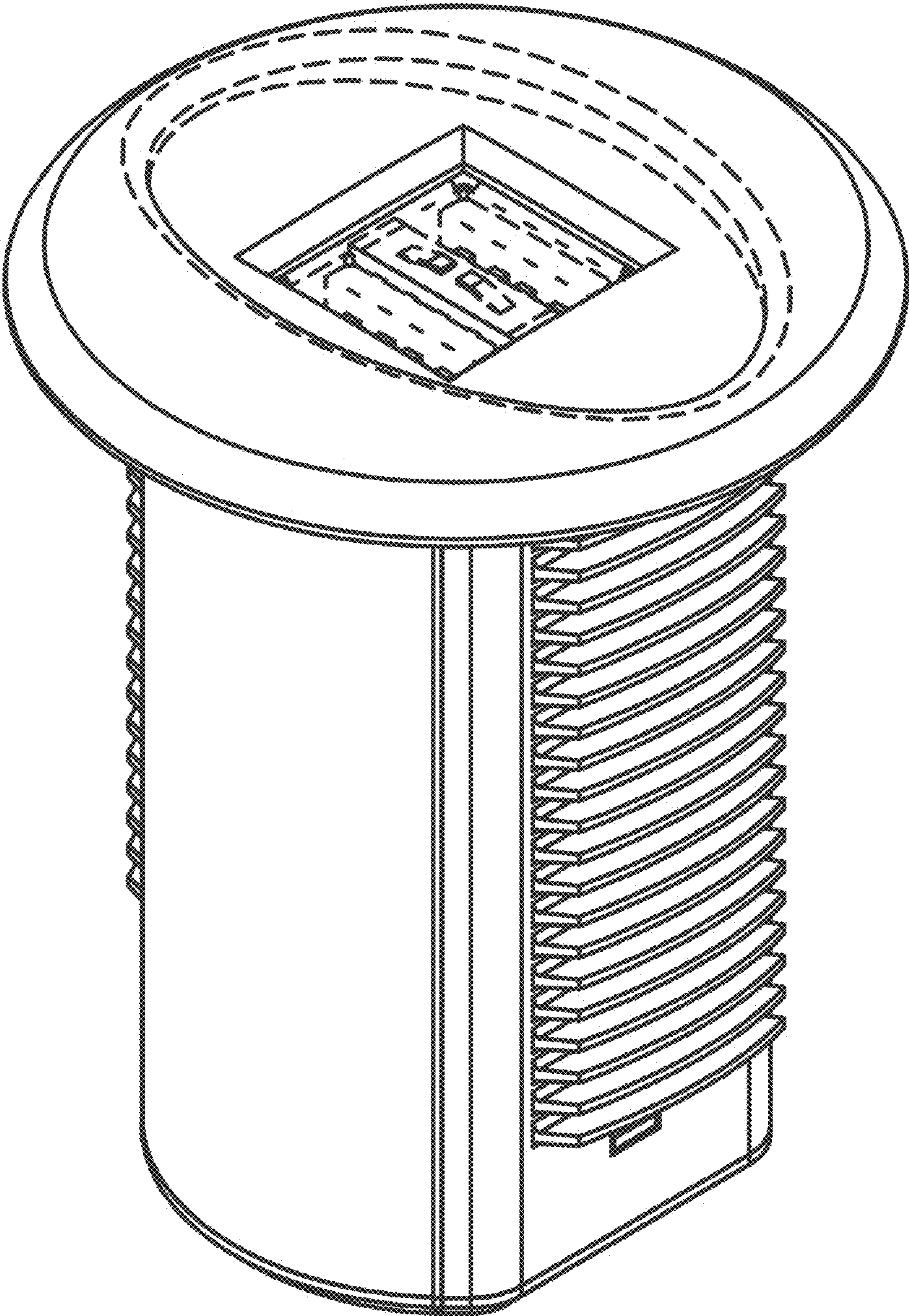


FIG. 1



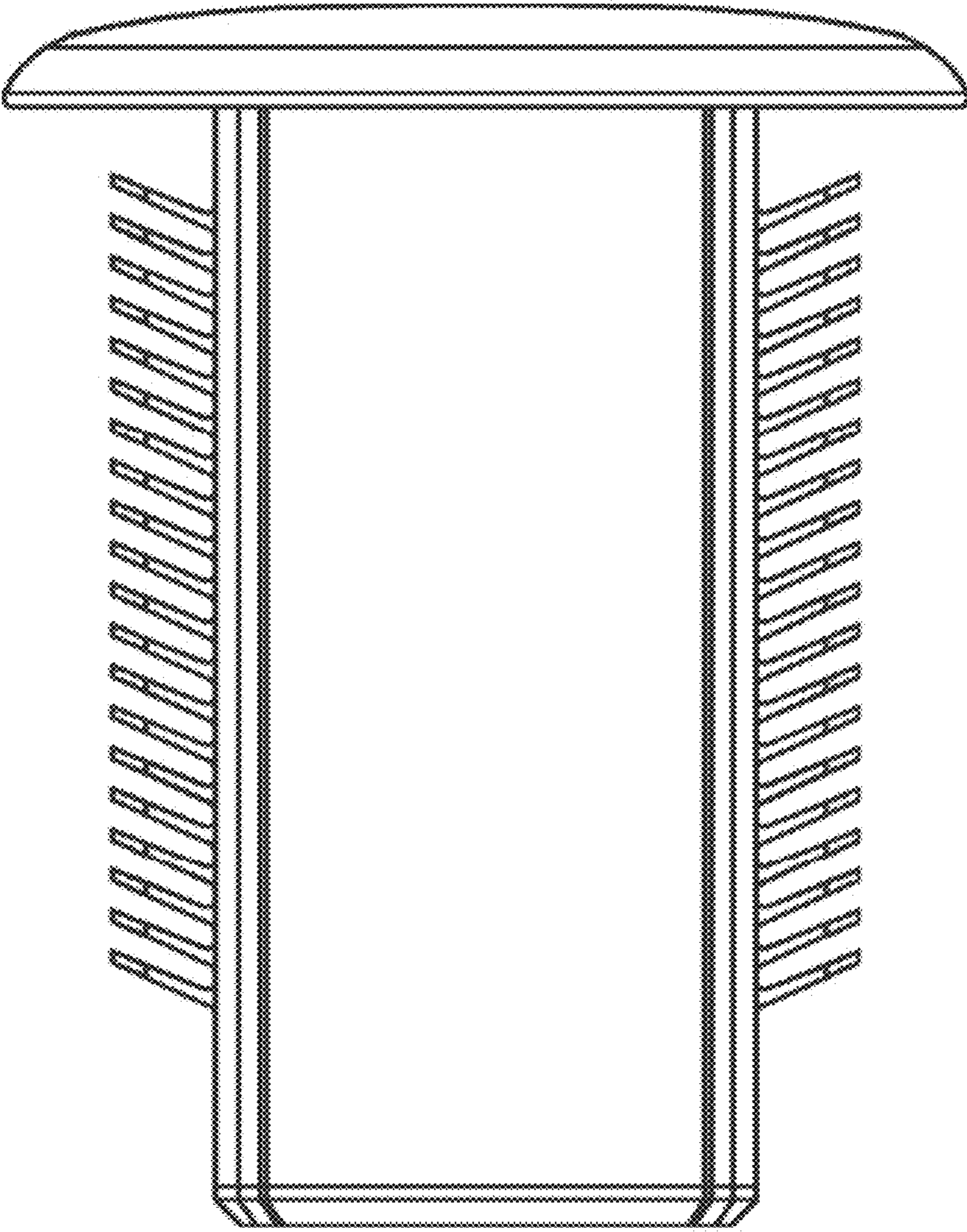


FIG. 2

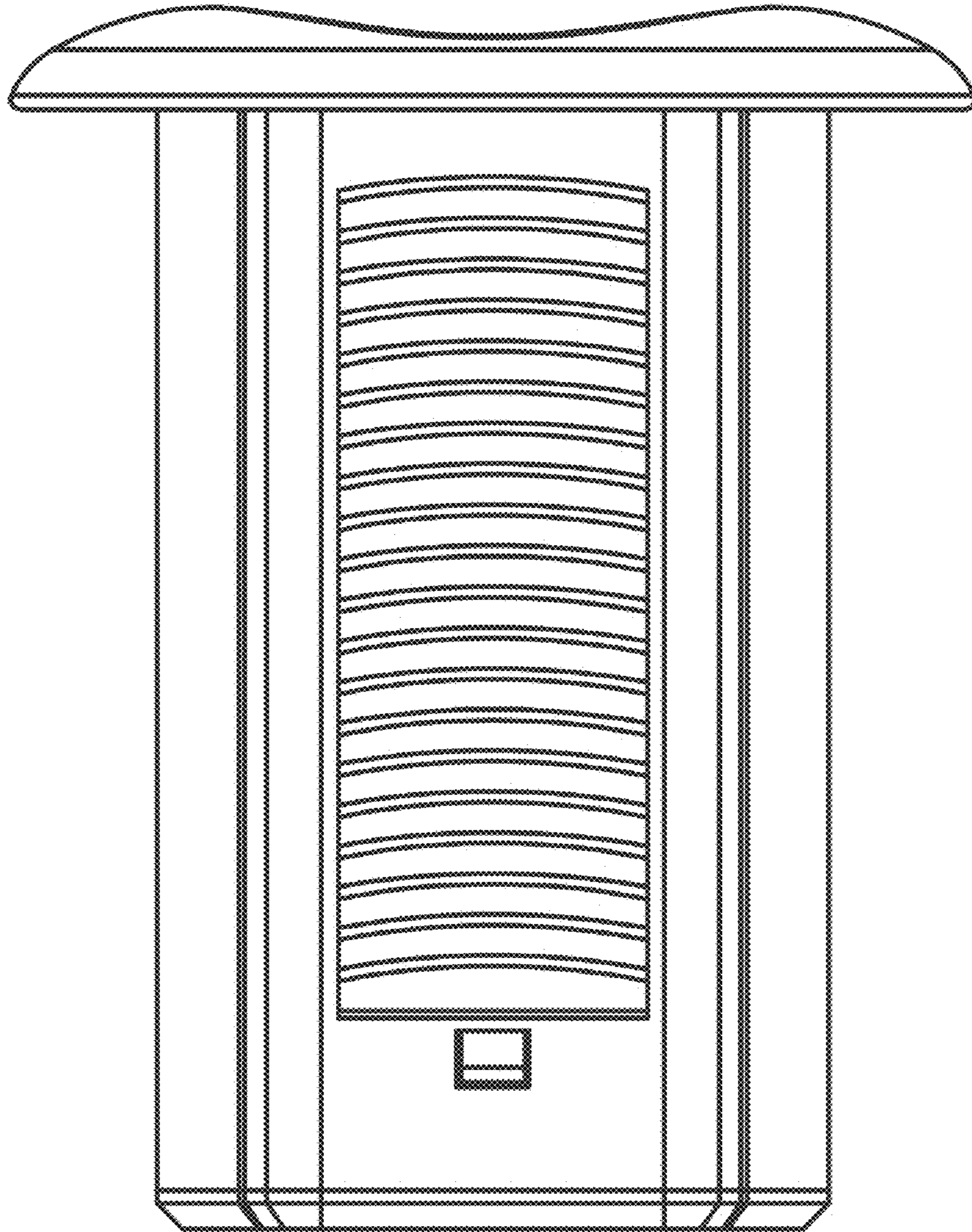


FIG. 3

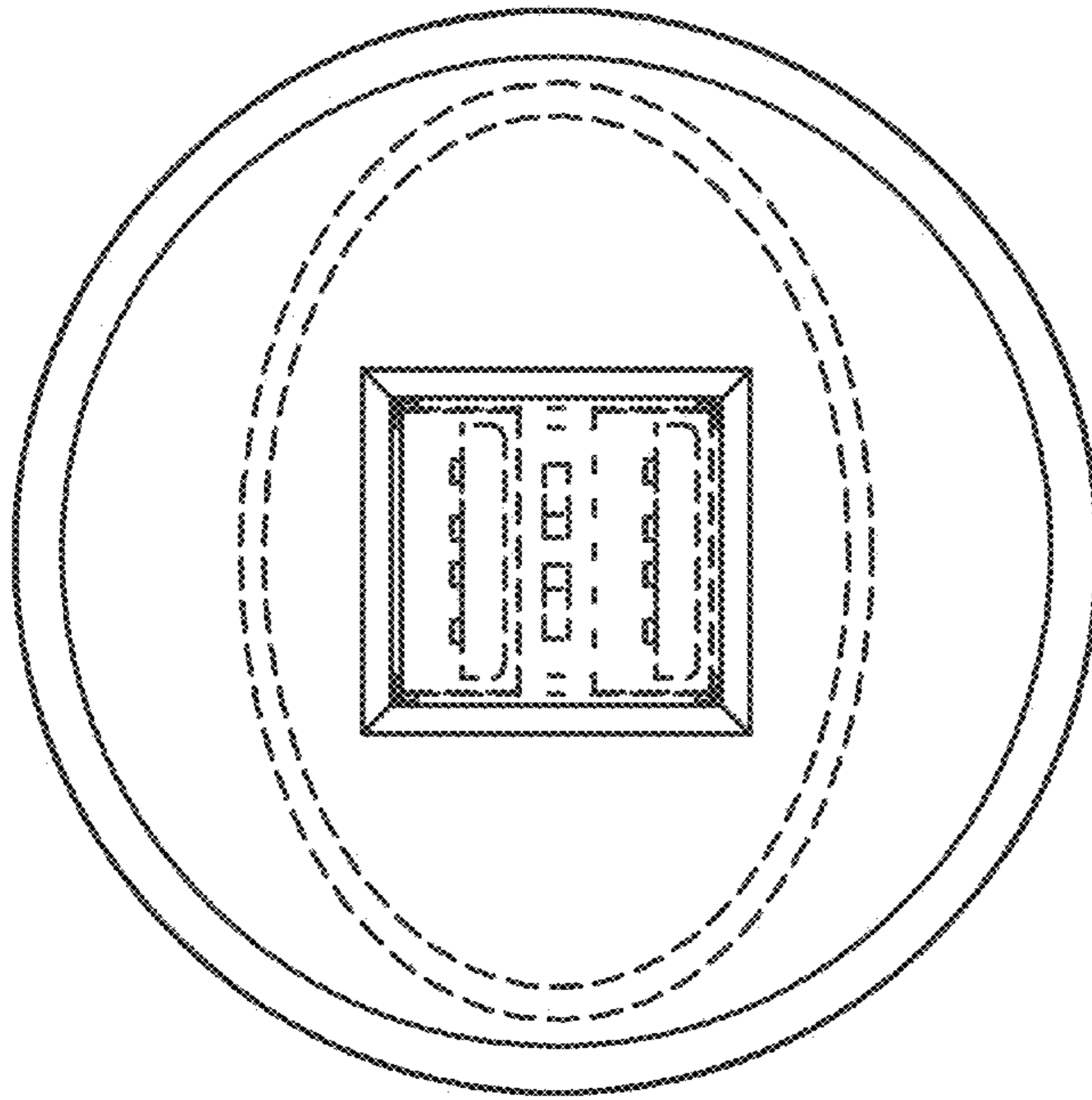


FIG. 4

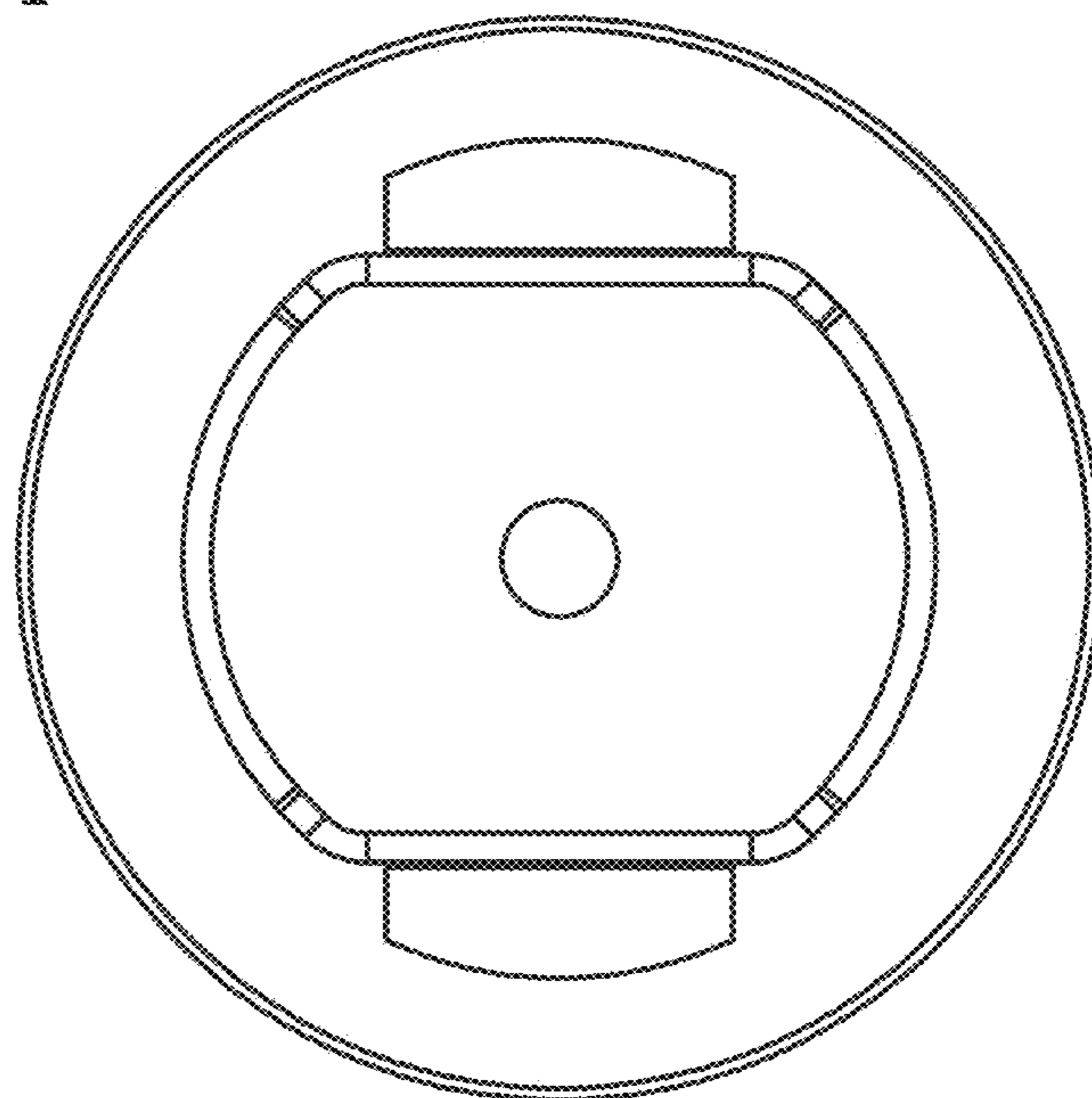


FIG. 5