



US00D677620S

(12) **United States Design Patent**
Corbin et al.

(10) **Patent No.:** **US D677,620 S**
(45) **Date of Patent:** **** Mar. 12, 2013**

(54) **BATTERY MODULE**

(75) Inventors: **Sean Stewart Corbin**, Jose, CA (US);
Stephen McClure, San Francisco, CA
(US); **Alex Chun Lap Yeung**, South San
Francisco, CA (US)

(73) Assignee: **Apple Inc.**, Cupertino, CA (US)

(**) Term: **14 Years**

(21) Appl. No.: **29/385,789**

(22) Filed: **Feb. 18, 2011**

(51) **LOC (9) Cl.** **13-02**

(52) **U.S. Cl.** **D13/103**

(58) **Field of Classification Search** D13/102-106,
D13/110, 118-119, 184; 429/96-100, 122,
429/156, 159, 163, 176

See application file for complete search history.

(56) **References Cited**

U.S. PATENT DOCUMENTS

5,180,644	A *	1/1993	Bresin et al.	429/98
5,436,089	A	7/1995	Fedele	
5,601,942	A	2/1997	Fedele	
D440,201	S *	4/2001	Huynh et al.	D13/103
D454,544	S *	3/2002	Takach et al.	D13/152
D494,924	S *	8/2004	Maruyama	D13/103
D532,363	S *	11/2006	Morisawa	D13/103
7,595,129	B2	9/2009	Kato	

D635,506	S	4/2011	Morisawa	
D637,157	S *	5/2011	Andre et al.	D13/119
D655,673	S *	3/2012	Masui	D13/103
D658,583	S *	5/2012	Andre et al.	D13/119
2002/0094475	A1	7/2002	Aoyama	

OTHER PUBLICATIONS

Co-pending U.S. Appl. No. 29/376,055, Inventors Banko et al., filed Sep. 30, 2010 (Not Published).

* cited by examiner

Primary Examiner — Rosemary K Tarcza

(74) *Attorney, Agent, or Firm* — Sterne, Kessler, Goldstein & Fox P.L.L.C.

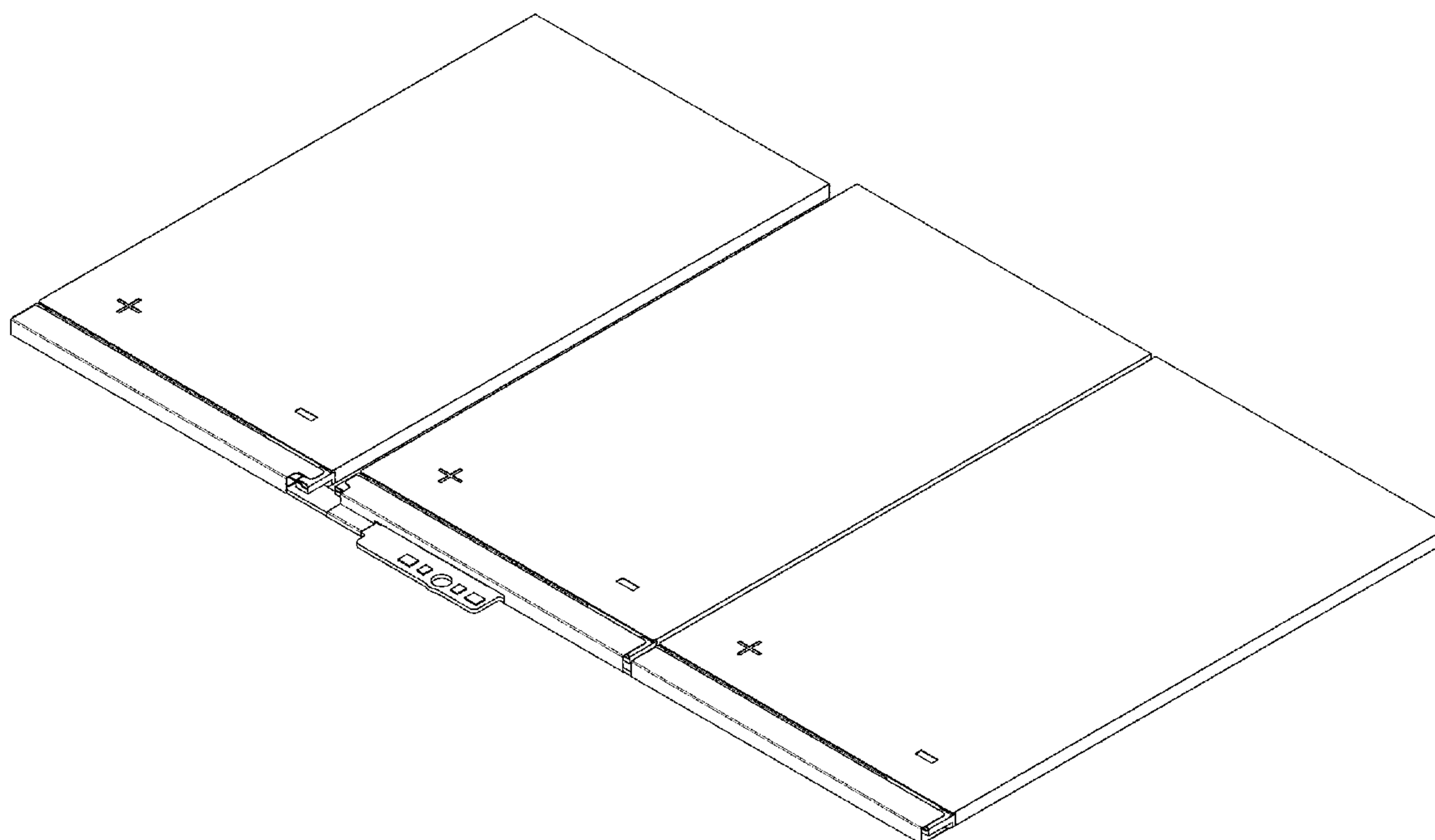
(57) **CLAIM**

The ornamental design for a battery module, as shown and described.

DESCRIPTION

FIG. 1 is a top front perspective view of a battery module showing our new design;
FIG. 2 is a front view thereof;
FIG. 3 is a rear view thereof;
FIG. 4 is a left side view thereof;
FIG. 5 is a right side view thereof;
FIG. 6 is a top view thereof; and,
FIG. 7 is a bottom view thereof.

1 Claim, 5 Drawing Sheets



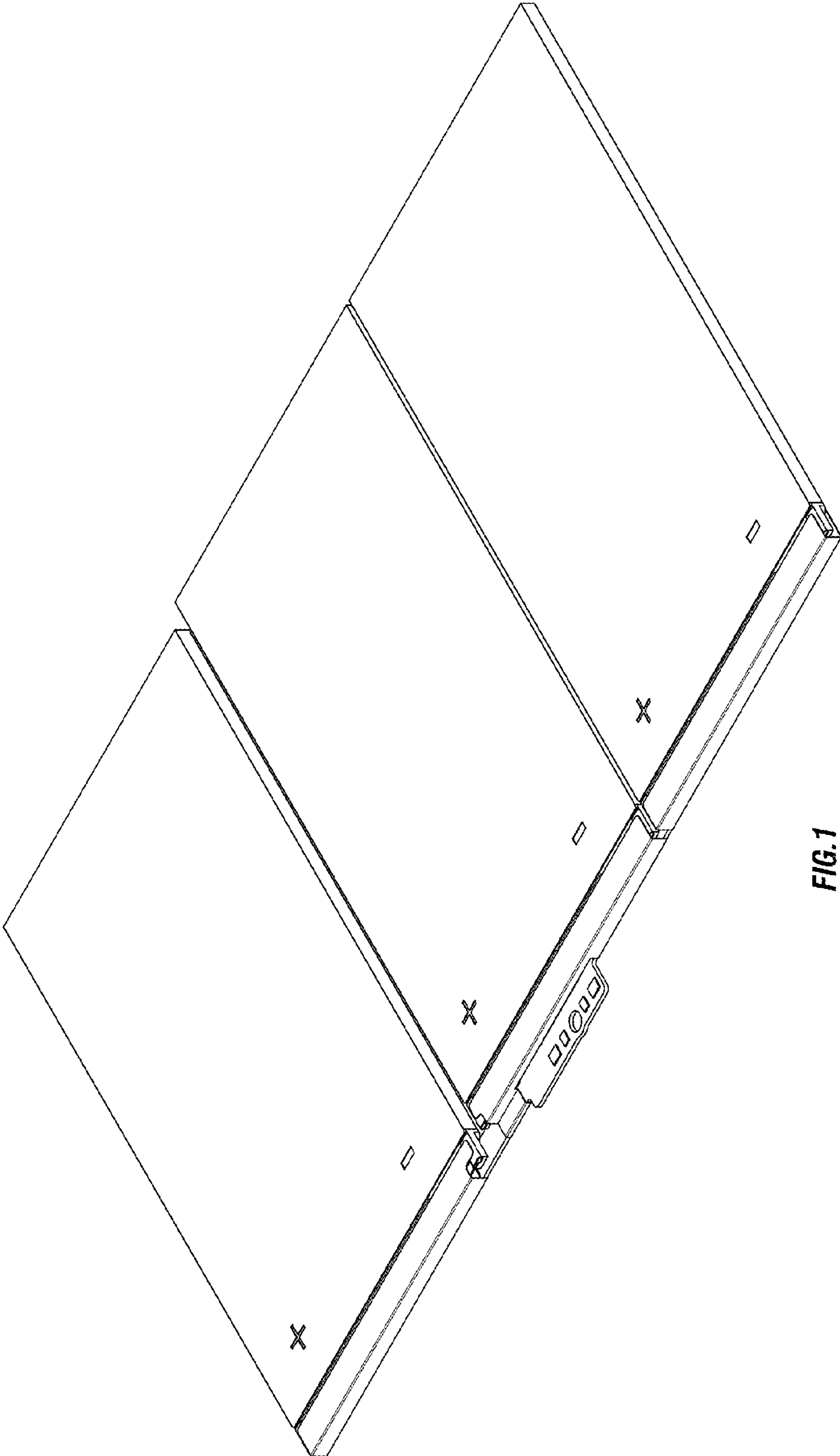


FIG.1

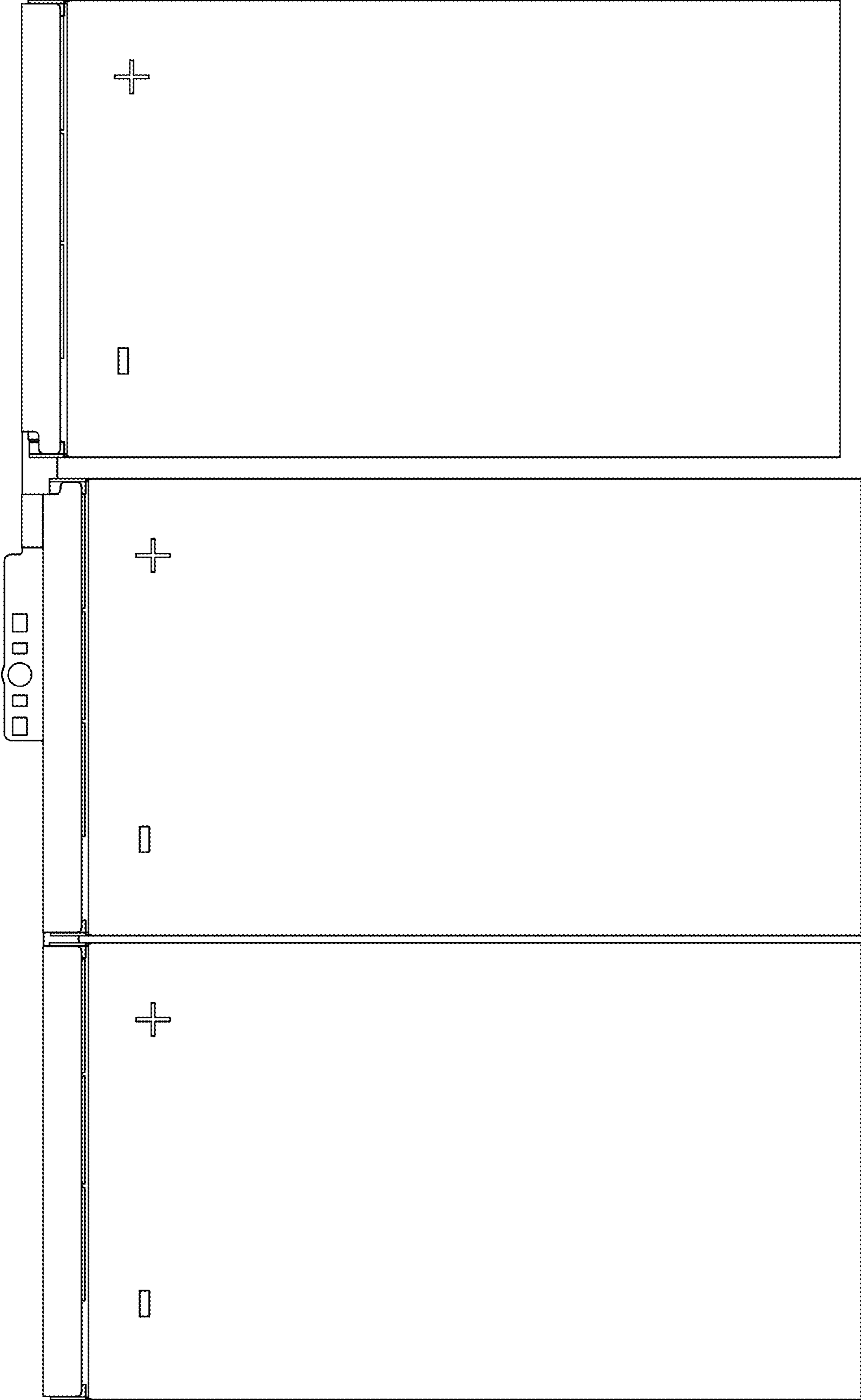


FIG.2

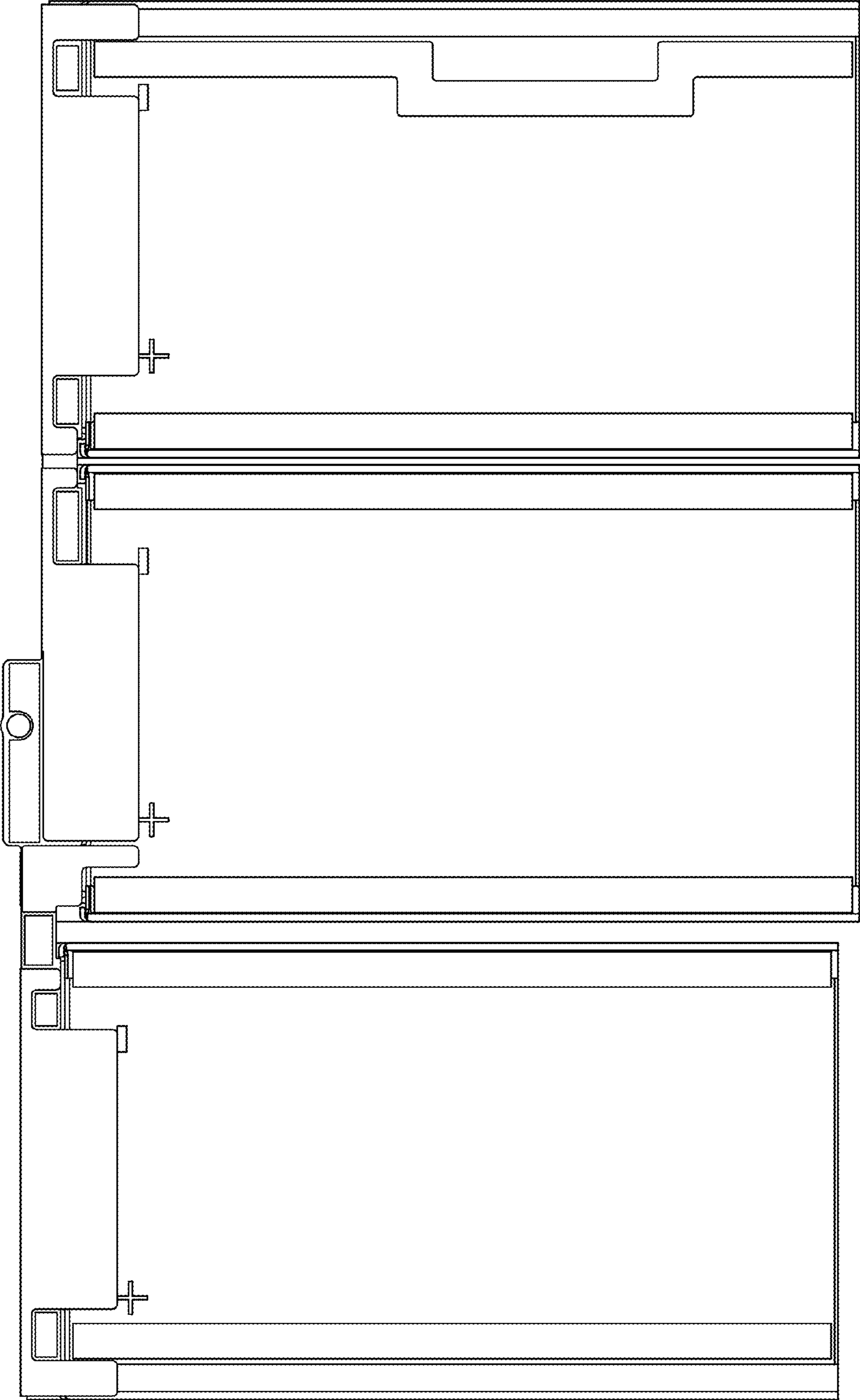


FIG.3

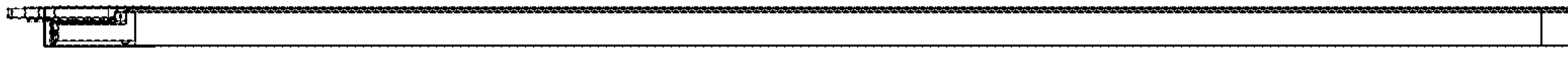


FIG. 5



FIG. 4



FIG. 6



FIG. 7