



US00D677618S

(12) **United States Design Patent**
Hsu

(10) **Patent No.:** **US D677,618 S**
(45) **Date of Patent:** **** Mar. 12, 2013**

- (54) **FUEL CELL SYSTEM BODY**
- (75) Inventor: **Chih Pin Hsu**, Taipei (TW)
- (73) Assignee: **M-Field Energy Ltd**, Taipei (TW)
- (**) Term: **14 Years**
- (21) Appl. No.: **29/422,793**
- (22) Filed: **May 24, 2012**
- (51) **LOC (9) Cl.** **13-02**
- (52) **U.S. Cl.** **D13/101**
- (58) **Field of Classification Search** D13/101,
D13/100, 110, 113, 118, 122, 184, 199; D6/432,
D6/437, 445, 446, 461, 477; 261/1, 19, 28,
261/29; 320/101; 429/400, 401-407, 411,
429/413, 462, 467, 153, 176, 177
See application file for complete search history.

(56) **References Cited**

U.S. PATENT DOCUMENTS

D492,650 S *	7/2004	Nishi	D13/110
D574,767 S *	8/2008	Hall et al.	D13/101
D590,767 S *	4/2009	Brantley et al.	D13/101
2002/0197522 A1 *	12/2002	Lawrence et al.	429/34
2004/0013927 A1 *	1/2004	Lawrence et al.	429/34

* cited by examiner

Primary Examiner — Derrick Holland
(74) *Attorney, Agent, or Firm* — Morris Manning & Martin LLP; Tim Tingkang Xia, Esq.

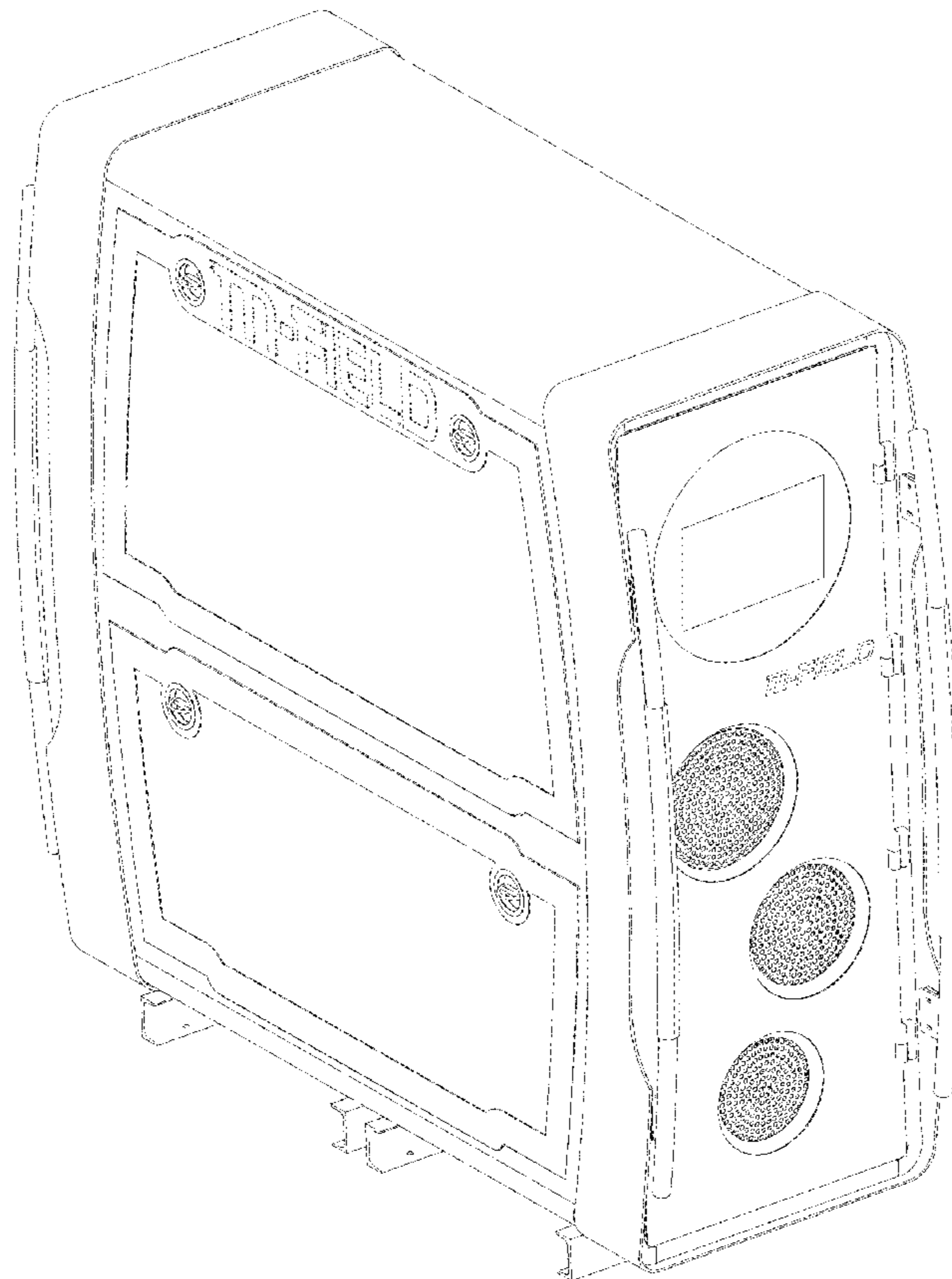
(57) **CLAIM**

The ornamental design for a fuel cell system body, as shown and described.

DESCRIPTION

FIG. 1 is a top, front and right side perspective view of a fuel cell system body of the present invention;
FIG. 2 is a top, back and left side perspective view thereof;
FIG. 3 is a front elevational view thereof;
FIG. 4 is a back elevational view thereof;
FIG. 5 is a left side view thereof;
FIG. 6 is a right side view thereof;
FIG. 7 is a top plan view thereof; and,
FIG. 8 is a bottom plan view thereof.
The trademarked material "M-FIELD" is unclaimed subject matter and forms no part of the claimed design.

1 Claim, 6 Drawing Sheets



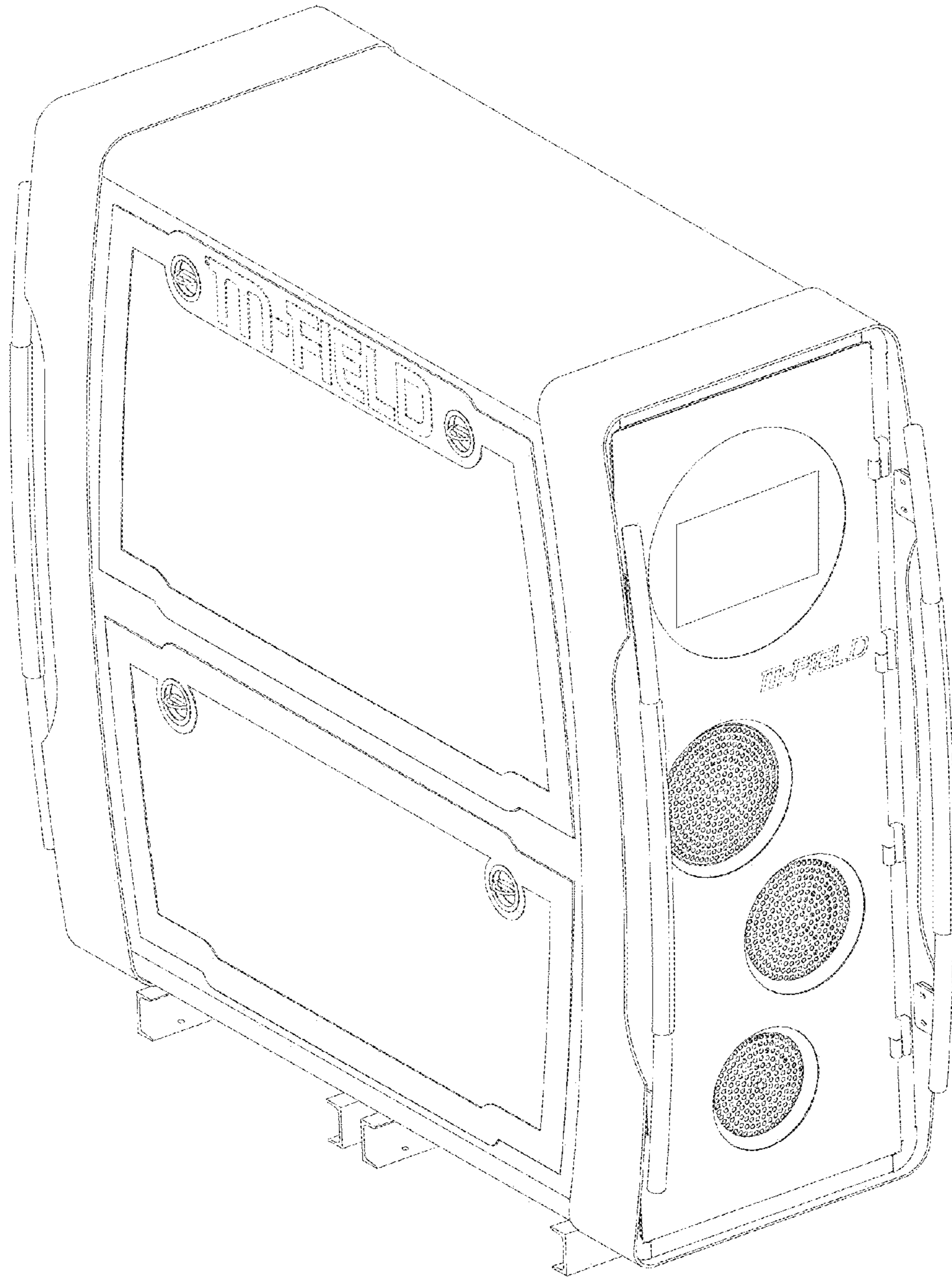


FIG. 1

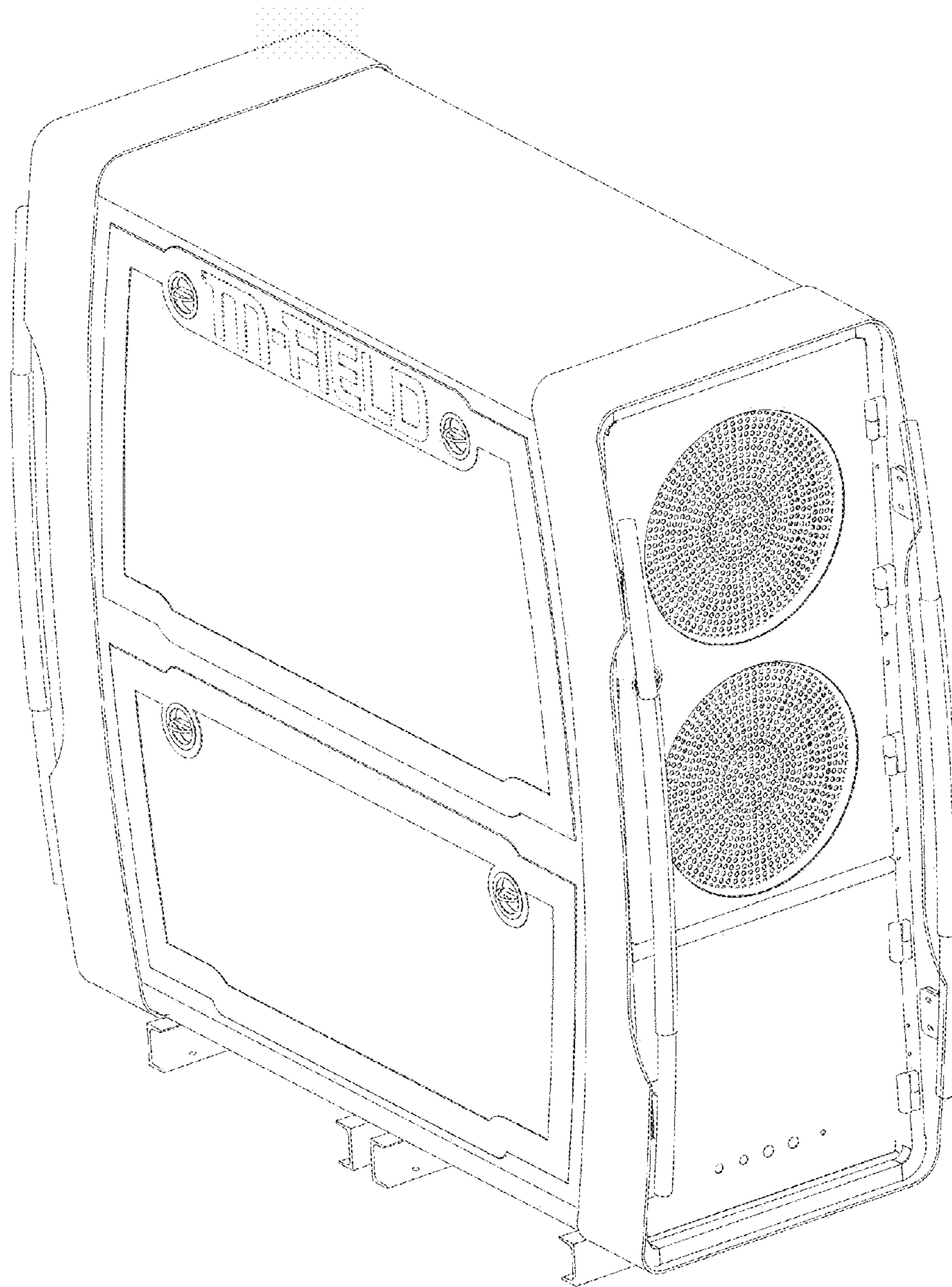


FIG. 2

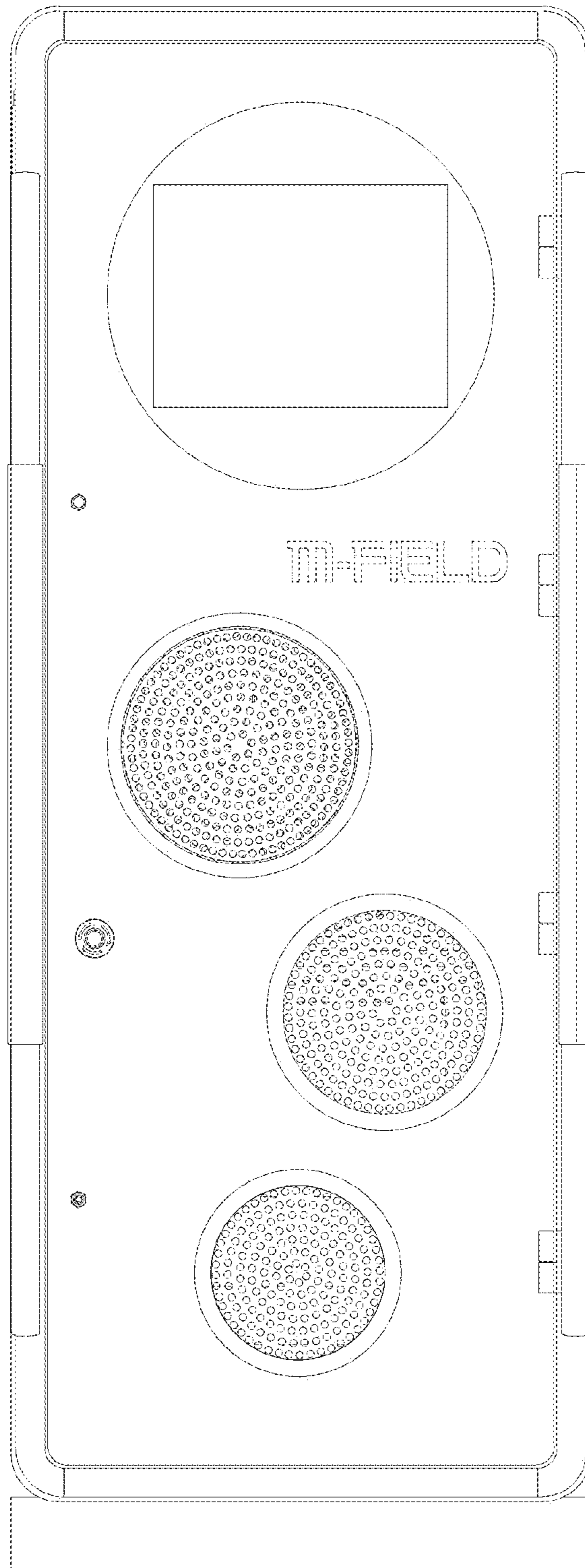


FIG. 3

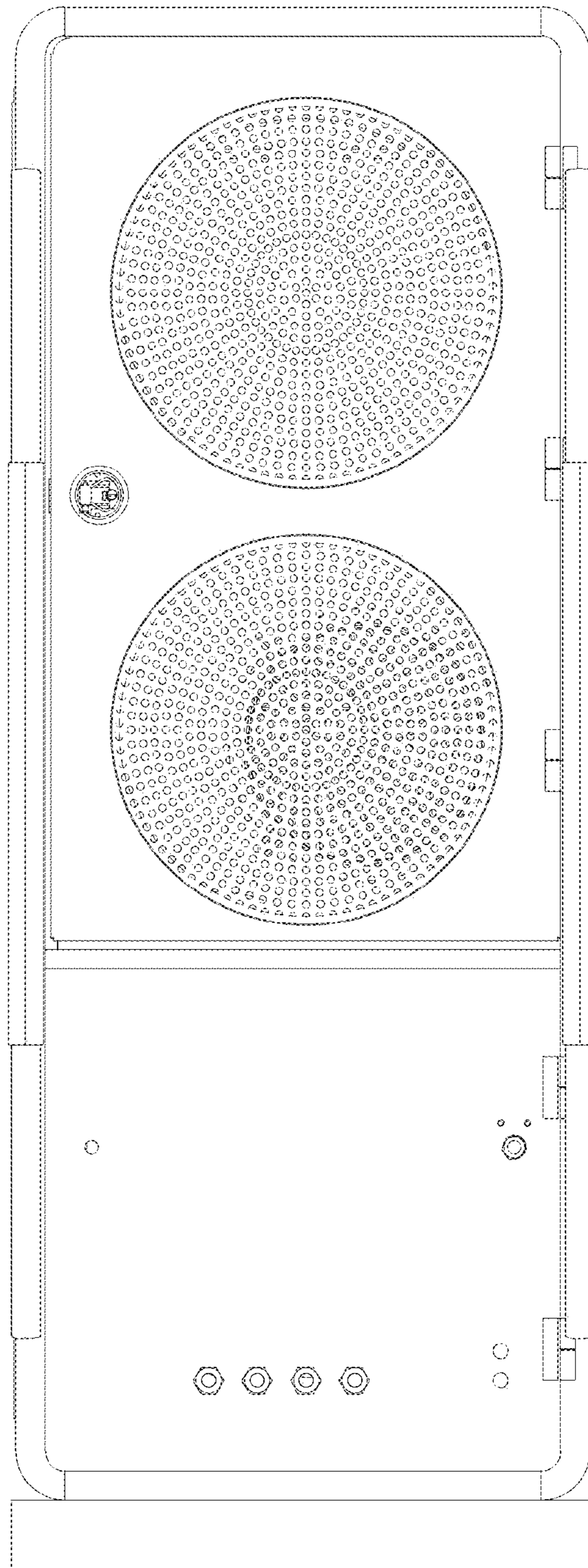


FIG. 4

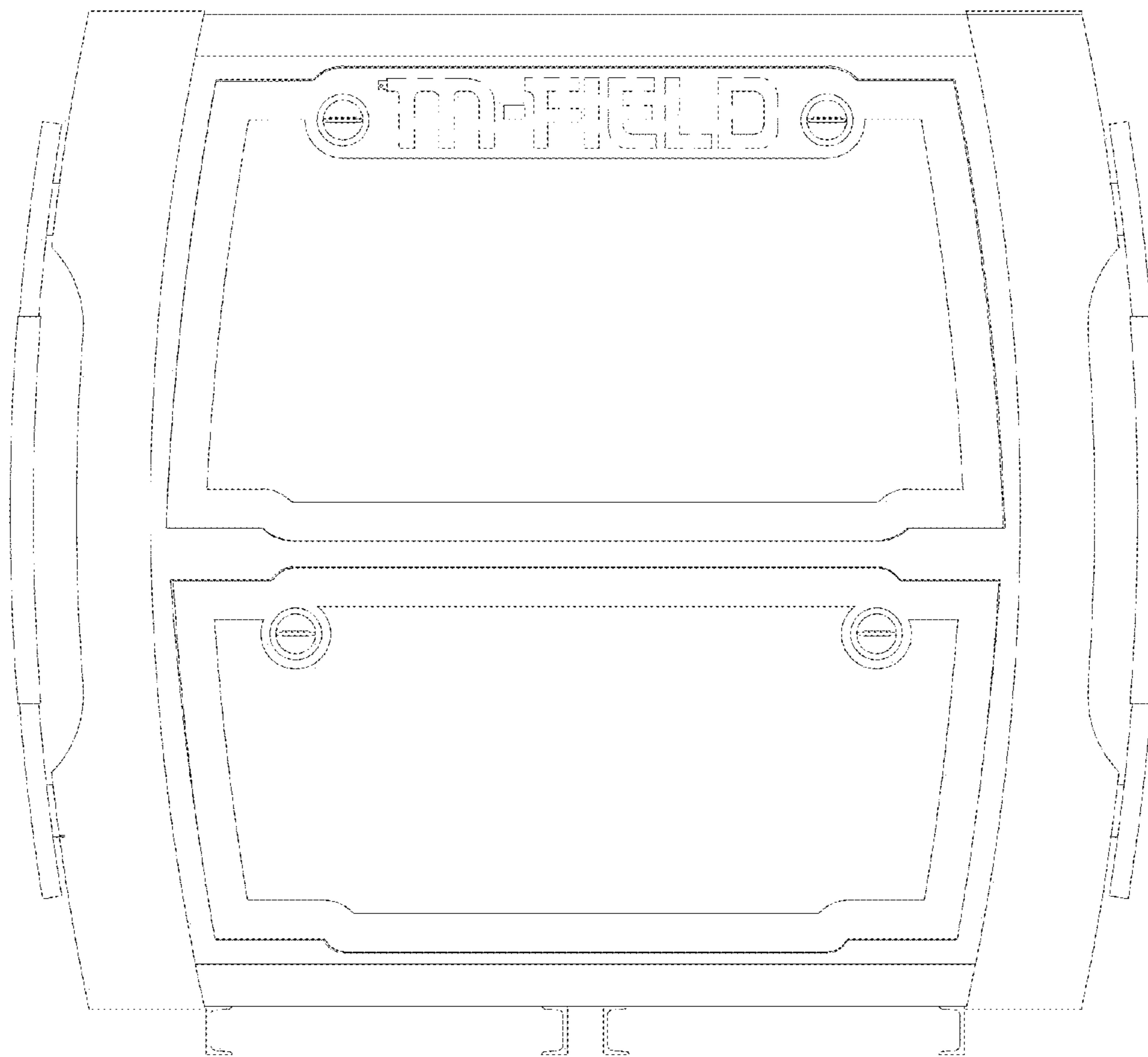


FIG. 5

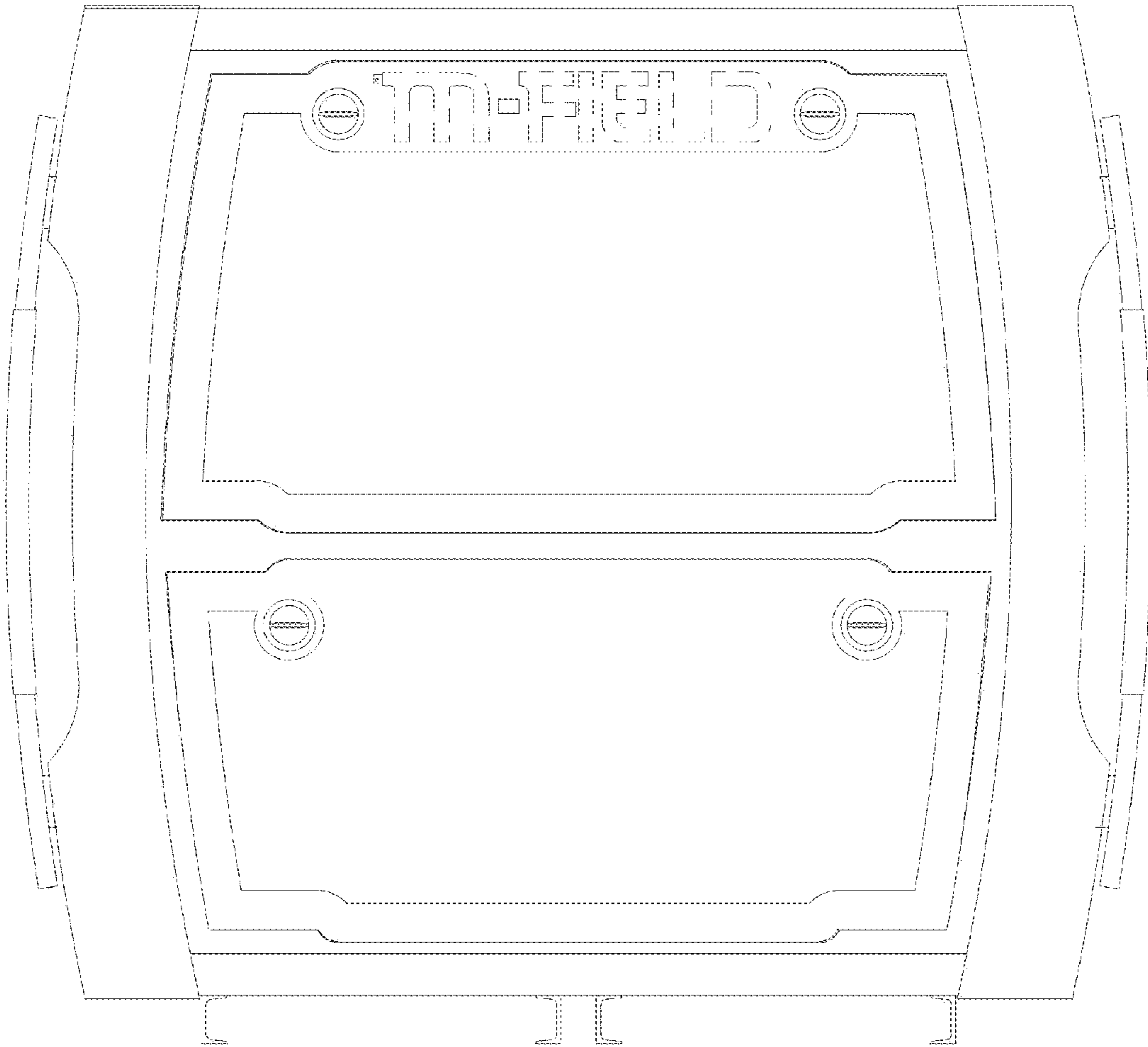


FIG. 6