



US00D677610S

(12) **United States Design Patent**
Holstein

(10) **Patent No.:** **US D677,610 S**
(45) **Date of Patent:** **** Mar. 12, 2013**

(54) **WHEEL OR WHEEL COVER**

(75) Inventor: **Henning Holstein**, Dietersburg (DE)

(73) Assignee: **Bayerische Motoren Werke Aktiengesellschaft**, Munich (DE)

(**) Term: **14 Years**

(21) Appl. No.: **29/410,055**

(22) Filed: **Jan. 4, 2012**

(30) **Foreign Application Priority Data**

Jul. 5, 2011 (DE) 40 2011 003 603

(51) **LOC (9) Cl.** **12-16**

(52) **U.S. Cl.** **D12/209**

(58) **Field of Classification Search** D12/204-213;
301/37.101, 64.101, 65, 64.201

See application file for complete search history.

(56) **References Cited**

U.S. PATENT DOCUMENTS

D316,073 S *	4/1991	Koch	D12/211
D375,478 S *	11/1996	Pfeiffer	D12/209
D432,479 S *	10/2000	Lee et al.	D12/209
D454,821 S *	3/2002	Pfeiffer	D12/209
D488,760 S *	4/2004	Kato	D12/209
D525,183 S *	7/2006	Pfeiffer	D12/209
D525,927 S *	8/2006	Pfeiffer	D12/209

D535,932 S *	1/2007	Lorinser	D12/209
D538,728 S *	3/2007	Pfeiffer	D12/209
D623,109 S	9/2010	Markefka		
D623,110 S	9/2010	Juergens et al.		

FOREIGN PATENT DOCUMENTS

DE	M8905980.8	4/1995
DE	M9205463.3	9/1997
EM	000901061-0001	7/2008
EM	001558883-0006	4/2010
EM	001636978-0013	11/2010
EM	001674441-0009	12/2010

* cited by examiner

Primary Examiner — Stacia Cadmus

(74) *Attorney, Agent, or Firm* — Crowell & Moring LLP

(57) **CLAIM**

The ornamental design for a wheel or wheel cover, as shown and described.

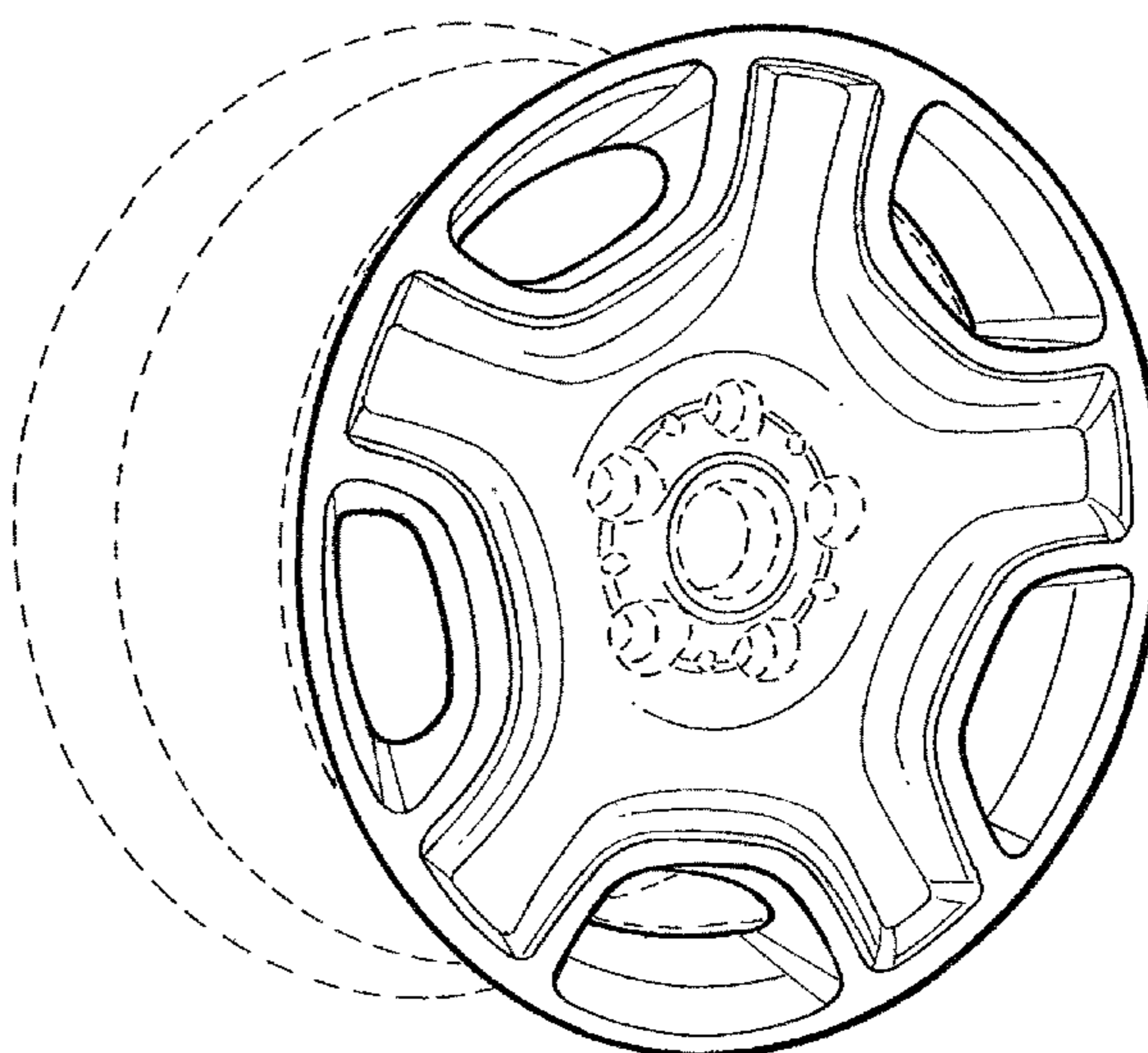
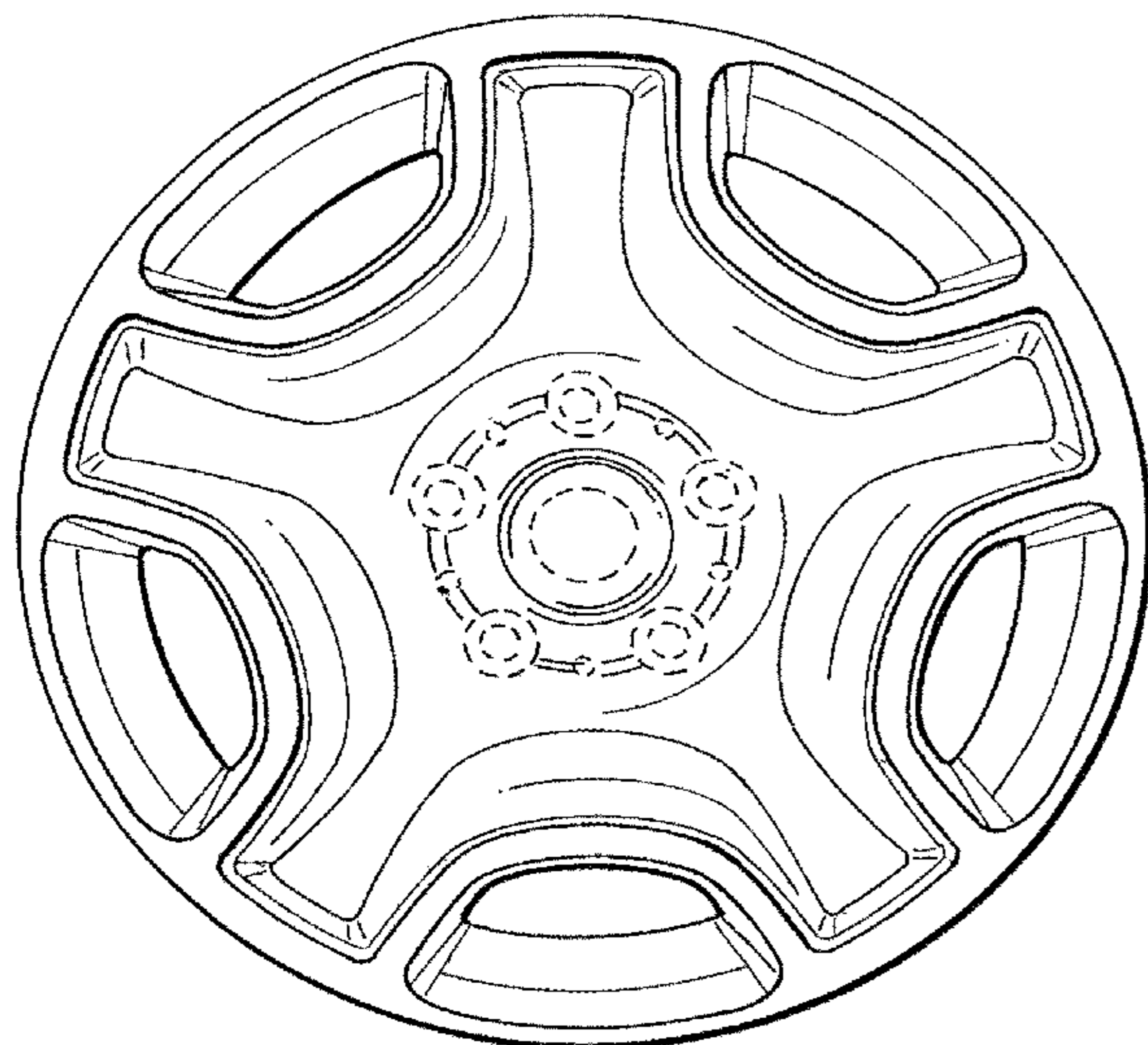
DESCRIPTION

FIG. 1 is a front view of a wheel or wheel cover according to my design; and,

FIG. 2 is a perspective view thereof.

The broken line showing of the rear of the wheel, and the bolt holes and center opening in the central hub area is included for the purpose of illustrating environment and forms no part of the claimed design.

1 Claim, 1 Drawing Sheet



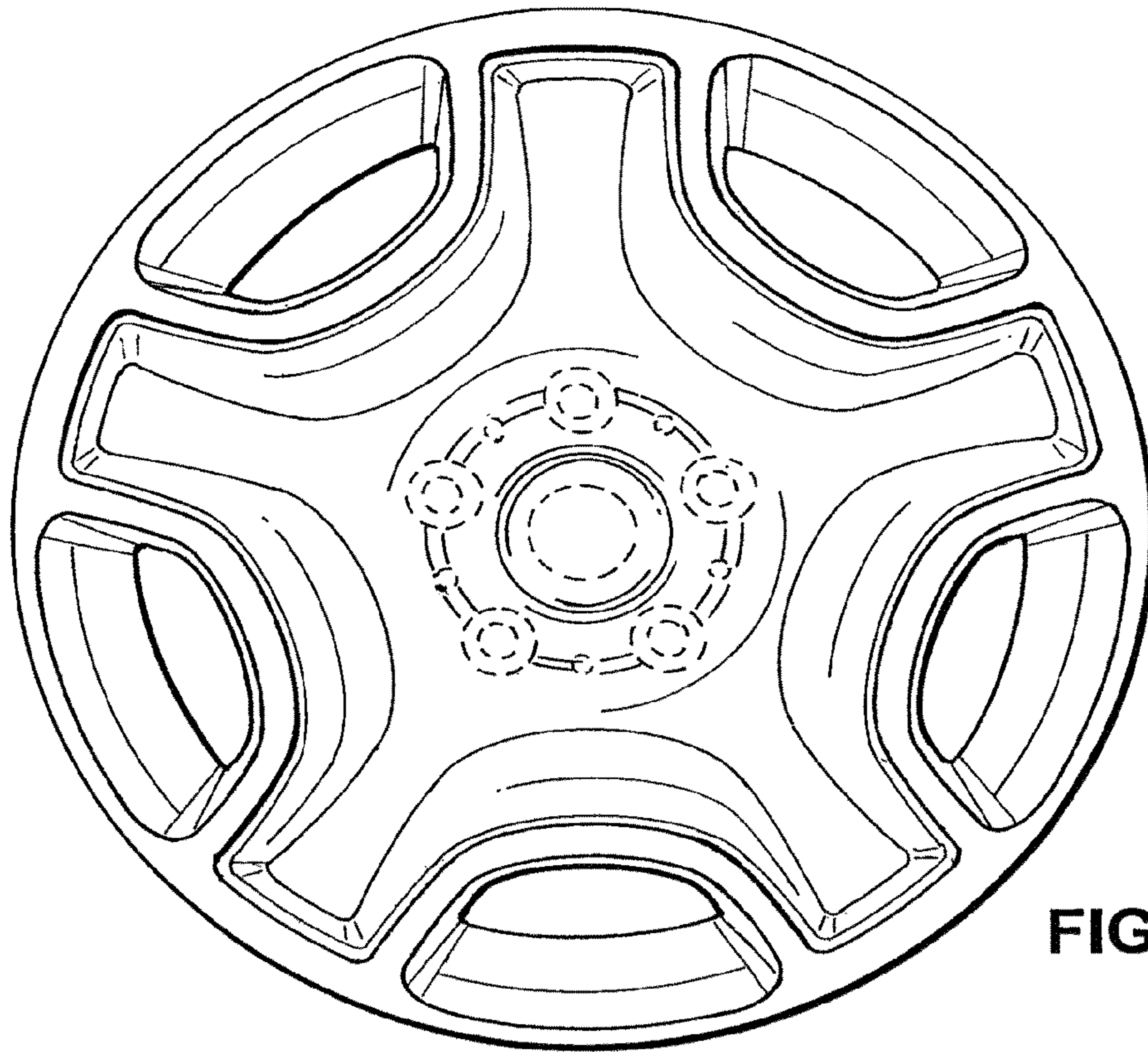


FIG. 1

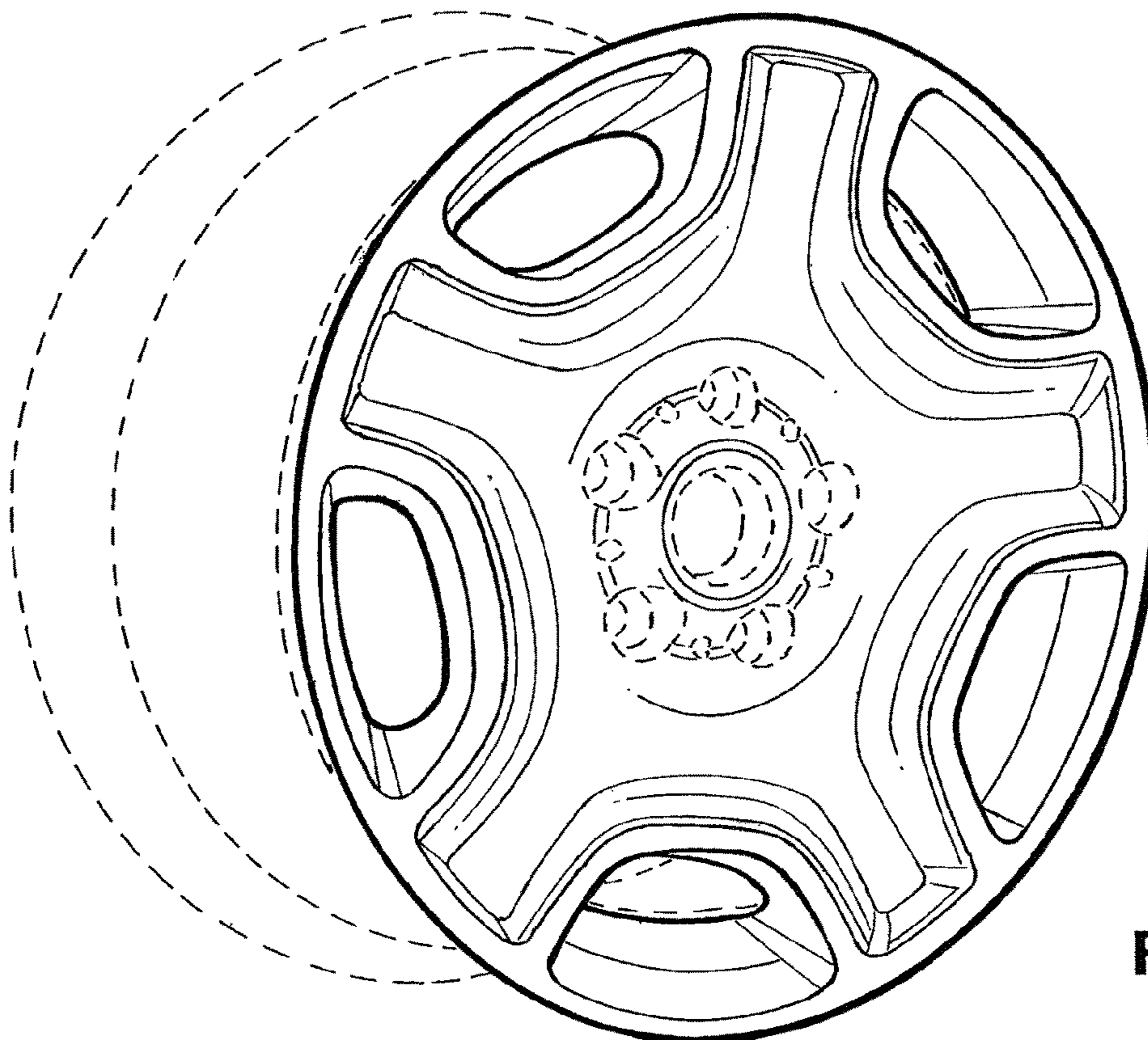


FIG. 2



US00D677610C1

(12) **EX PARTE REEXAMINATION CERTIFICATE** (10663rd)
United States Patent
Holstein

(10) **Number:** **US D677,610 C1**
(45) **Certificate Issued:** **Jul. 15, 2015**

(54) **WHEEL OR WHEEL COVER**

(75) Inventor: **Henning Holstein**, Dietersburg (DE)

(73) Assignee: **BAYERISCHE MOTOREN WERKE
AKTIENGESELLSCHAFT**, Munich
(DE)

Reexamination Request:

No. 90/012,945, Aug. 8, 2013

Reexamination Certificate for:

Patent No.: **Des. 677,610**
Issued: **Mar. 12, 2013**
Appl. No.: **29/410,055**
Filed: **Jan. 4, 2012**

(30) **Foreign Application Priority Data**

Jul. 5, 2011 (DE) 40 2011 003 603

(51) **LOC (10) Cl.** 12-16

(52) **U.S. Cl.**
USPC D12/209

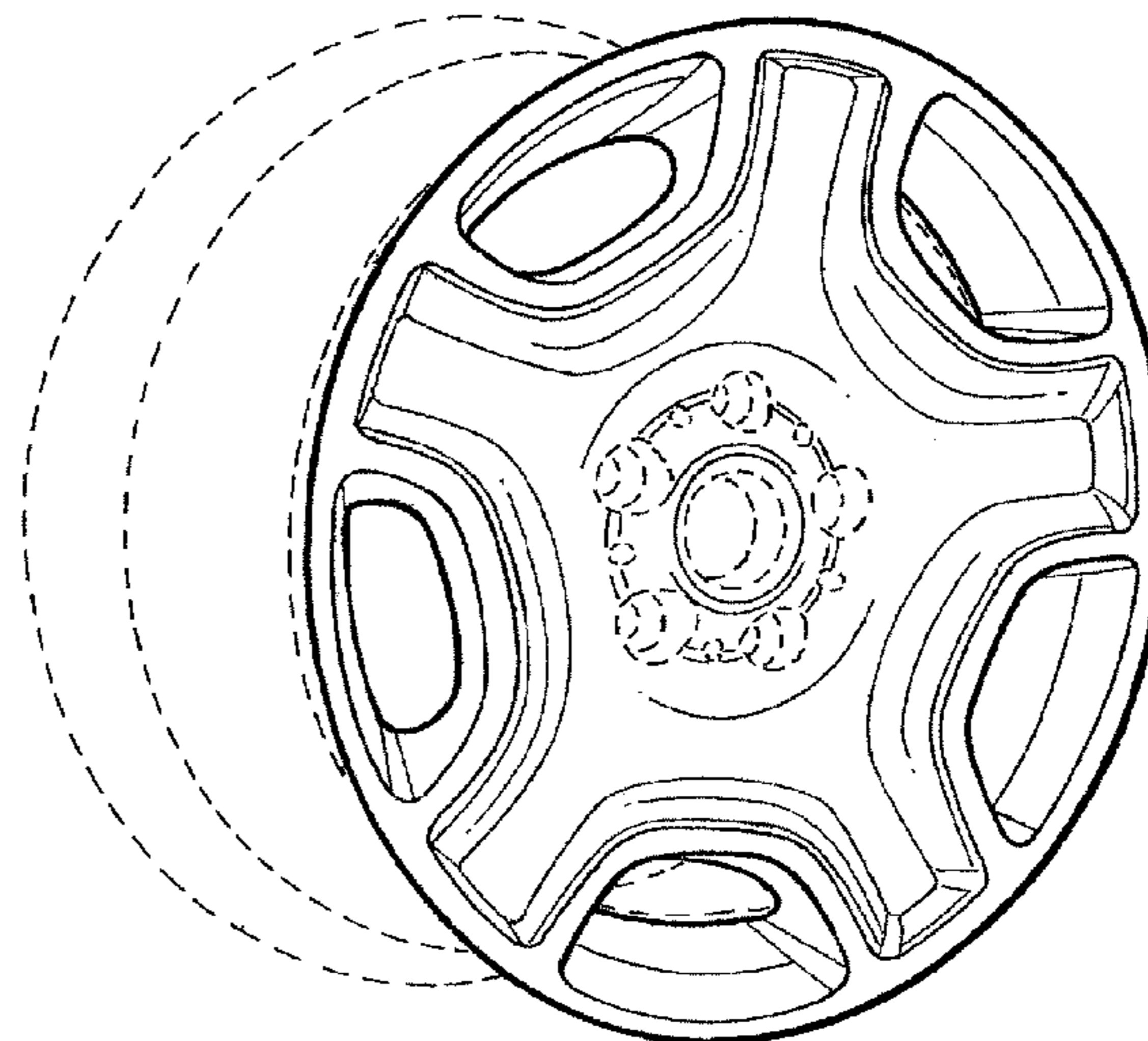
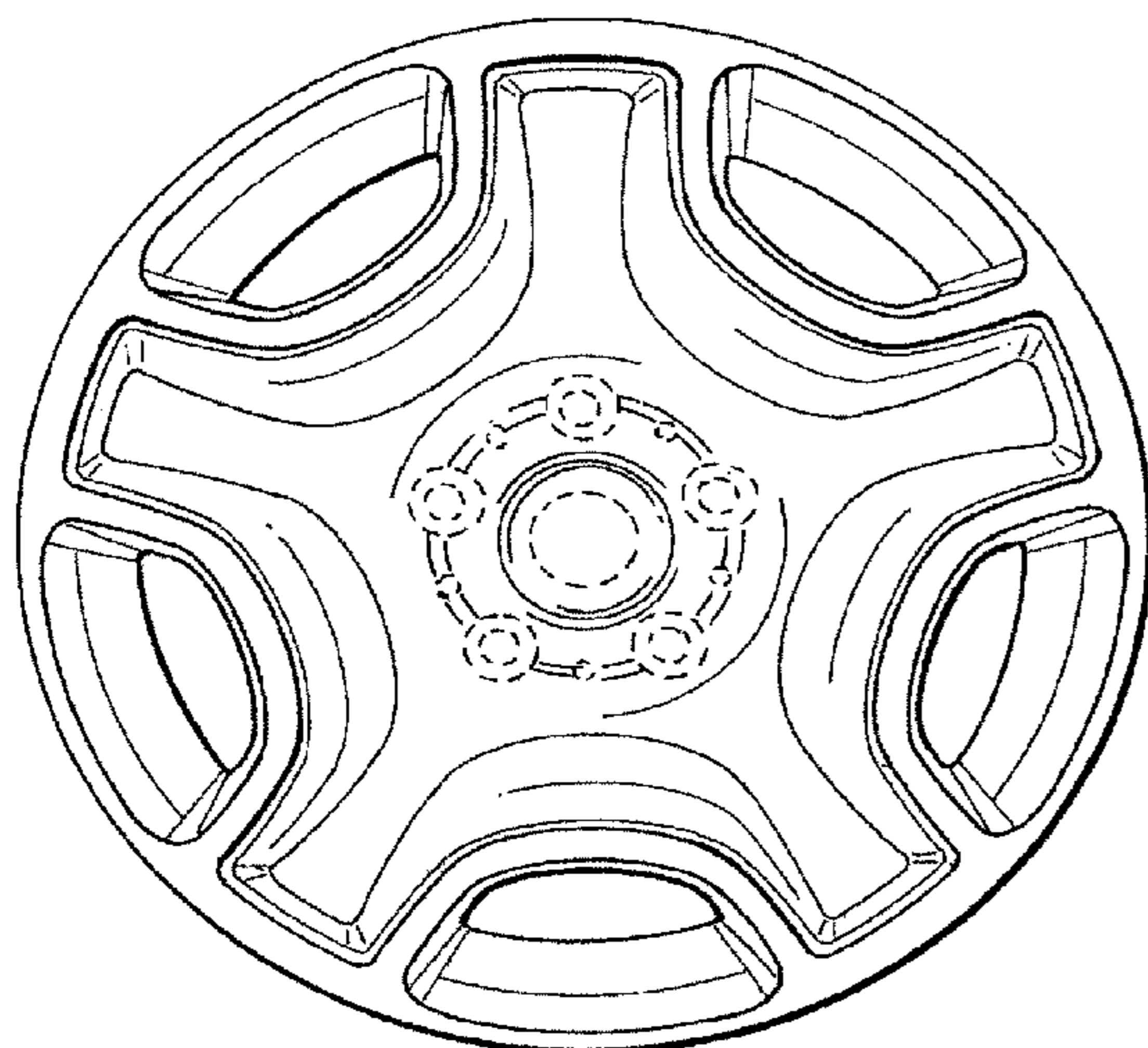
(58) **Field of Classification Search**

None
See application file for complete search history.

(56) **References Cited**

To view the complete listing of prior art documents cited during the proceeding for Reexamination Control Number 90/012,945, please refer to the USPTO's public Patent Application Information Retrieval (PAIR) system under the Display References tab.

Primary Examiner — Robert M Spear



1
EX PARTE
REEXAMINATION CERTIFICATE

NO AMENDMENTS HAVE BEEN MADE TO
THE PATENT

5

AS A RESULT OF REEXAMINATION, IT HAS BEEN
DETERMINED THAT:

The patentability of claim 1 is confirmed.

10

* * * * *