



US00D677609S

(12) **United States Design Patent**
Sabblah

(10) **Patent No.:** **US D677,609 S**
(45) **Date of Patent:** **** Mar. 12, 2013**

(54) **WHEEL**

(76) **Inventor:** **Sellassie G. K. Sabblah**, Buffalo, NY
(US)

(**) **Term:** **14 Years**

(21) **Appl. No.:** **29/395,542**

(22) **Filed:** **Feb. 13, 2012**

(51) **LOC (9) Cl.** **12-16**

(52) **U.S. Cl.** **D12/209**

(58) **Field of Classification Search** D12/204-213;
301/37.101, 64.101, 65, 64.201

See application file for complete search history.

(56) **References Cited**

U.S. PATENT DOCUMENTS

D504,095 S *	4/2005	Sabblah	D12/204
D528,957 S *	9/2006	Kim	D12/209
D531,949 S *	11/2006	Arora	D12/209

D563,856 S *	3/2008	McCowin	D12/209
D565,490 S *	4/2008	Tirado	D12/209
D567,733 S *	4/2008	Arora	D12/209
D586,283 S *	2/2009	Chung	D12/209
D612,787 S *	3/2010	Juergens et al.	D12/209
D630,564 S *	1/2011	Baum	D12/209
D655,659 S *	3/2012	Schweizer	D12/209

* cited by examiner

Primary Examiner — Stacia Cadmus

(57) **CLAIM**

The ornamental design for a wheel, as shown and described.

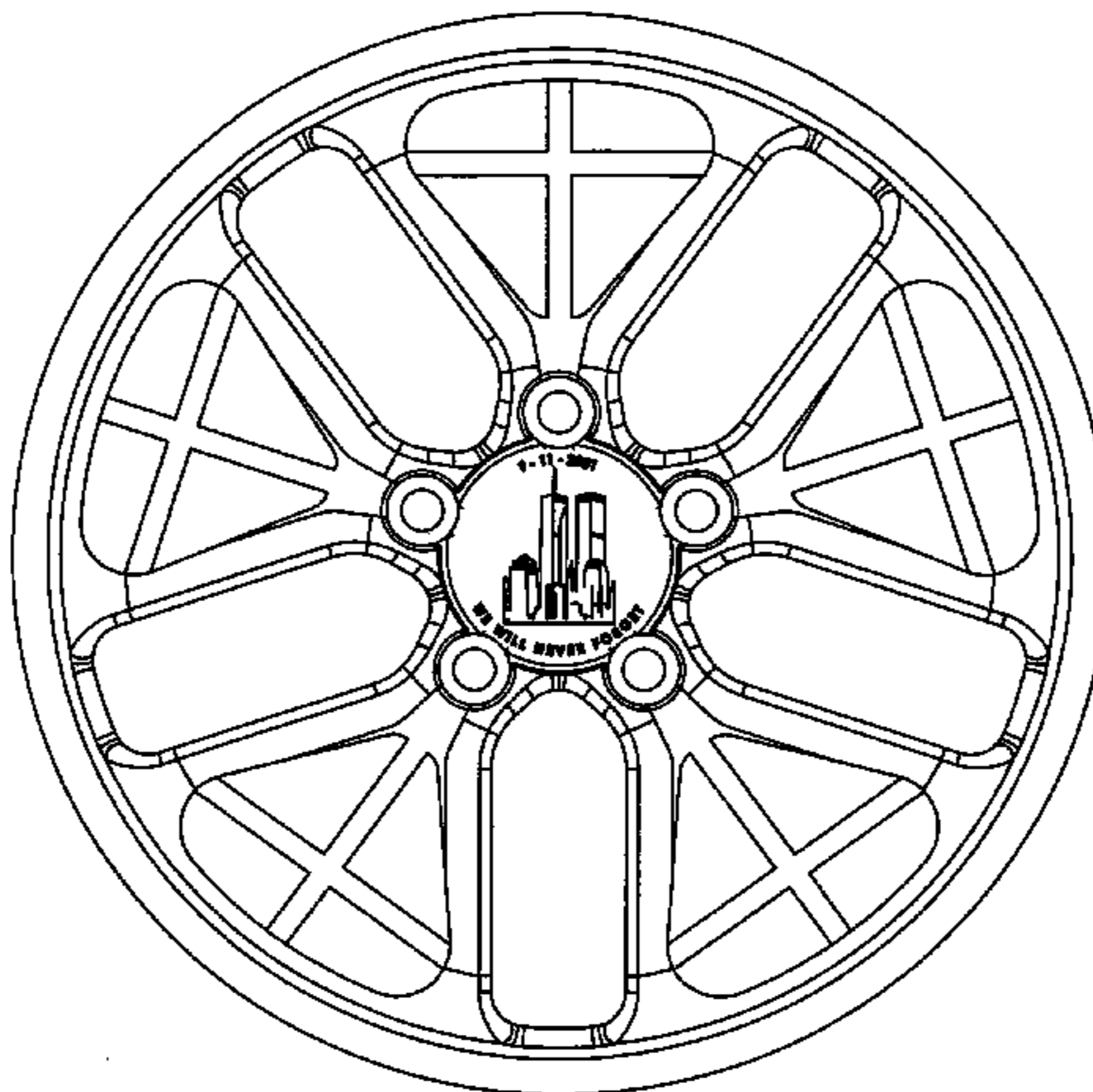
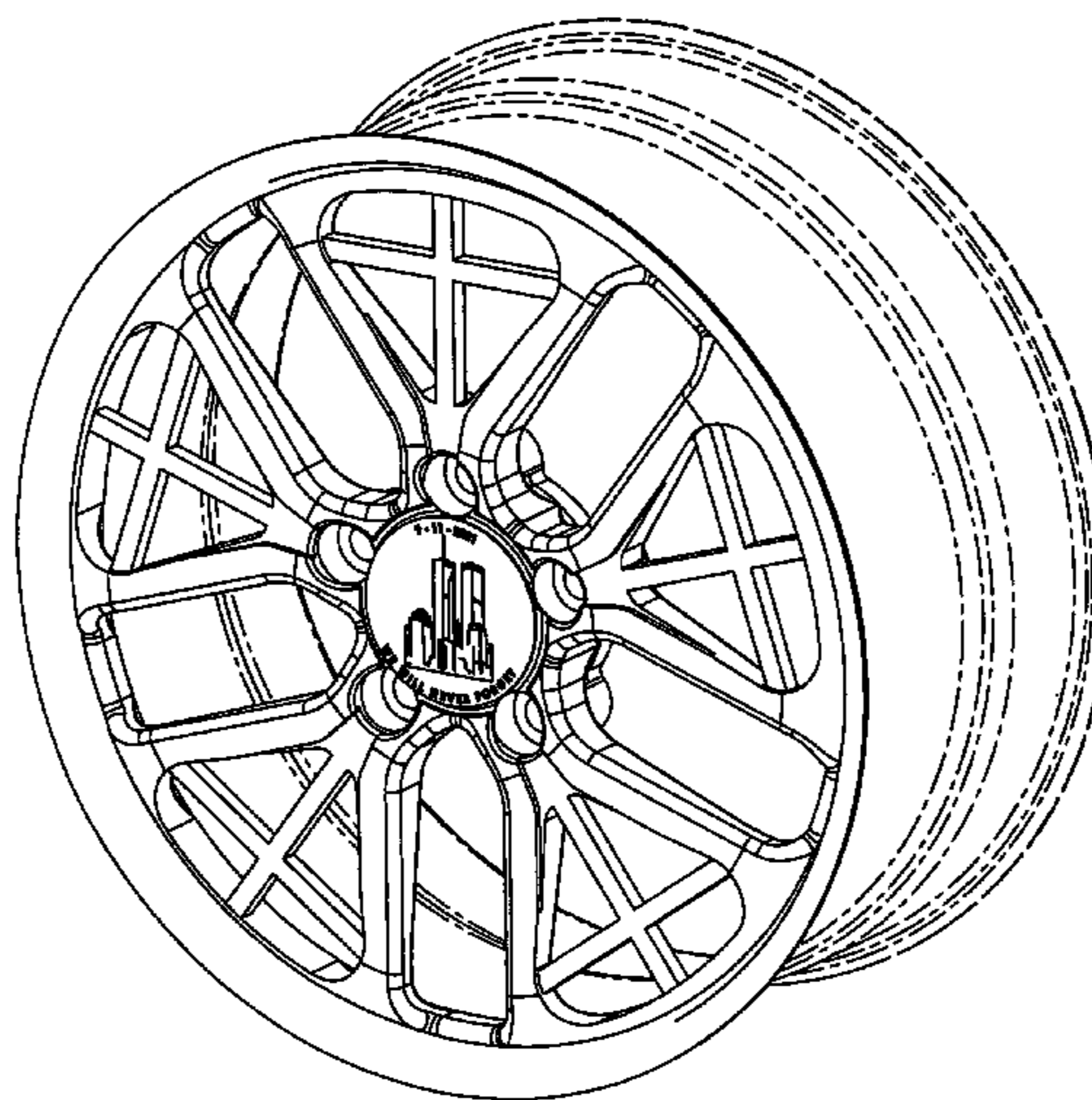
DESCRIPTION

FIG. 1 is a perspective view of a wheel, showing my new design; and,

FIG. 2 is a front view thereof.

The broken line showing of the rear of the wheel is included for the purpose of illustrating environment and forms no part of the claimed design.

1 Claim, 2 Drawing Sheets



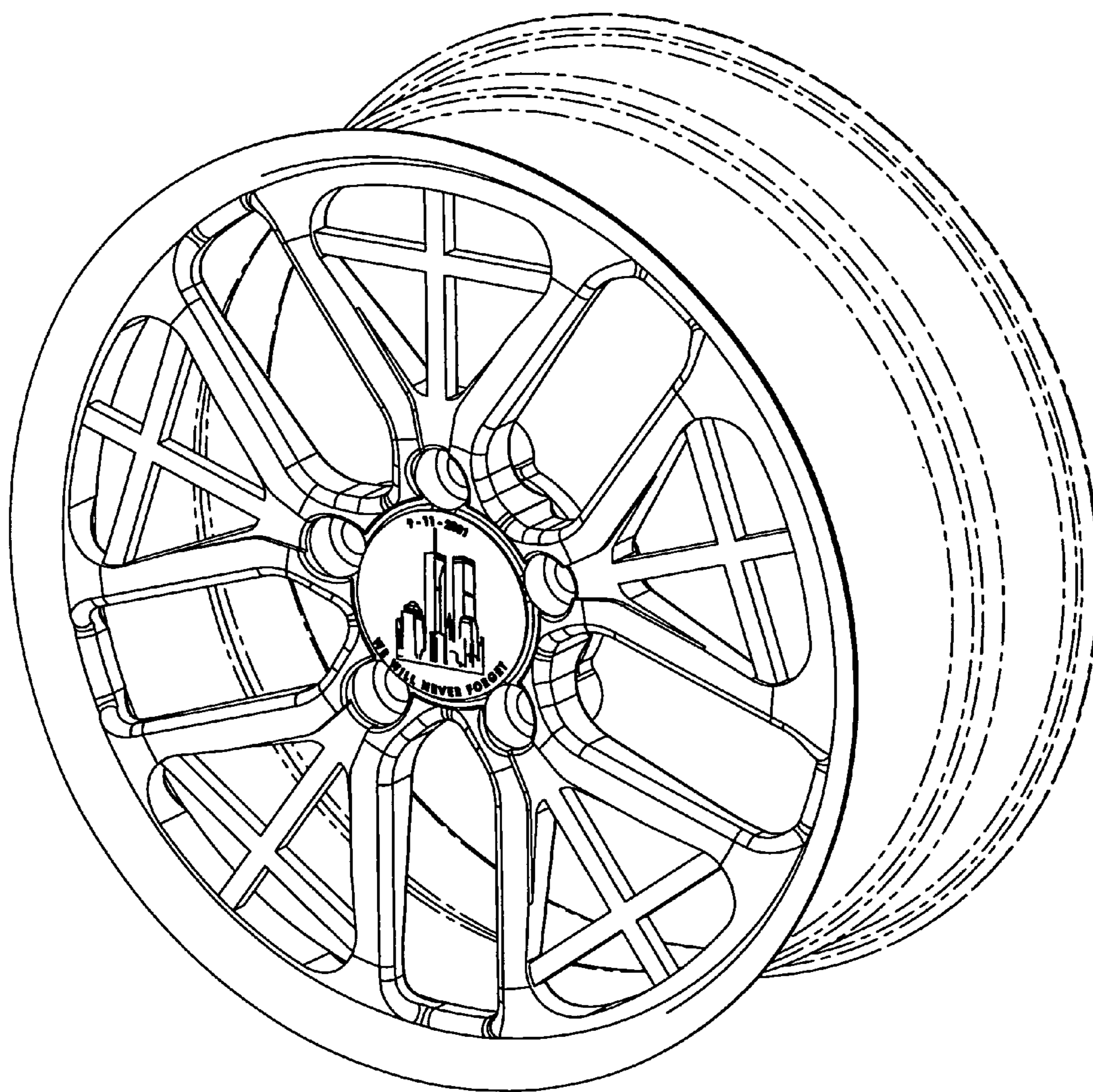


Fig. 1

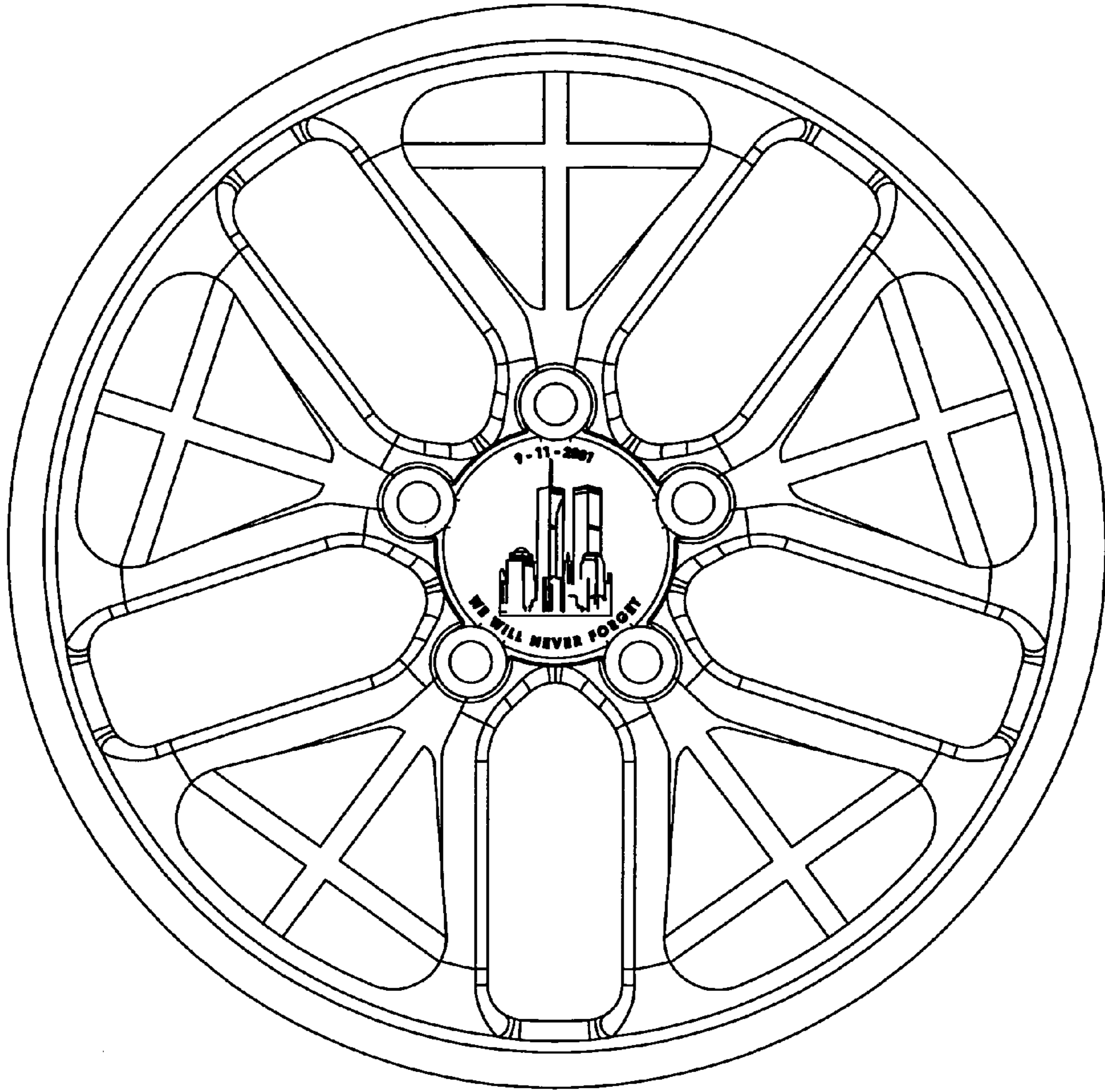


Fig. 2