



US00D677608S

(12) **United States Design Patent**  
**Kientzy**

(10) **Patent No.:** **US D677,608 S**

(45) **Date of Patent:** **\*\* Mar. 12, 2013**

(54) **SCRAPER HITCH ADAPTER**  
(76) Inventor: **Ronald E. Kientzy**, Troy, MO (US)  
(\*\*) Term: **14 Years**  
(21) Appl. No.: **29/402,166**  
(22) Filed: **Sep. 21, 2011**  
(51) **LOC (9) Cl.** ..... **12-16**  
(52) **U.S. Cl.** ..... **D12/162**  
(58) **Field of Classification Search** ..... D12/159,  
D12/160, 161, 162; 172/316, 580, 595, 640;  
280/508, 514  
See application file for complete search history.

5,769,559	A *	6/1998	Olson	.....	403/322.1
5,921,699	A *	7/1999	Olson	.....	403/322.1
6,217,054	B1	4/2001	Klimek et al.		
6,619,687	B2 *	9/2003	Goby	.....	280/508
7,416,206	B2 *	8/2008	Buerkle	.....	280/515
7,441,793	B1	10/2008	Lim		
7,478,823	B2 *	1/2009	Doubet et al.	.....	280/515
2006/0087101	A1	4/2006	Yon		
2009/0058042	A1	3/2009	Tveito et al.		
2010/0207360	A1 *	8/2010	Columbia	.....	280/504

**FOREIGN PATENT DOCUMENTS**

JP 06087308 A \* 3/1994

\* cited by examiner

*Primary Examiner* — Michael A Pratt

(74) *Attorney, Agent, or Firm* — Grace J. Fishel

(56) **References Cited**

**U.S. PATENT DOCUMENTS**

2,482,907	A *	9/1949	Hagen	.....	411/341
2,522,215	A *	9/1950	Du Shane	.....	280/515
2,531,559	A	11/1950	Deviley		
2,654,613	A	10/1953	Blair et al.		
2,668,723	A *	2/1954	Krefting	.....	280/515
2,805,082	A	9/1957	Erickson		
3,046,037	A *	7/1962	Cain	.....	280/477
3,146,003	A *	8/1964	De Ronde	.....	280/515
3,843,160	A	10/1974	Frushour et al.		
4,077,234	A *	3/1978	Crochet, Sr.	.....	464/119
4,176,852	A	12/1979	Collin		
4,403,670	A *	9/1983	Sammarco	.....	180/14.1
4,697,818	A	10/1987	Moore		
D296,886	S	7/1988	Young, Jr.		
5,109,931	A	5/1992	Goll		
5,183,284	A *	2/1993	Paplinski	.....	280/508
5,193,625	A	3/1993	Goll		
D369,580	S	5/1996	Hartwig		
5,671,938	A	9/1997	Olson		
5,722,678	A	3/1998	Hunger		

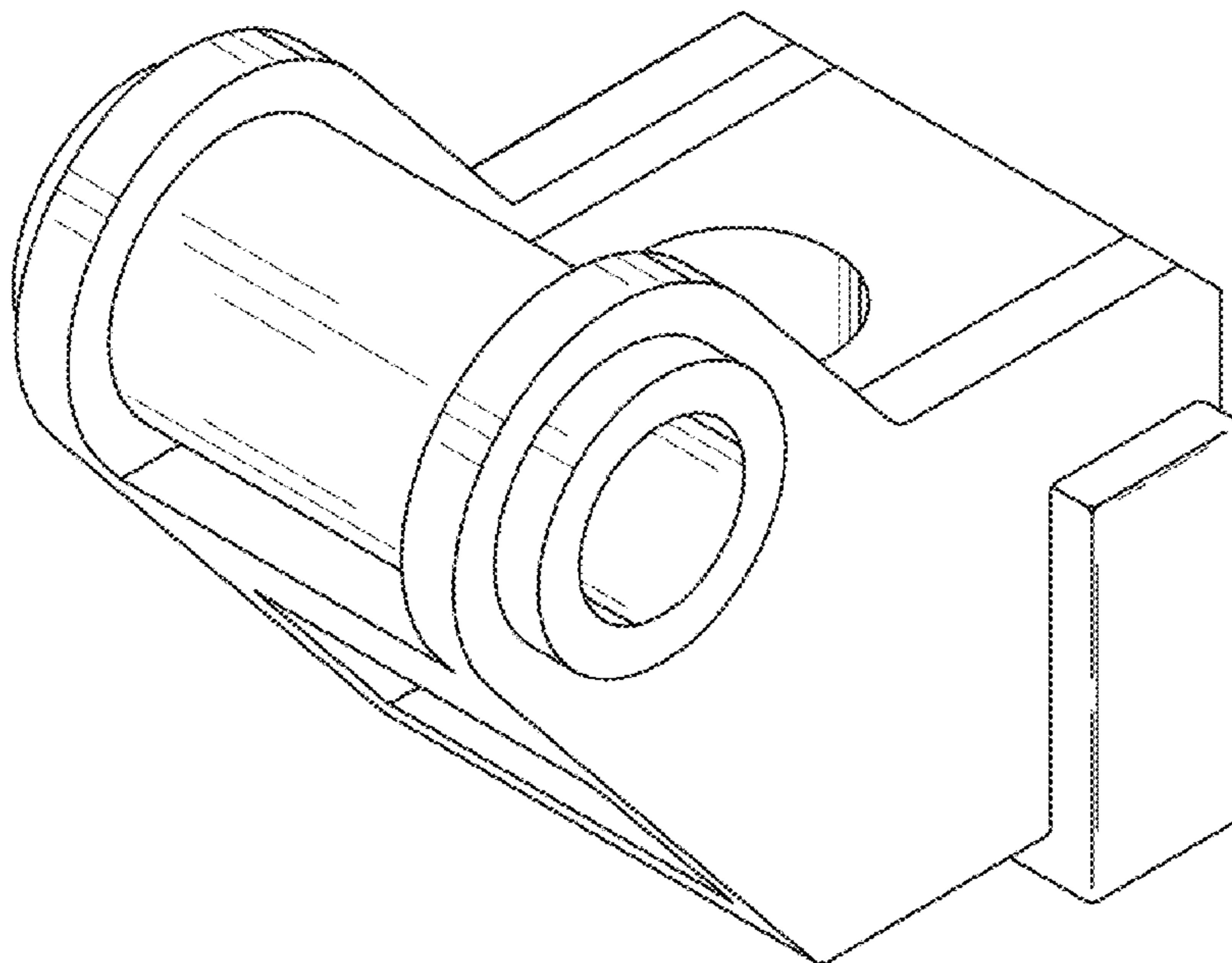
(57) **CLAIM**

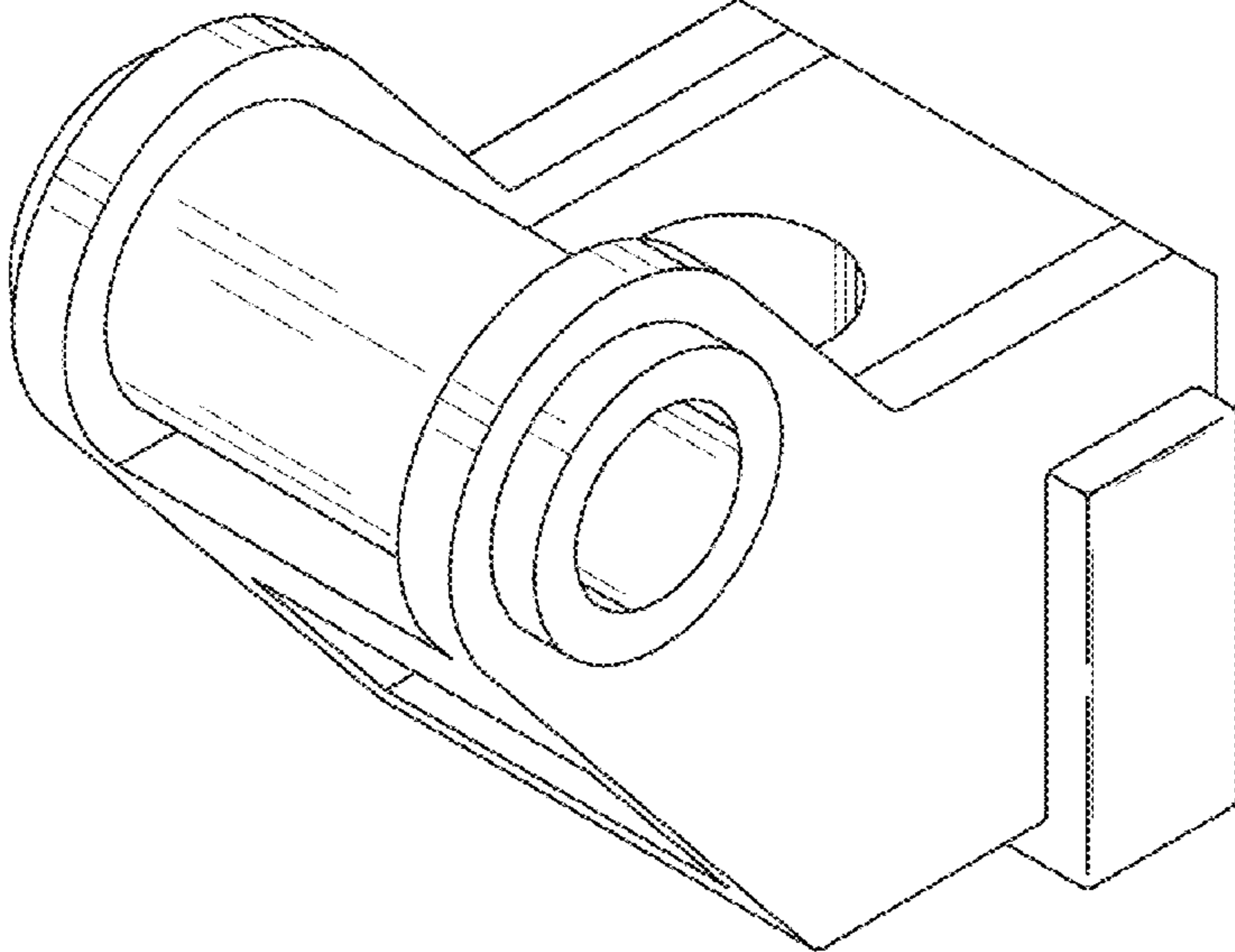
The ornamental design for a scraper hitch adapter, as shown.

**DESCRIPTION**

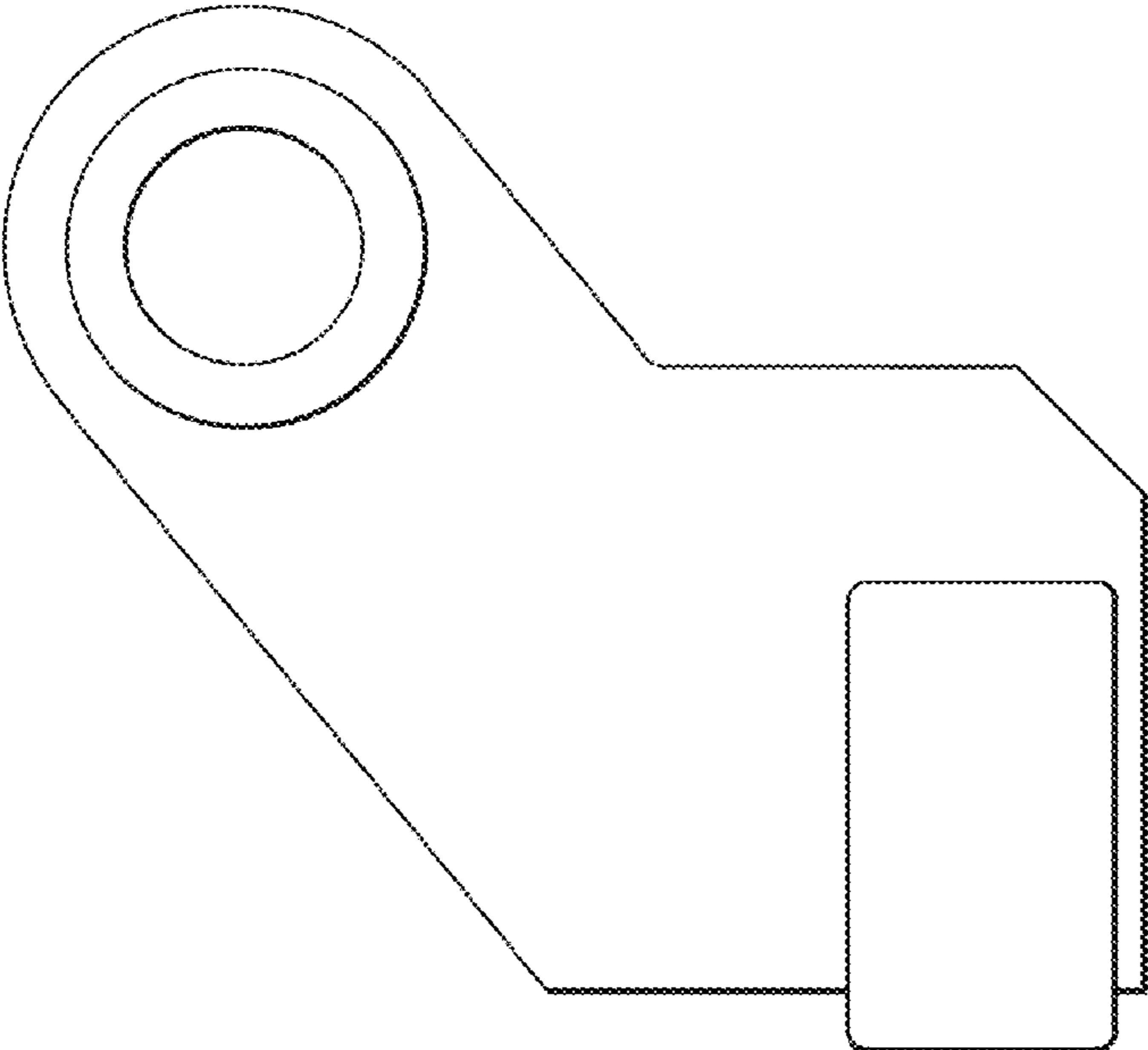
FIG. 1 is a perspective view of a scraper hitch adapter showing my new design in use;  
FIG. 2 is a right side view thereof, the opposite side being a mirror image;  
FIG. 3 is a top view thereof;  
FIG. 4 is a rear view thereof;  
FIG. 5 is a front view thereof; and,  
FIG. 6 is a bottom view thereof.  
The hammer strap and draw bar shown in broken lines in FIG. 1 denote the nature and environmental use of the design and are not part of the design.

**1 Claim, 2 Drawing Sheets**





*Fig. 1*



*Fig. 2*

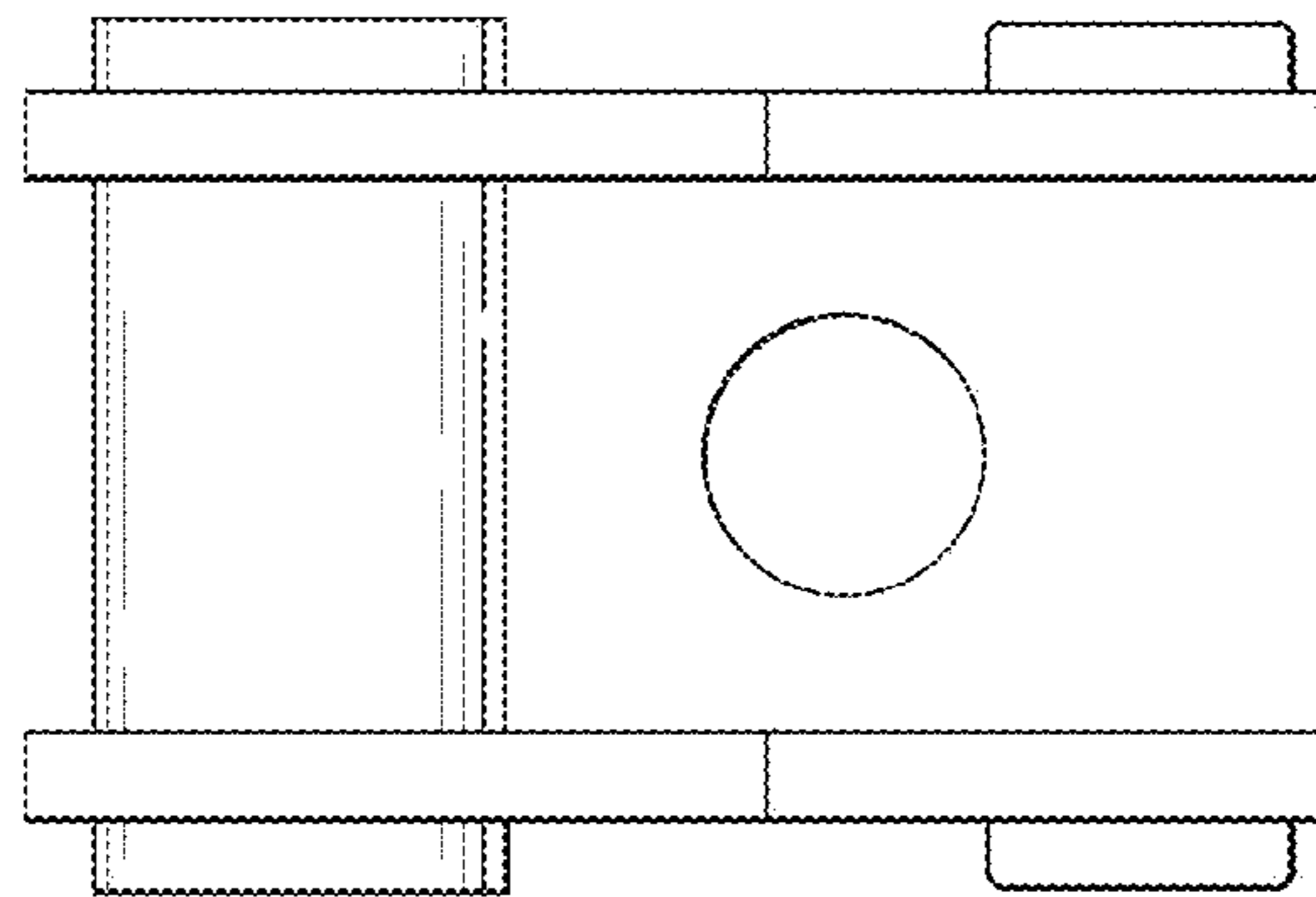


Fig. 3

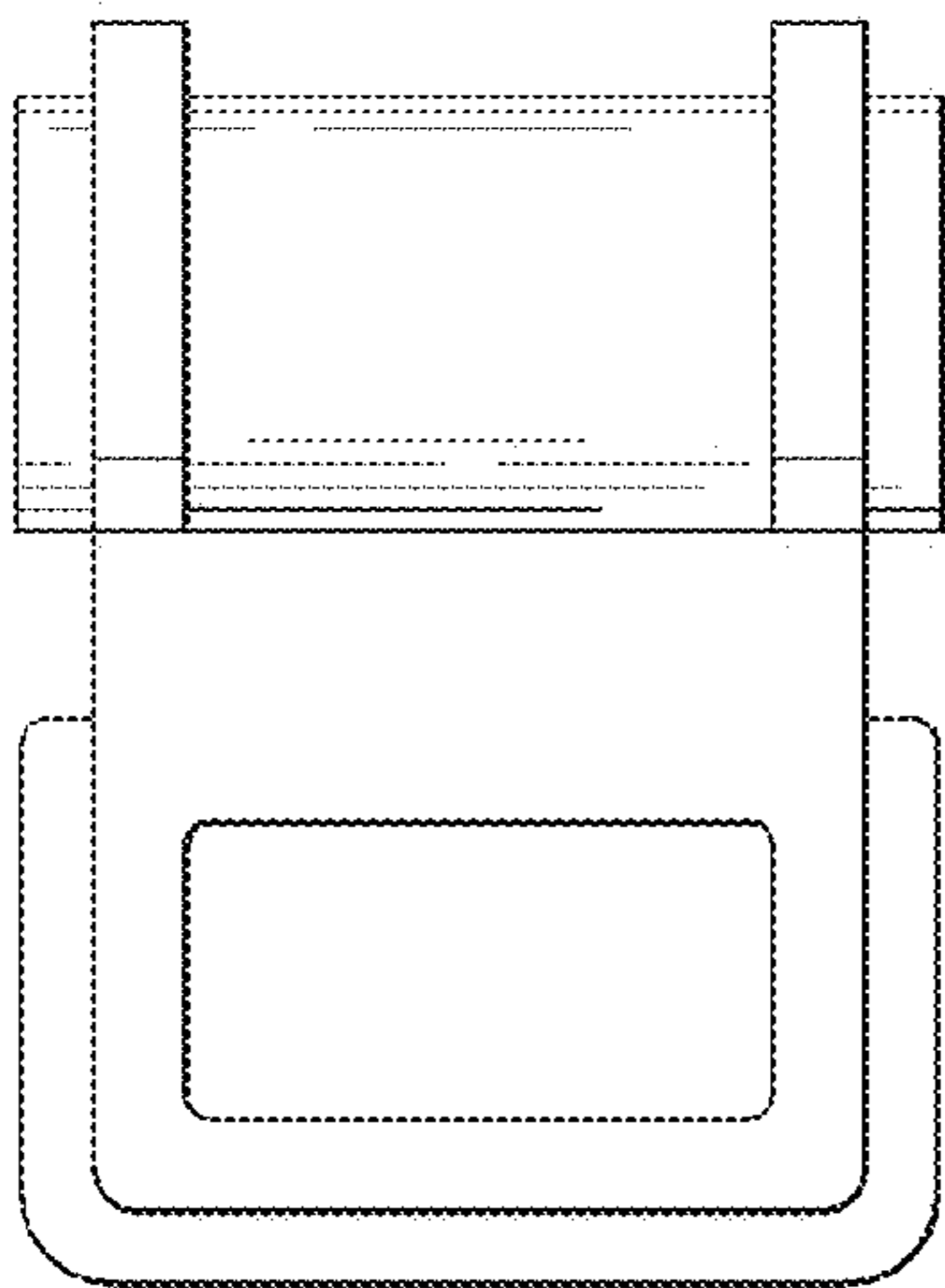


Fig. 4

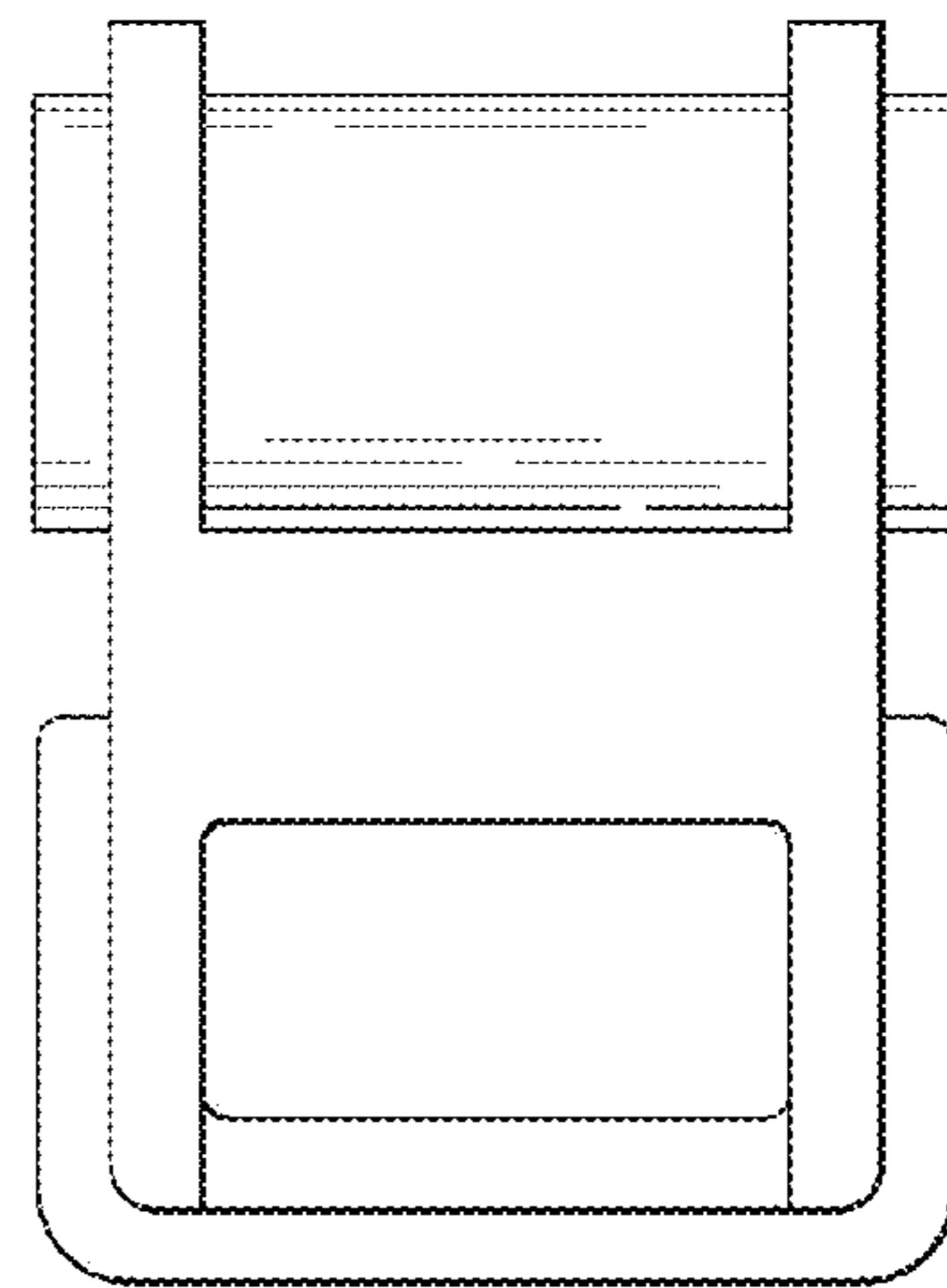


Fig. 5

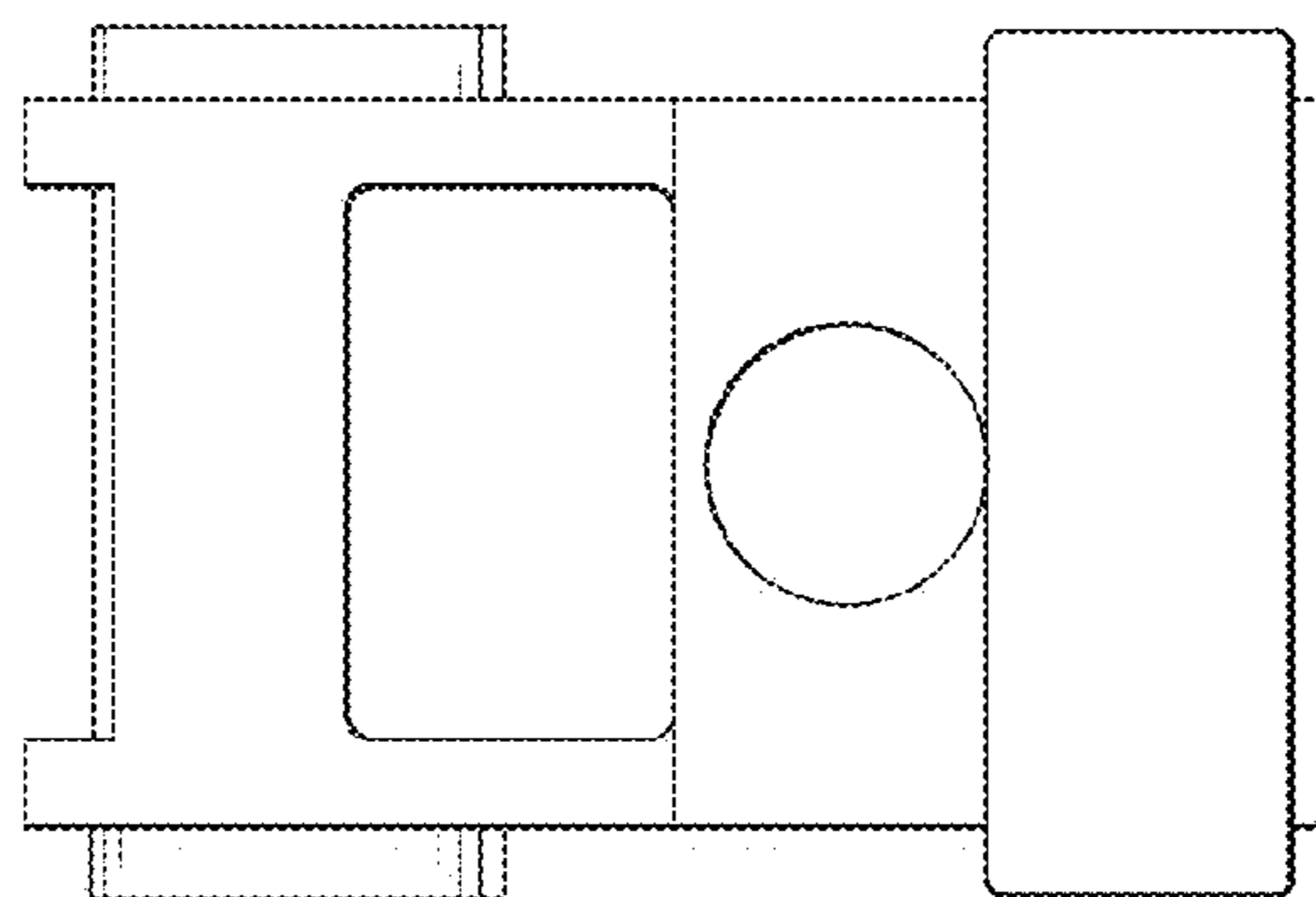


Fig. 6