



US00D677607S

(12) **United States Design Patent**  
**Moriyama et al.**

(10) **Patent No.:** **US D677,607 S**  
(45) **Date of Patent:** **\*\* Mar. 12, 2013**

(54) **VEHICLE SUSPENSION**  
(75) Inventors: **Tomoyuki Moriyama**, Mooka (JP);  
**Minoru Tazawa**, Ageo (JP); **Masayoshi**  
**Kawada**, Kawasaki (JP)

3,851,567 A \* 12/1974 Thompson ..... 92/42  
4,856,626 A \* 8/1989 Nakanishi ..... 188/371  
4,974,820 A \* 12/1990 Nakanishi ..... 267/152  
5,219,051 A \* 6/1993 Davis ..... 188/378  
D605,984 S \* 12/2009 Noble et al. .... D12/159

(73) Assignees: **Komatsu Ltd.**, Tokyo (JP); **Bridgestone**  
**Corporation**, Tokyo (JP)

FOREIGN PATENT DOCUMENTS  
JP 62261728 A \* 11/1987  
JP 2007-333052 A 12/2007

(\*\*) Term: **14 Years**

\* cited by examiner

(21) Appl. No.: **29/381,830**

*Primary Examiner* — Michael Pratt  
(74) *Attorney, Agent, or Firm* — Fish & Richardson P.C.

(22) Filed: **Dec. 23, 2010**

(57) **CLAIM**  
The ornamental design for a vehicle suspension, as shown and described.

(30) **Foreign Application Priority Data**

Jun. 30, 2010 (JP) ..... 2010-016136

(51) **LOC (9) Cl.** ..... **12-16**

(52) **U.S. Cl.** ..... **D12/159**

(58) **Field of Classification Search** ..... D22/118,  
D22/159-161, 400; 280/124.155, 124.147,  
280/124.145, 124.146, 86.752, 11.225; 188/281,  
188/298, 297, 315, 316, 274, 286; 267/195,  
267/136, 64.15, 217; 464/173; D21/76;  
293/134

See application file for complete search history.

(56) **References Cited**

U.S. PATENT DOCUMENTS

1,744,241 A \* 1/1930 Pierle ..... 188/71.5  
2,731,259 A \* 1/1956 Dentler ..... 267/141.1  
2,916,307 A \* 12/1959 Peters ..... 285/9.2  
3,574,408 A \* 4/1971 Ronning ..... 301/132  
3,599,955 A \* 8/1971 Yew ..... 267/44

**DESCRIPTION**

FIG. 1 is a perspective view of a vehicle suspension showing our new design;  
FIG. 2 is a front view thereof, the rear view being identical to the front view;  
FIG. 3 is a top plan view thereof;  
FIG. 4 is a bottom plan view thereof;  
FIG. 5 is a right side view thereof, the left side view being identical to the right side view;  
FIG. 6 is a cross-sectional view taken along line 6-6 in FIG. 2;  
FIG. 7 is a cross-sectional view taken along line 7-7 in FIG. 3; and,  
FIG. 8 is a cross-sectional view taken along line 8-8 in FIG. 3. The broken lines are shown for illustrative purposes only and form no part of the claimed design. The dot-dashed lines denote the boundary of the claim and form no part of the claimed design.

**1 Claim, 8 Drawing Sheets**

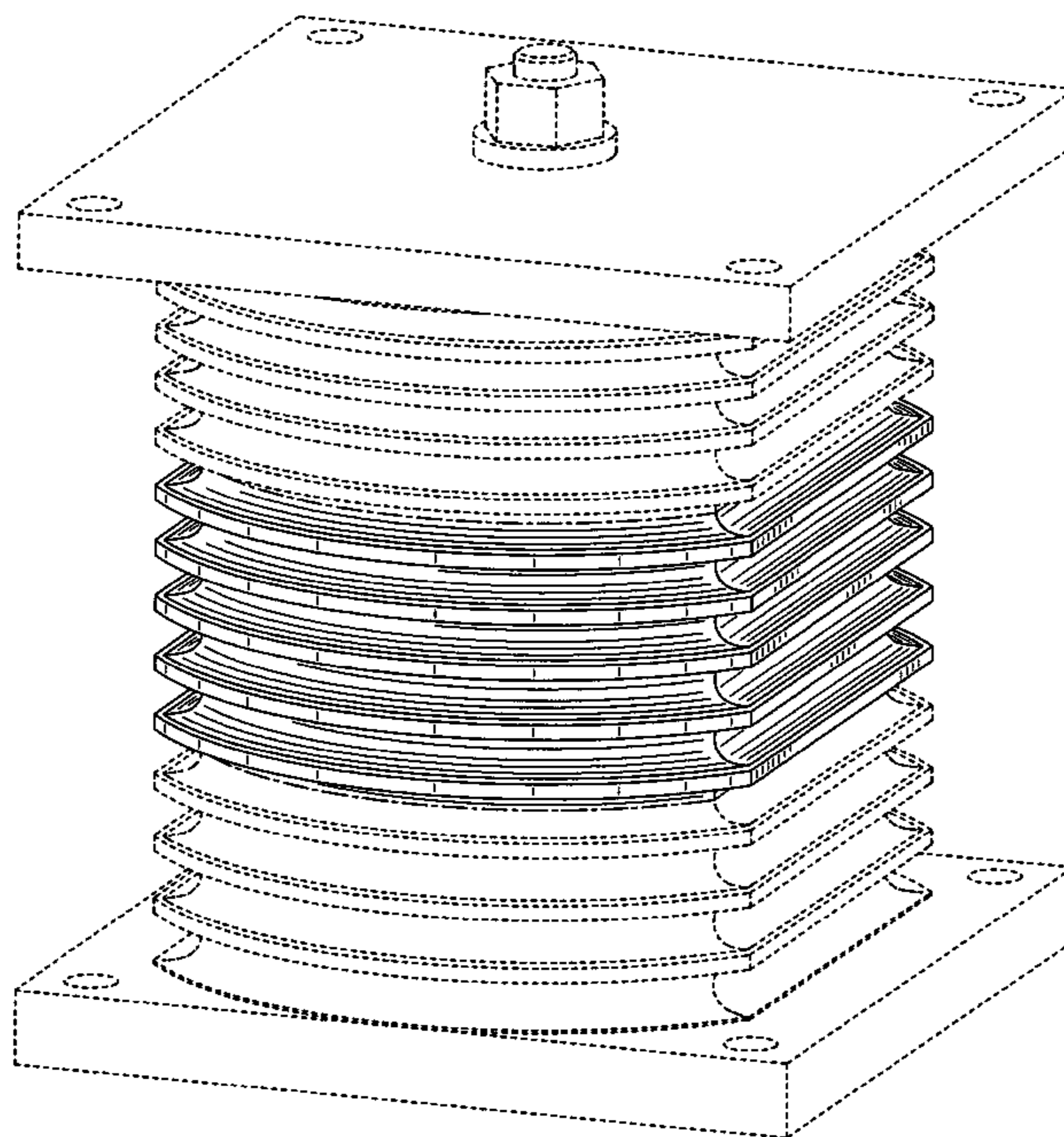


Fig. 1

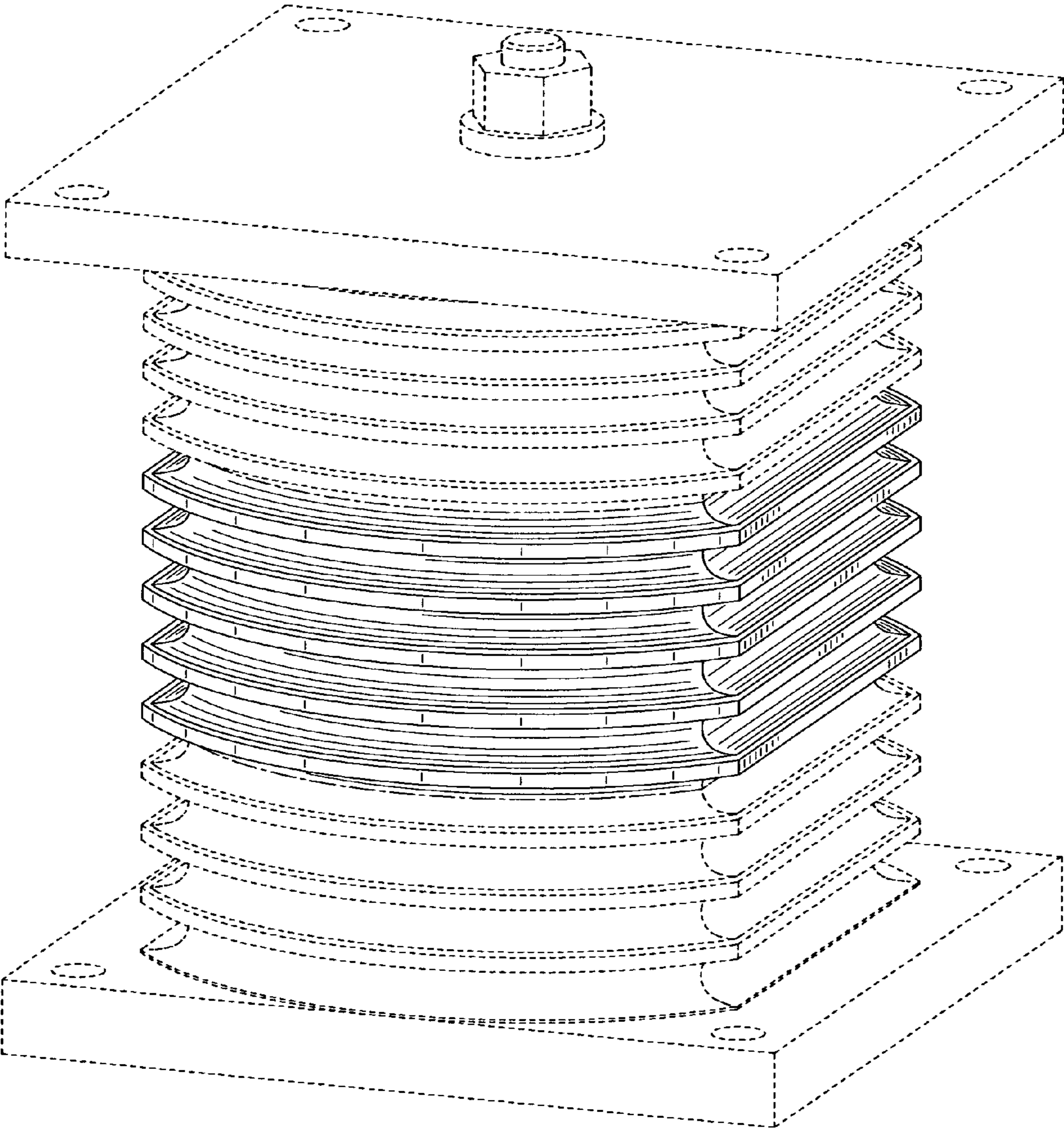


Fig. 2

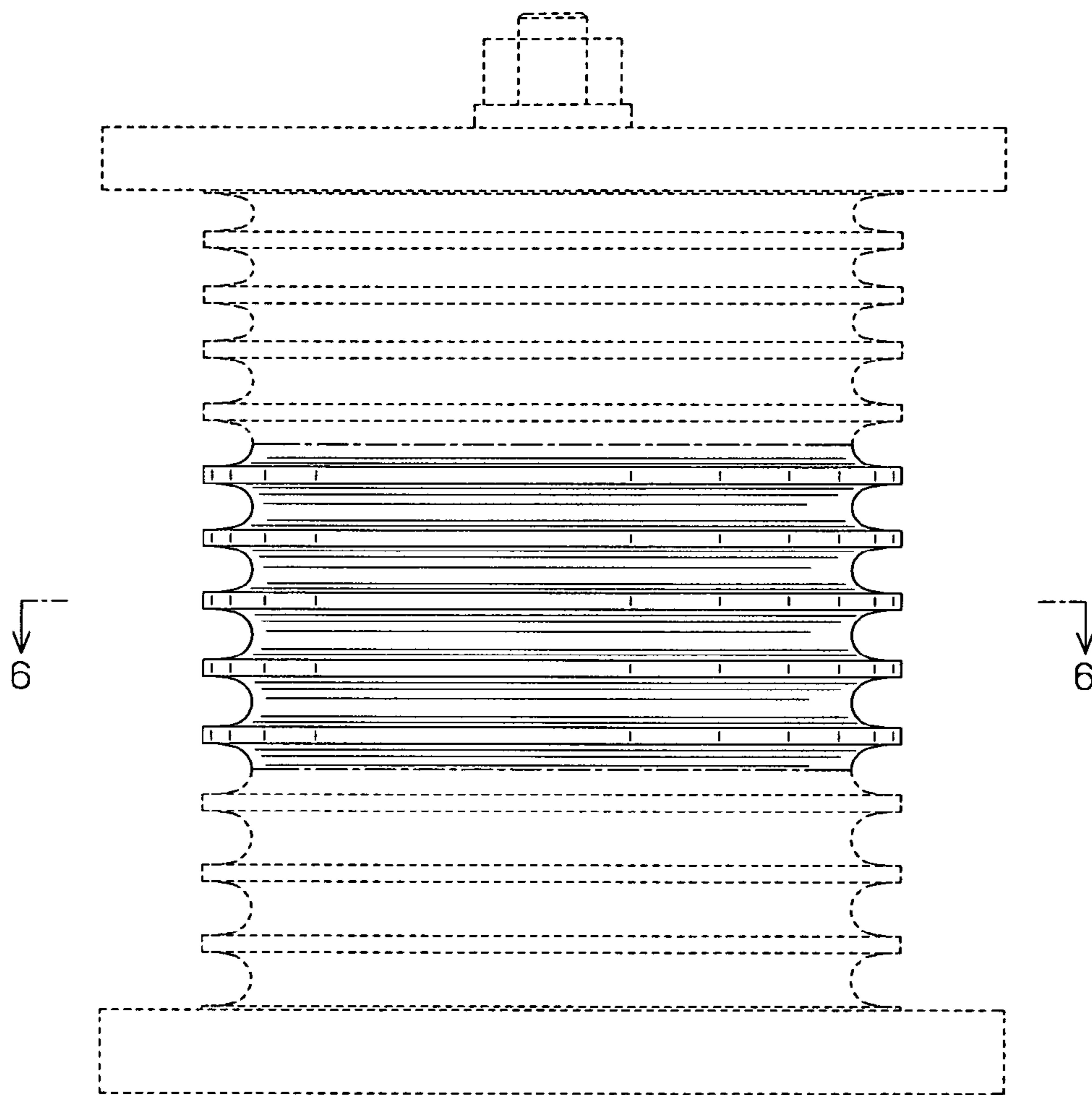


Fig. 3

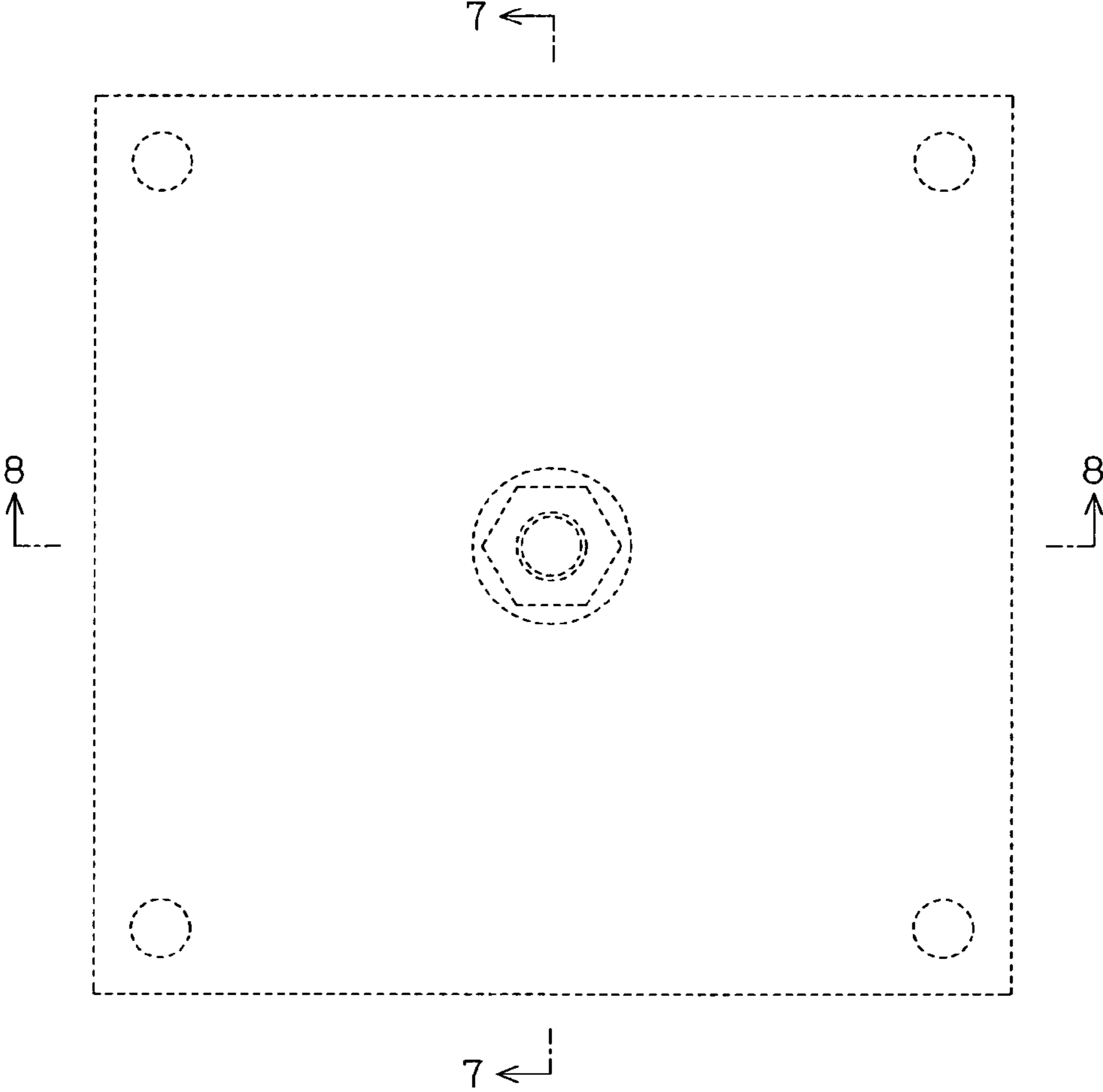


Fig. 4

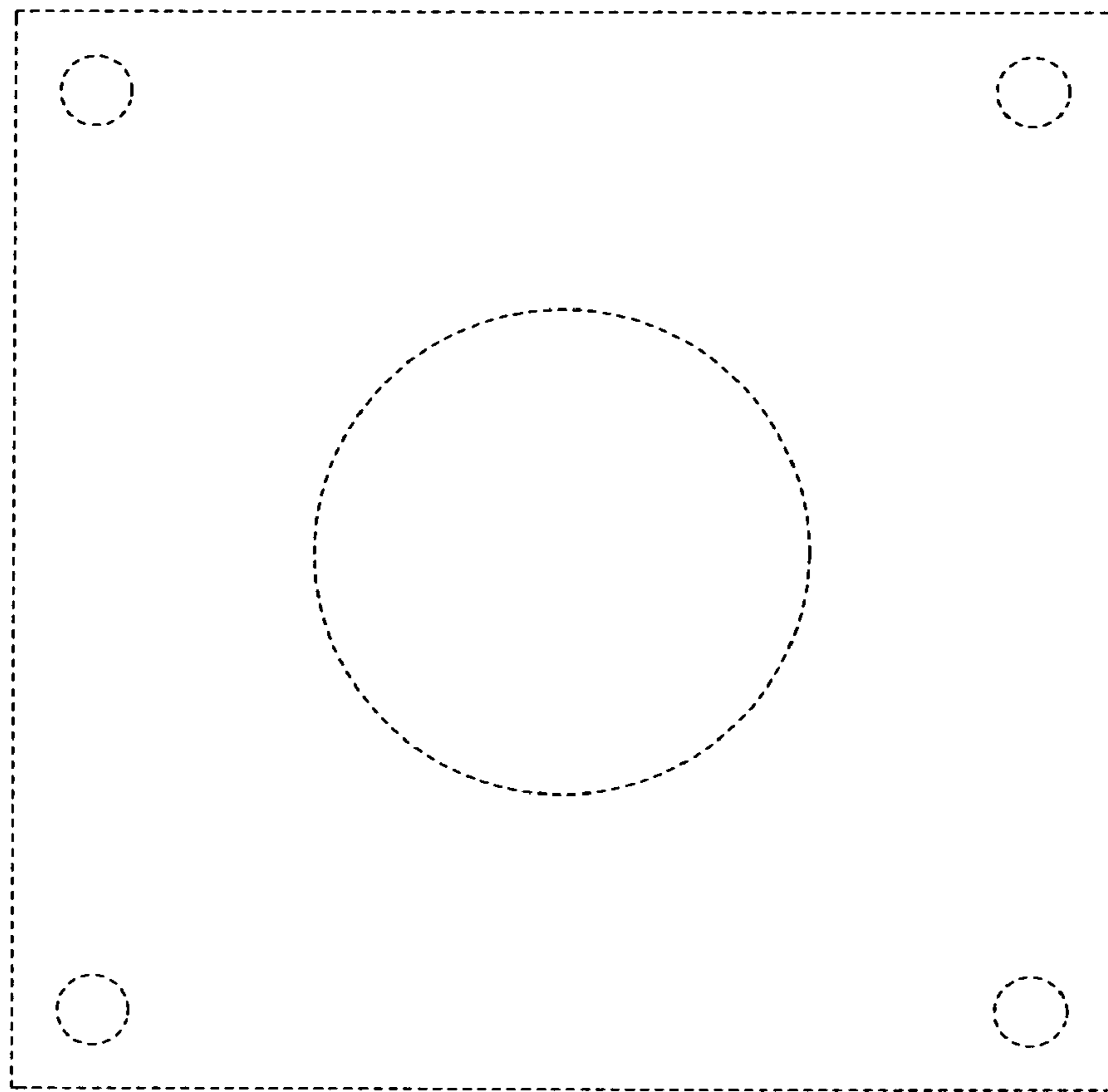


Fig. 5

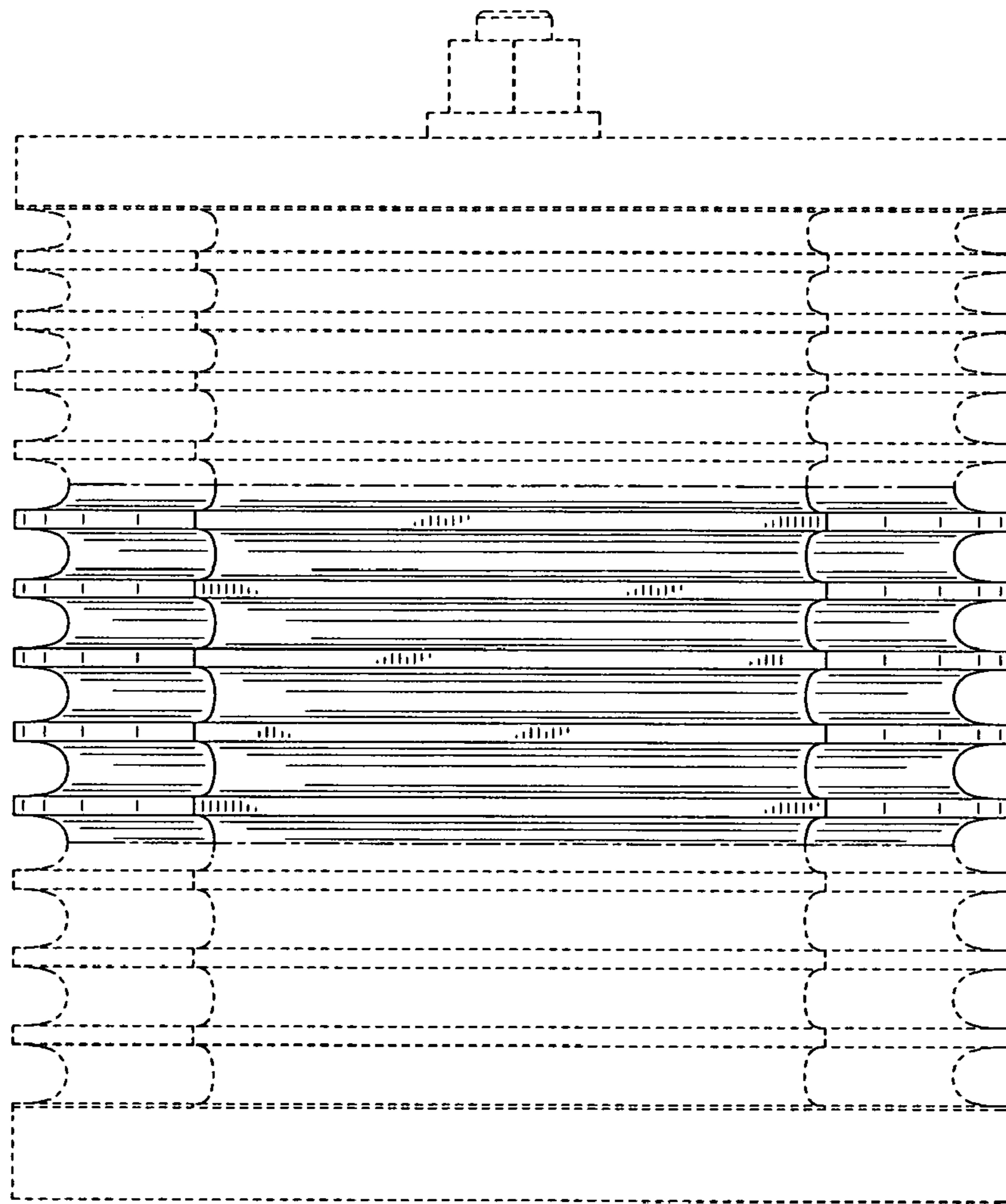


Fig. 6

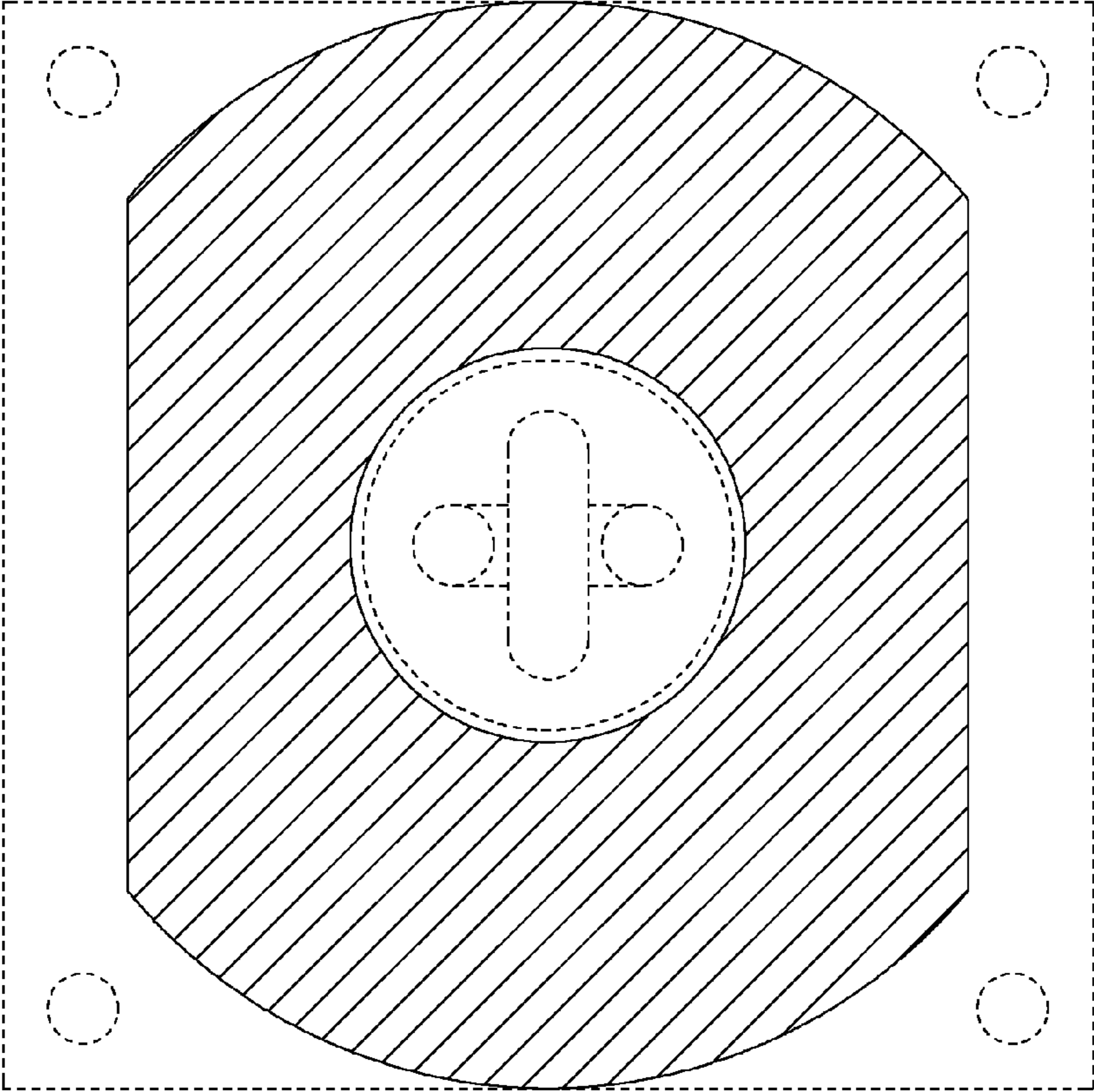


Fig. 7

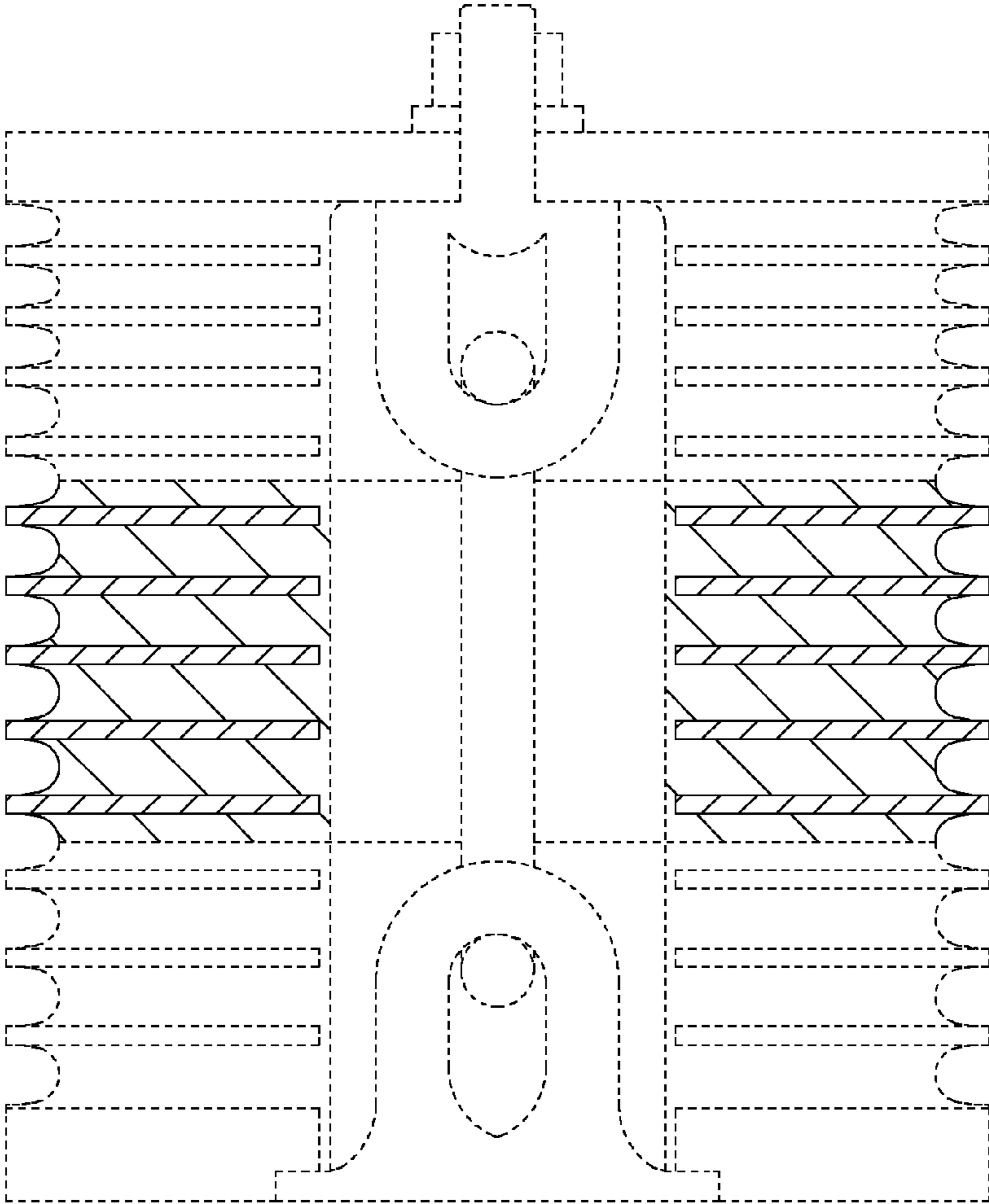




Fig. 8

