



US00D677606S

(12) **United States Design Patent**
Akre

(10) **Patent No.:** **US D677,606 S**
(45) **Date of Patent:** **** Mar. 12, 2013**

(54) **WHEELCHAIR**

(75) Inventor: **Morten Akre**, Gamle Fredrikstad (NO)

(73) Assignee: **Easy Roller AS**, Hemnesberget (NO)

(**) Term: **14 Years**

(21) Appl. No.: **29/369,354**

(22) Filed: **Sep. 7, 2010**

(30) **Foreign Application Priority Data**

Mar. 4, 2010 (NO) DS20100108

(51) **LOC (9) Cl.** **12-12**

(52) **U.S. Cl.** **D12/131**

(58) **Field of Classification Search** D12/128-133;
280/62, 647-650, 29, 200, 47.38, 250.1,
280/259, 642, 658; 296/65.03, 65.04; 224/409;
297/DIG. 4

See application file for complete search history.

(56) **References Cited**

U.S. PATENT DOCUMENTS

D305,318 S * 1/1990 Danecker D12/131
D313,382 S * 1/1991 Ahlbertz D12/131
D321,335 S * 11/1991 Aoki et al. D12/131
D321,992 S * 12/1991 Butler D6/356

5,116,067 A * 5/1992 Johnson 280/7.14
D382,917 S * 8/1997 Brodoski D21/425
D401,191 S * 11/1998 Gagnon D12/131
6,786,496 B2 * 9/2004 Ward et al. 280/250.1

* cited by examiner

Primary Examiner — Ian Simmons

Assistant Examiner — Charles Hanson

(74) *Attorney, Agent, or Firm* — Birch, Stewart, Kolasch & Birch, LLP

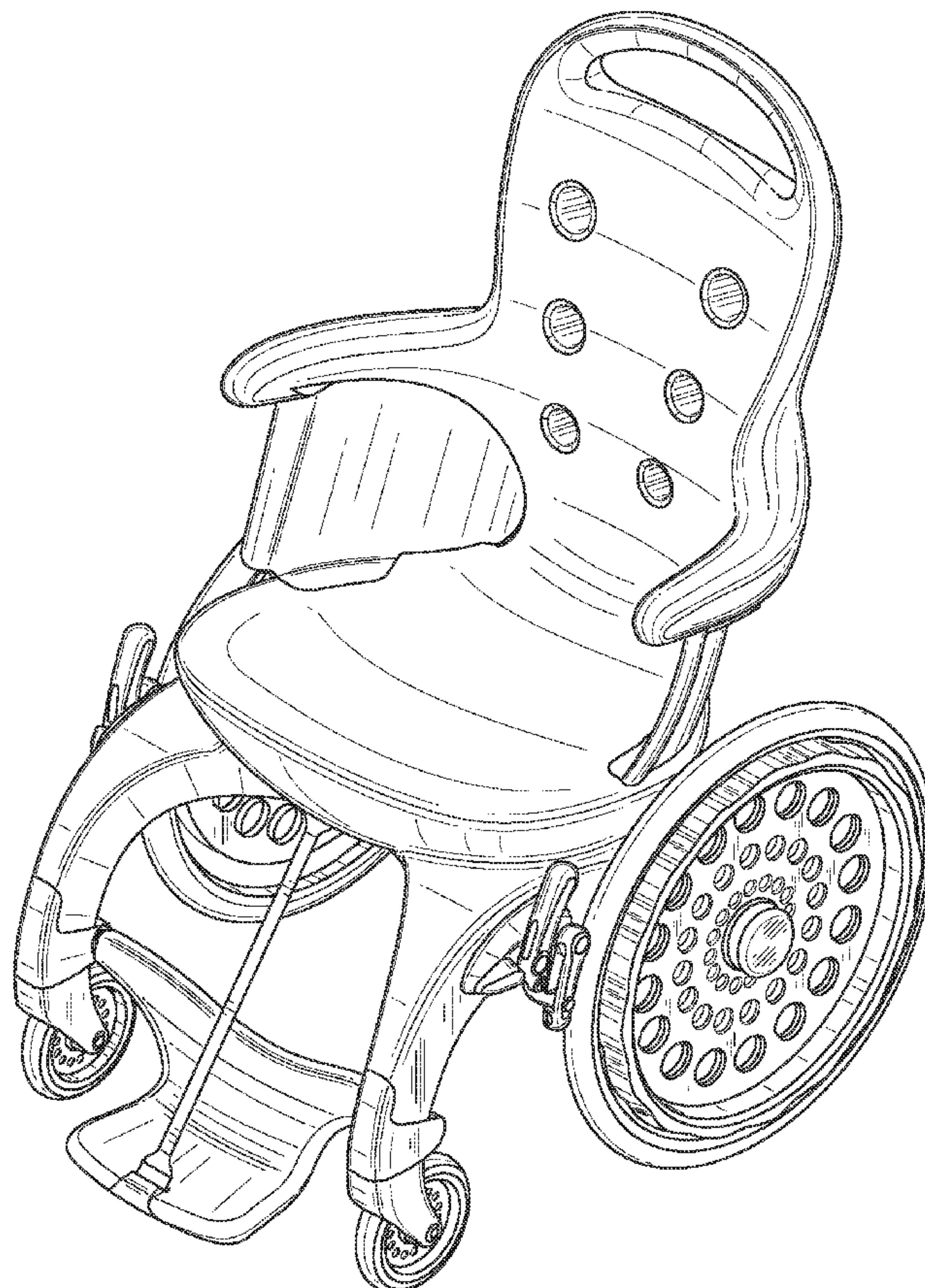
(57) **CLAIM**

The ornamental design for a wheelchair, as shown and described.

DESCRIPTION

FIG. 1 is a front, right perspective view of a wheelchair showing my new design;
FIG. 2 is a rear, left perspective view thereof;
FIG. 3 is a front view thereof;
FIG. 4 is a right side view thereof;
FIG. 5 is a rear view thereof;
FIG. 6 is a left side view thereof;
FIG. 7 is a top view thereof; and,
FIG. 8 is a bottom view thereof.

1 Claim, 8 Drawing Sheets



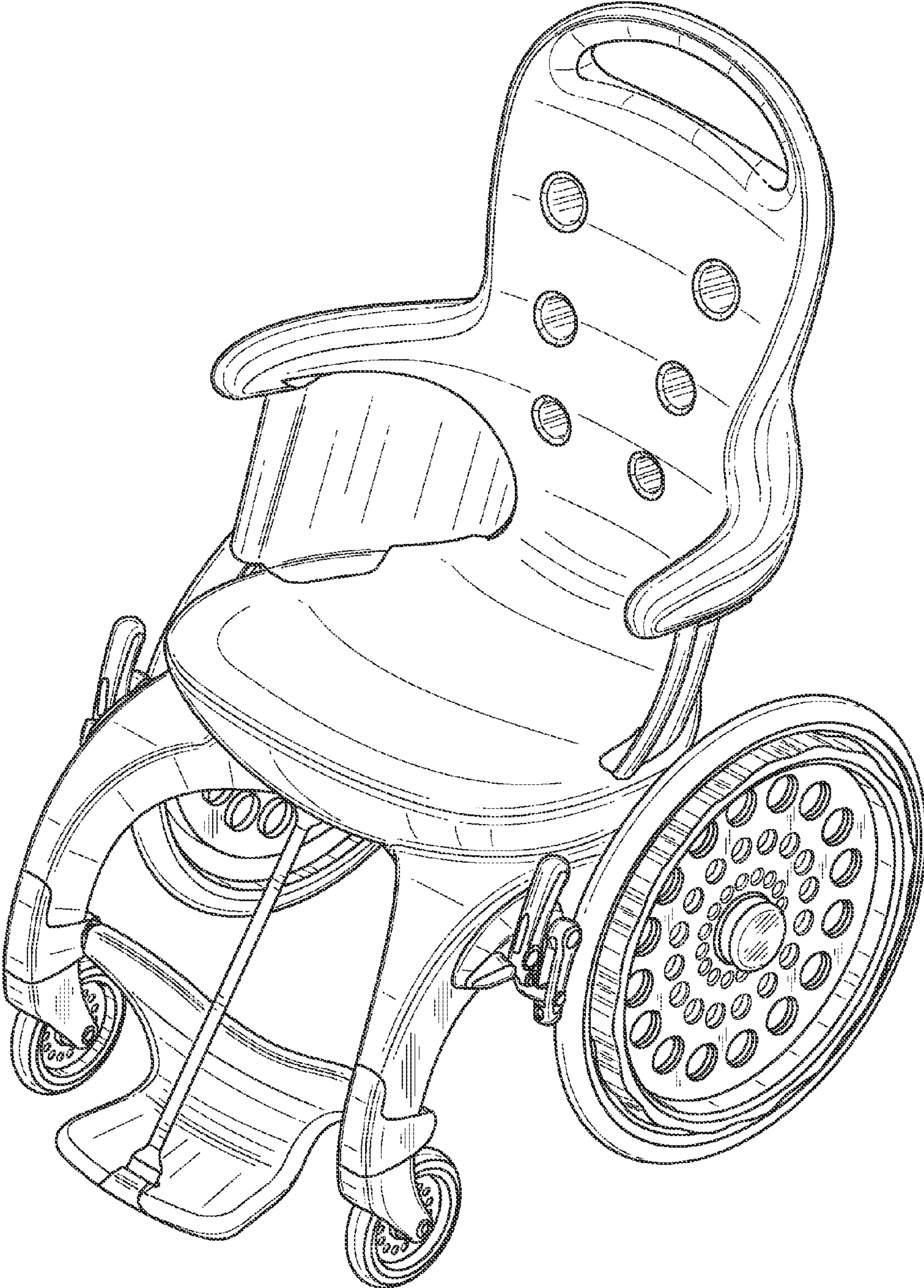


FIG. 1

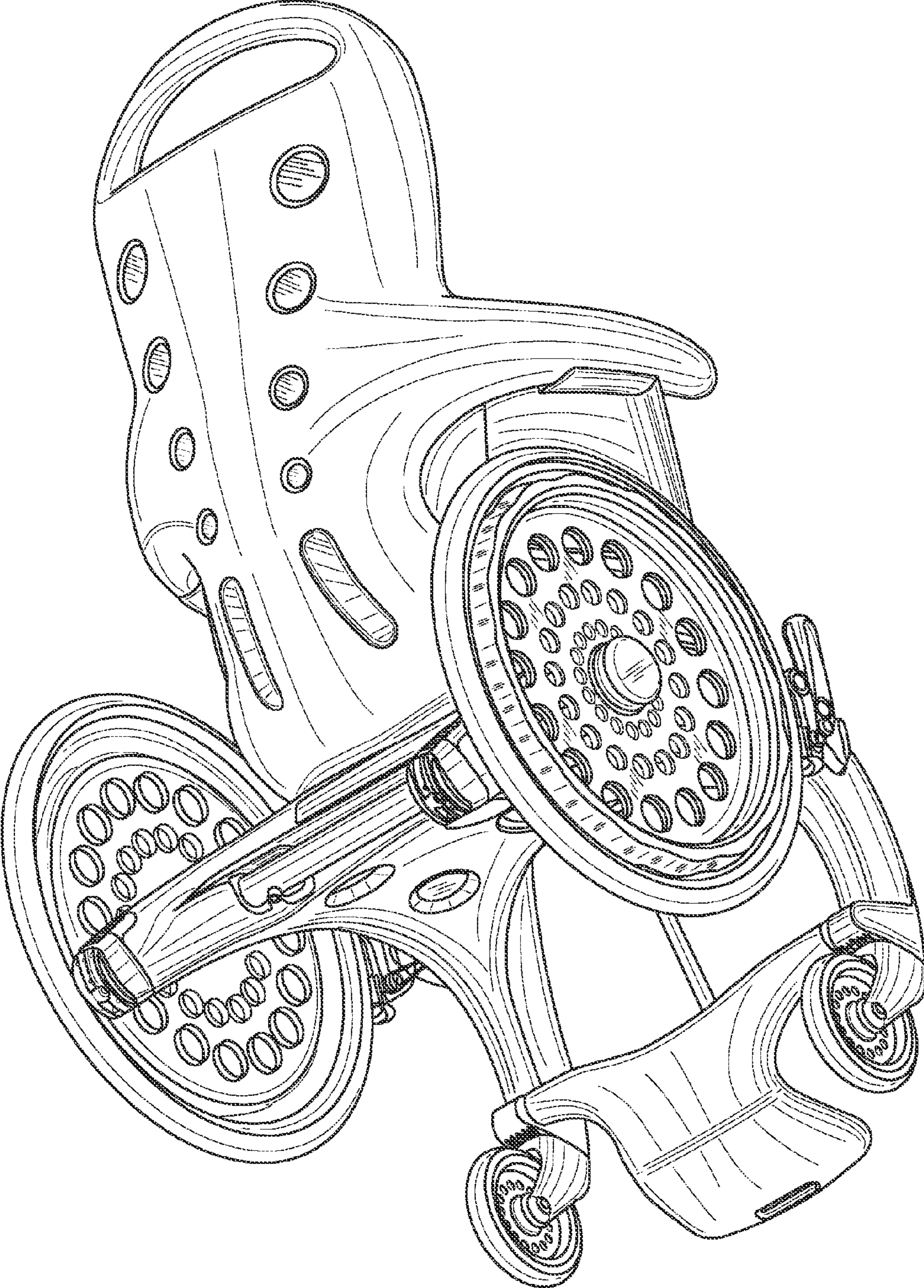


FIG. 2

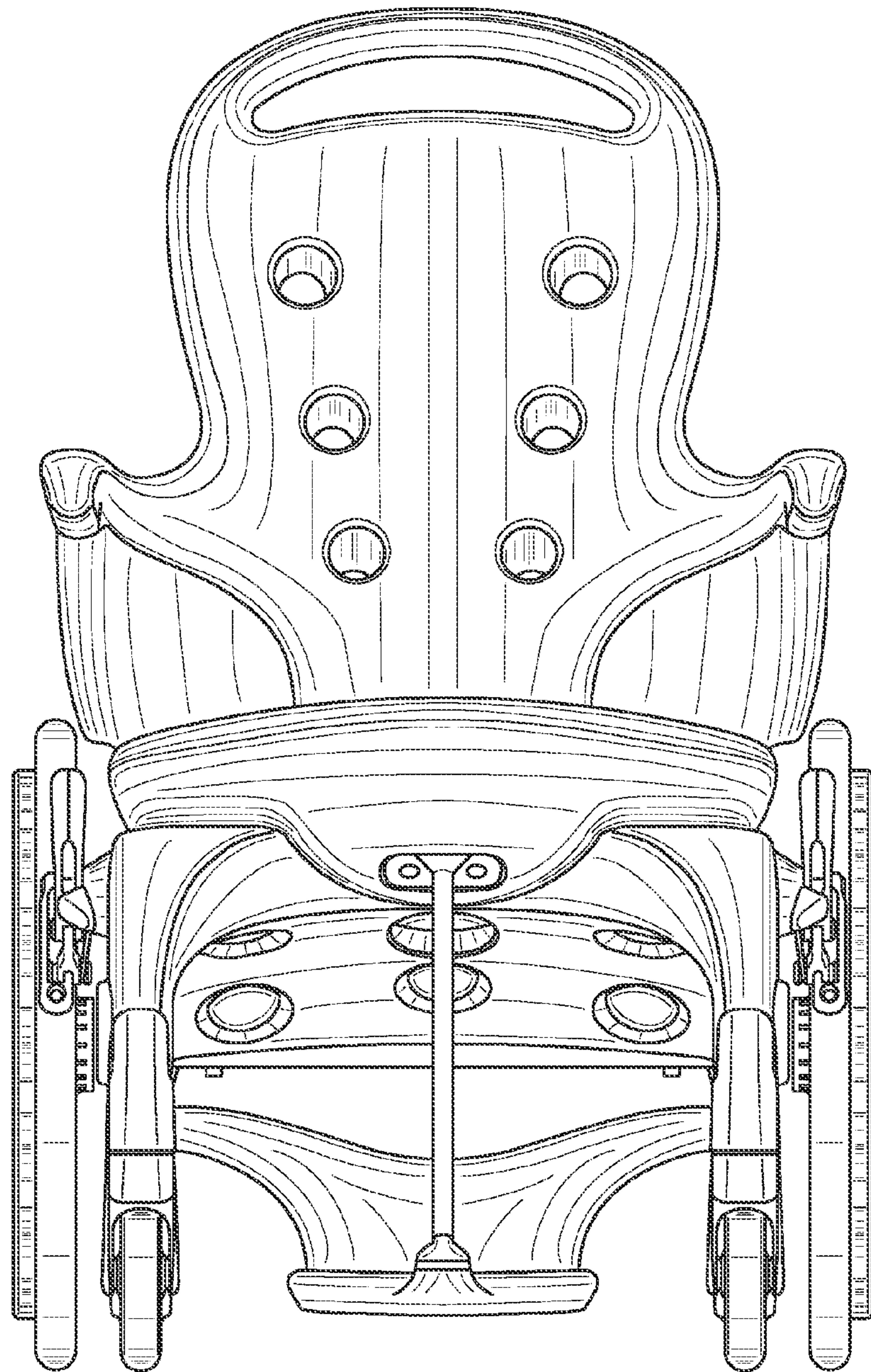


FIG. 3

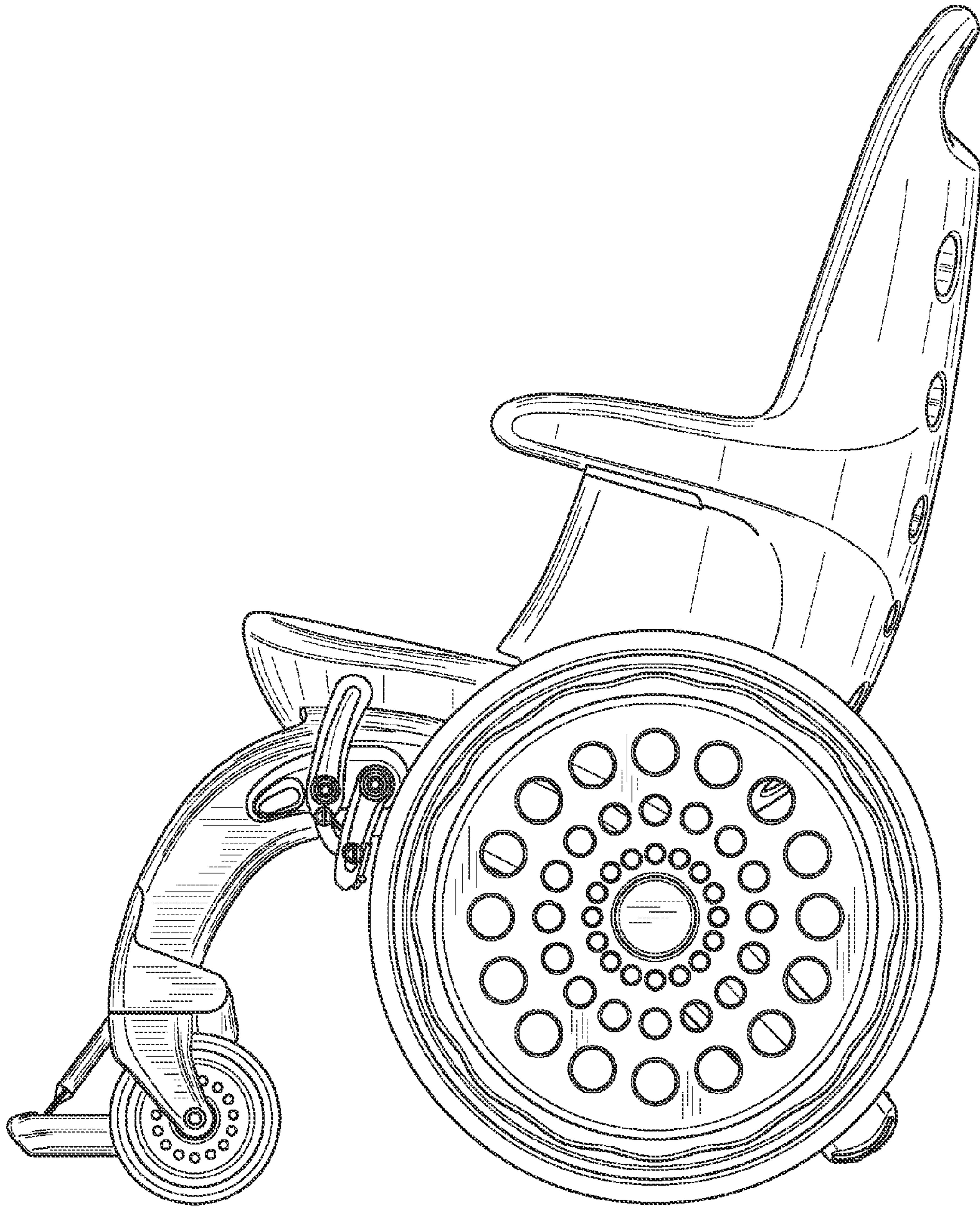


FIG. 4

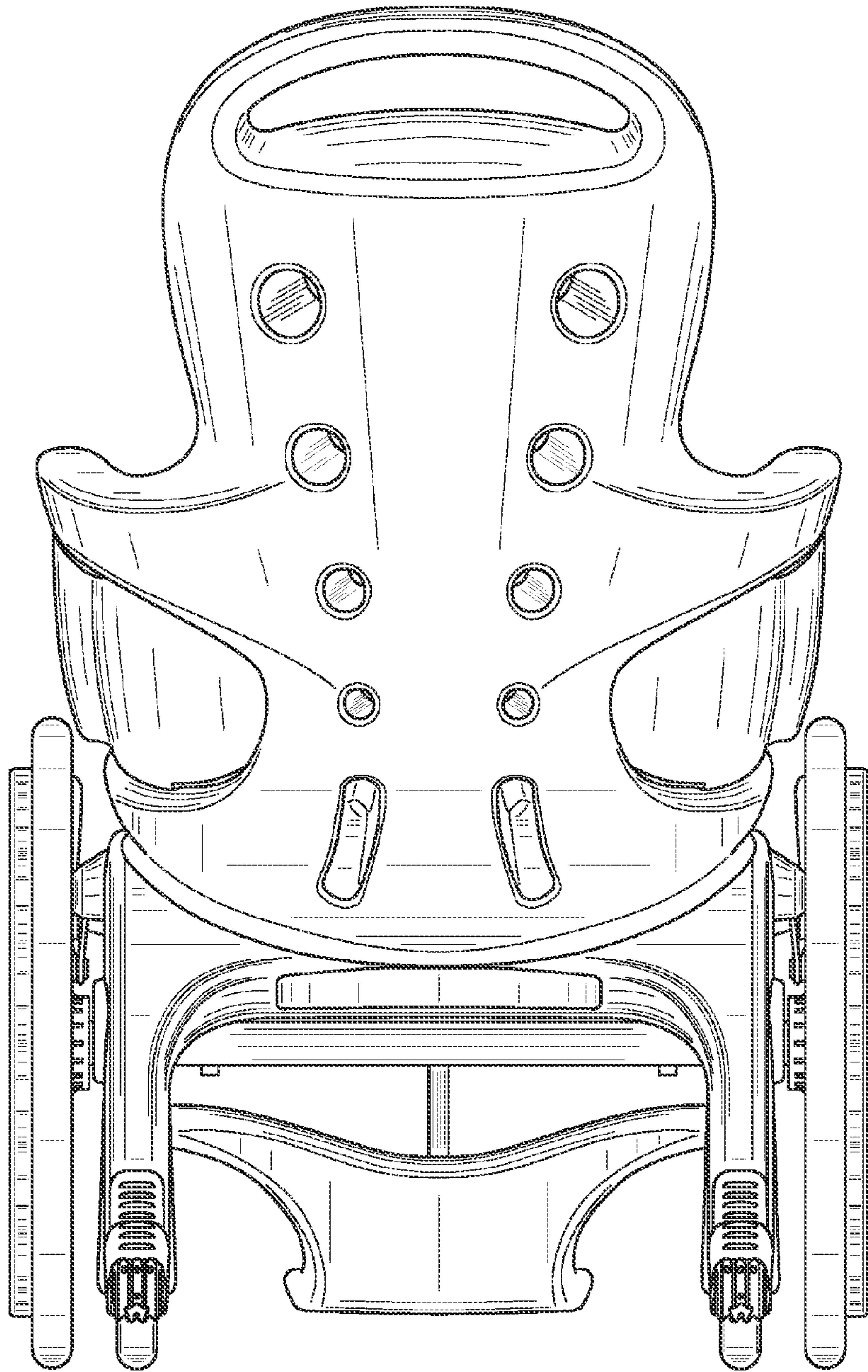


FIG. 5

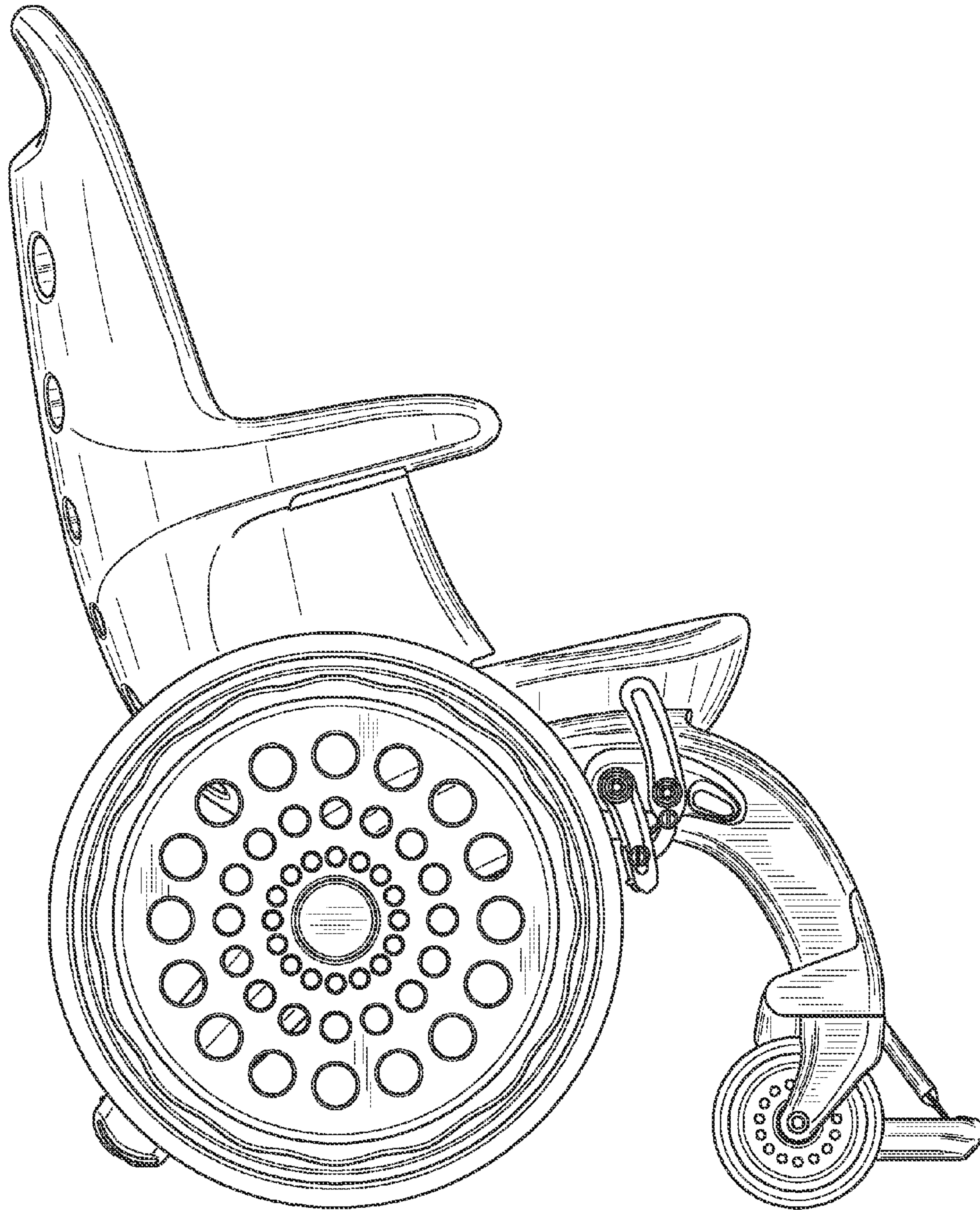


FIG. 6

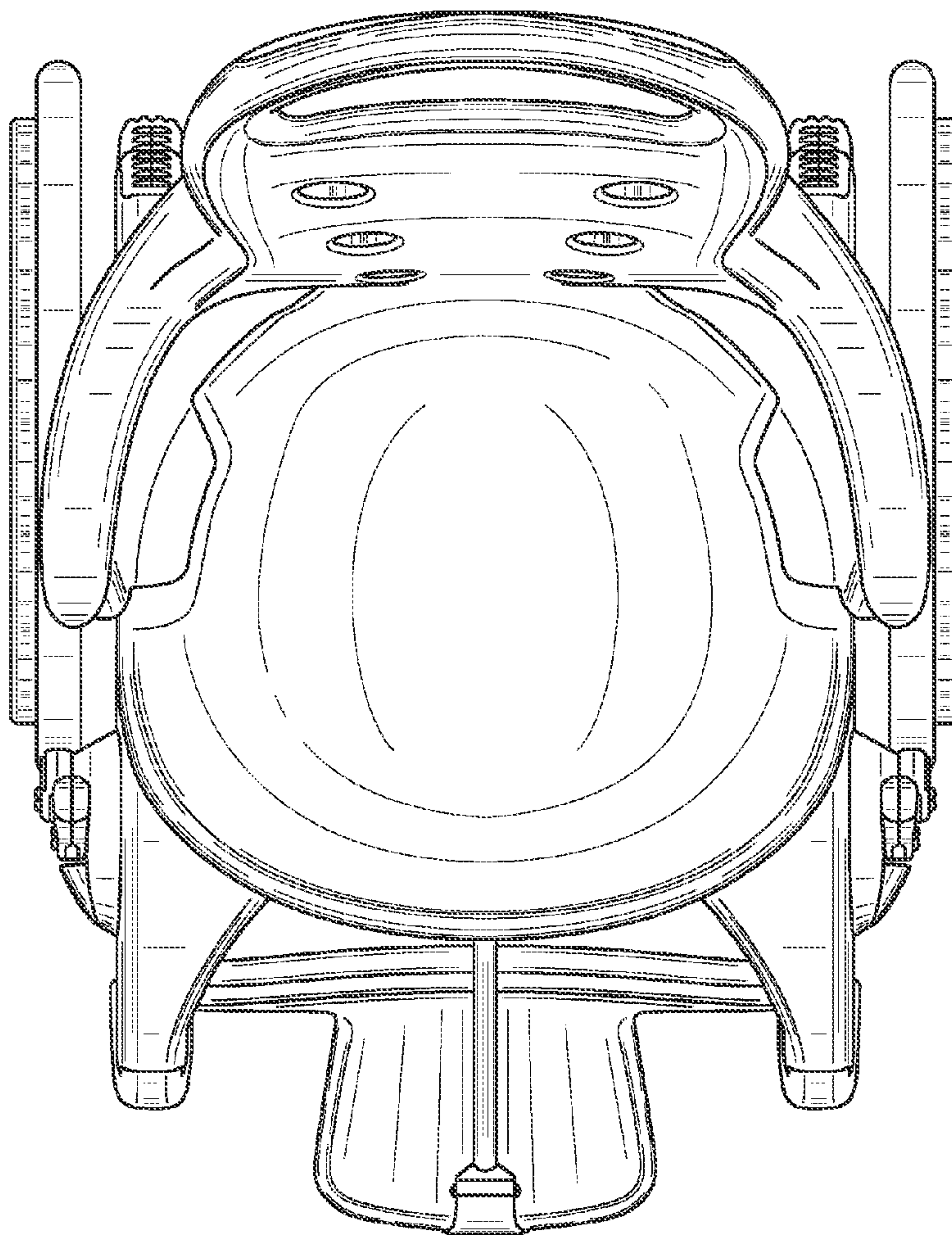


FIG. 7

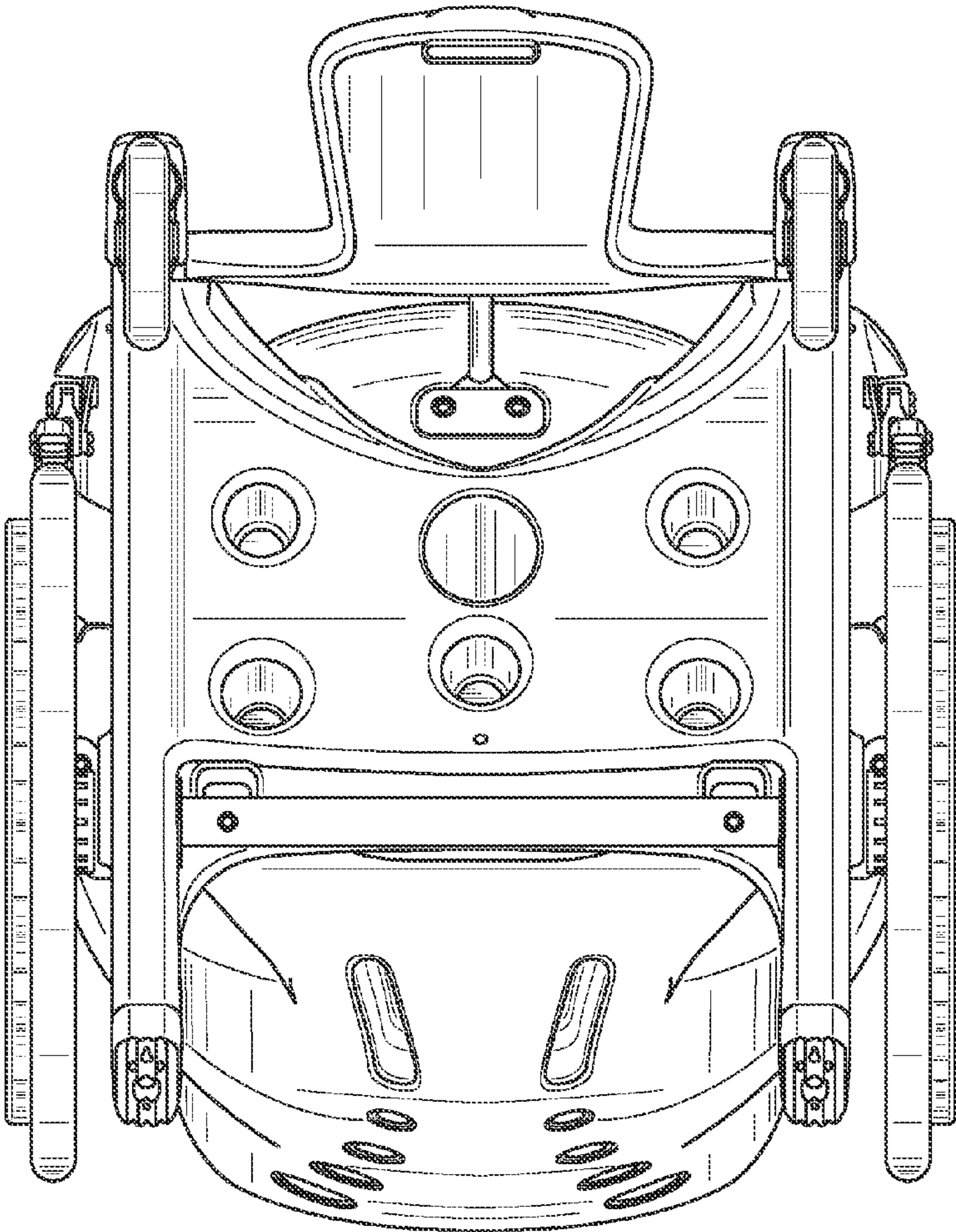


FIG. 8