



US00D677605S

(12) **United States Design Patent**  
**Ide et al.**

(10) **Patent No.:** **US D677,605 S**  
(45) **Date of Patent:** **\*\* Mar. 12, 2013**

(54) **BABY STROLLER**

(75) Inventors: **Nakahisa Ide**, Saitama (JP); **Shushi Hosoya**, Saitama (JP)

(73) Assignee: **Combi Corporation**, Tokyo (JP)

(\*\*) Term: **14 Years**

(21) Appl. No.: **29/414,865**

(22) Filed: **Mar. 5, 2012**

(30) **Foreign Application Priority Data**

Sep. 5, 2011 (JP) ..... 2011-020181

(51) **LOC (9) Cl.** ..... **12-12**

(52) **U.S. Cl.** ..... **D12/129**

(58) **Field of Classification Search** ..... D12/128-133;  
280/62, 647-650, 29, 200, 47.38, 250.1,  
280/259, 642, 658, 304.1; 128/99.1, 100.1  
See application file for complete search history.

(56) **References Cited**

**U.S. PATENT DOCUMENTS**

D278,993 S *	5/1985	Kasai	.....	D12/129
D362,832 S *	10/1995	Haut et al.	.....	D12/129
D430,826 S *	9/2000	Chen et al.	.....	D12/129
D450,265 S *	11/2001	Hsia	.....	D12/129
D452,461 S *	12/2001	Dumigan et al.	.....	D12/129
D519,421 S *	4/2006	Huang	.....	D12/129
D579,826 S *	11/2008	Grim	.....	D12/129

D579,827 S *	11/2008	Lake	.....	D12/129
D580,828 S *	11/2008	Chen	.....	D12/129
D596,996 S *	7/2009	Yang	.....	D12/129
D631,401 S *	1/2011	Bagwell et al.	.....	D12/129
D654,406 S *	2/2012	Henry	.....	D12/129
D661,624 S *	6/2012	Stopp	.....	D12/129

\* cited by examiner

*Primary Examiner* — Ian Simmons

*Assistant Examiner* — Charles Hanson

(74) *Attorney, Agent, or Firm* — Leason Ellis LLP.

(57) **CLAIM**

The ornamental design for a baby stroller, as shown and described.

**DESCRIPTION**

FIG. 1 is a front right side perspective view of a baby stroller showing our new design;

FIG. 2 is a front elevational view thereof;

FIG. 3 is a rear elevational view thereof;

FIG. 4 is a right side elevational view thereof;

FIG. 5 is a left side elevational view thereof;

FIG. 6 is a top plan view thereof;

FIG. 7 is a bottom plan view thereof;

FIG. 8 is a front right side perspective view of the design thereof of FIG. 1 displaying the shade in an unfolded position;

FIG. 9 is a front right side perspective view of the design thereof of FIG. 1 displaying the backrest in a raised position and the shade in a folded position; and,

FIG. 10 is a front right side perspective view of the design thereof of FIG. 1 in a folded position.

**1 Claim, 10 Drawing Sheets**

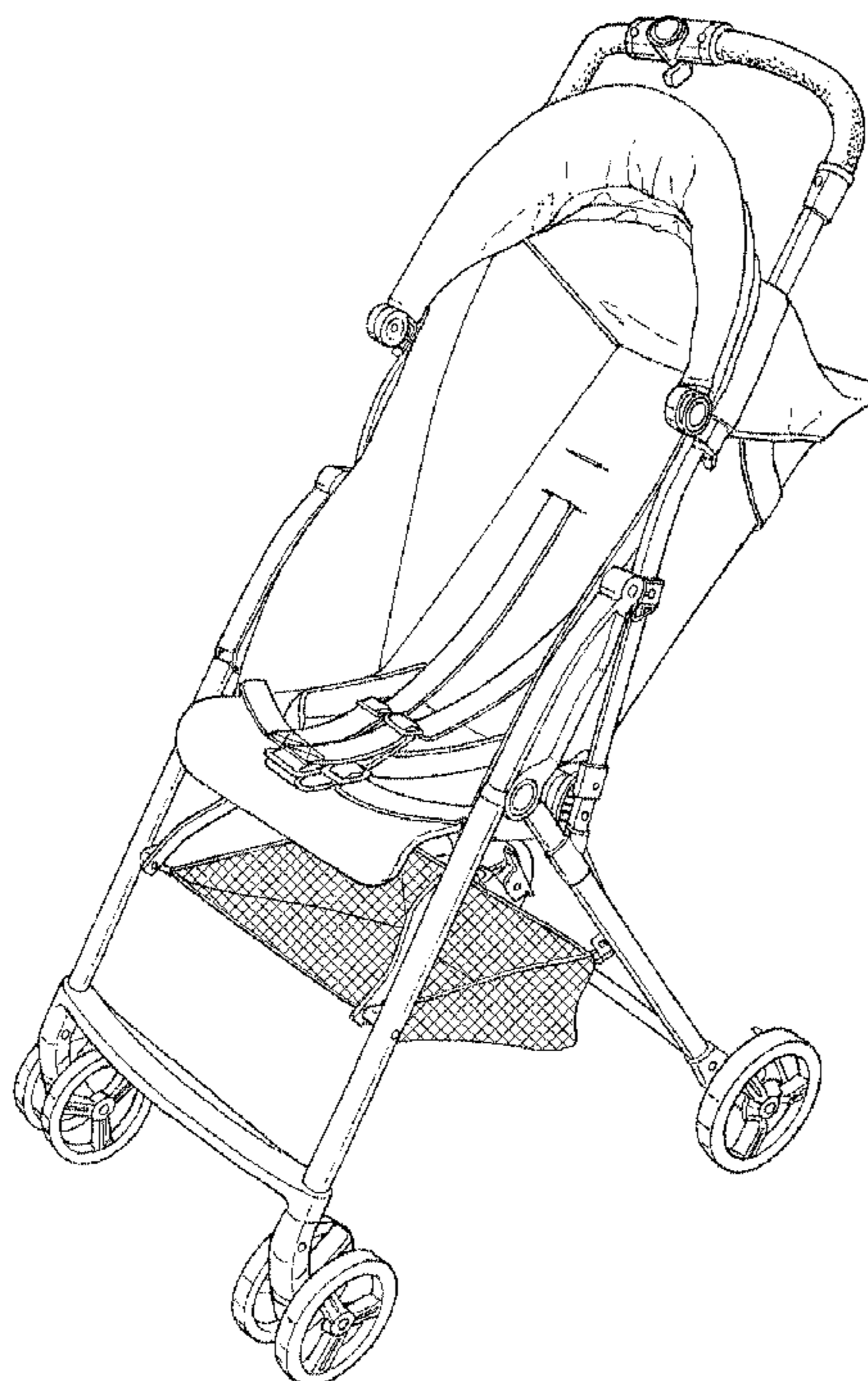


FIG. 1

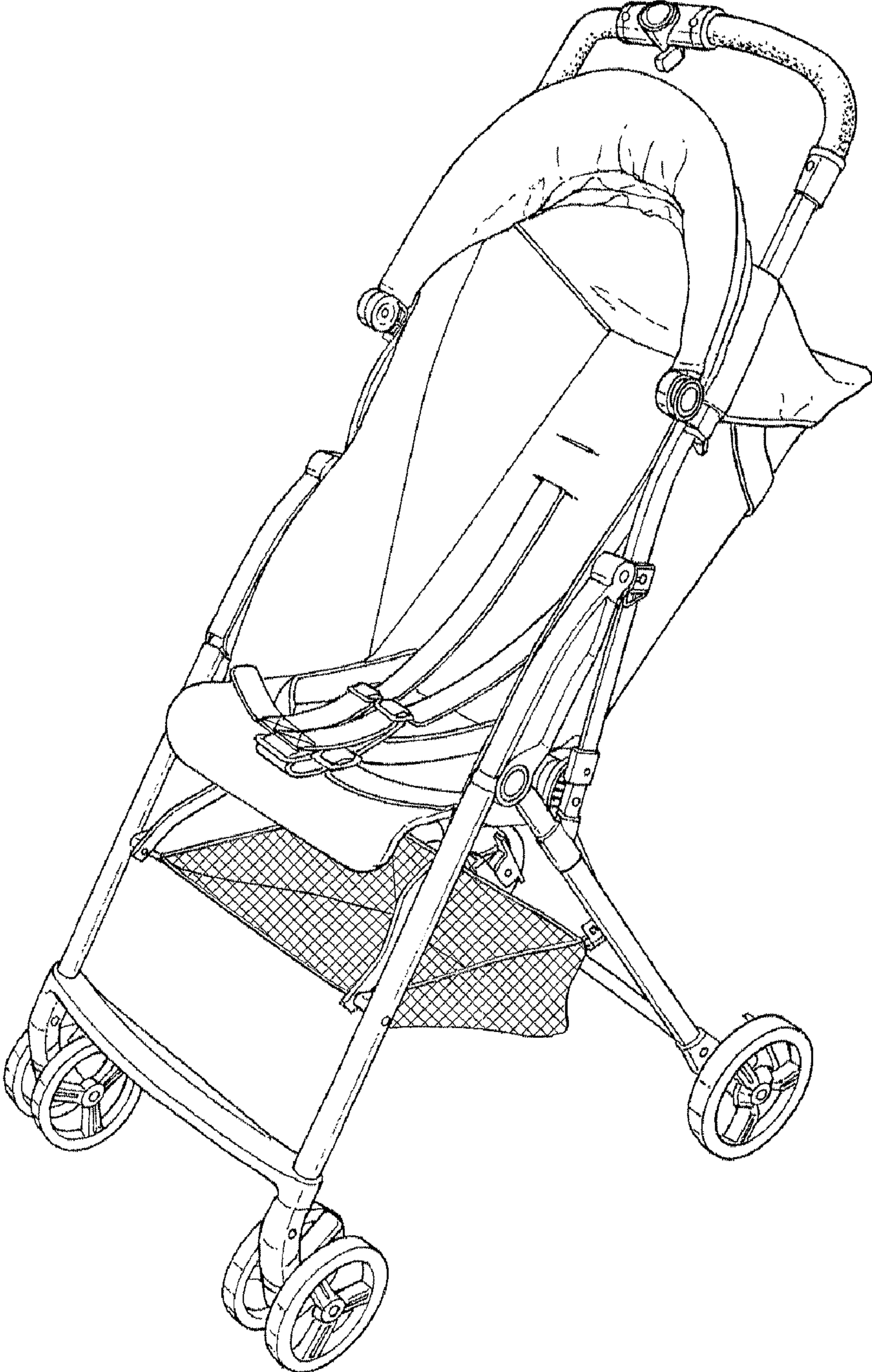




FIG. 2

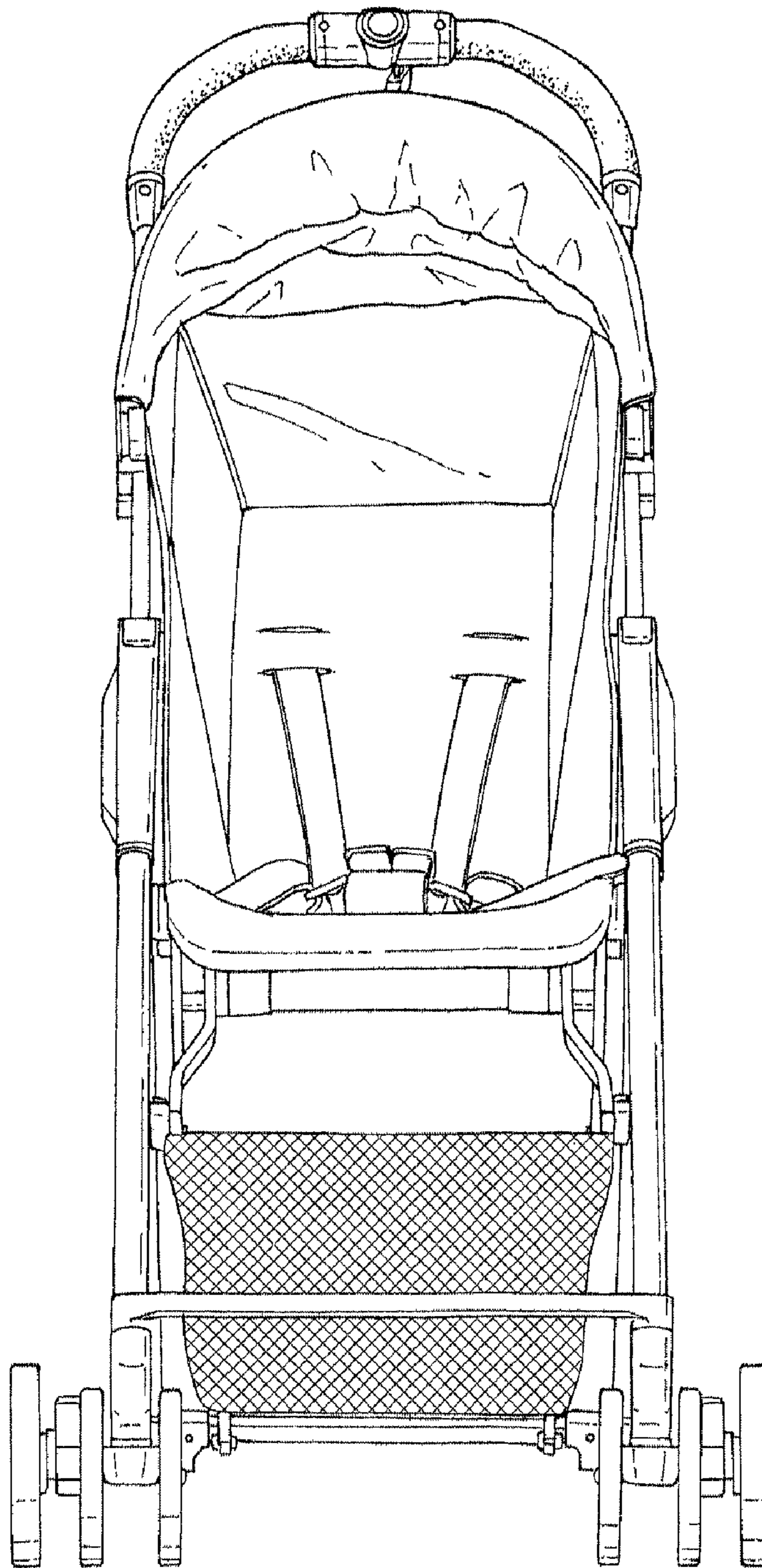


FIG. 3

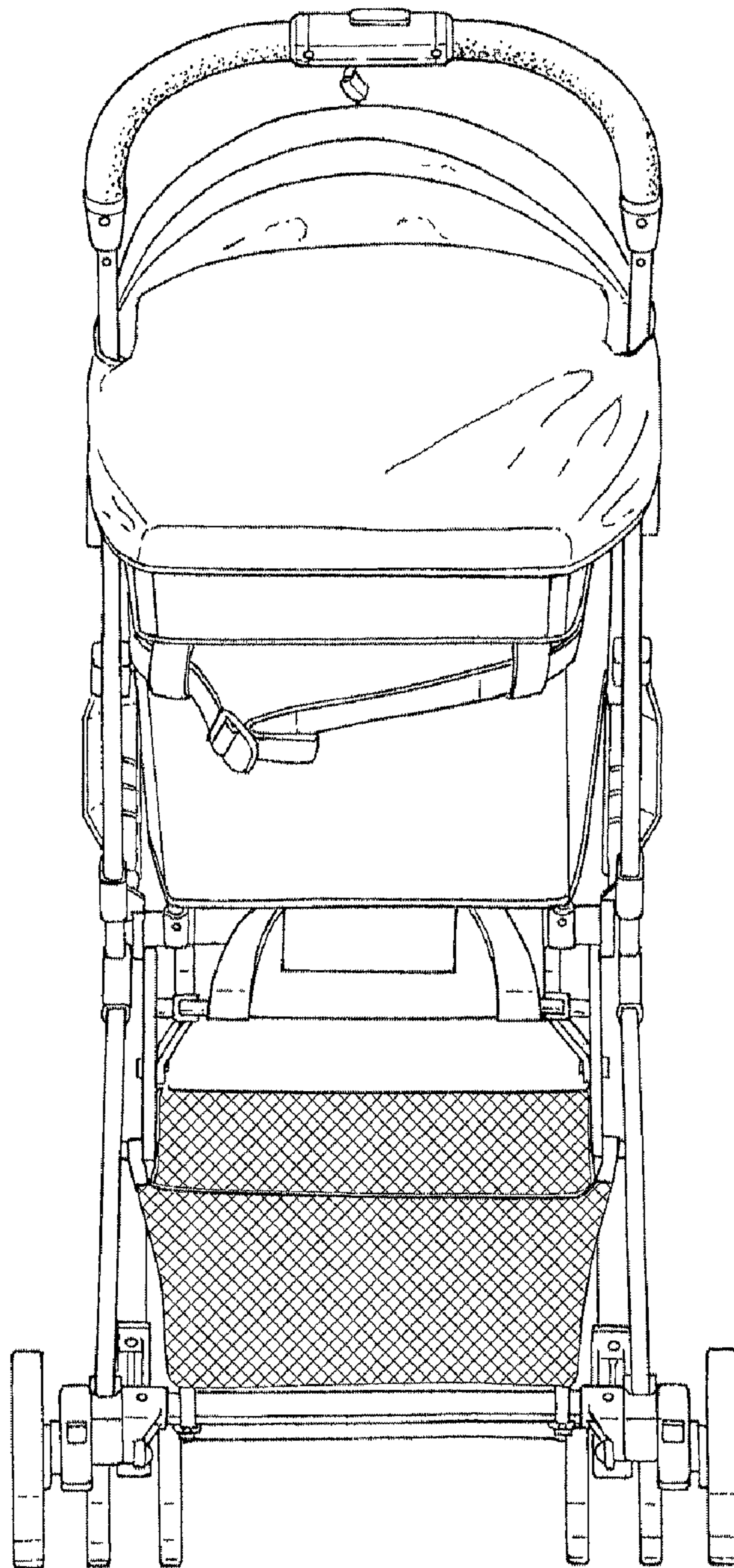


FIG. 4

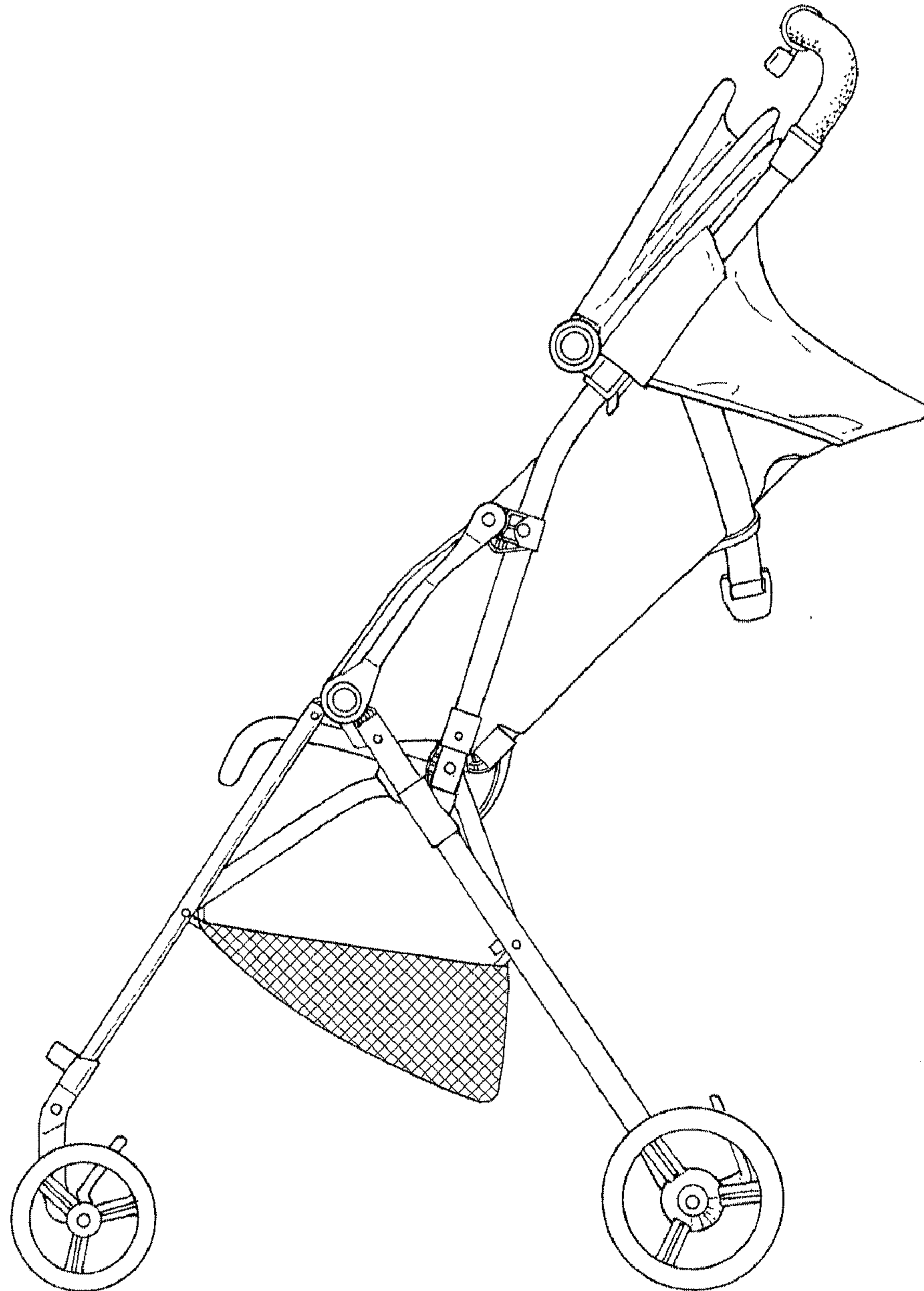




FIG. 5

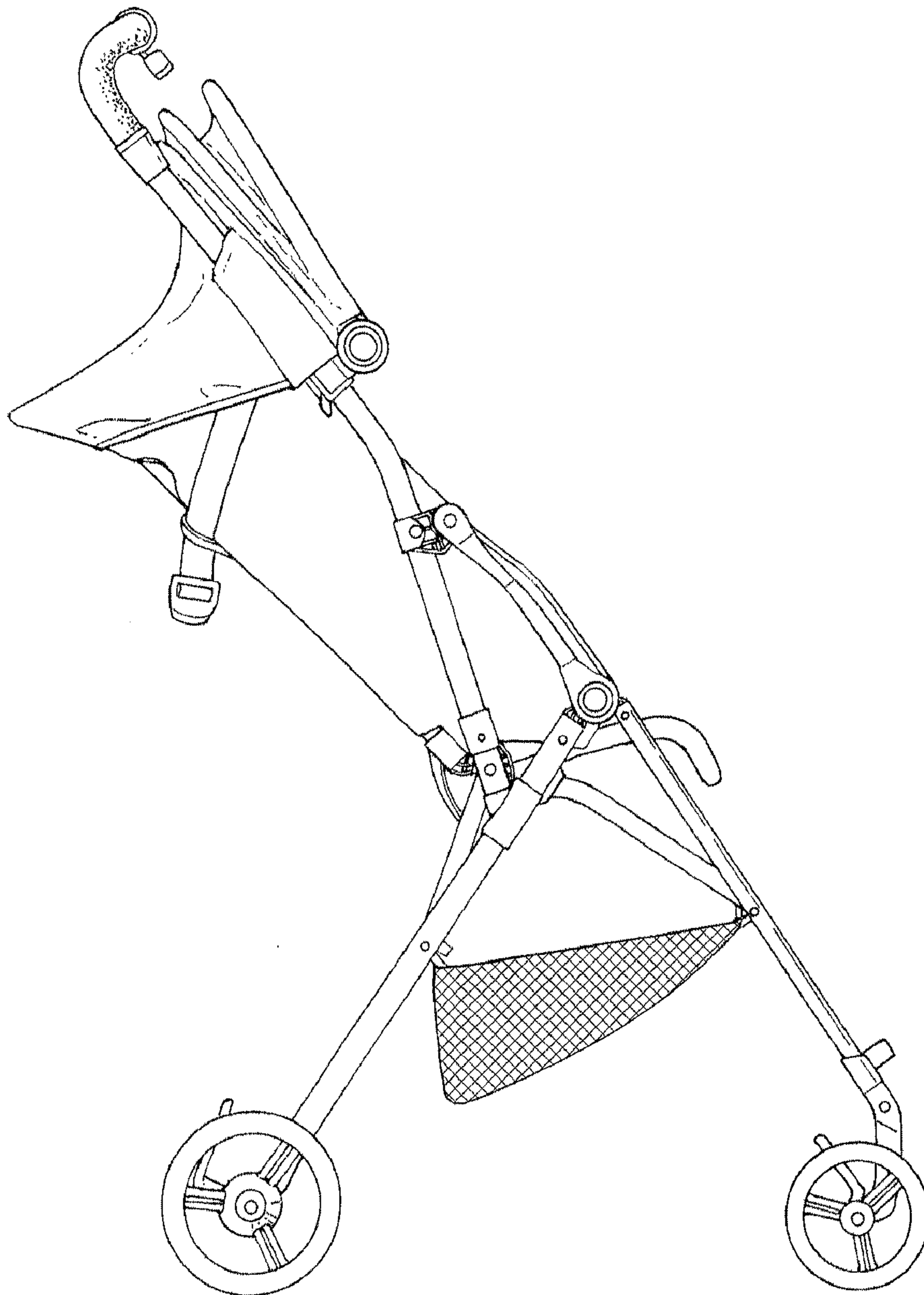


FIG. 6

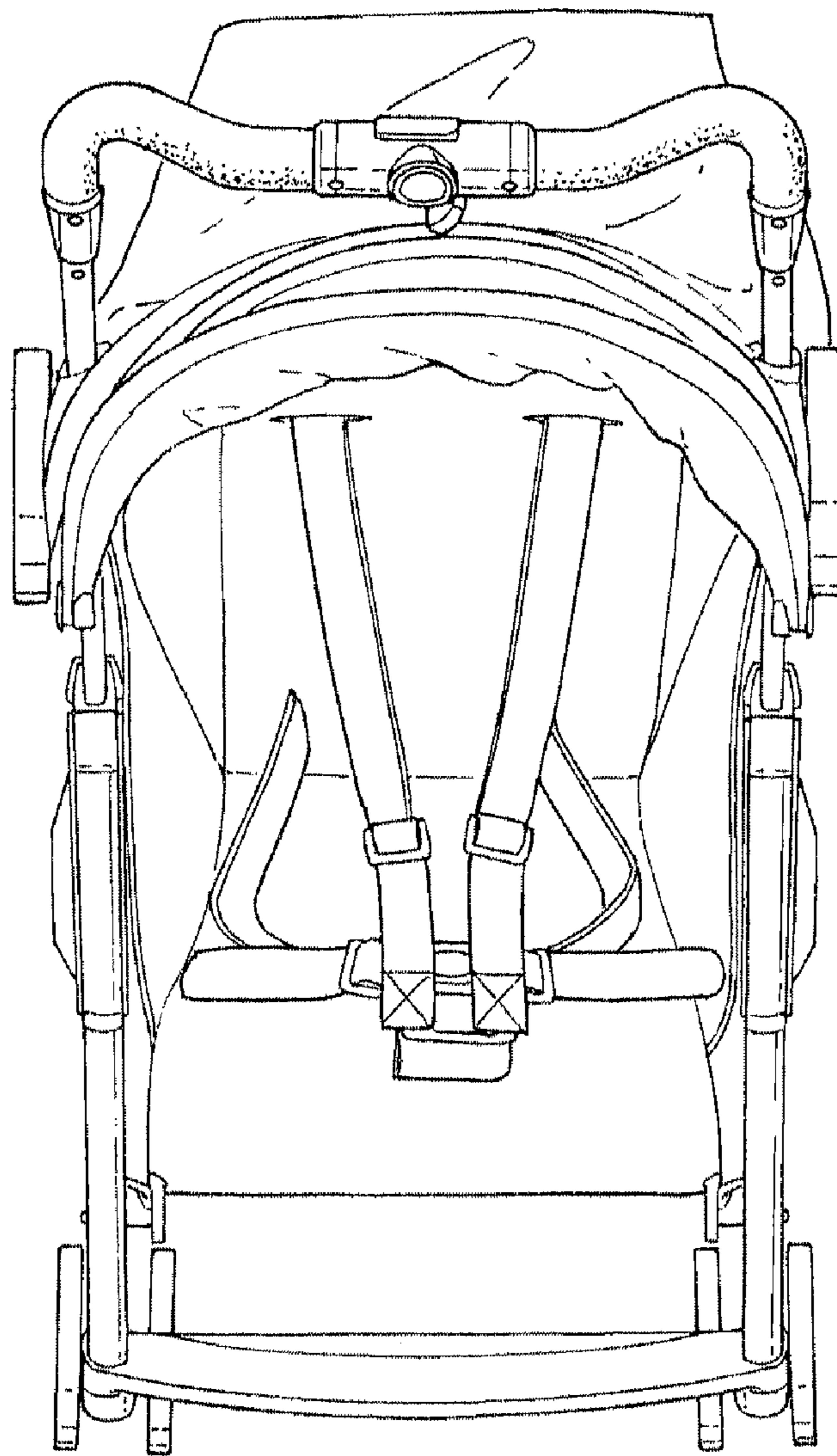


FIG. 7

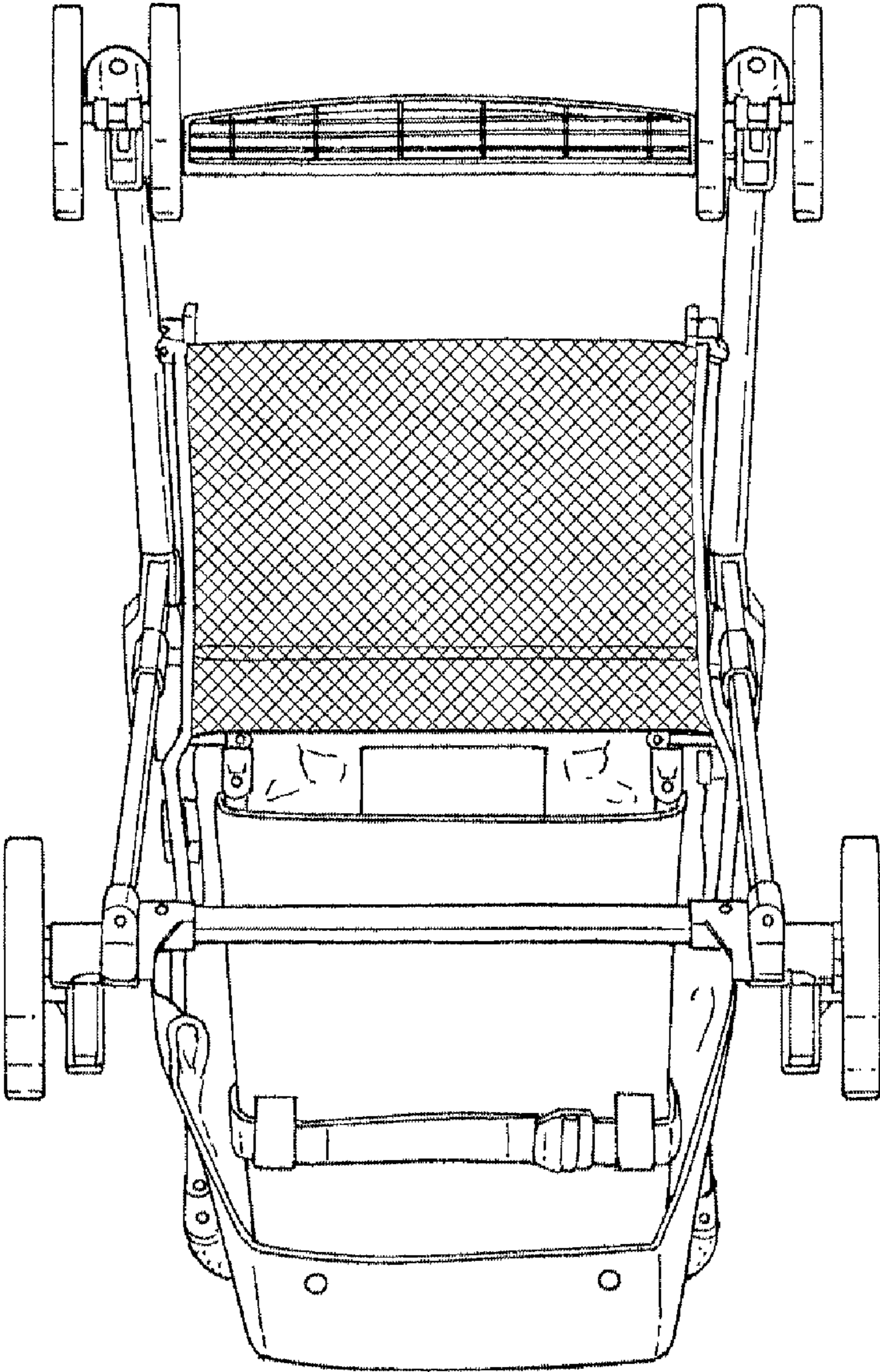




FIG. 8

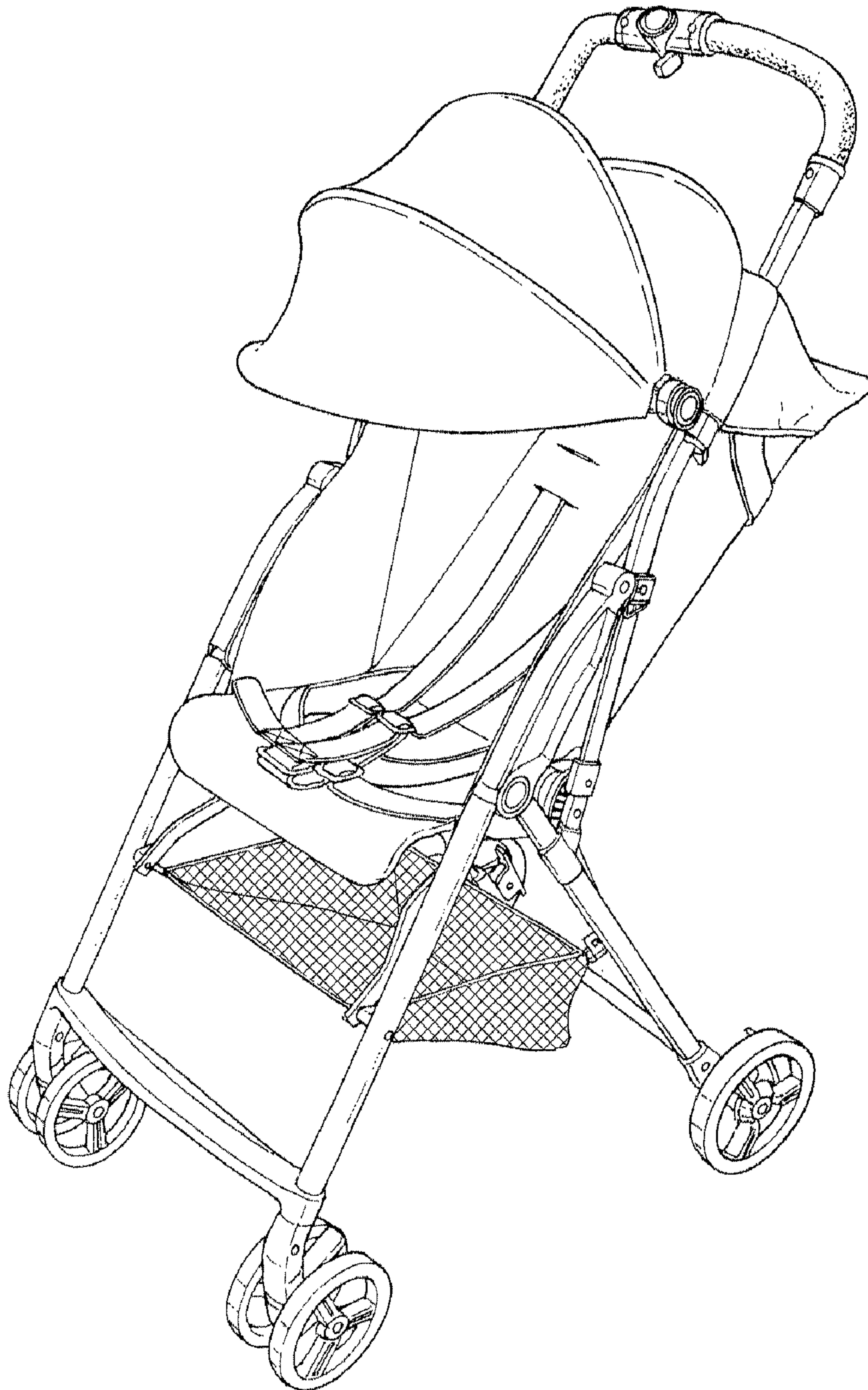


FIG. 9

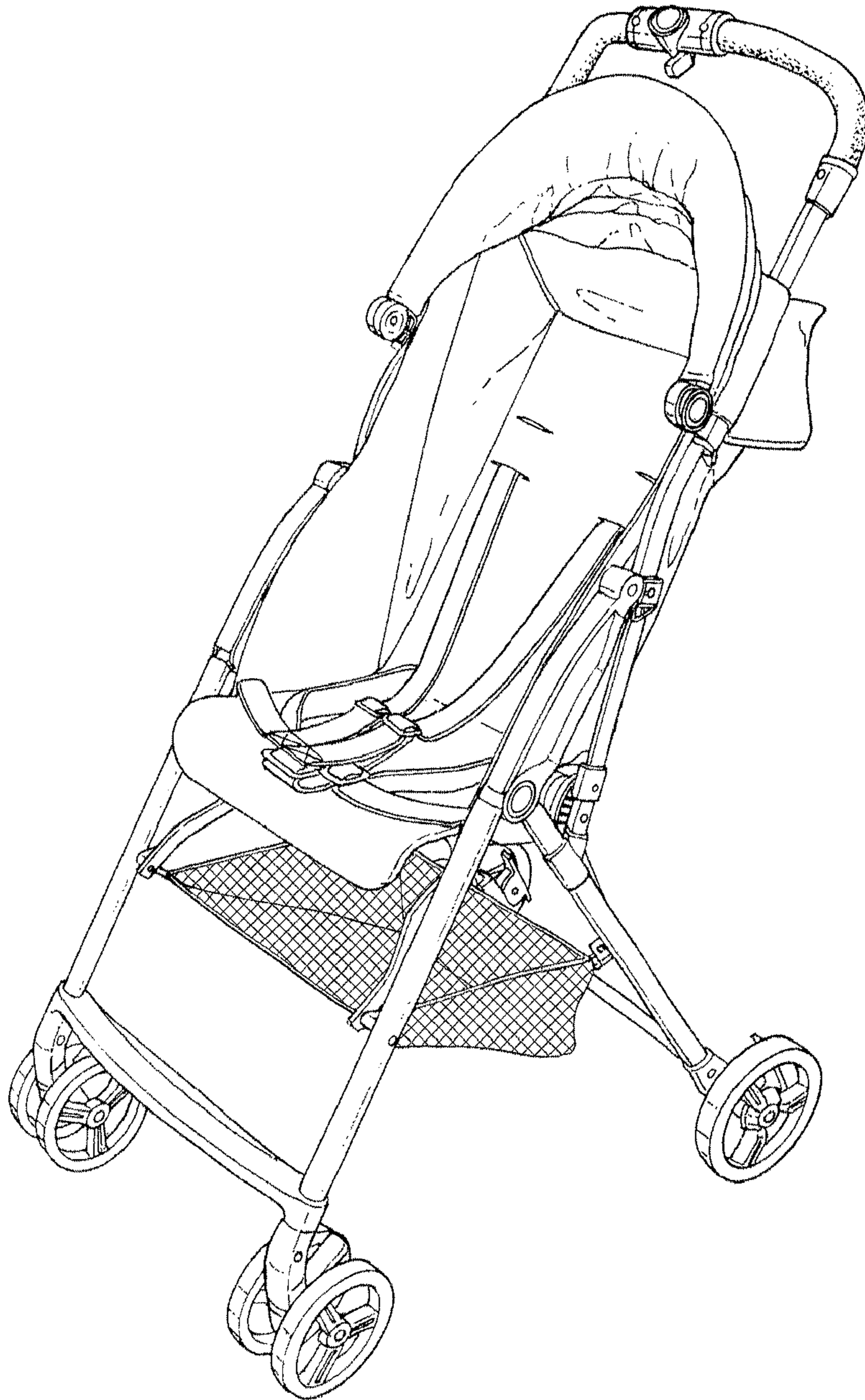


FIG. 10

