

US00D677603S

(12) **United States Design Patent**
Kenn

(10) **Patent No.:** **US D677,603 S**
(45) **Date of Patent:** **** Mar. 12, 2013**

(54) **DART BARREL**

FOREIGN PATENT DOCUMENTS

(76) Inventor: **Glenn Andrew Kenn, Ajax (CA)**

EP 2204633 A2 * 7/2010
GB 2283182 A * 5/1995

(**) Term: **14 Years**

* cited by examiner

(21) Appl. No.: **29/385,875**

Primary Examiner — Michael A Pratt

(22) Filed: **Feb. 22, 2011**

(74) *Attorney, Agent, or Firm* — Locke Lord LLP; Peter J. Fallon; David Greene

(30) **Foreign Application Priority Data**

Feb. 8, 2011 (CA) 139036

(51) **LOC (9) Cl.** **22-04**

(52) **U.S. Cl.** **D12/114**

(58) **Field of Classification Search** D22/115;
D21/307, 308, 385, 387; 124/20.3, 22; 86/51-1.1
See application file for complete search history.

(57) **CLAIM**

I claim the ornamental design for a dart barrel, as shown and described.

(56) **References Cited**

U.S. PATENT DOCUMENTS

4,974,273	A *	12/1990	Buttermore et al.	7/170
5,186,156	A *	2/1993	Clayton	124/59
D380,784	S *	7/1997	Smith	D21/387
6,533,688	B1 *	3/2003	Huang	473/578
6,856,250	B2 *	2/2005	Hilliard	340/573.2
7,856,928	B1 *	12/2010	Paulic	102/402
2006/0154756	A1 *	7/2006	Shao	473/578
2008/0090684	A1 *	4/2008	Martinez	473/578
2009/0007895	A1 *	1/2009	Kenworthy	124/62
2010/0167848	A1 *	7/2010	Tsai	473/578
2011/0041823	A1 *	2/2011	Victor et al.	124/48

DESCRIPTION

FIG. 1 is a front view of the barrel of the present design.
FIG. 2 is a back view of the barrel of the present design.
FIG. 3 is a top view of the barrel of the present design.
FIG. 4 is a bottom view of the barrel of the present design.
FIG. 5 is a cross sectional view of the barrel taken along line 6-6 of FIG. 1; and,
FIG. 6 is a side view of the barrel when part of a dart.
The design consists of the feature of shape of the dart barrel for a dart shown in solid lines in the drawings. The portions shown in stippled lines do not form part of the design.
The light gray surface shading on the surface portions indicates contour and not surface decoration.

1 Claim, 3 Drawing Sheets

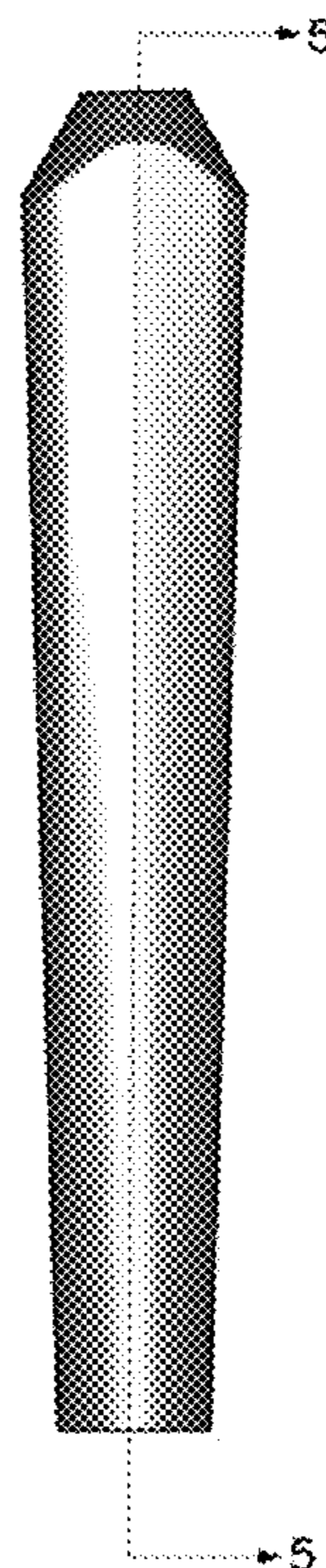


Figure 1

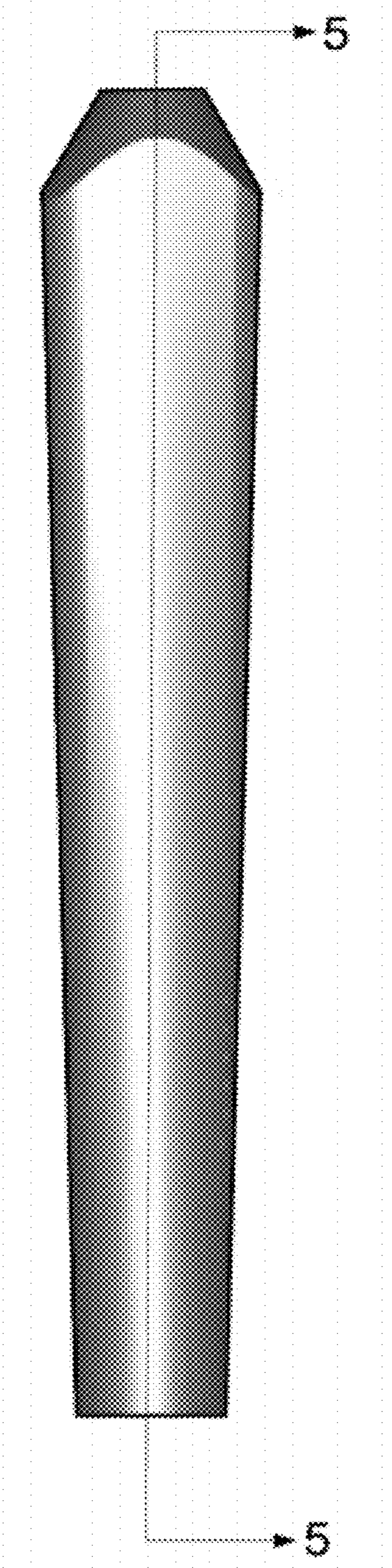


Figure 2

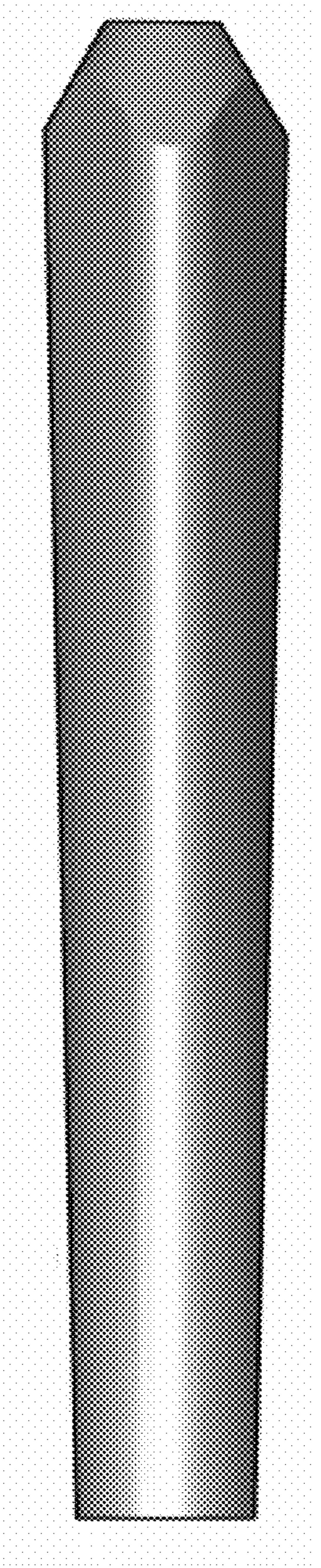


Figure 3

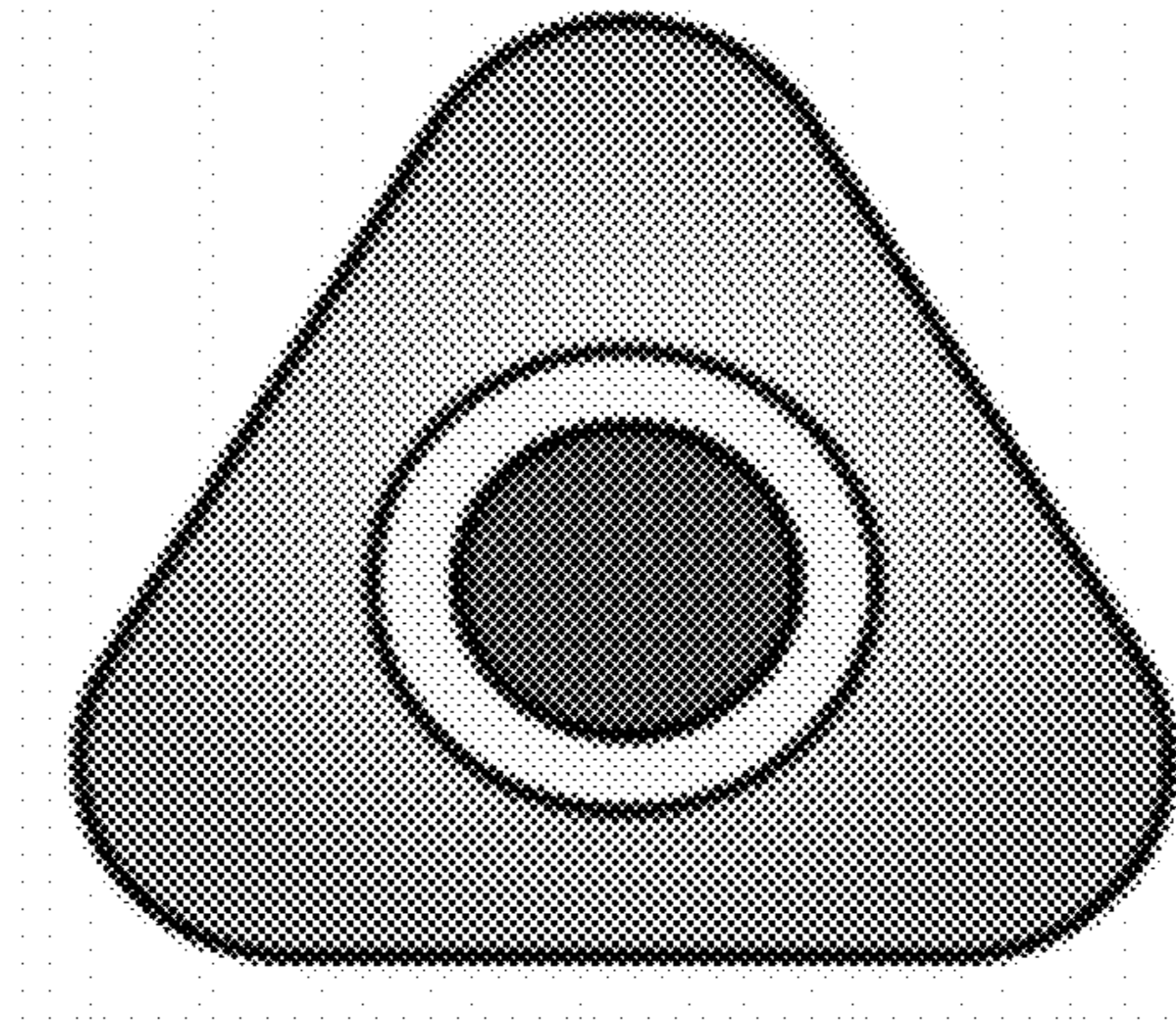


Figure 4

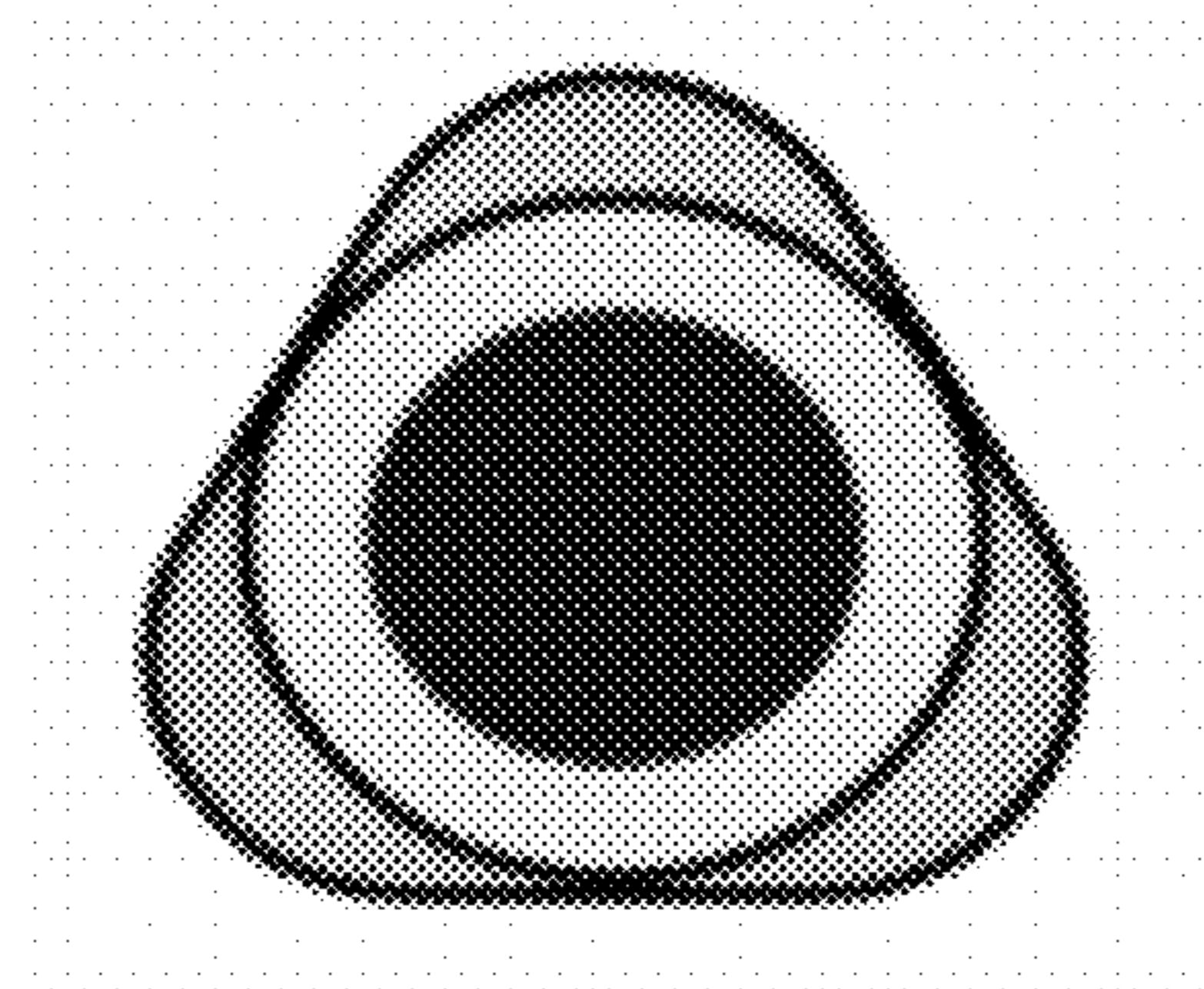


Figure 5

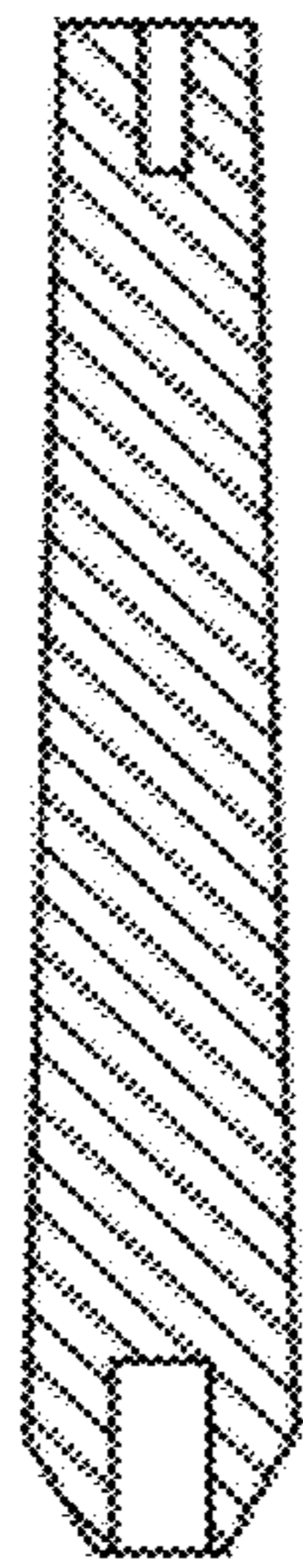


Figure 6

