



US00D677594S

(12) **United States Design Patent**
Brown et al.

(10) **Patent No.:** **US D677,594 S**
(45) **Date of Patent:** **** Mar. 12, 2013**

(54) **ELECTRONIC ON BOARD RECORDER FOR A VEHICLE**

(75) Inventors: **Arthur S. Brown**, Sterling Heights, MI (US); **Ulrich Kraus**, Niedereschach (DE)

(73) Assignee: **Continental Automotive GmbH**, Hannover (DE)

(**) Term: **14 Years**

(21) Appl. No.: **29/393,114**

(22) Filed: **May 31, 2011**

(51) **LOC (9) Cl.** **10-04**

(52) **U.S. Cl.** **D10/98**

(58) **Field of Classification Search** D10/46, D10/65, 70, 98, 104.2, 106.6; D14/125, D14/341, 507, 315, 336, 337, 342, 343, 240-242, D14/356-358, 371, 140.1-140.6, 140, 155, D14/159, 137, 149, 150, 217, 170, 171, 188, D14/203.3, 203.4, 203.7; D16/200, 202, D16/208; 235/95 R; 324/160-180, 207.13, 324/207.22, 207.25; 340/432, 467; 702/145-148; 73/117.01, 490, 493, 514.39, 527; 342/386, 342/351, 419, 457, 357.2-357.78, 450, 458; 343/702; 345/87, 104, 133, 156, 168, 173, 345/901-905; 348/180, 184, 315, 739; 364/444, 364/499; 701/213, 214, 1-124; 706/10, 706/11, 45; 709/217, 227; 725/105; 482/8
See application file for complete search history.

(56) **References Cited**

U.S. PATENT DOCUMENTS

D254,960 S * 5/1980 Helm D10/98
D290,818 S * 7/1987 Tomozawa et al. D10/49
5,225,768 A * 7/1993 Reaves, III 324/76.47
D388,348 S 12/1997 Kraus

(Continued)

OTHER PUBLICATIONS

FMCSA Print View, Regulations current to Feb. 29, 2012, Electronic on-board recording devices.

News Release FMCSA, DOT Issues Proposed Rule Requiring Electronic On-Board Recorders for Interstate Commercial Truck and Bus Companies.

TruckingInfo.com May 13, 2011 ELDs and EOBRs What's the Difference? Commentary by Dave Kraft, Director, Business Development, Qualcomm Enterprise Services.

Federal Register Part II Department of Transportation FMCSA, 49 CFR Part 350, et al. Electronic On-Board Recorders for Hours-of-Service Compliance; Proposed Rule Jan. 18, 2007.

Insurance Institute for Highway Safety, Electronic On-Board Recorders for Hours-of-Service Compliance Notice of Proposed Rulemaking; Apr. 18, 2007.

* cited by examiner

Primary Examiner — Antoine D Davis

(74) *Attorney, Agent, or Firm* — Cozen O'Connor

(57) **CLAIM**

The ornamental design for an electronic on board recorder for a vehicle, as shown and described.

DESCRIPTION

FIG. 1 is a front elevational view of an electronic on board recorder for a vehicle with a mounting bracket showing our new design;

FIG. 2 is a rear elevational view thereof;

FIG. 3 is a top plan view thereof;

FIG. 4 is a bottom plan view thereof;

FIG. 5 is a right-side elevation view thereof;

FIG. 6 is left-side elevation view thereof;

FIG. 7 is a front perspective view;

FIG. 8 is a right side perspective view;

FIG. 9 is a front elevational view of an electronic on board recorder for a vehicle without the mounting bracket showing our new design;

FIG. 10 is a rear elevational view thereof;

FIG. 11 is a top plan view thereof;

FIG. 12 is a bottom plan view thereof;

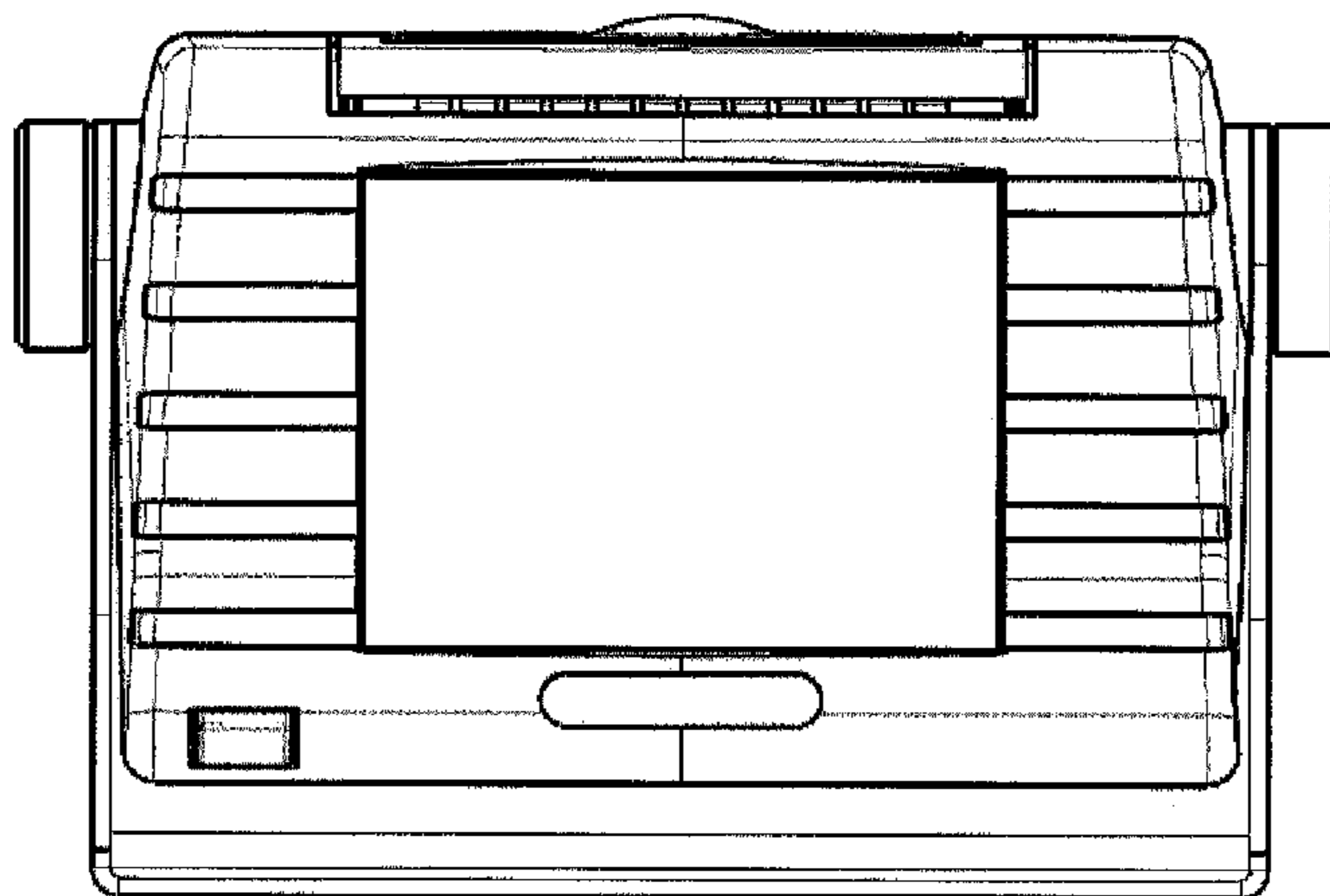
FIG. 13 is a right-side elevation view thereof;

FIG. 14 is left-side elevation view thereof;

FIG. 15 is a front perspective view thereof; and,

FIG. 16 is a right side perspective view thereof.

1 Claim, 16 Drawing Sheets



US D677,594 S

Page 2

U.S. PATENT DOCUMENTS

6,204,767	B1 *	3/2001	Sparks	340/573.1	D502,118	S	2/2005	Kraus	
6,382,018	B2 *	5/2002	Knestel	73/117.01	7,555,378	B2	6/2009	Larschan et al.	
6,738,454	B2 *	5/2004	Mohammadian et al.	379/21	7,905,394	B2 *	3/2011	Kimmich et al.	235/377
D497,822	S	11/2004	Kraus		8,180,546	B2 *	5/2012	Culbert et al.	701/70
					D665,685	S *	8/2012	Okuda	D10/98
					2012/0044786	A1 *	2/2012	Booij et al.	367/127

FIG. 1

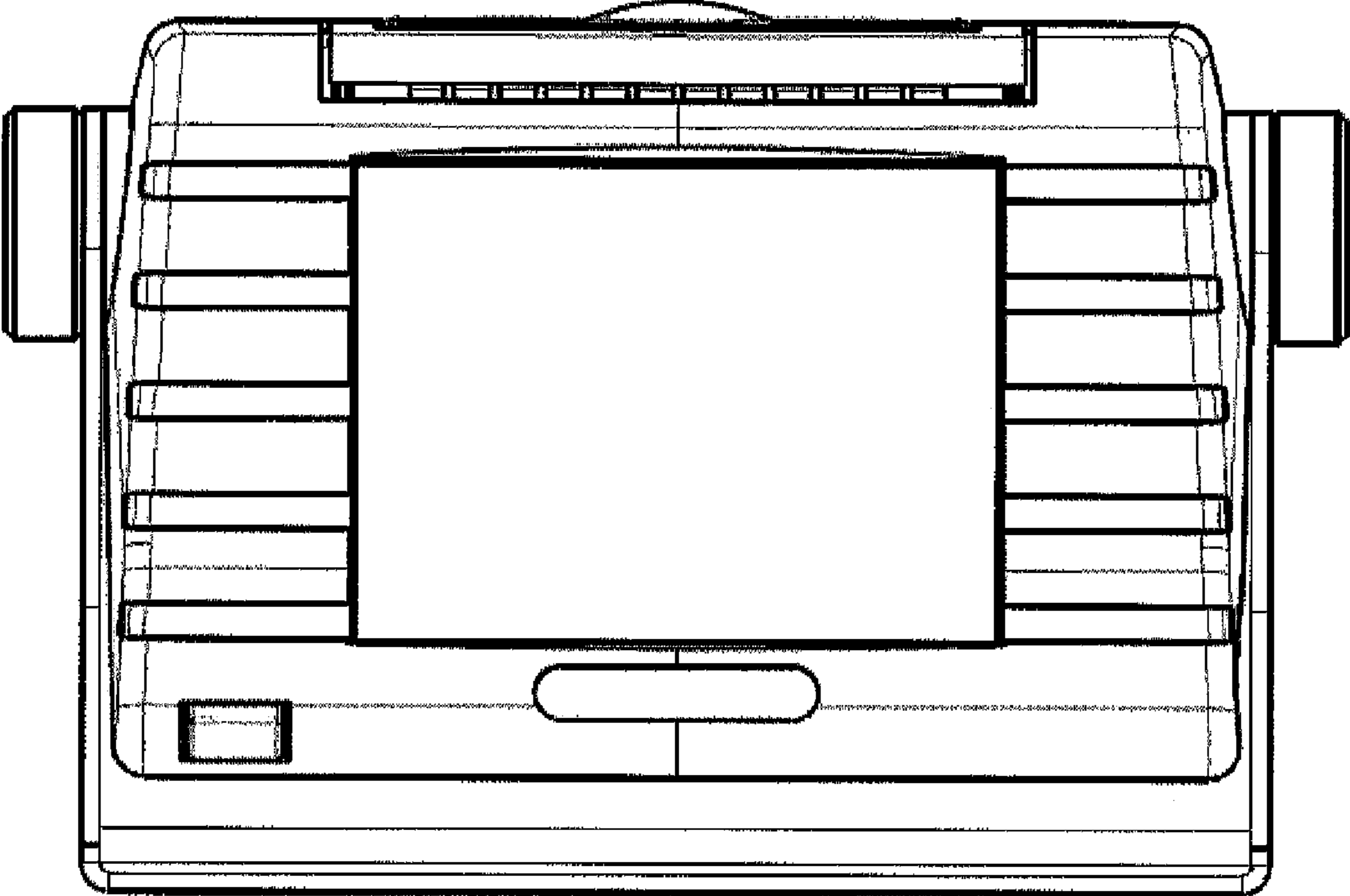


FIG. 2

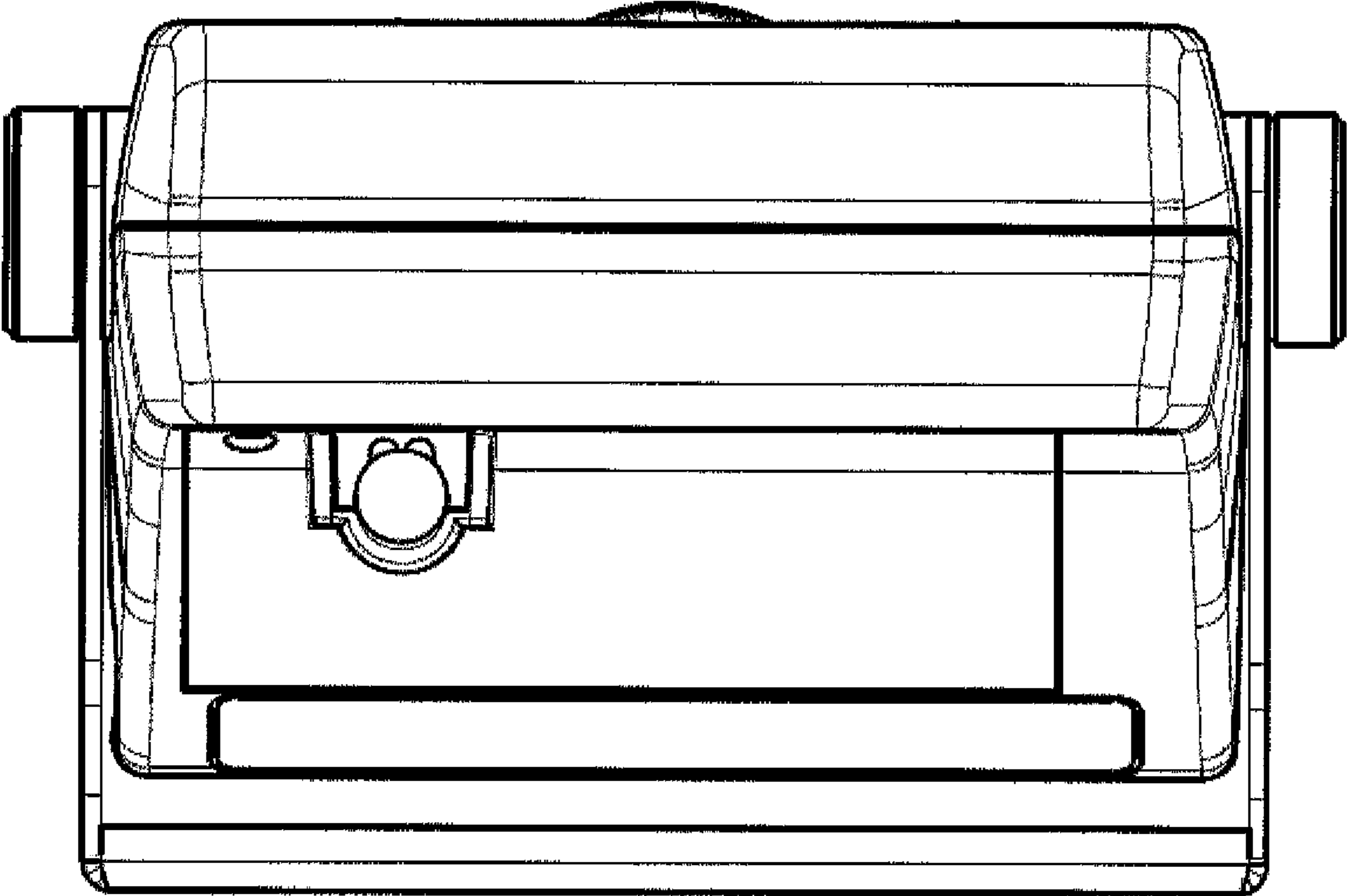


FIG. 3

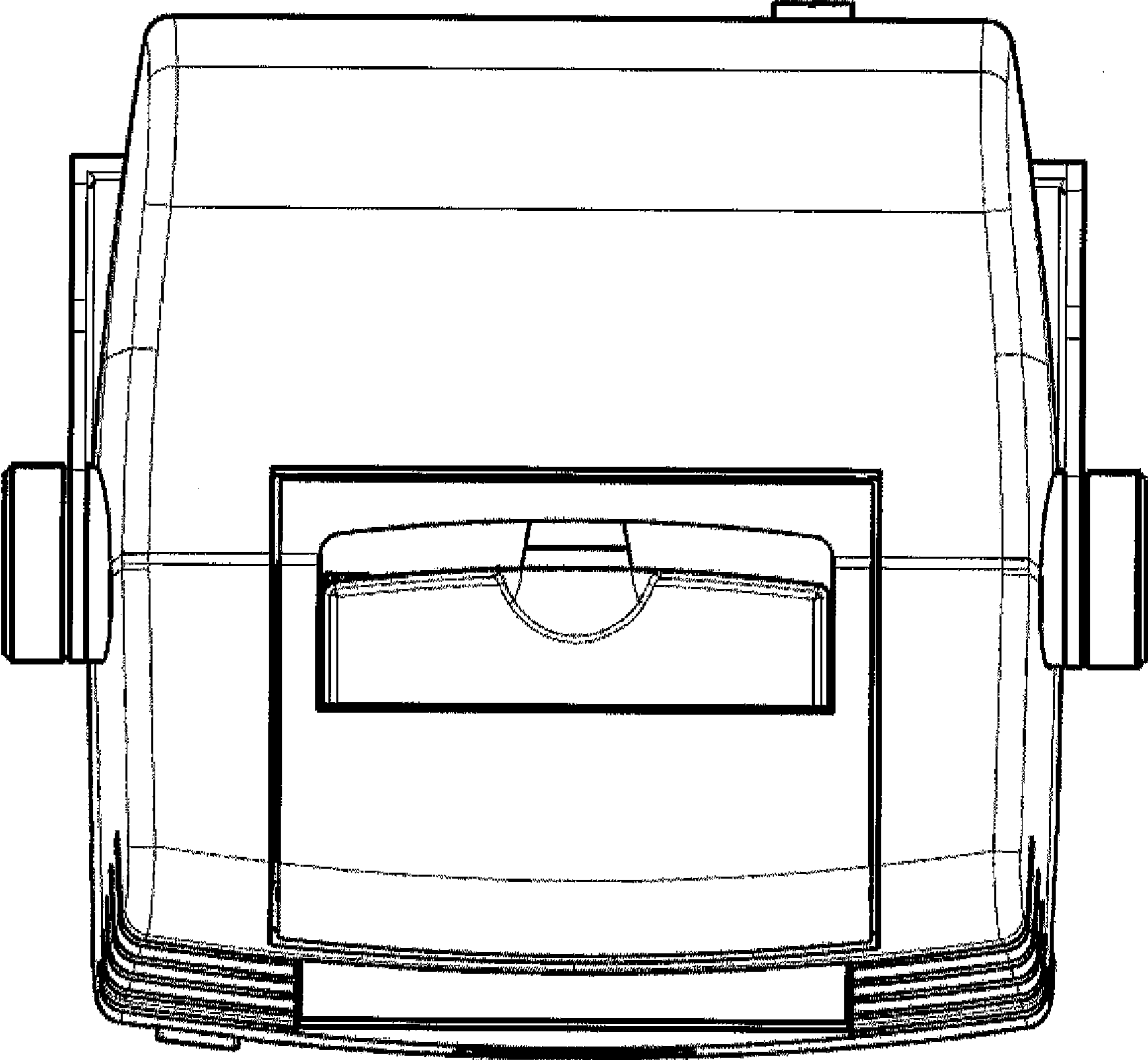


FIG. 4

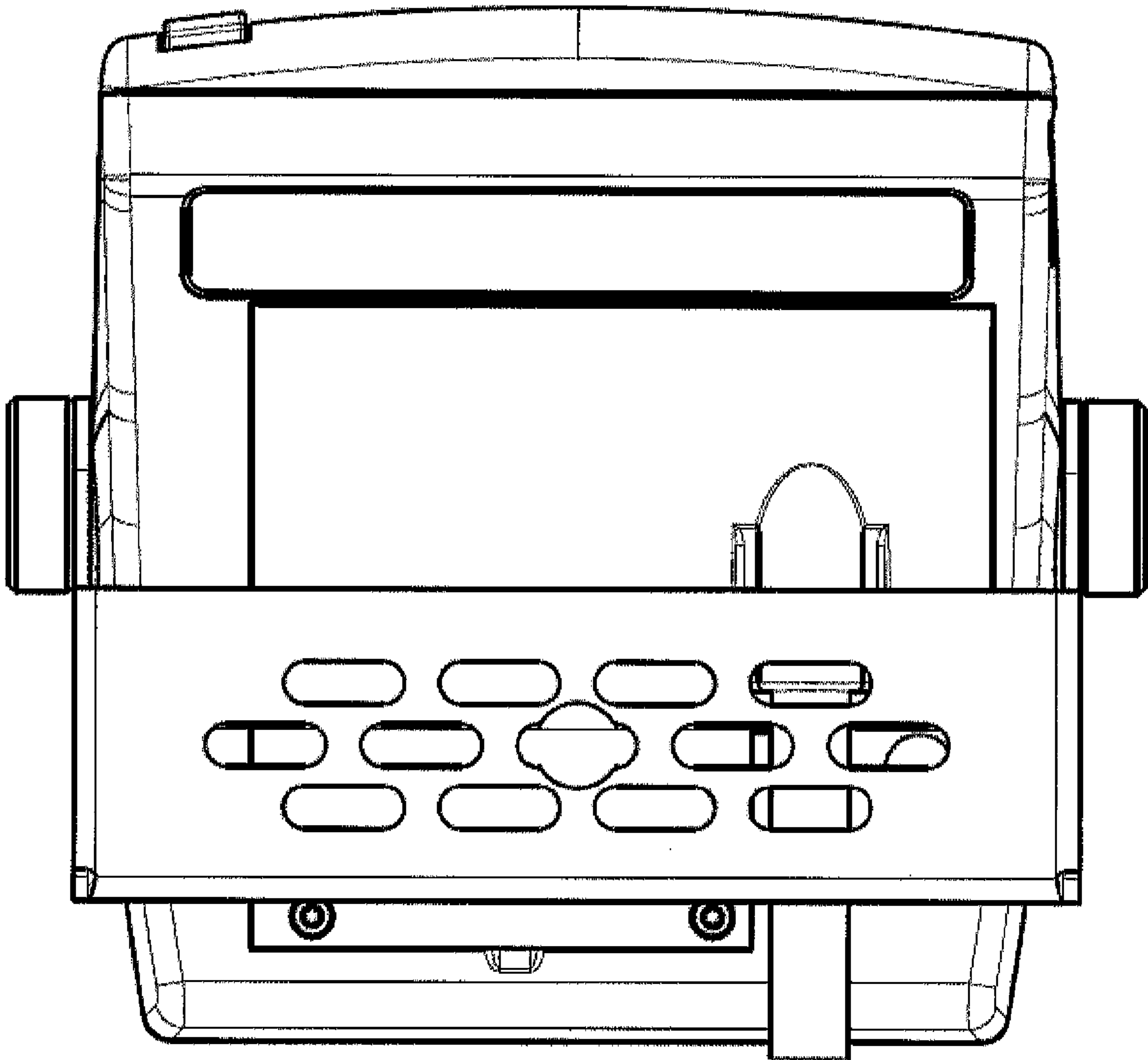


FIG. 5

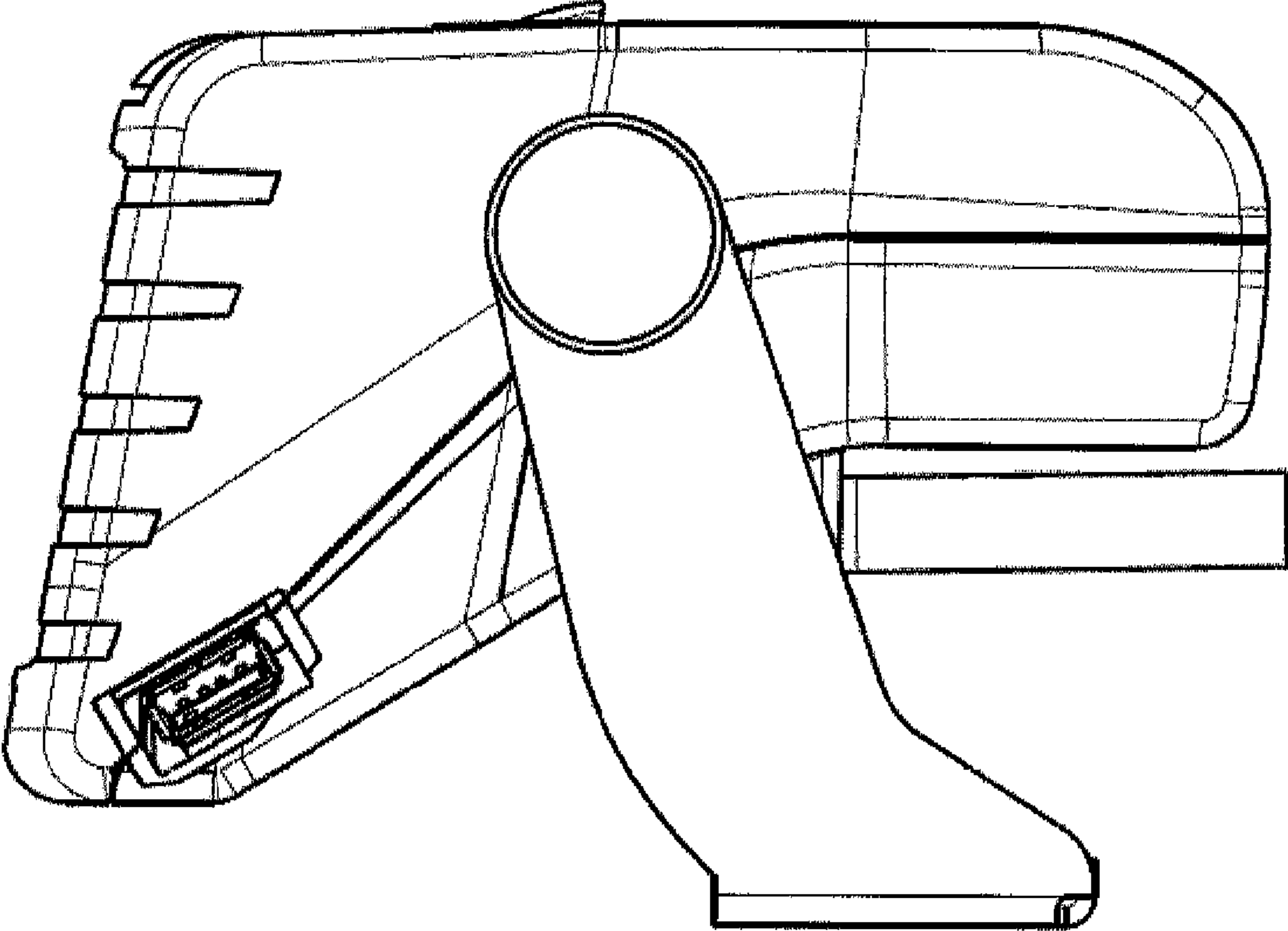


FIG. 6

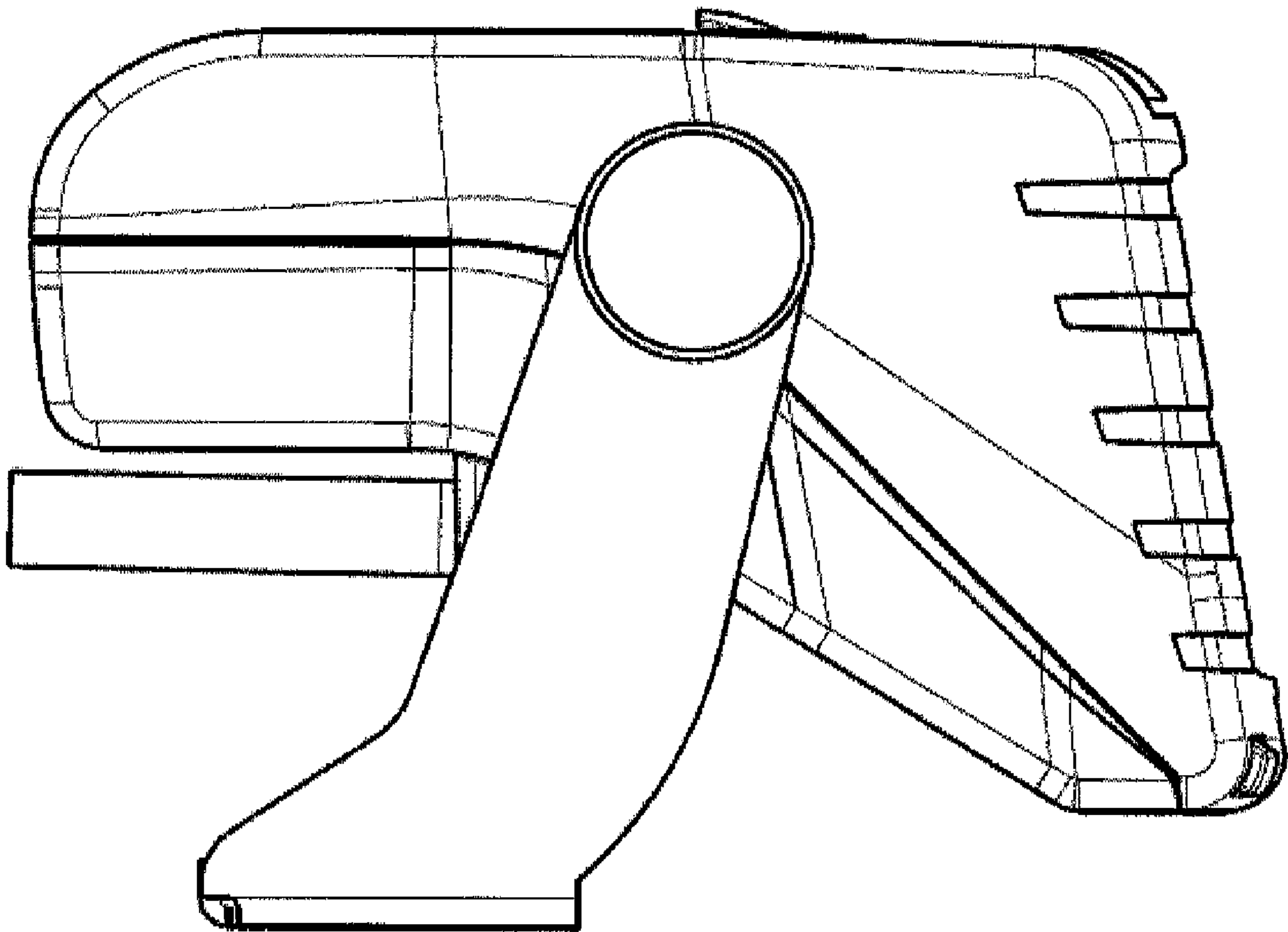


FIG. 7

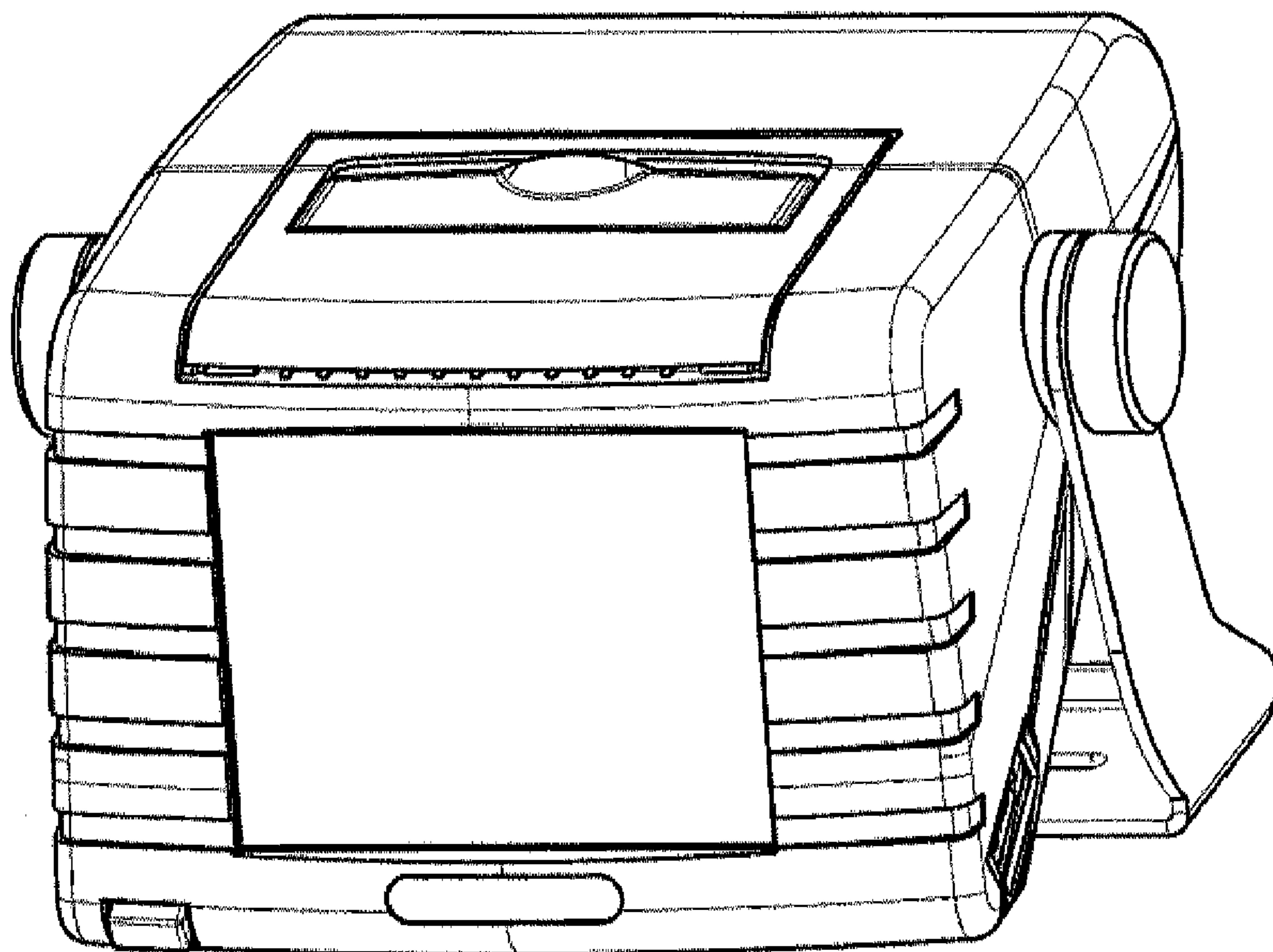


FIG. 8

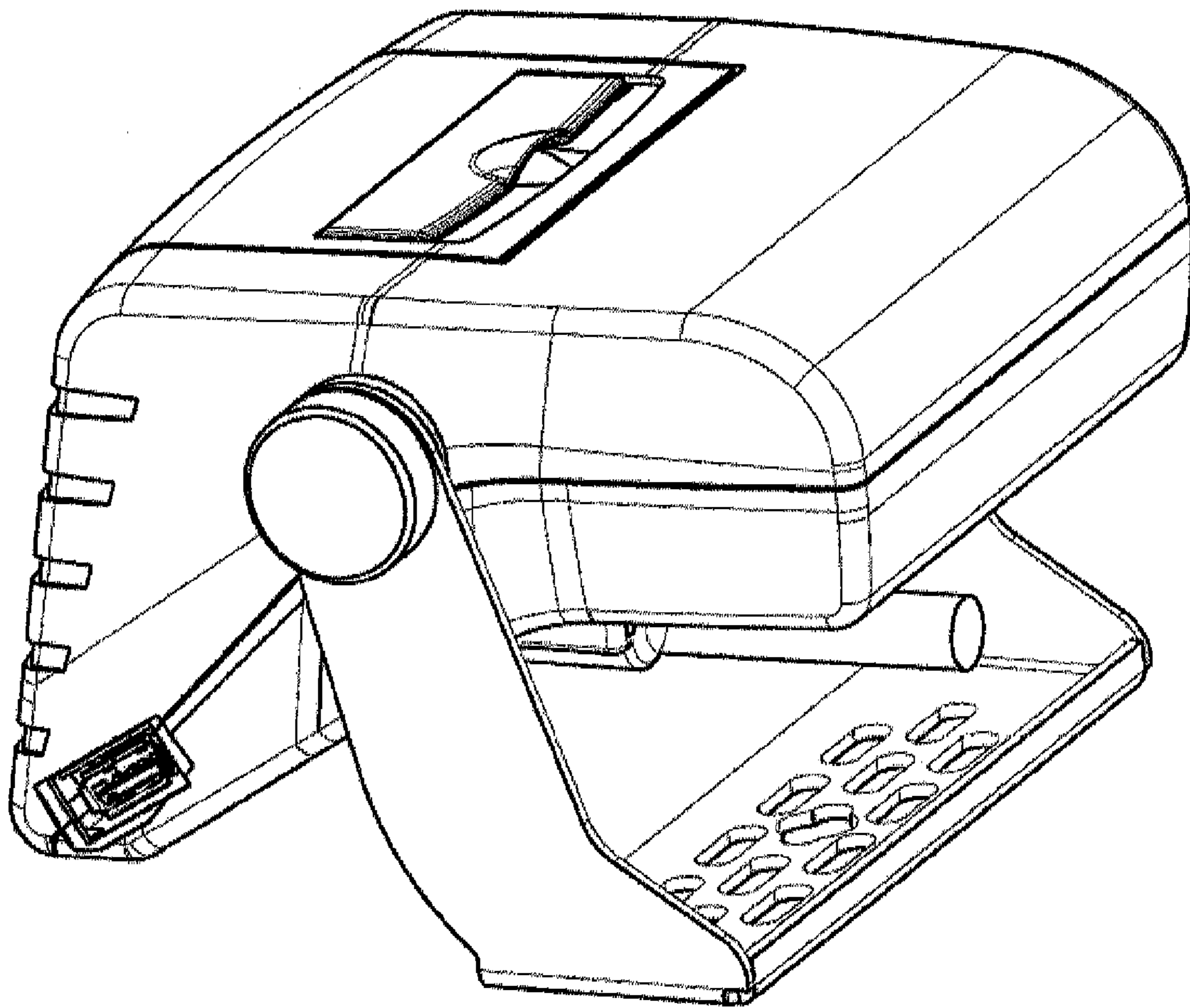


FIG. 9

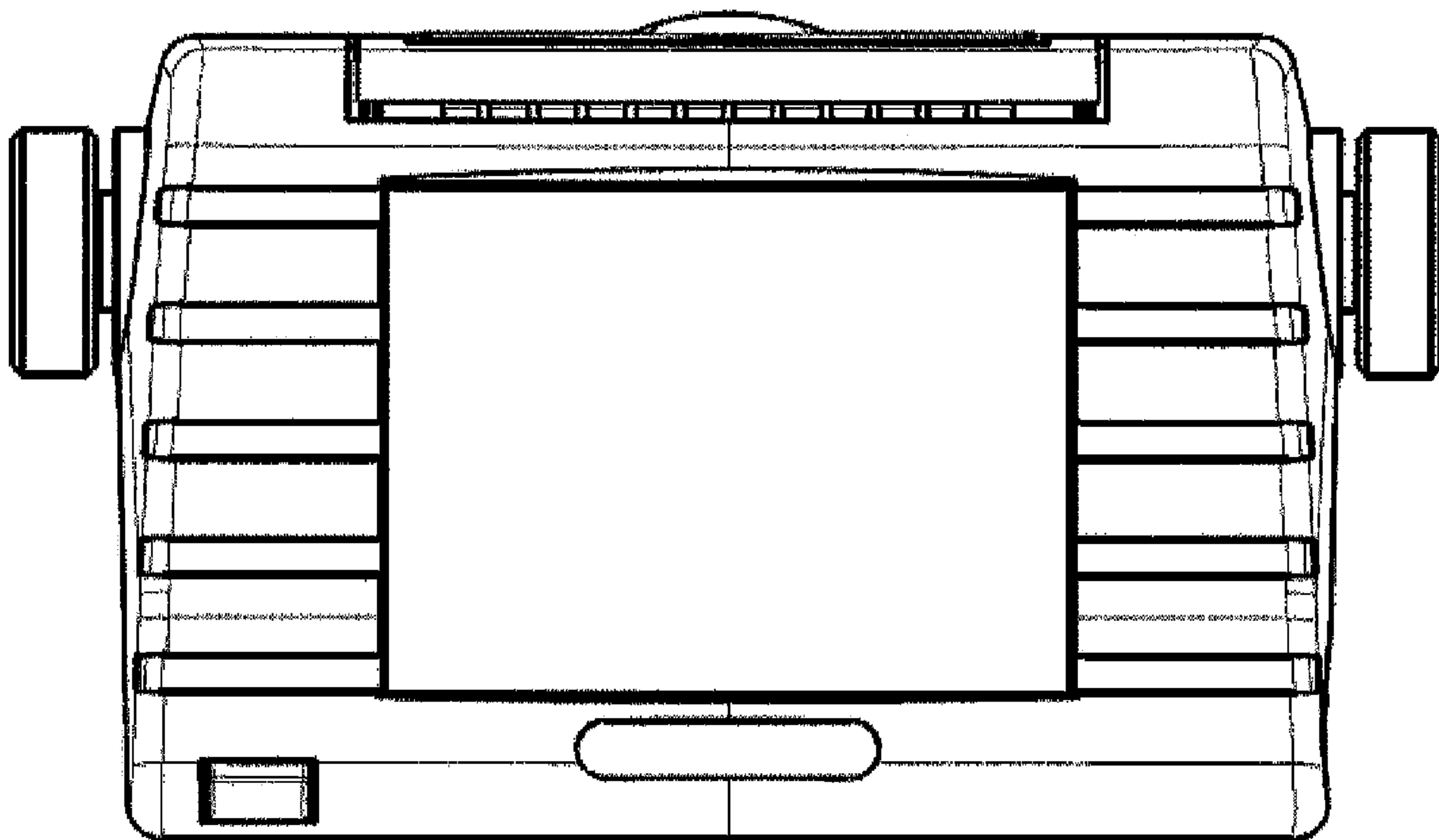


FIG. 10

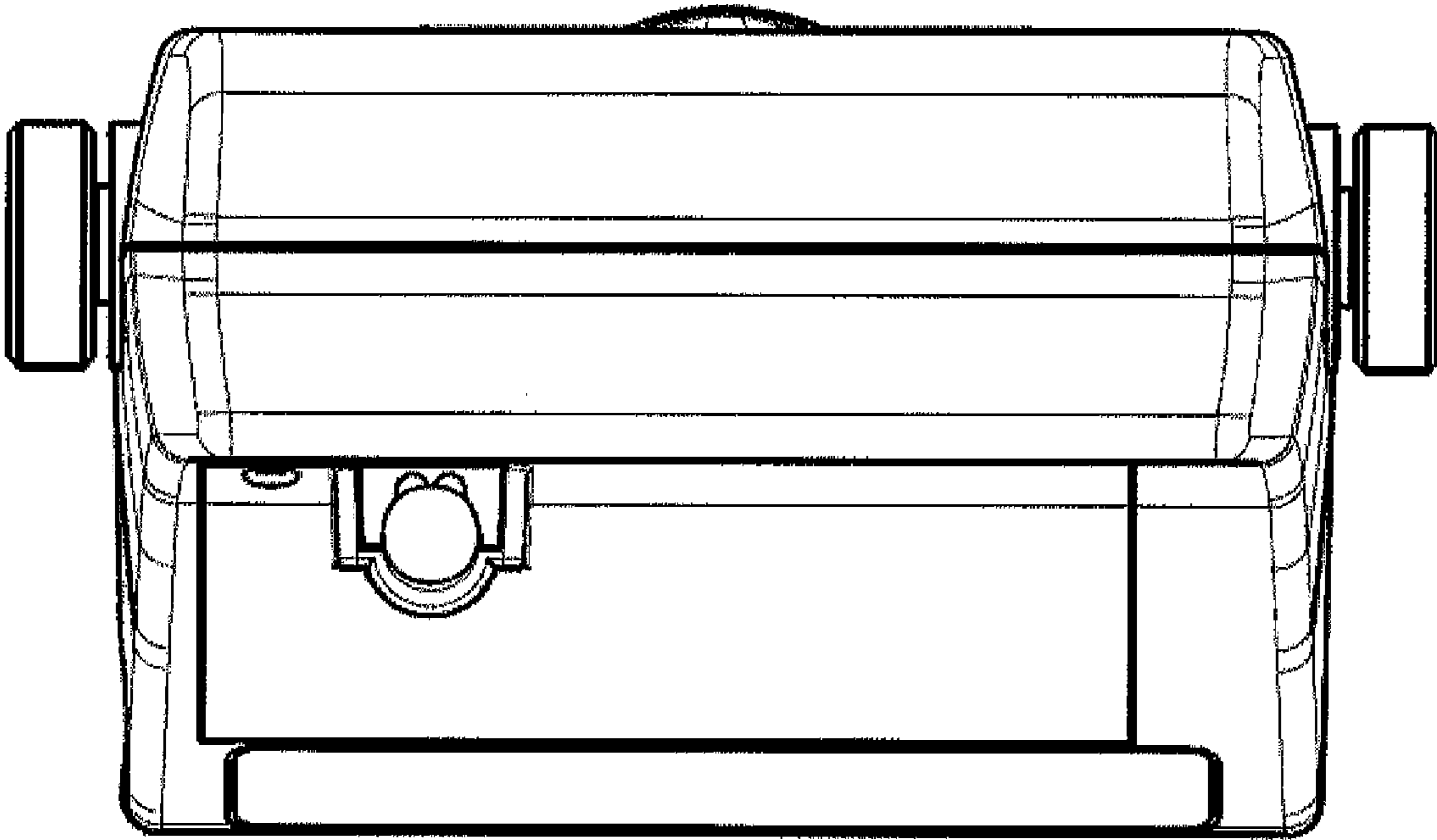


FIG. 11

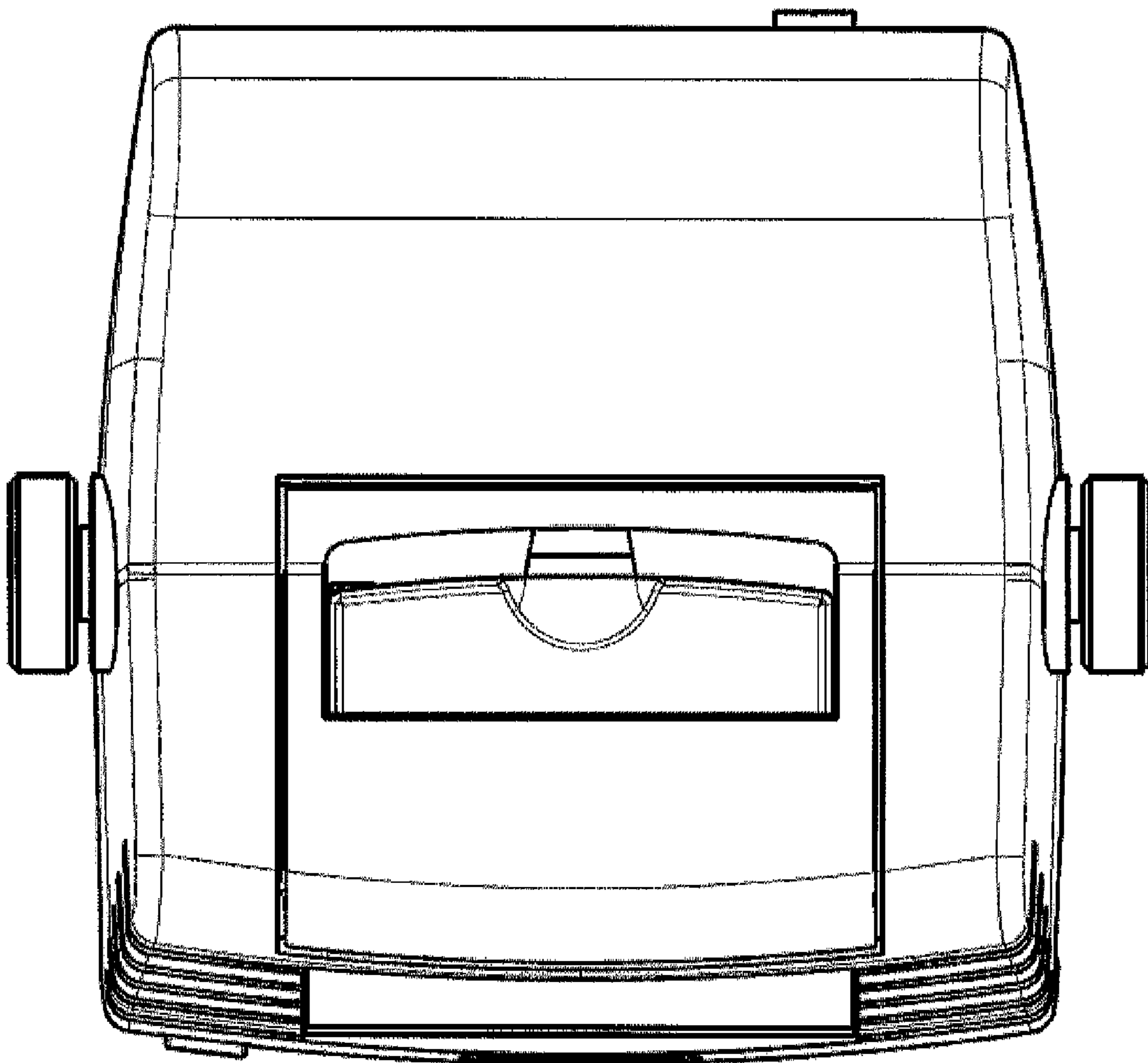


FIG. 12

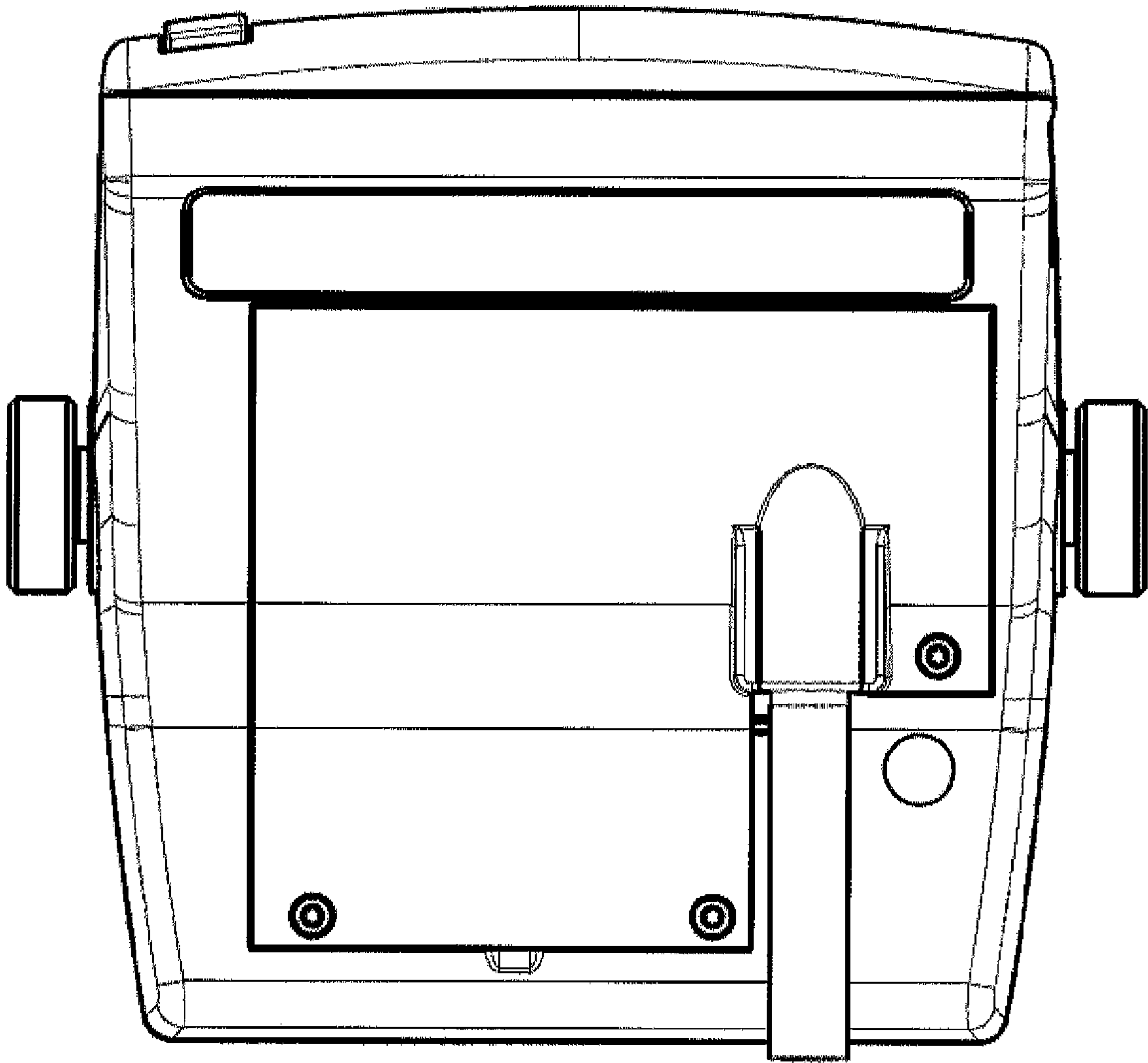


FIG. 13

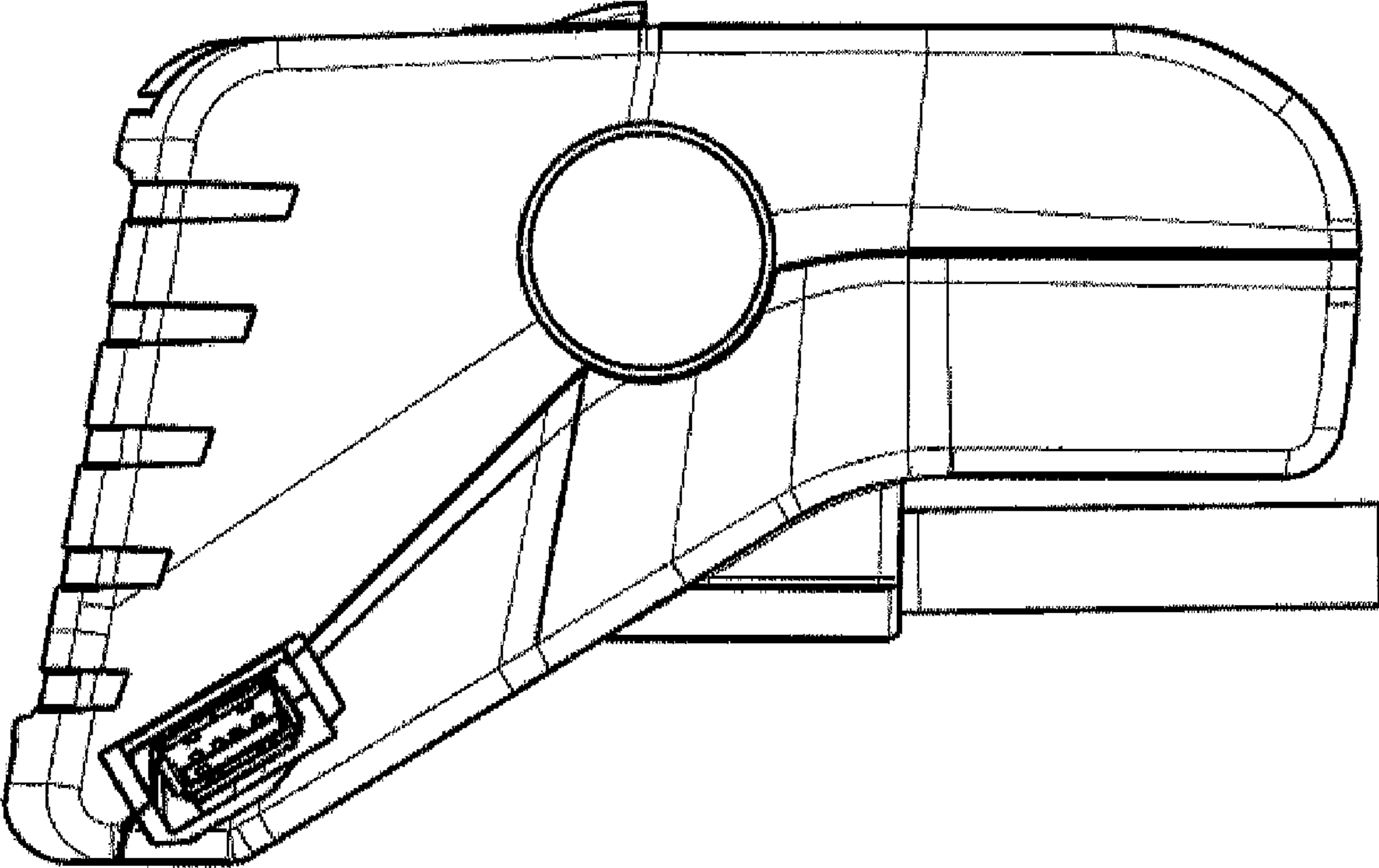


FIG. 14

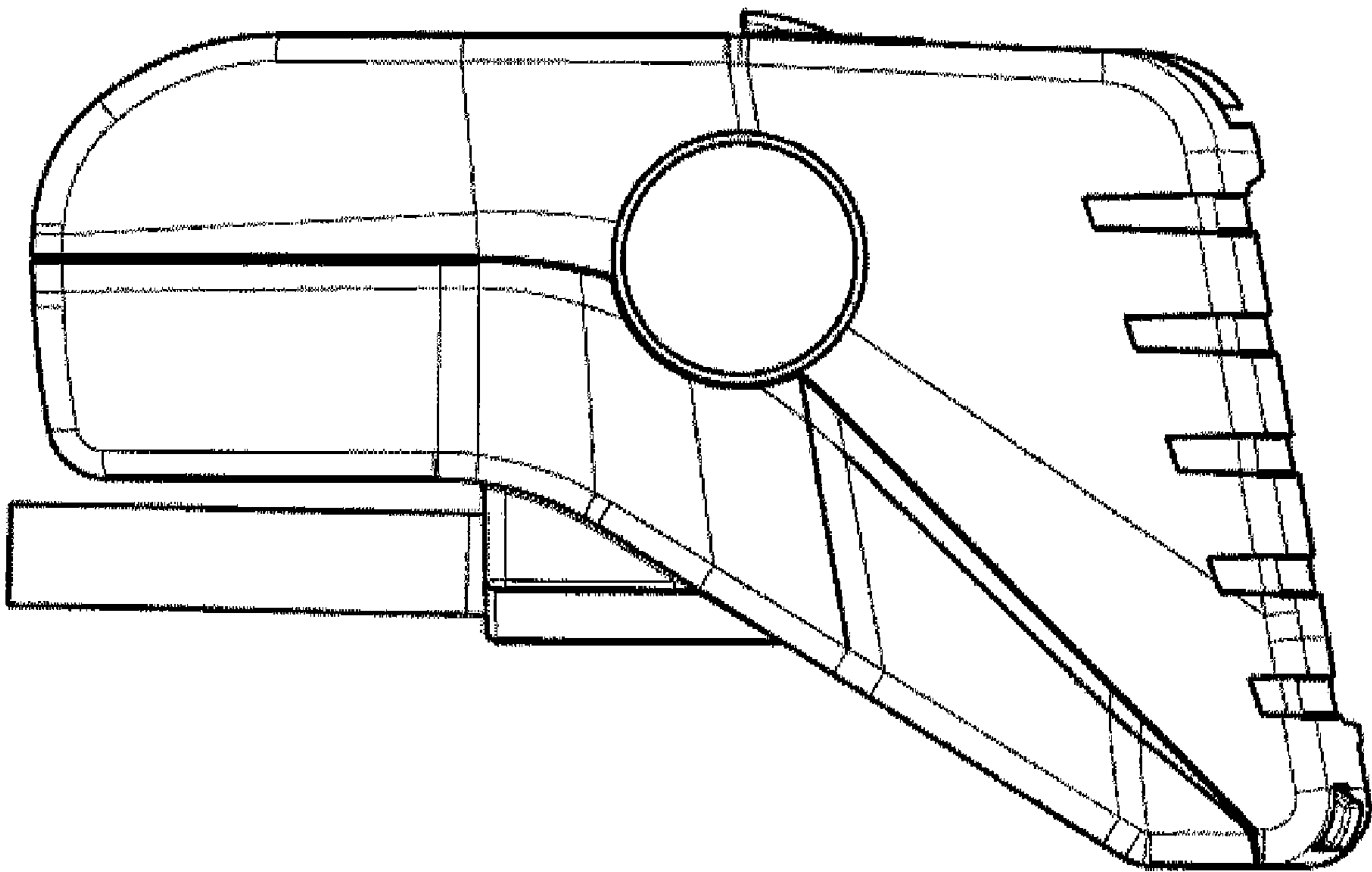


FIG. 15

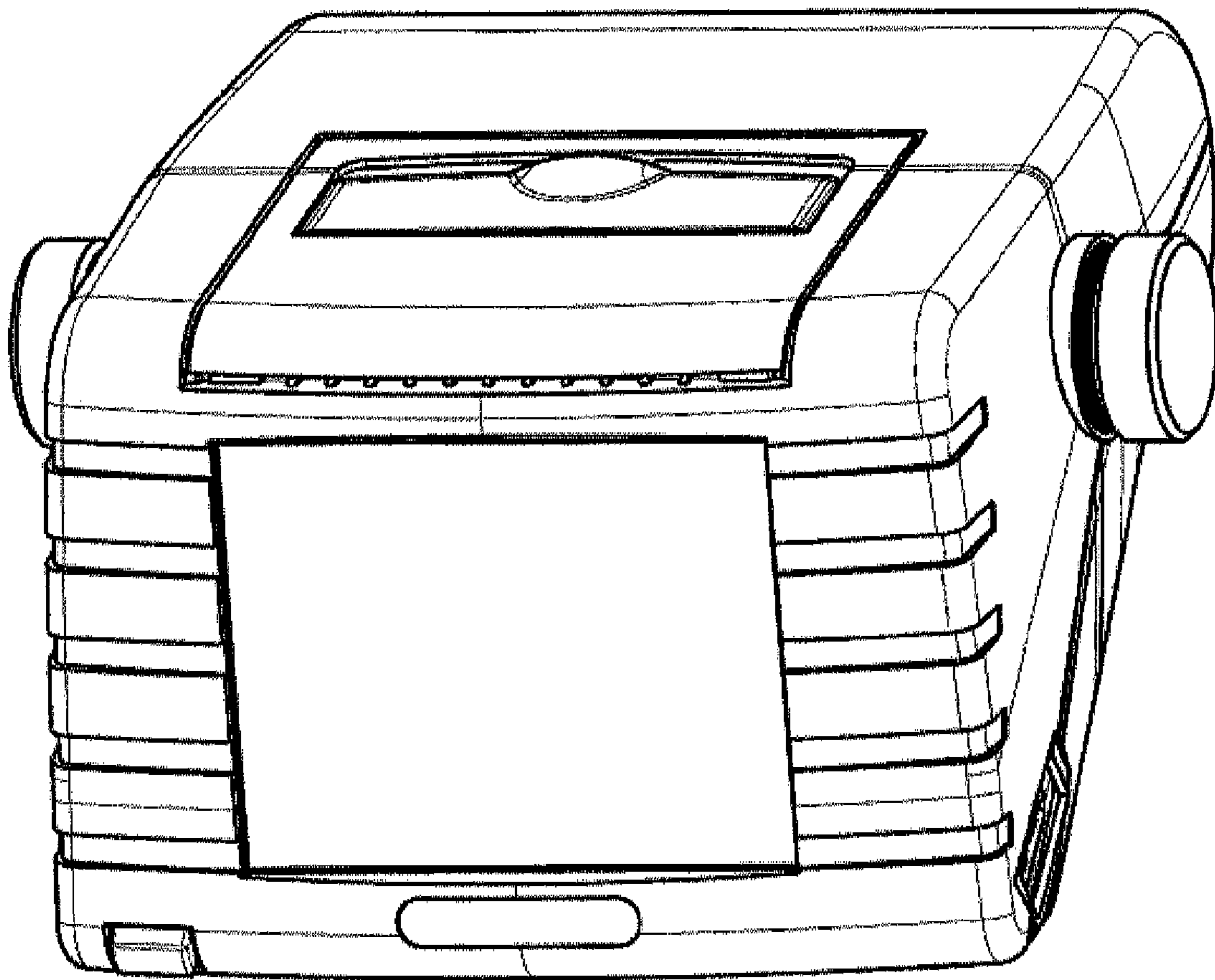


FIG. 16

