



US00D677592S

(12) **United States Design Patent**  
**Au Yeung**

(10) **Patent No.:** **US D677,592 S**  
(45) **Date of Patent:** **\*\* Mar. 12, 2013**

- (54) **PEDOMETER**
- (75) Inventor: **Kwok Keung Au Yeung**, New Territories (HK)
- (73) Assignee: **Ariel Premium Supply, Inc.**, St. Louis, MO (US)
- (\*\*) Term: **14 Years**
- (21) Appl. No.: **29/428,081**
- (22) Filed: **Jul. 25, 2012**
- (51) **LOC (9) Cl.** ..... **10-04**
- (52) **U.S. Cl.** ..... **D10/70; D10/97; D10/98**
- (58) **Field of Classification Search** ..... **D10/70, D10/97, 98; 235/105; 377/5, 24.2, 26; 73/514.33, 73/514.34; 702/155, 160, 176, 78, 79, 82, 702/91, 92-95, 104, 116, 141, 150, 151, 702/154; 324/522**  
See application file for complete search history.

D537,004 S *	2/2007	Eden et al.	.....	D10/70
D578,417 S *	10/2008	Au Yeung	.....	D10/70
D578,418 S *	10/2008	Au Yeung	.....	D10/70
D578,419 S *	10/2008	Au Yeung	.....	D10/70
D630,112 S *	1/2011	Maruyama et al.	.....	D10/70
D635,871 S *	4/2011	Au Yeung	.....	D10/70
D635,872 S *	4/2011	Au Yeung	.....	D10/70
D657,702 S *	4/2012	Au Yeung	.....	D10/70
D666,112 S *	8/2012	Chang	.....	D10/70

\* cited by examiner

*Primary Examiner* — Antoine D Davis  
(74) *Attorney, Agent, or Firm* — Intellectual Property Law Group LLP

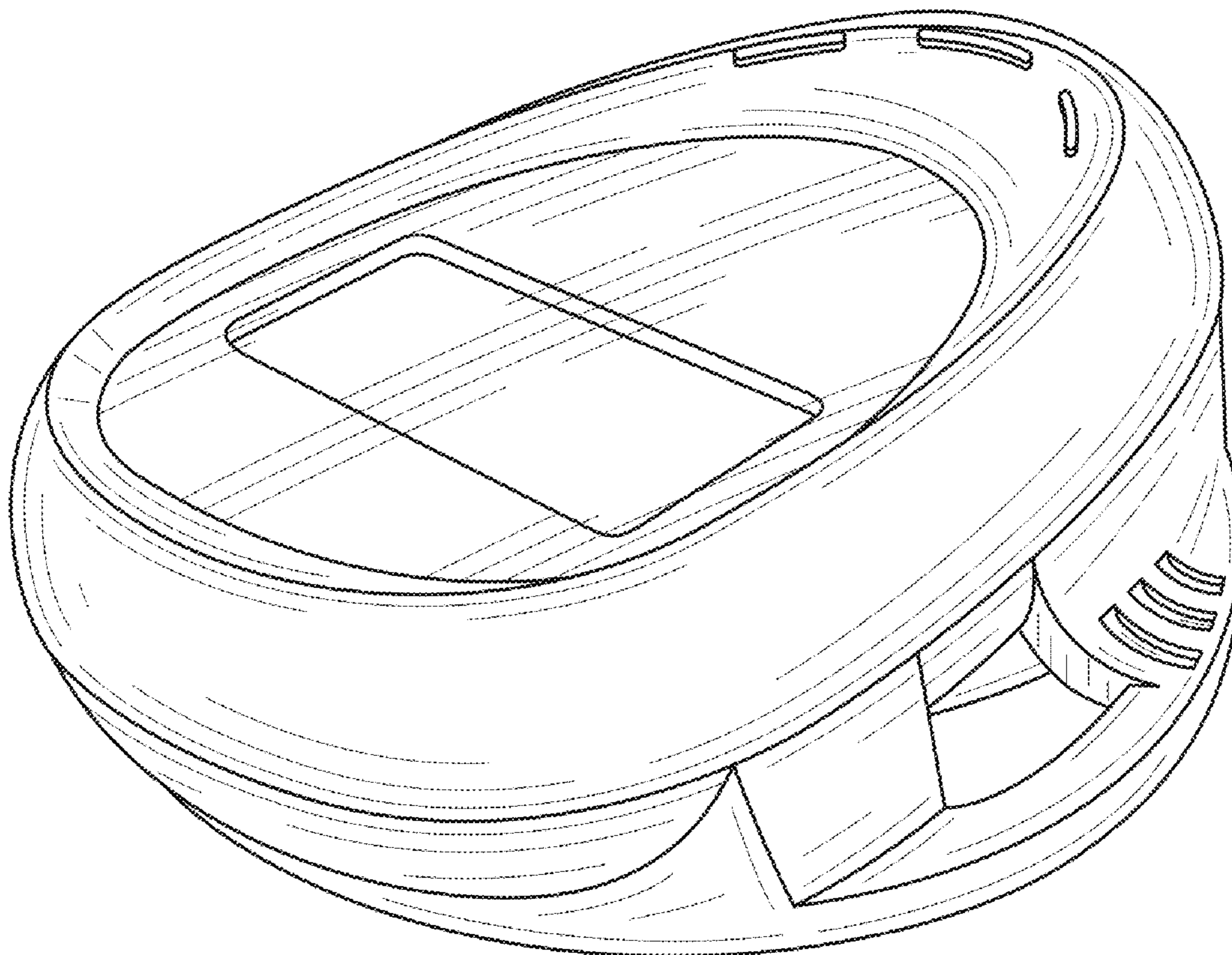
(57) **CLAIM**  
The ornamental design for a pedometer, as shown and described.

**DESCRIPTION**

FIG. 1 is a perspective view of a pedometer embodying my new design;  
FIG. 2 is a top plan view thereof;  
FIG. 3 is a bottom plan view thereof;  
FIG. 4 is a right side elevational view thereof;  
FIG. 5 is a left side elevational view thereof;  
FIG. 6 is a front view thereof; and,  
FIG. 7 is a rear view thereof.

**1 Claim, 3 Drawing Sheets**

- (56) **References Cited**
- U.S. PATENT DOCUMENTS
- D476,251 S \* 6/2003 Ogawa et al. .... D10/70
- D521,401 S \* 5/2006 Bohne ..... D10/70
- D525,889 S \* 8/2006 Oas ..... D10/70
- D526,916 S \* 8/2006 Oas ..... D10/70



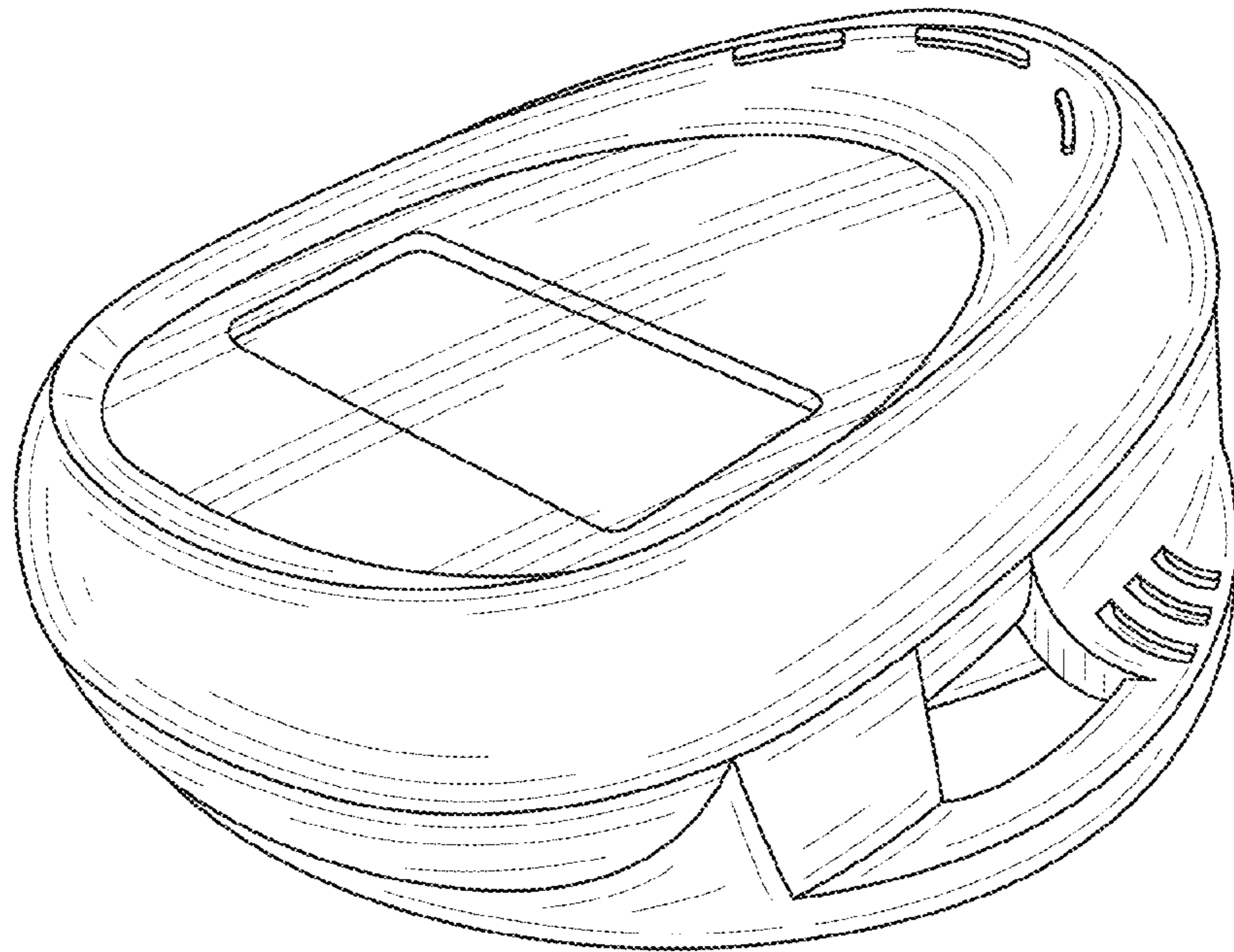


FIG. 1

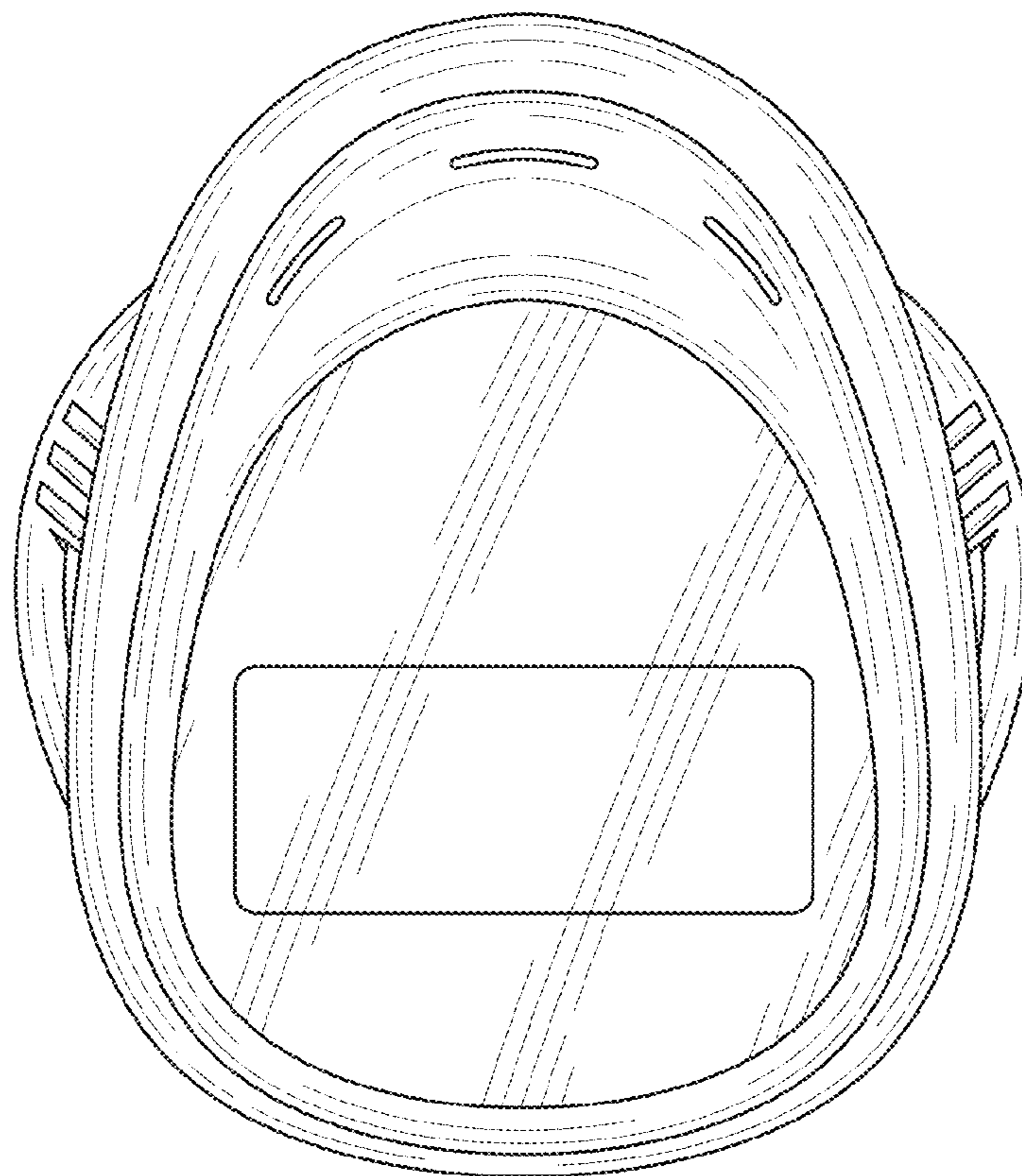


FIG. 2



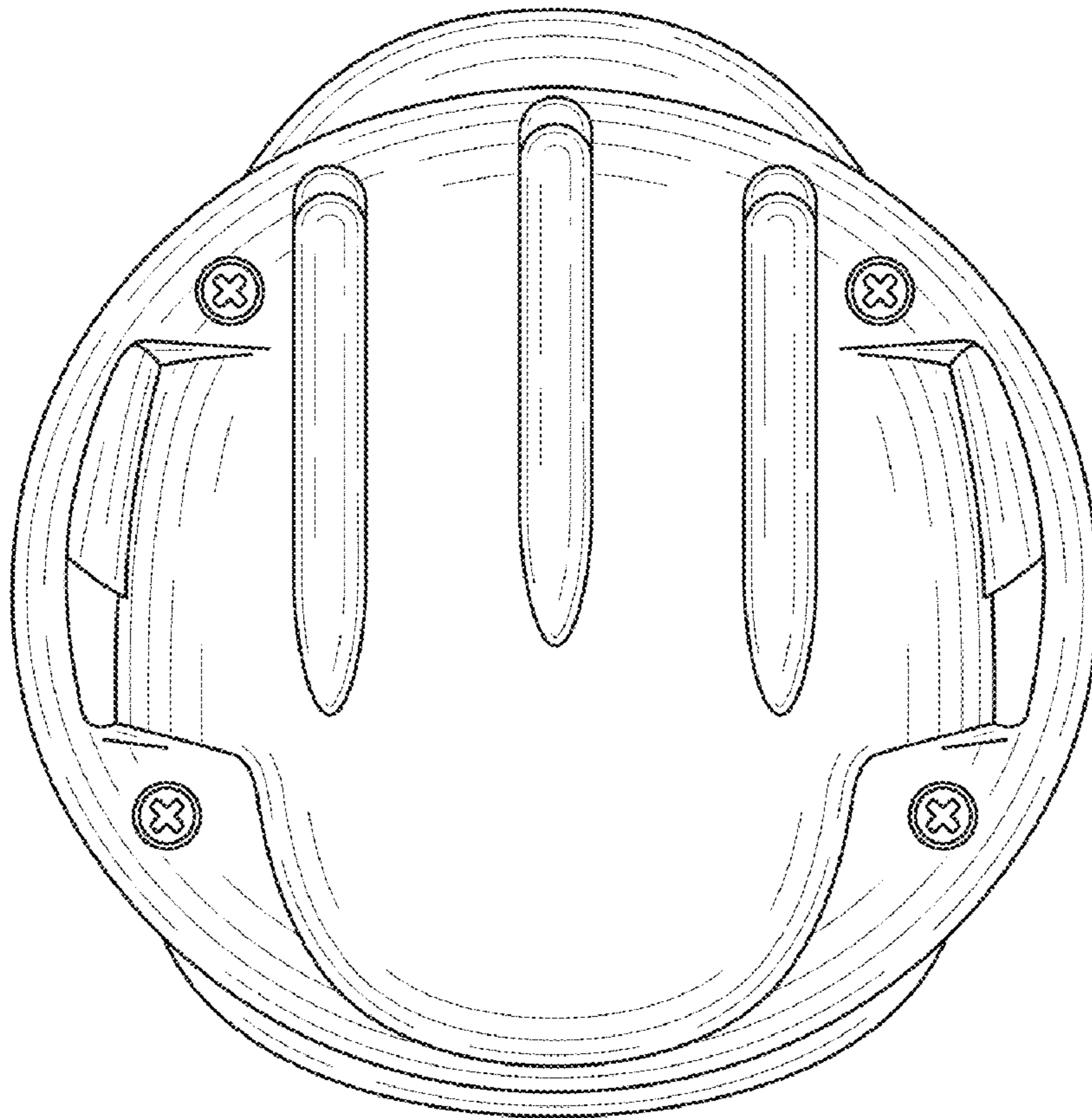


FIG. 3

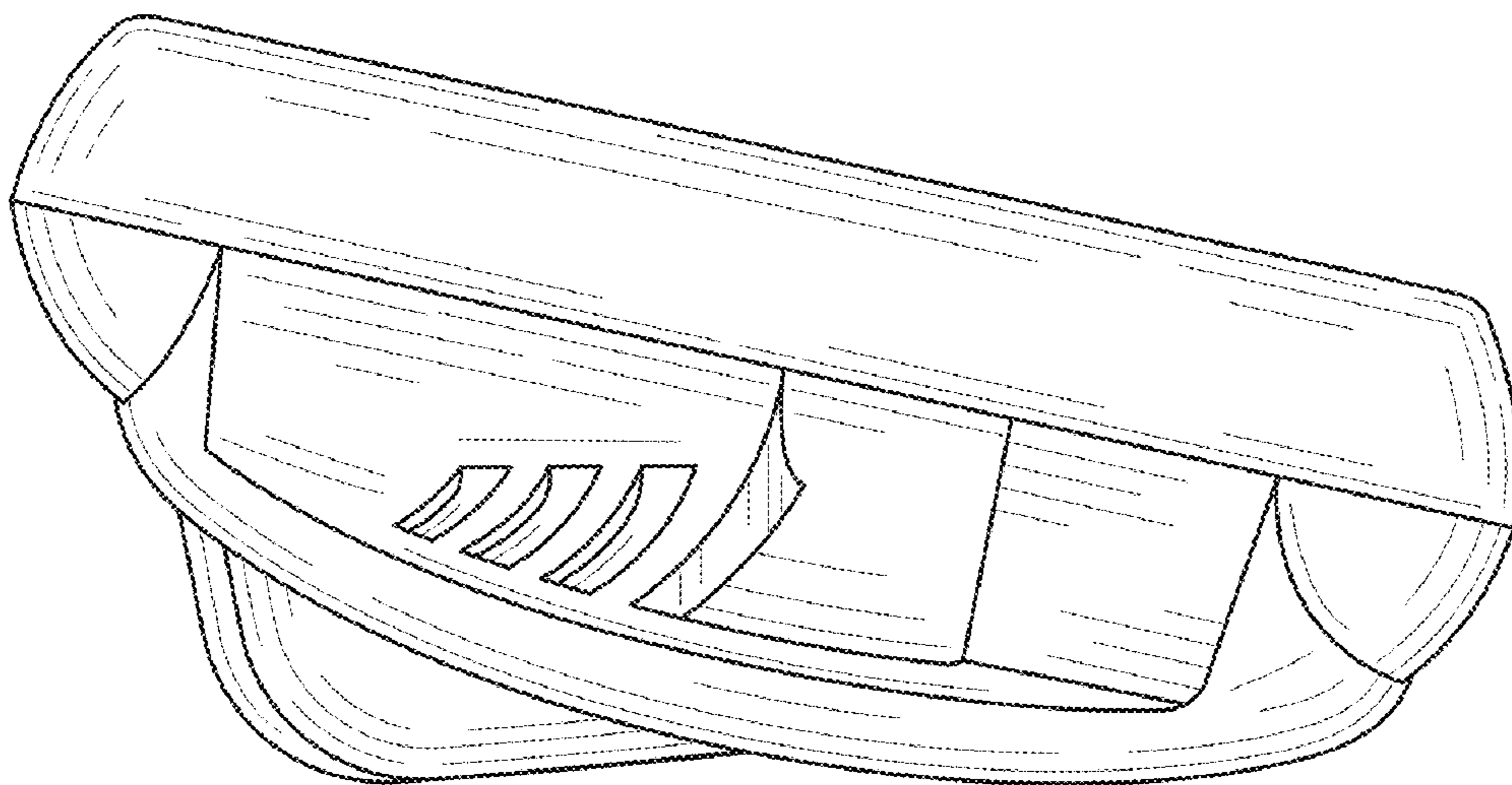


FIG. 4

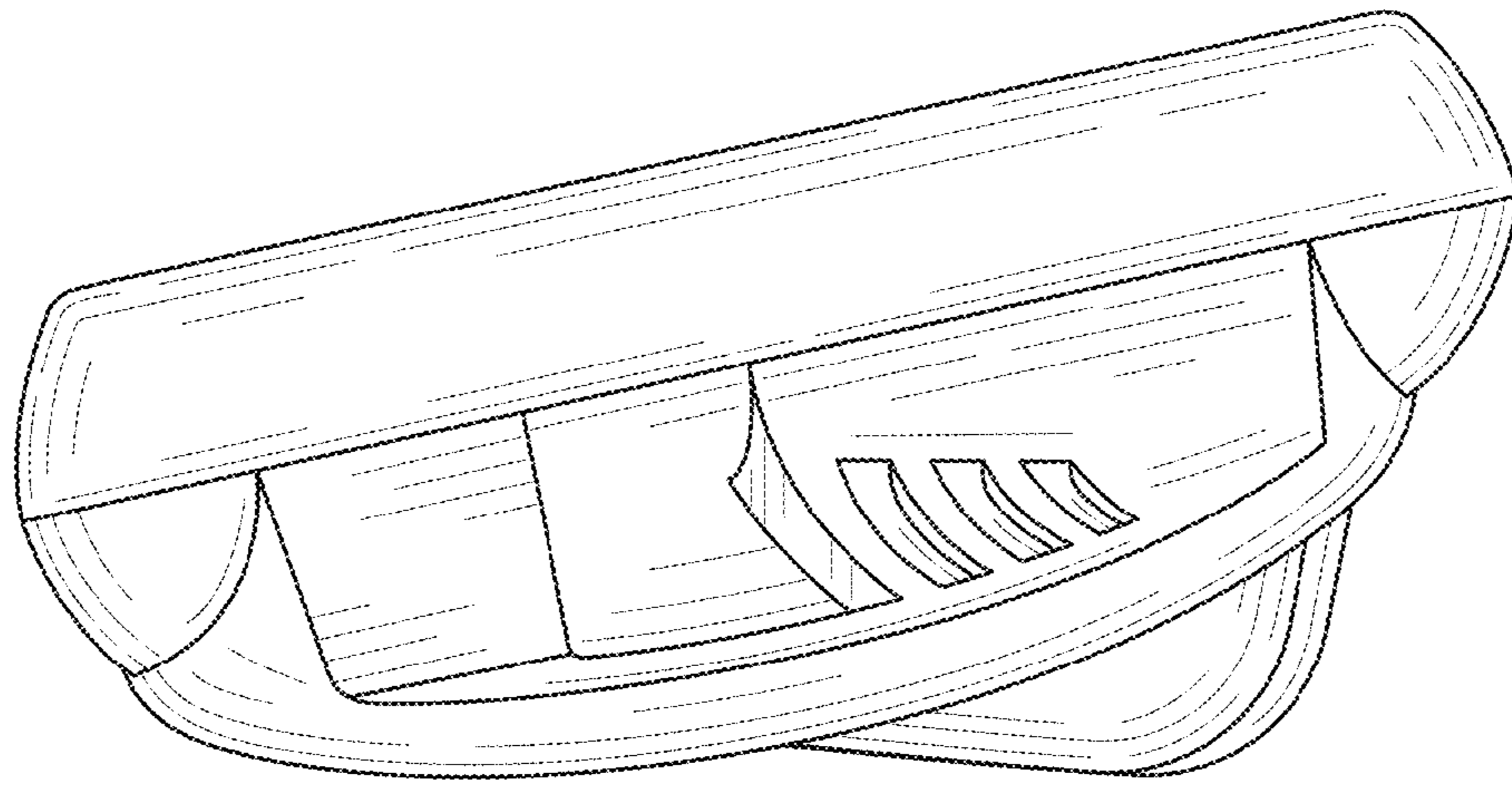


FIG. 5

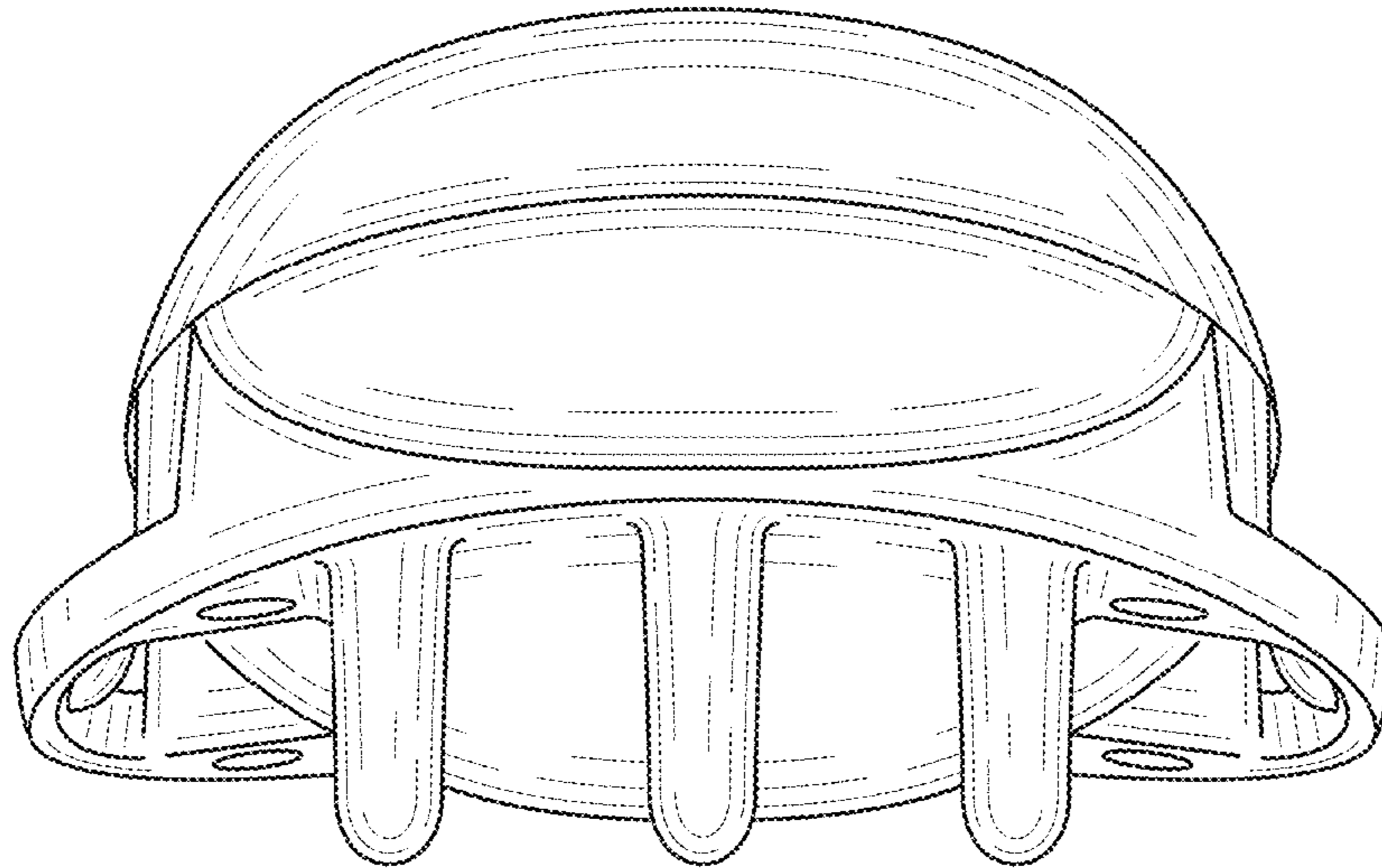


FIG. 6

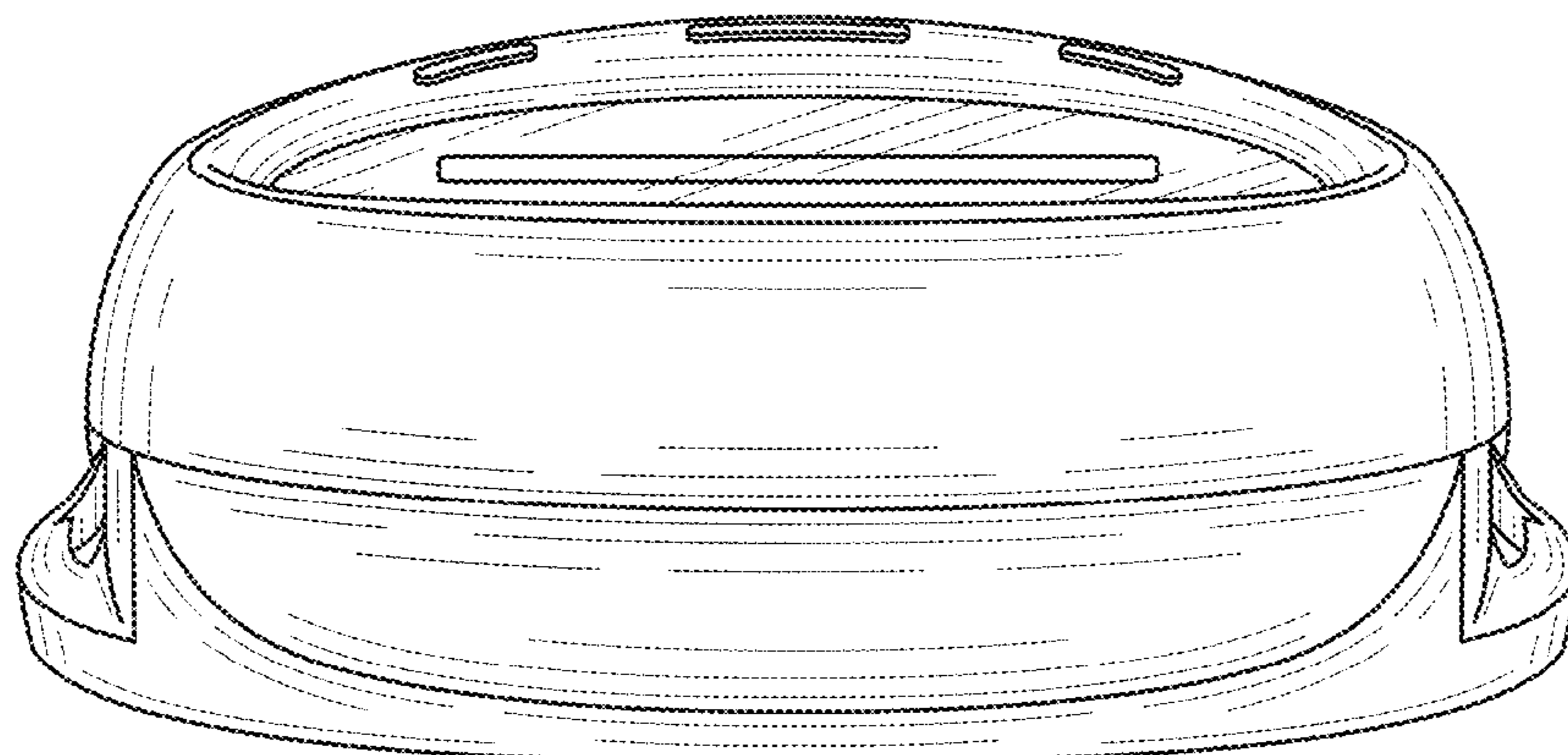


FIG. 7