



US00D677591S

(12) **United States Design Patent**
Au Yeung

(10) **Patent No.:** **US D677,591 S**
(45) **Date of Patent:** **** Mar. 12, 2013**

(54) **PEDOMETER**
(75) **Inventor:** **Kwok Keung Au Yeung**, New Territories (HK)
(73) **Assignee:** **Ariel Premium Supply, Inc.**, St. Louis, MO (US)
(**) **Term:** **14 Years**

(21) **Appl. No.:** **29/428,080**

(22) **Filed:** **Jul. 25, 2012**

(51) **LOC (9) Cl.** **10-04**

(52) **U.S. Cl.** **D10/70; D10/97; D10/98**

(58) **Field of Classification Search** **D10/70, D10/97, 98; 235/105; 377/5, 24.2, 26; 73/514.33, 73/514.34; 702/155, 160, 176, 78, 79, 82, 702/91, 92-95, 104, 116, 141, 150, 151, 702/154; 324/522**

See application file for complete search history.

(56) **References Cited**

U.S. PATENT DOCUMENTS

D476,251 S *	6/2003	Ogawa et al.	D10/70
D521,401 S *	5/2006	Bohne	D10/70
D525,889 S *	8/2006	Oas	D10/70
D526,916 S *	8/2006	Oas	D10/70

D537,004 S *	2/2007	Eden et al.	D10/70
D578,417 S *	10/2008	Au Yeung	D10/70
D578,418 S *	10/2008	Au Yeung	D10/70
D578,419 S *	10/2008	Au Yeung	D10/70
D630,112 S *	1/2011	Maruyama et al.	D10/70
D635,871 S *	4/2011	Au Yeung	D10/70
D635,872 S *	4/2011	Au Yeung	D10/70
D657,702 S *	4/2012	Au Yeung	D10/70
D666,112 S *	8/2012	Chang	D10/70

* cited by examiner

Primary Examiner — Antoine D Davis

(74) *Attorney, Agent, or Firm* — Intellectual Property Law Group LLP

(57) **CLAIM**

The ornamental design for a pedometer, as shown and described.

DESCRIPTION

FIG. 1 is a perspective view of a pedometer embodying my new design;

FIG. 2 is a top plan view thereof;

FIG. 3 is a bottom plan view thereof;

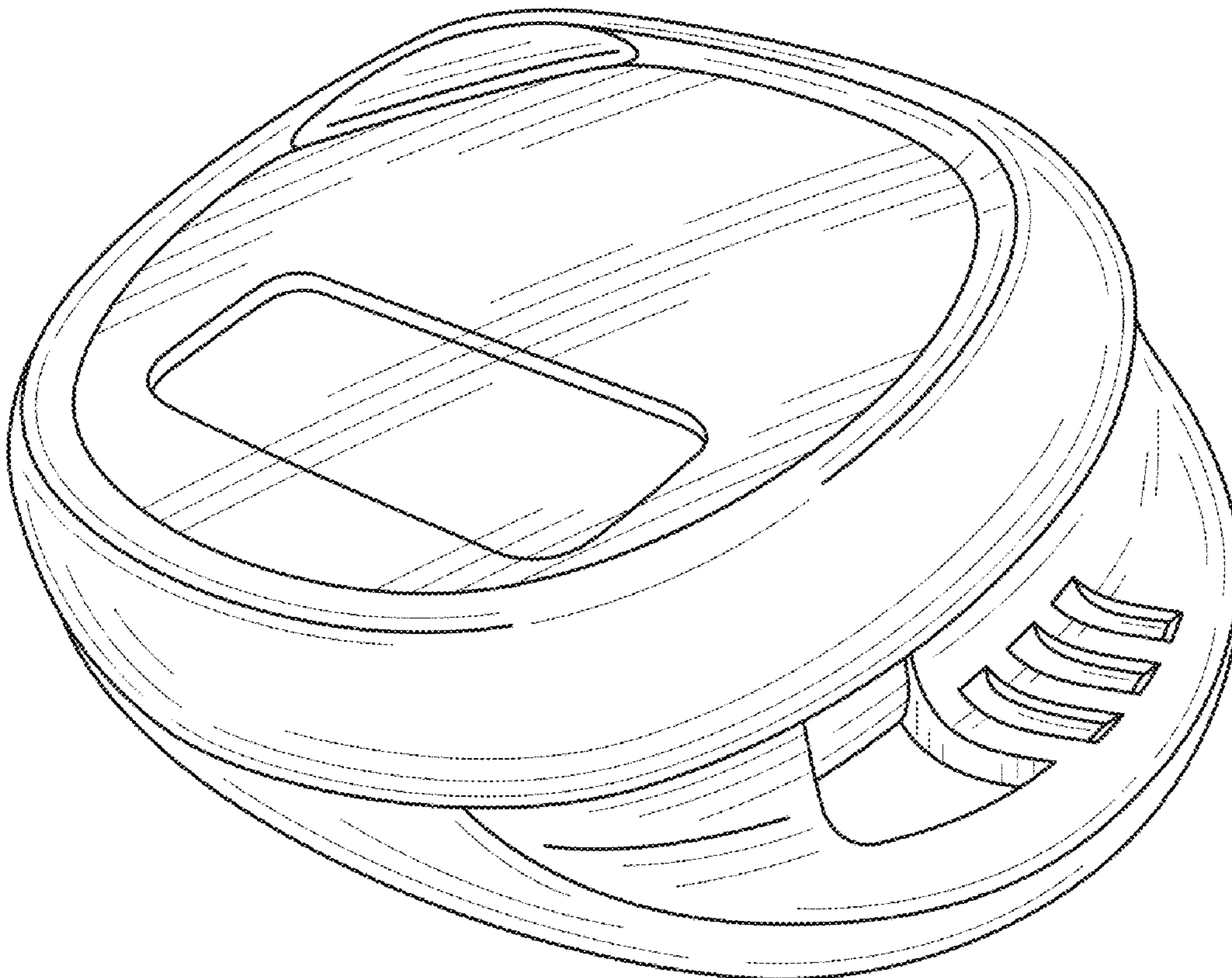
FIG. 4 is a right side elevational view thereof;

FIG. 5 is a left side elevational view thereof;

FIG. 6 is a front view thereof; and,

FIG. 7 is a rear view thereof.

1 Claim, 3 Drawing Sheets



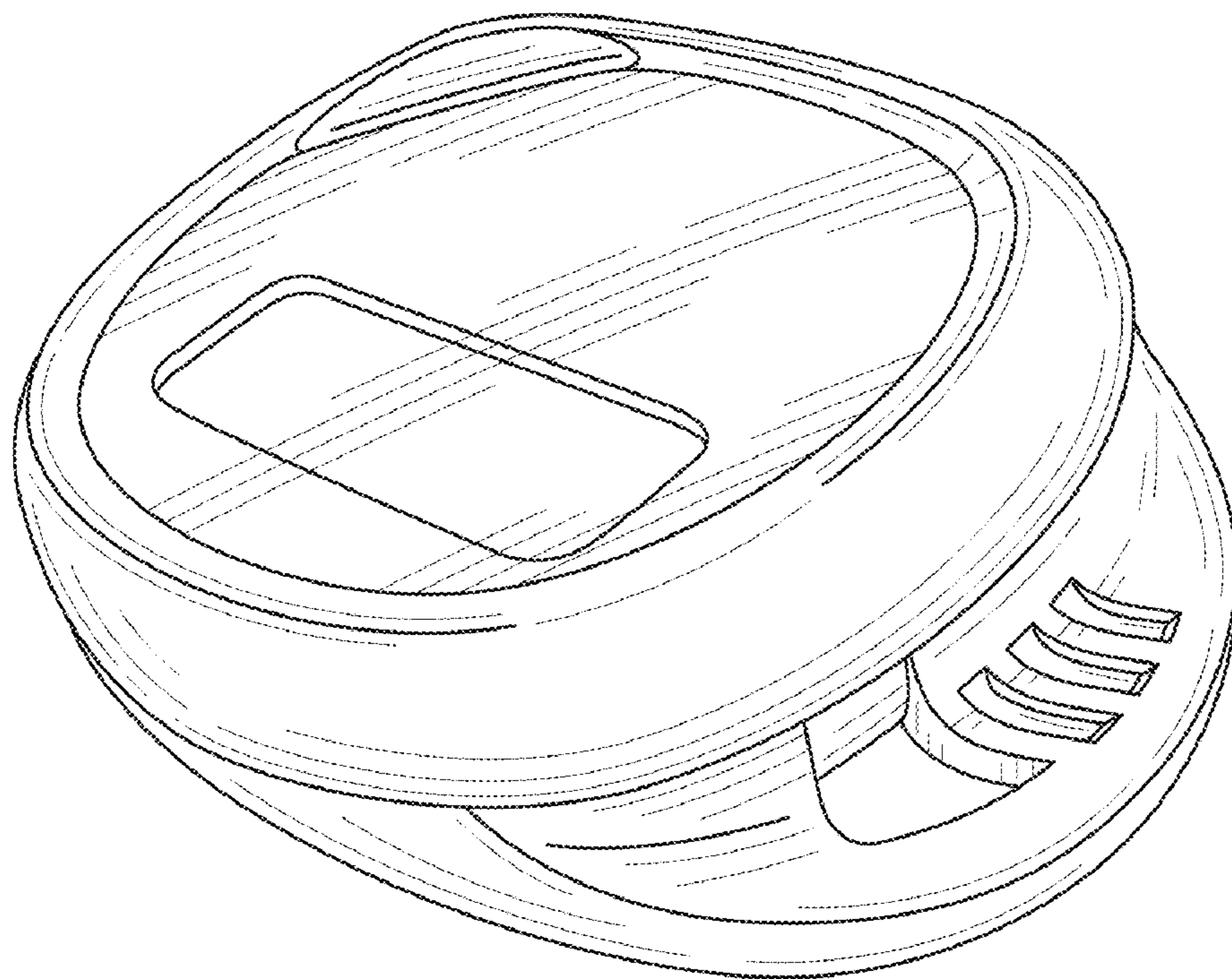


FIG. 1

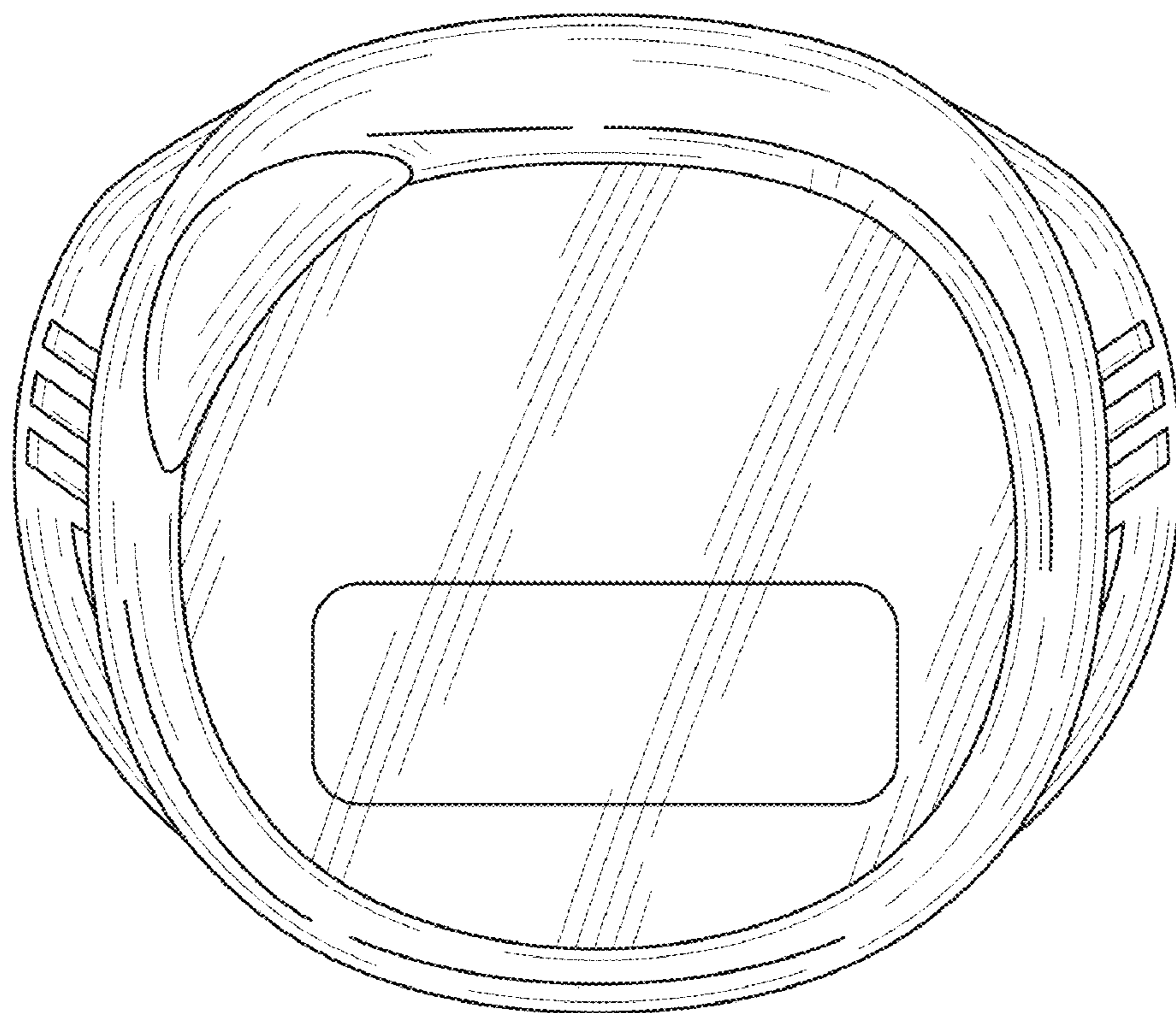


FIG. 2

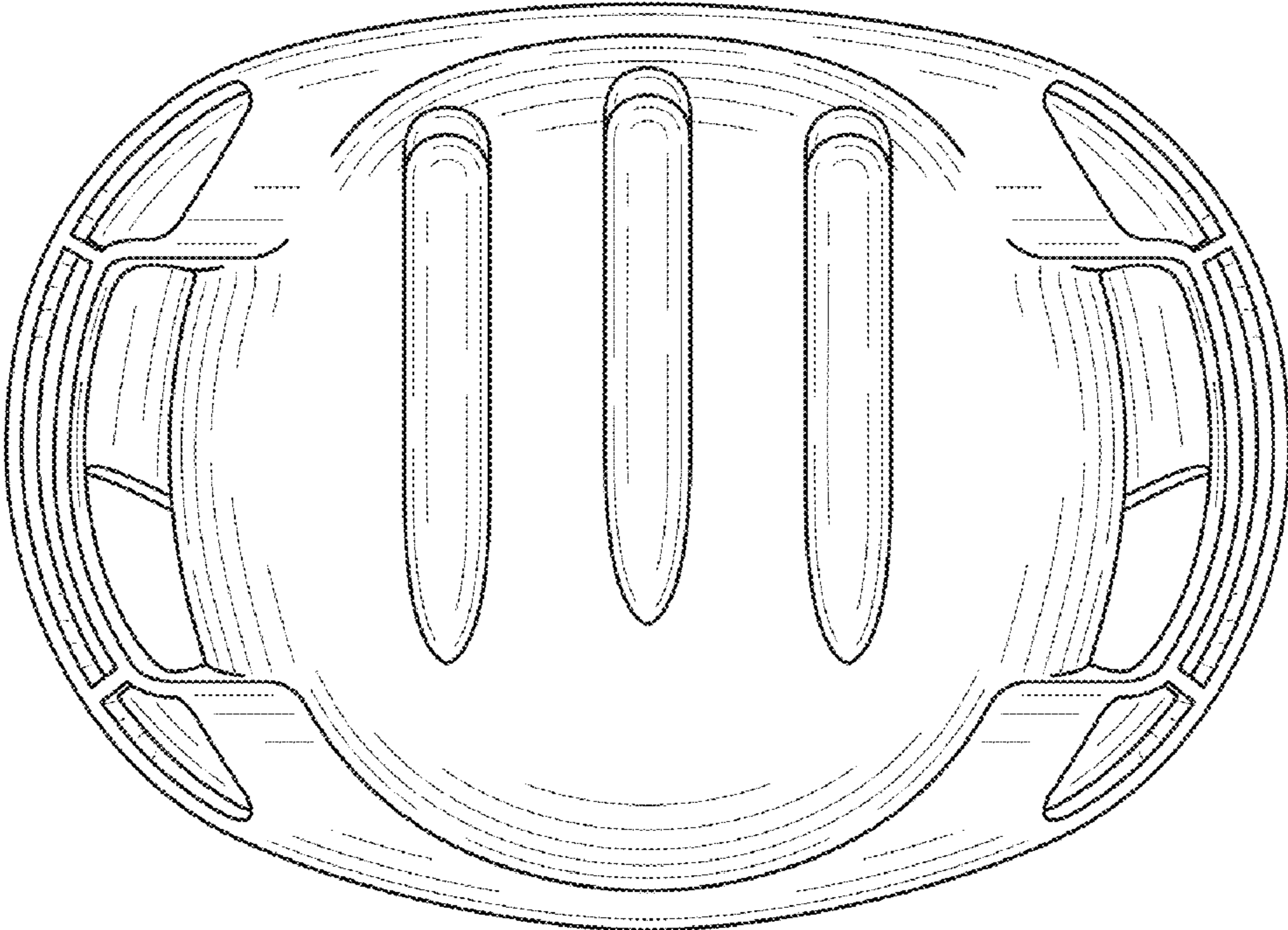


FIG. 3

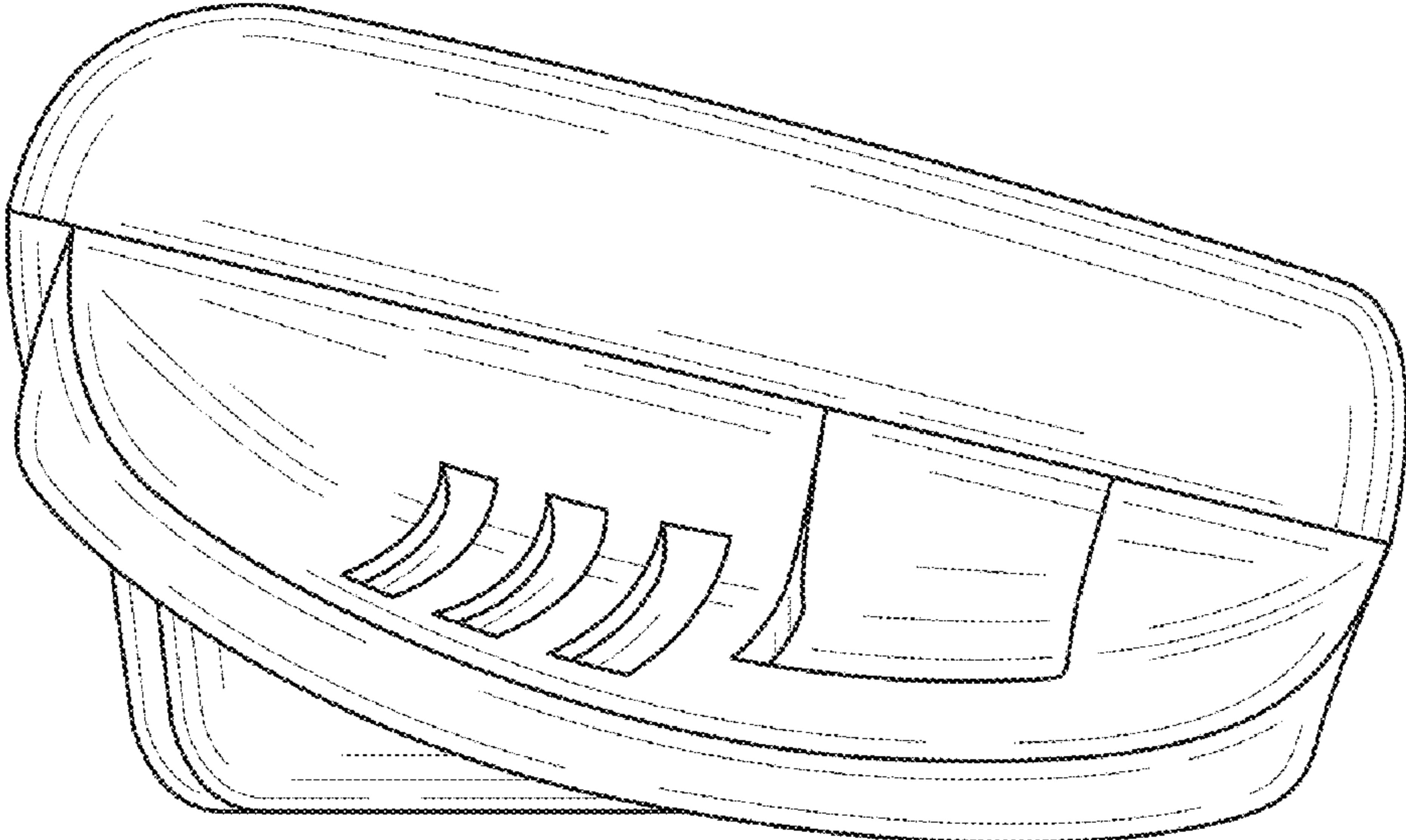


FIG. 4

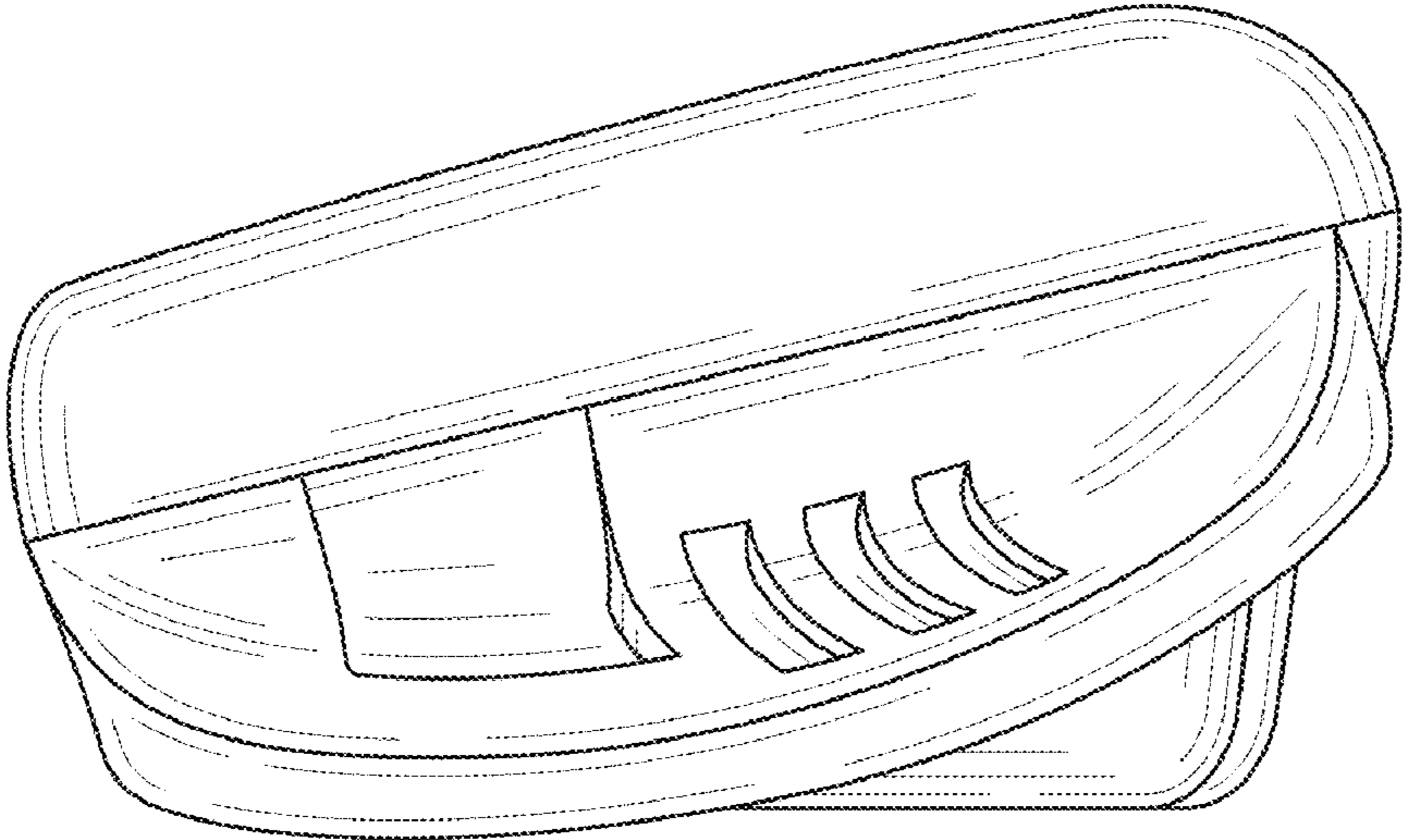


FIG. 5

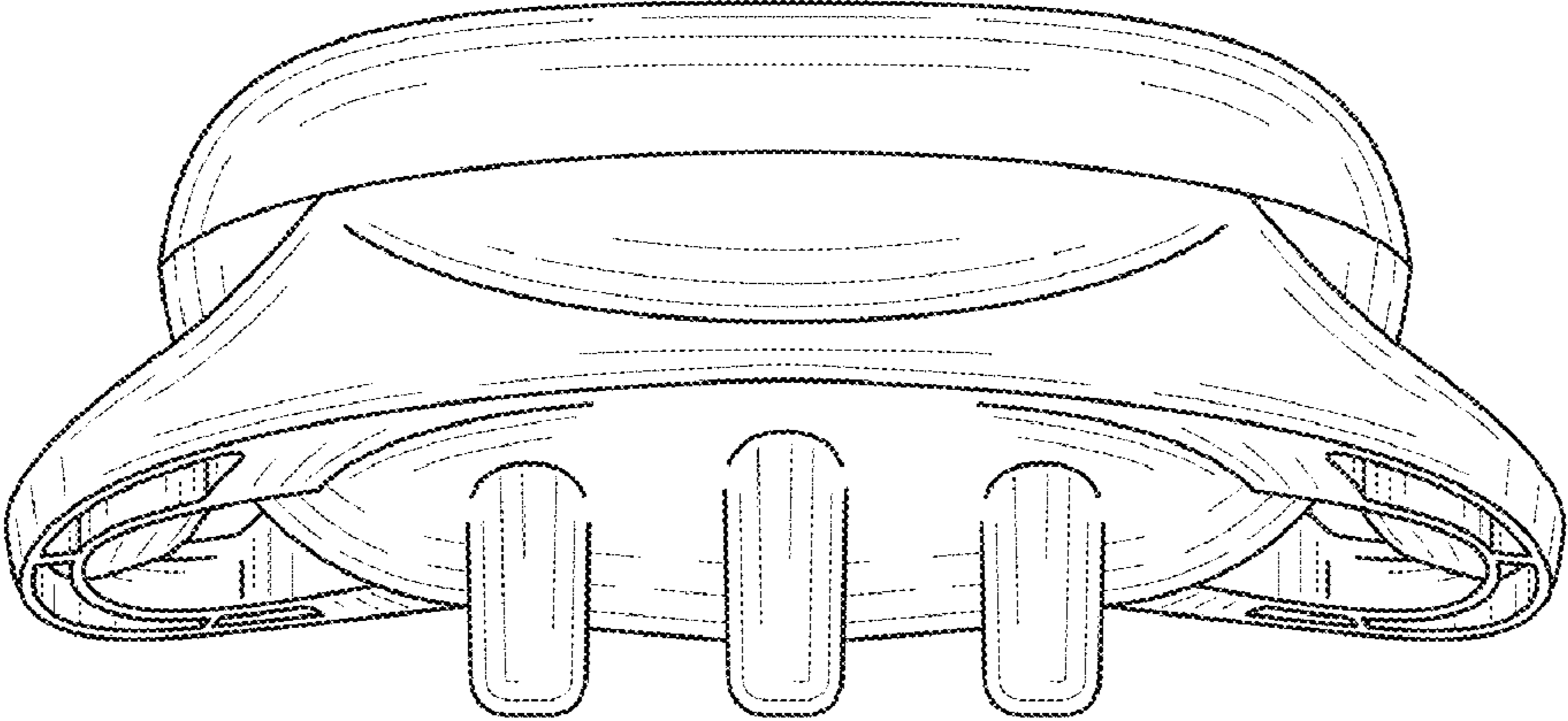


FIG. 6

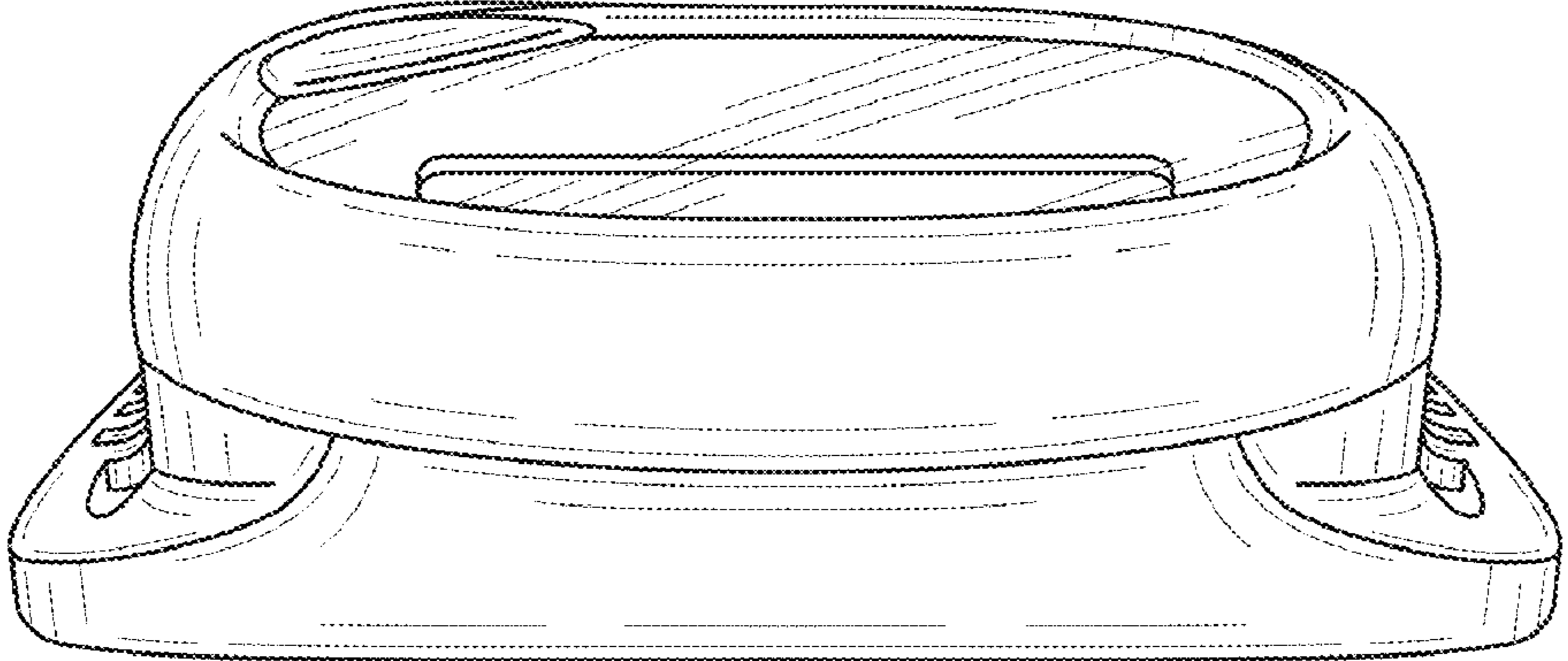


FIG. 7