



US00D677590S

(12) **United States Design Patent**
Au Yeung

(10) **Patent No.:** **US D677,590 S**
(45) **Date of Patent:** **** Mar. 12, 2013**

(54) **PEDOMETER**
(75) Inventor: **Kwok Keung Au Yeung**, New Territories (HK)

D595,166 S * 6/2009 Lhuillery et al. D10/70
D595,169 S * 6/2009 Au Yeung D10/70
D597,425 S * 8/2009 Au Yeung D10/70

* cited by examiner

(73) Assignee: **Ariel Premium Supply, Inc.**, St. Louis, MO (US)

Primary Examiner — Antoine D Davis
(74) *Attorney, Agent, or Firm* — Intellectual Property Law Group LLP

(**) Term: **14 Years**

(21) Appl. No.: **29/392,362**

(57) **CLAIM**
The ornamental design for a pedometer, as shown and described.

(22) Filed: **May 19, 2011**

(51) **LOC (9) Cl.** **10-04**

(52) **U.S. Cl.** **D10/70; D10/97; D10/98**

(58) **Field of Classification Search** D10/70,
D10/97, 98; 235/105; 377/5, 24.2, 26; 73/514.33,
73/514.34; 702/155, 160, 176, 78, 79, 82,
702/91, 92–95, 104, 116, 141, 150, 151,
702/154; 324/522

See application file for complete search history.

DESCRIPTION

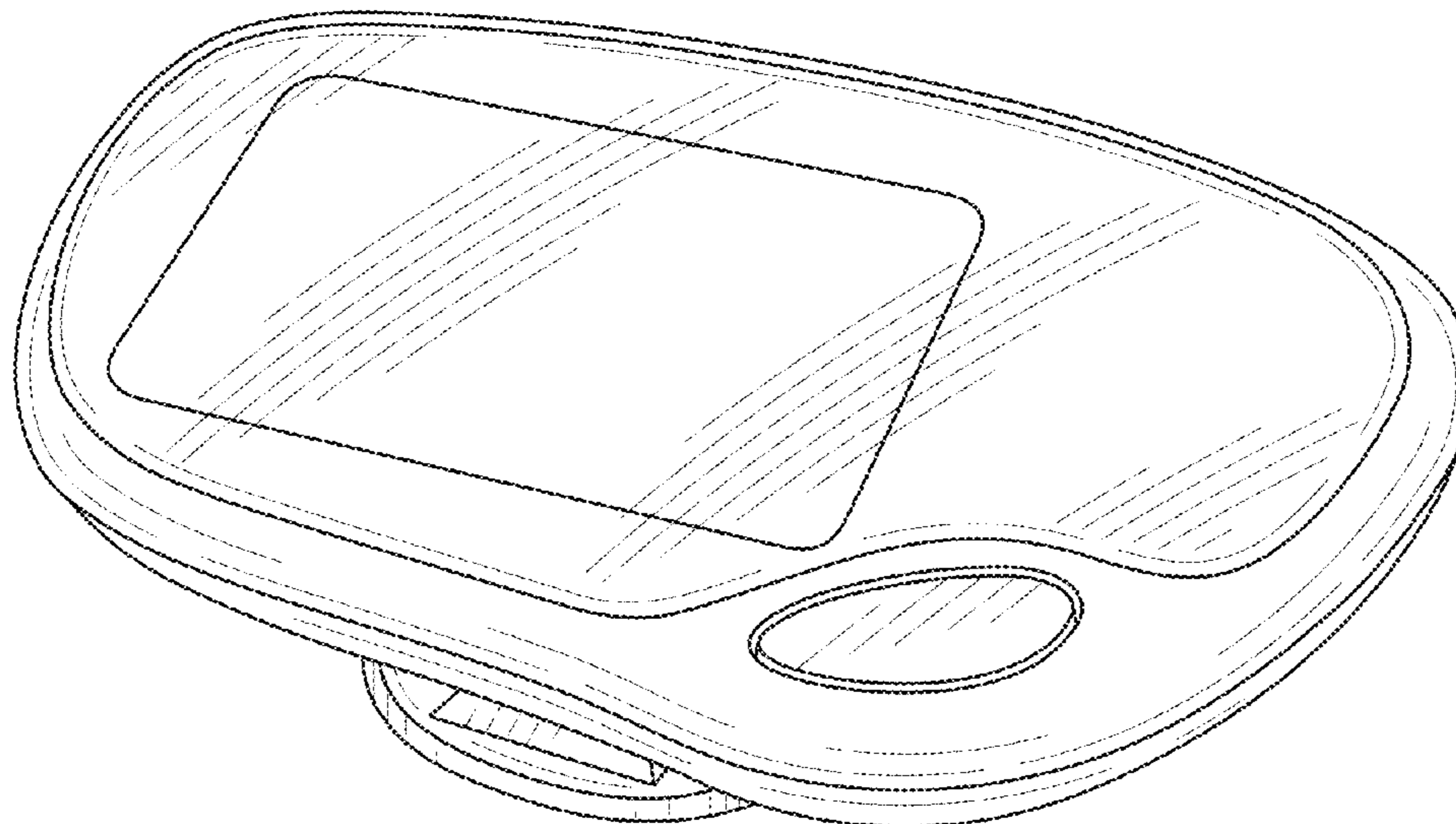
FIG. 1 is a front perspective view of a pedometer embodying my new design;
FIG. 2 is a rear perspective view thereof;
FIG. 3 is a front view thereof;
FIG. 4 is a rear view thereof;
FIG. 5 is a left side view thereof;
FIG. 6 is a right side view thereof;
FIG. 7 is a bottom view thereof; and,
FIG. 8 is a top view thereof.

(56) **References Cited**

U.S. PATENT DOCUMENTS

D513,598 S * 1/2006 Bingham et al. D10/70
D519,864 S * 5/2006 Bingham et al. D10/70

1 Claim, 4 Drawing Sheets



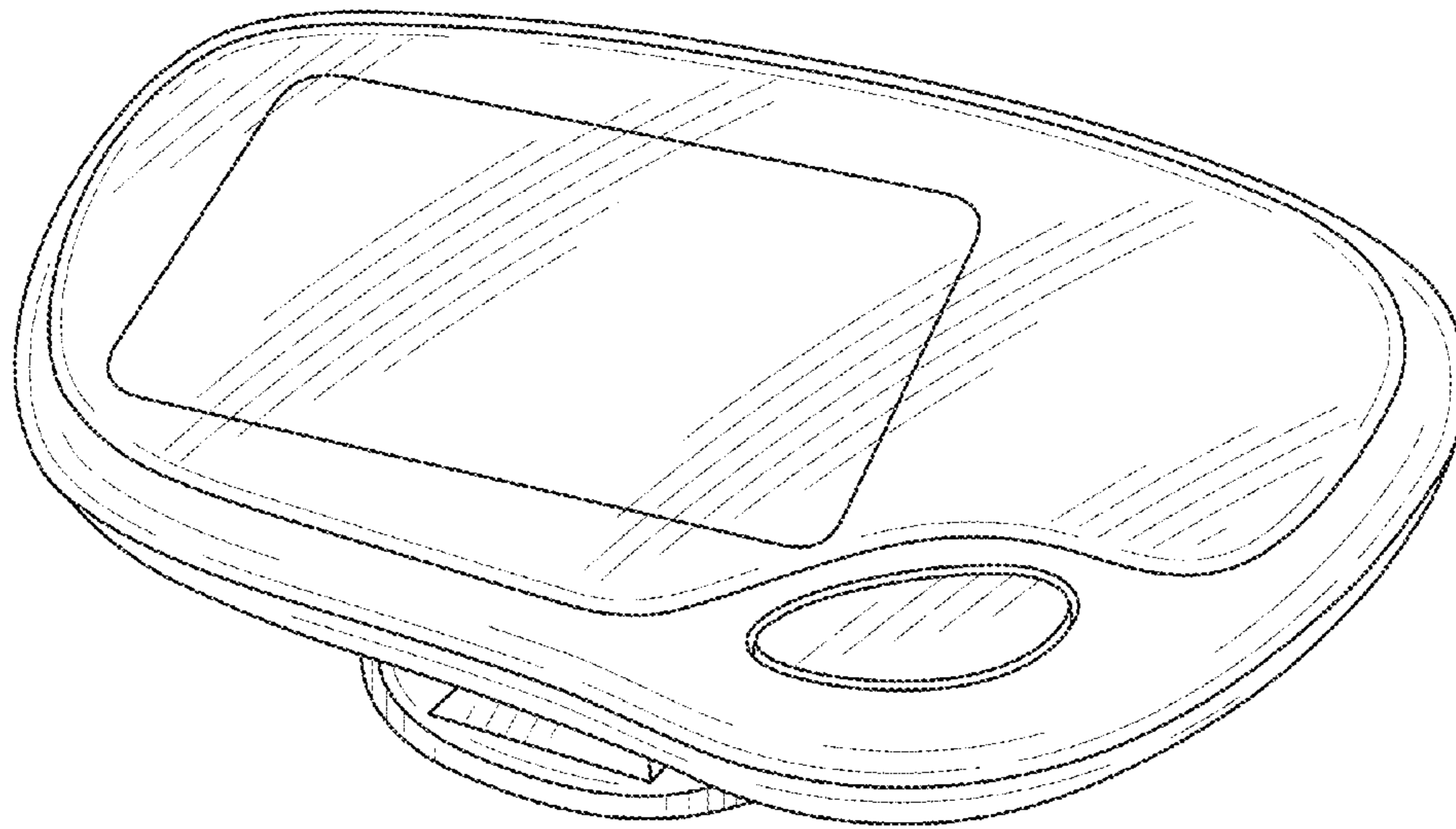


FIG. 1

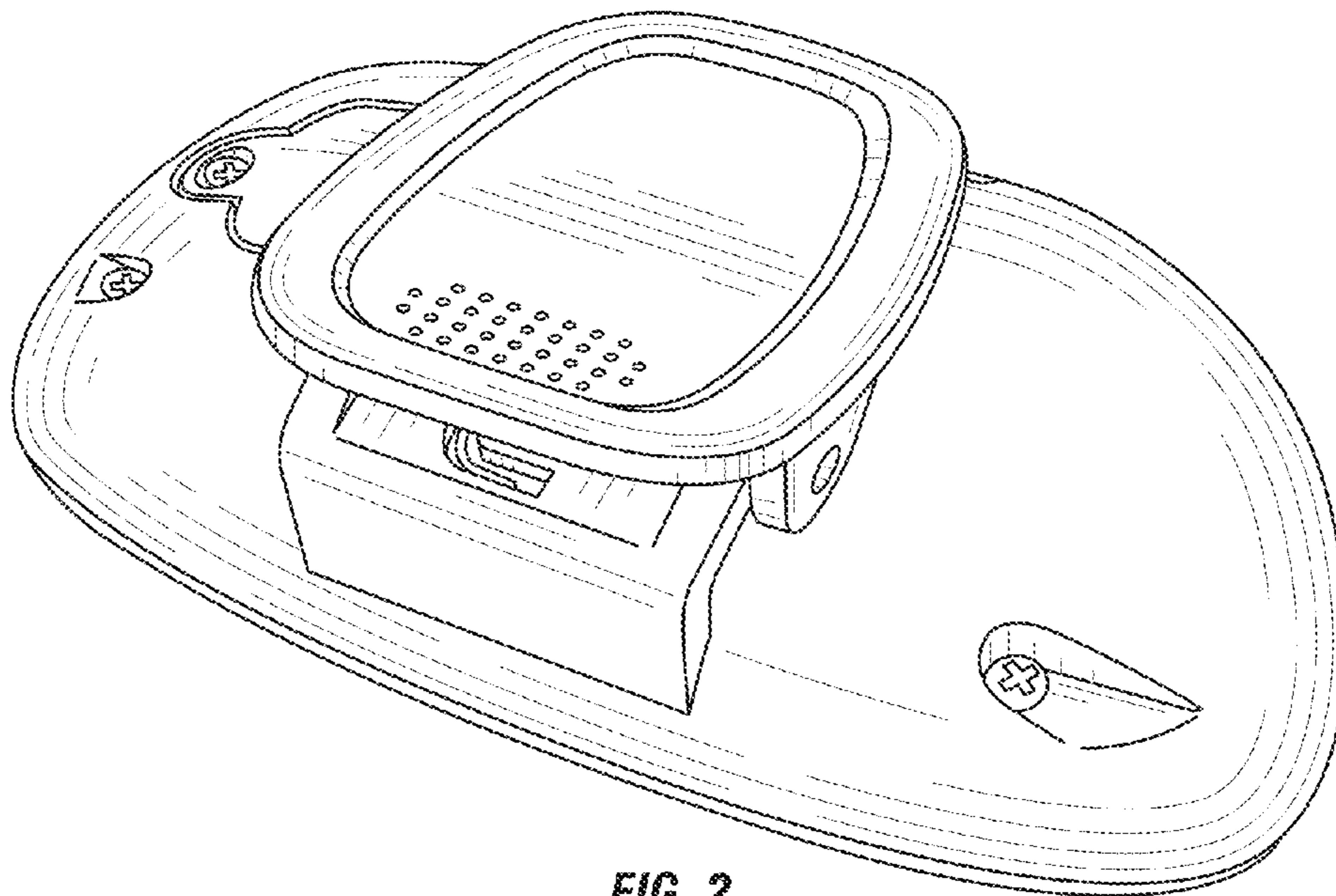


FIG. 2

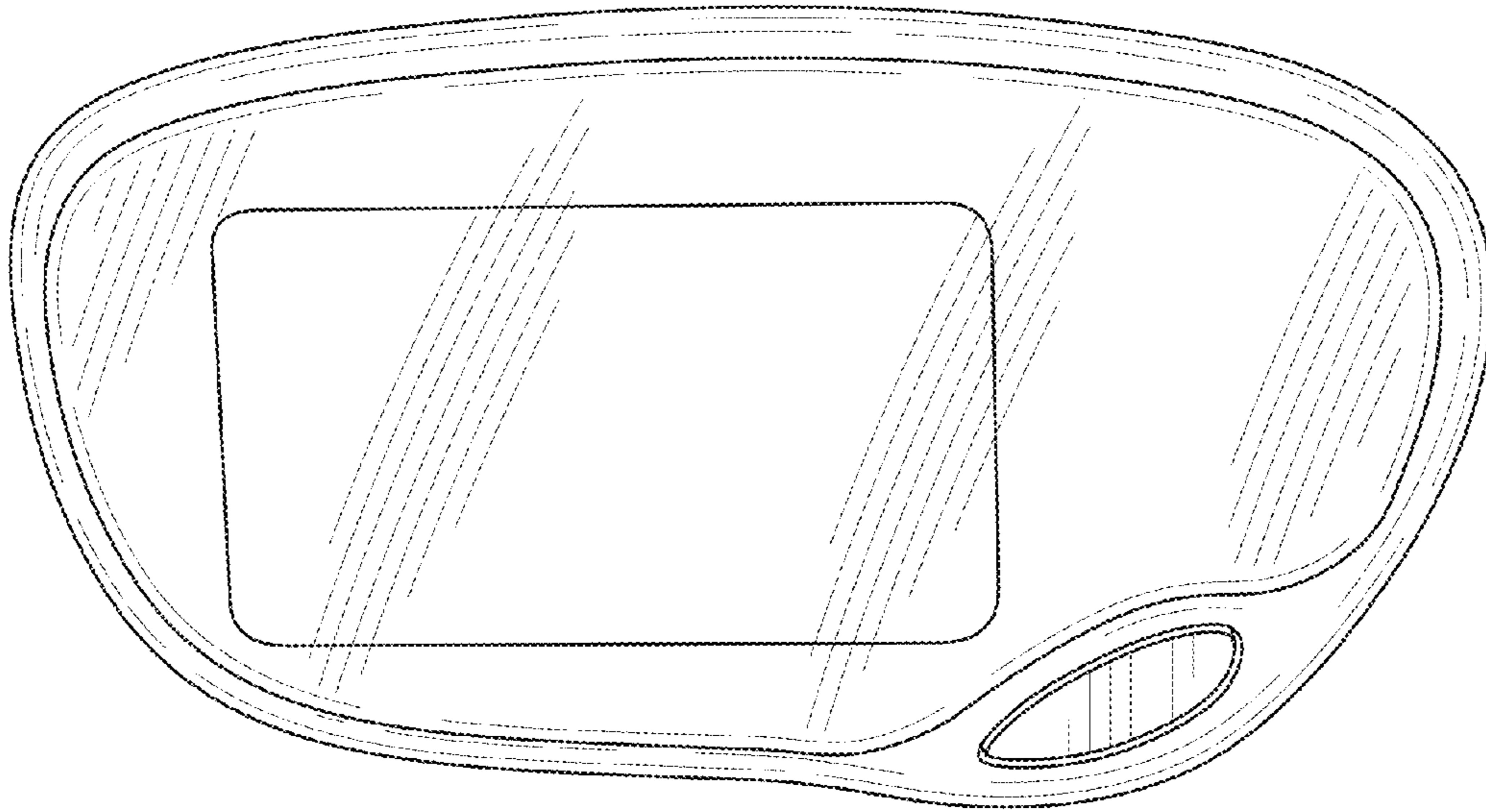


FIG. 3

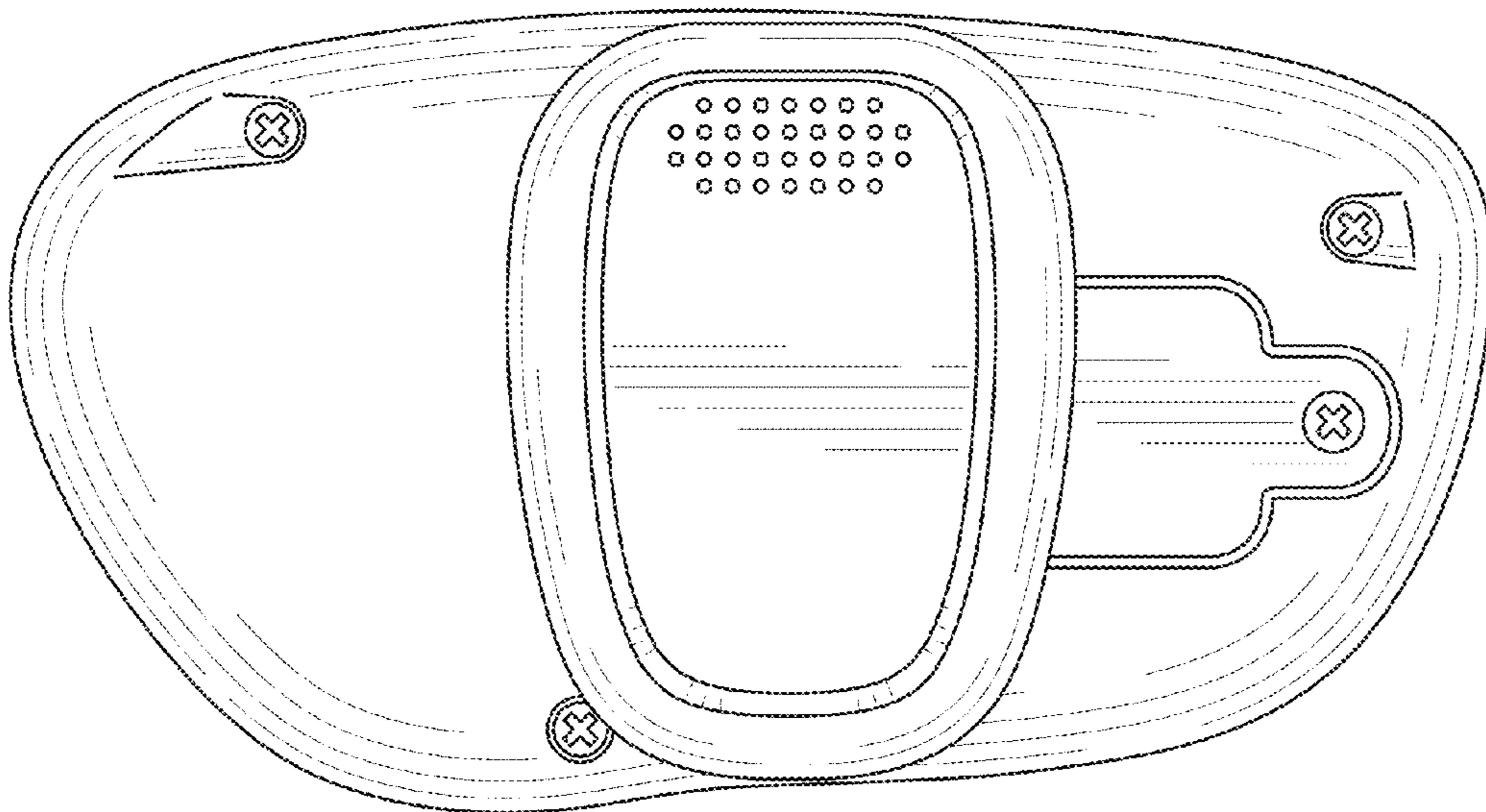


FIG. 4

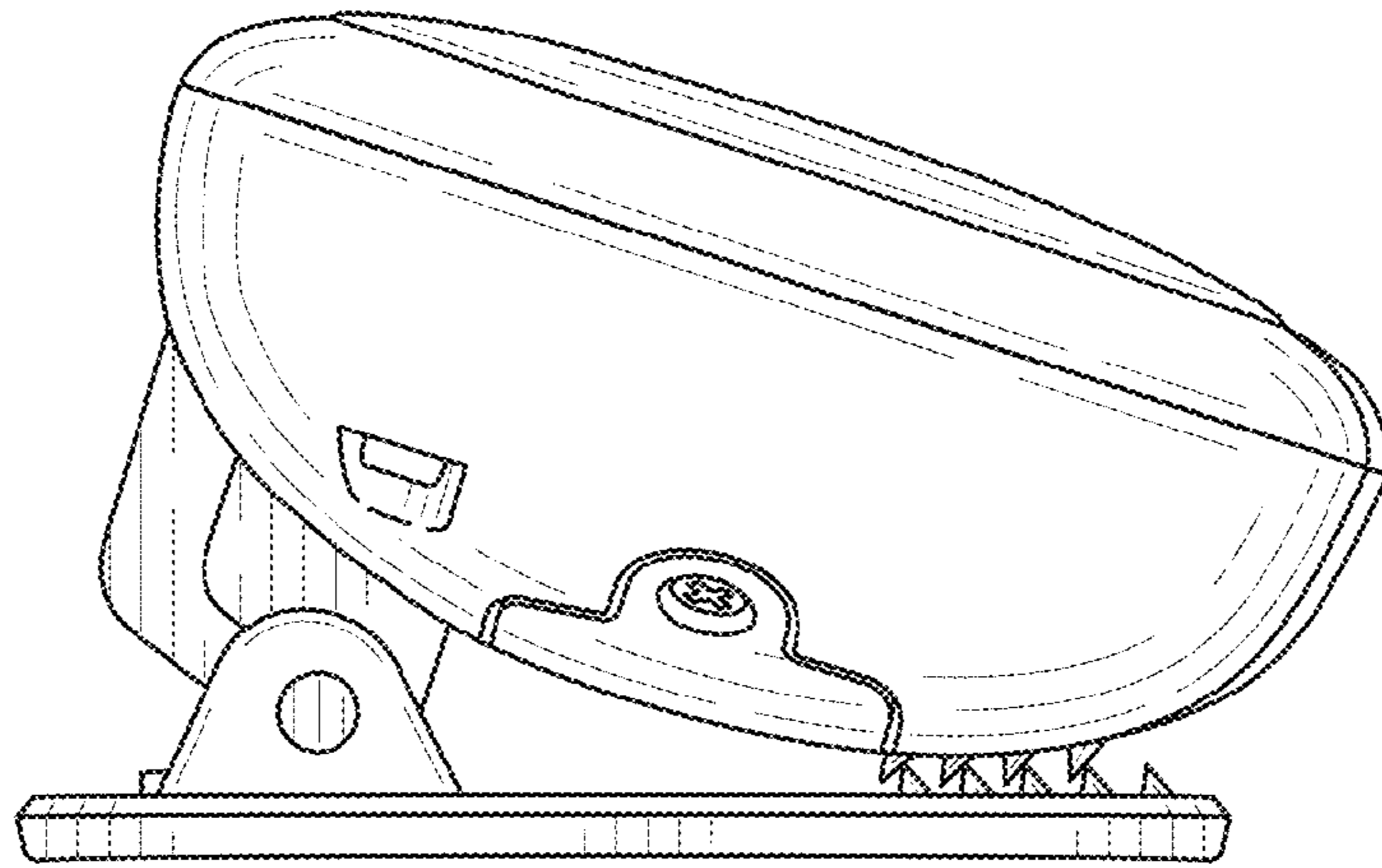


FIG. 5

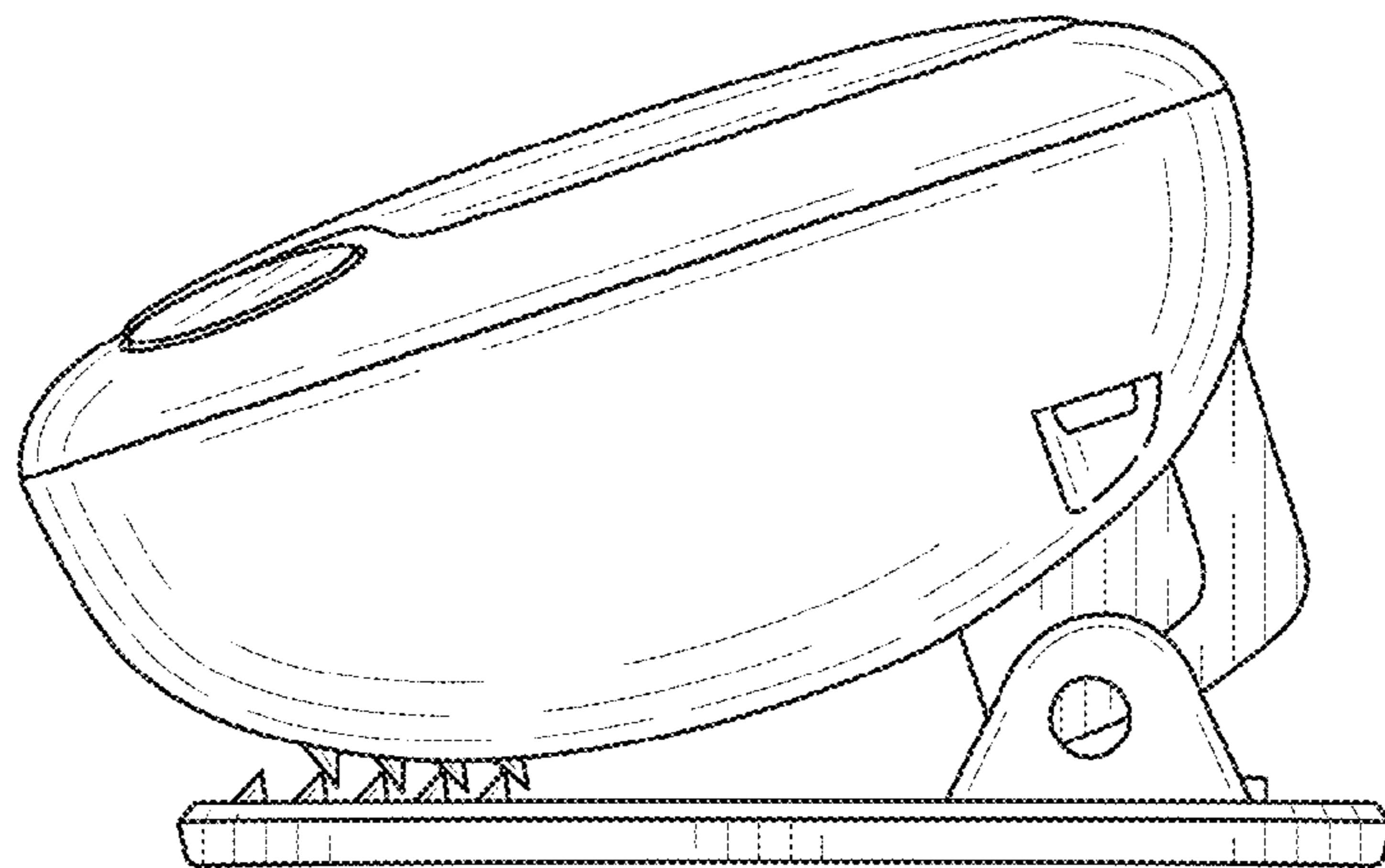


FIG. 6

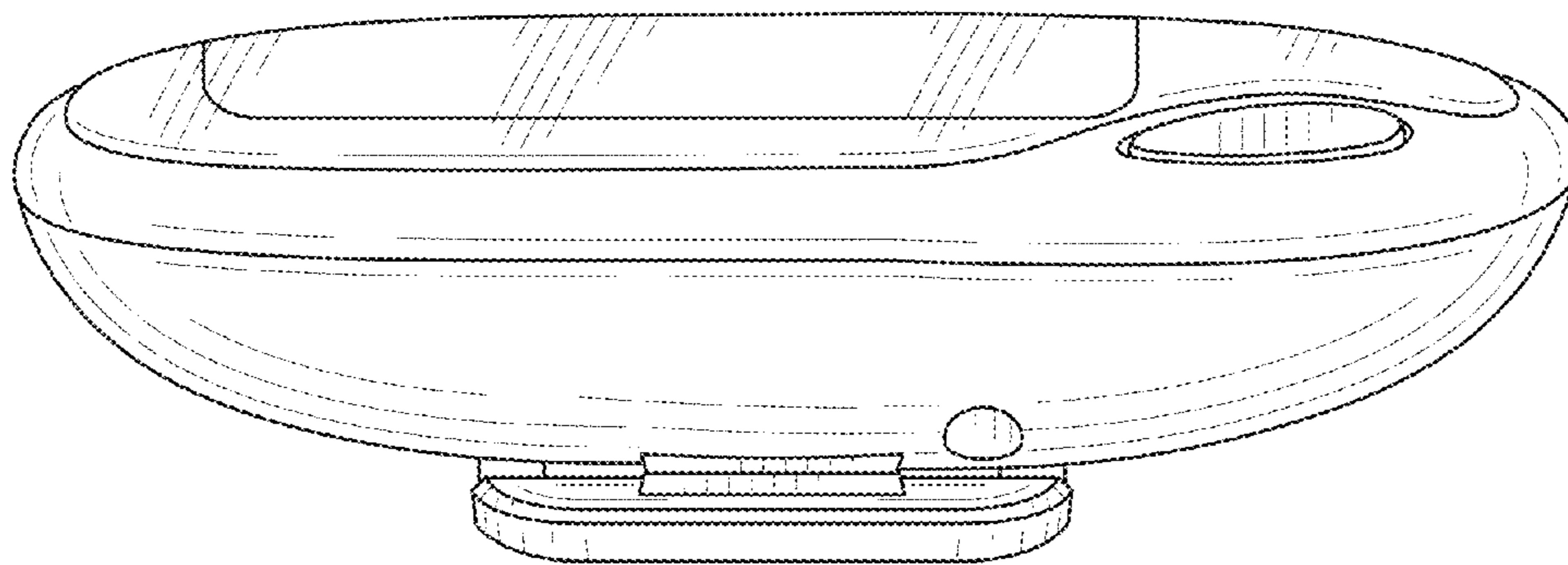


FIG. 7

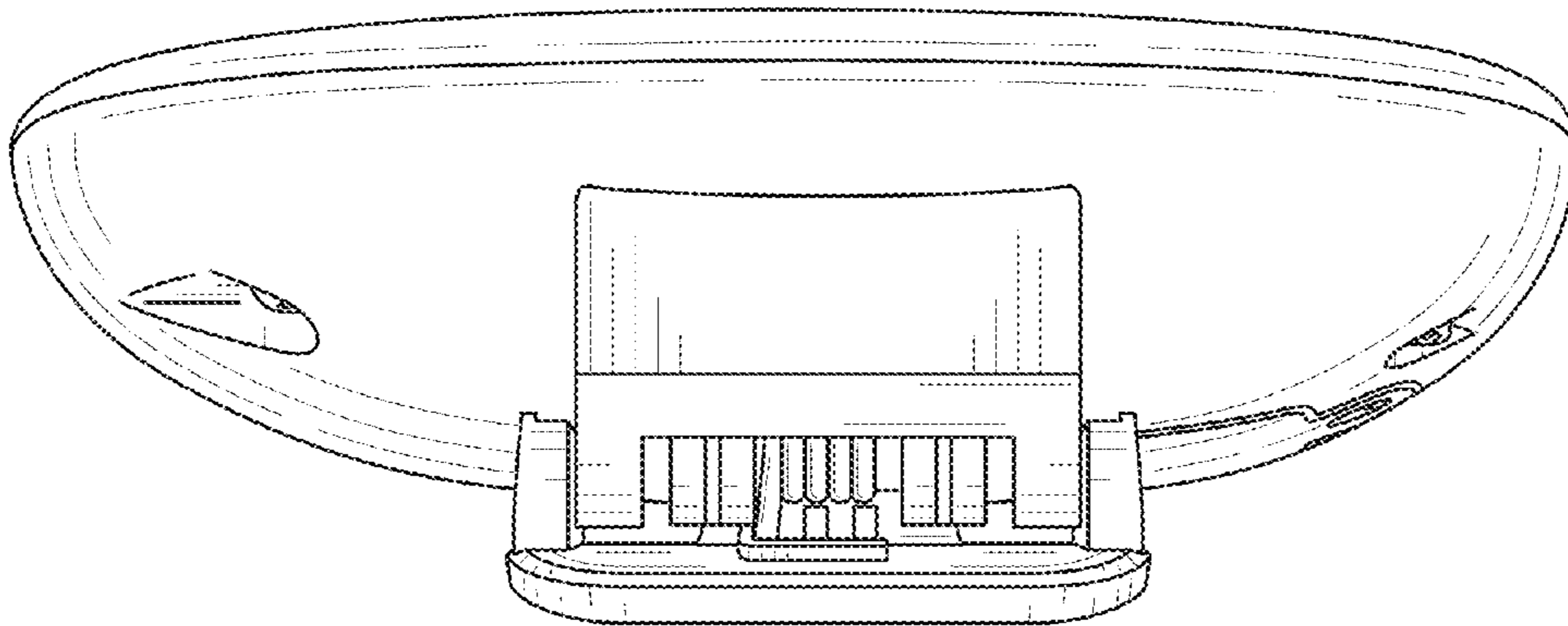


FIG. 8