



US00D677589S

(12) **United States Design Patent**  
**Jung et al.**

(10) **Patent No.:** **US D677,589 S**  
(45) **Date of Patent:** **\*\* Mar. 12, 2013**

(54) **GOLF GPS DEVICE**

(75) Inventors: **Seung Wook Jung**, Cerritos, CA (US);  
**Seung Jin Kim**, Irvine, CA (US)

(73) Assignee: **Deca International Corp.**, La Palma,  
CA (US)

(\*\*) Term: **14 Years**

(21) Appl. No.: **29/423,591**

(22) Filed: **Jun. 1, 2012**

(51) **LOC (9) Cl.** ..... **10-04**

(52) **U.S. Cl.** ..... **D10/65; D10/70**

(58) **Field of Classification Search** ..... D10/65,  
D10/70, 104.2, 106.6; D14/315, 336, 337,  
D14/341, 342, 343, 240–242, 356–358, 371,  
D14/140.1–140.6, 140, 155, 159, 137, 149,  
D14/150, 217, 170–171, 125, 188, 203.3,  
D14/203.4, 203.7; 342/386, 351, 419, 457,  
342/357.2–357.78, 450, 458; 343/702; 345/87,  
345/104, 133, 156, 168, 173, 901–905; 348/180,  
348/184, 315, 739; 364/444, 499; 701/23–28,  
701/400, 408, 409, 468–491, 526, 532; 340/539.13;  
473/131, 407

See application file for complete search history.

(56) **References Cited**

U.S. PATENT DOCUMENTS

D584,176 S \* 1/2009 Maruyama et al. .... D10/70  
D659,562 S \* 5/2012 Groener et al. .... D10/65

\* cited by examiner

*Primary Examiner* — Antoine D Davis

(74) *Attorney, Agent, or Firm* — Knobbe Martens Olson &  
Bear, LLP

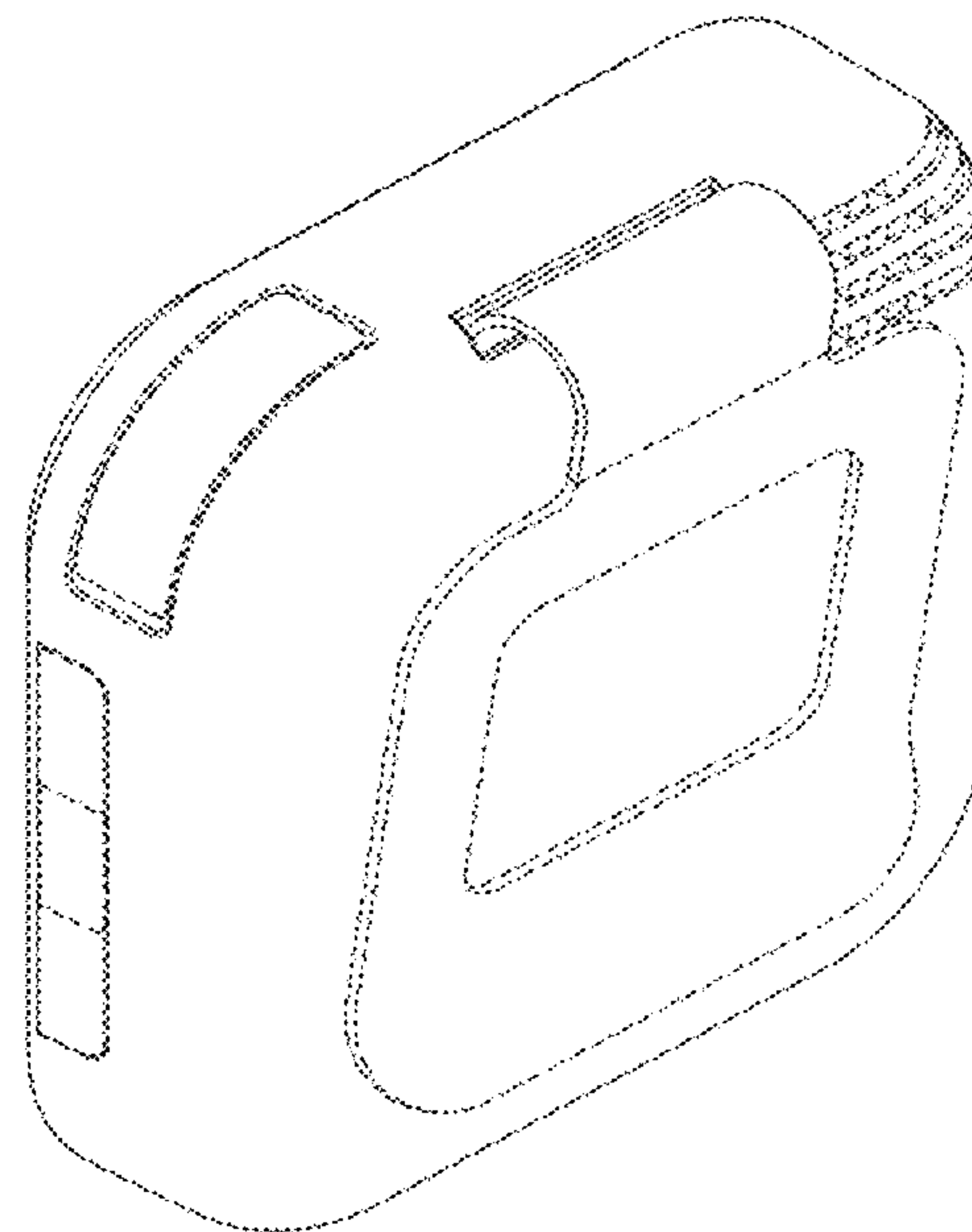
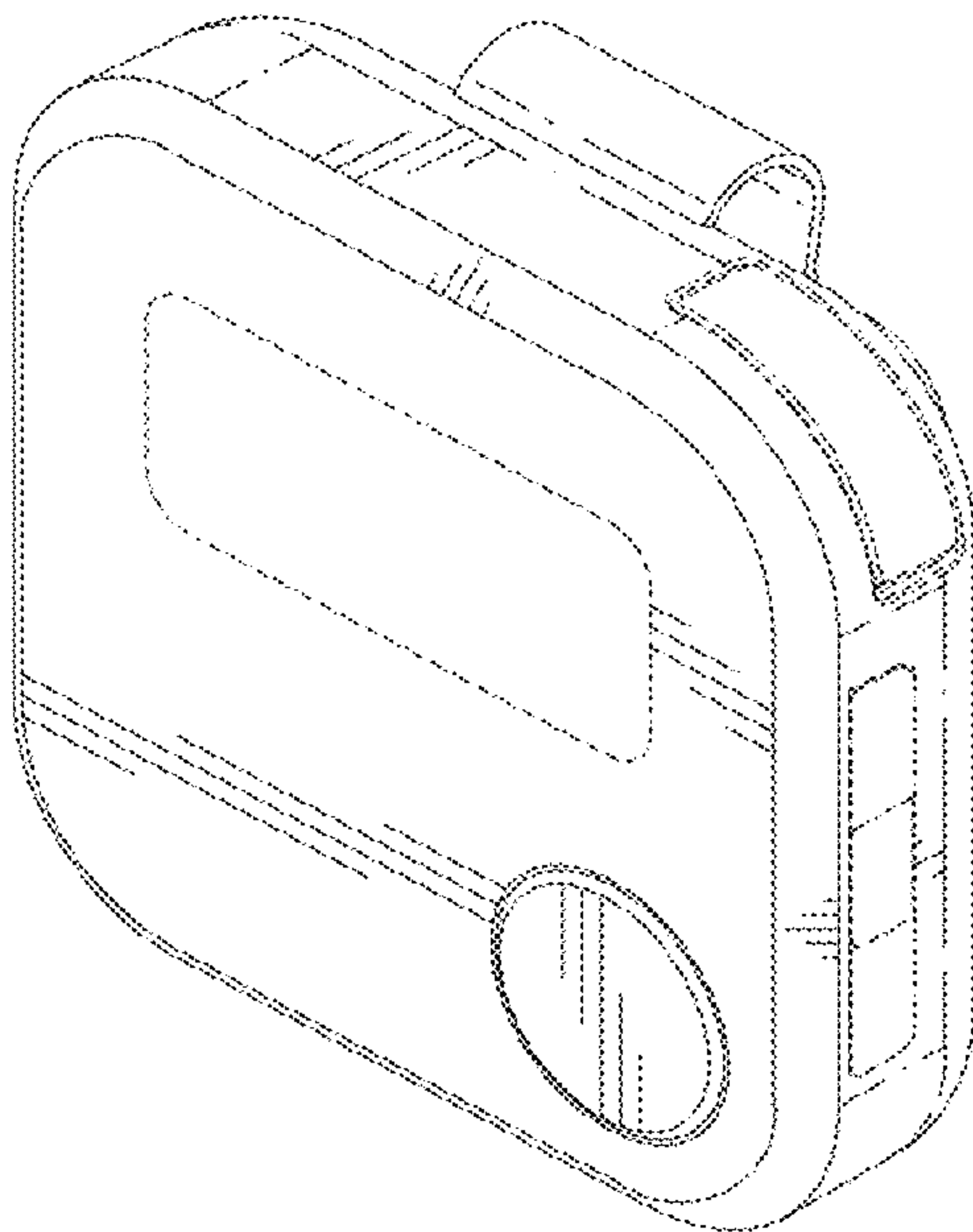
(57) **CLAIM**

The ornamental design of a golf GPS device, as shown and  
described herein.

**DESCRIPTION**

FIG. 1 is a perspective view of a golf GPS device in accor-  
dance with an embodiment of the present invention;  
FIG. 2 is another perspective view of a golf GPS device of  
FIG. 1;  
FIG. 3 is a front view of the golf GPS device of FIG. 1;  
FIG. 4 is a rear view of the golf GPS device of FIG. 1;  
FIG. 5 is a left side view of the golf GPS device of FIG. 1;  
FIG. 6 is a right side view of the golf GPS device of FIG. 1;  
FIG. 7 is a top plan view of the golf GPS device of FIG. 1; and,  
FIG. 8 is a bottom plan view of the golf GPS device of FIG. 1.  
The broken lines in the Figures are for illustrative purposes  
only and form no part of the claimed design.

**1 Claim, 6 Drawing Sheets**



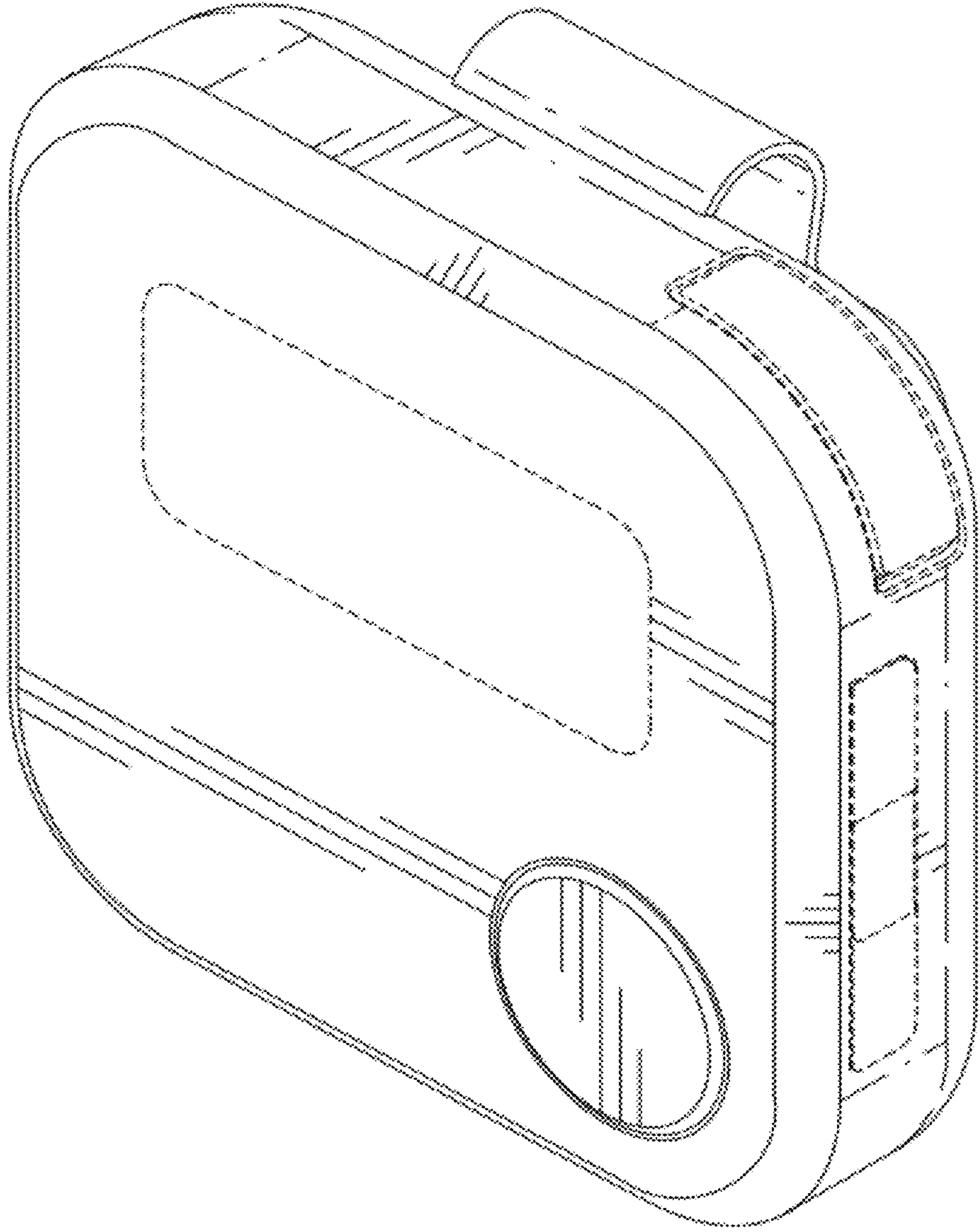


FIG. 1

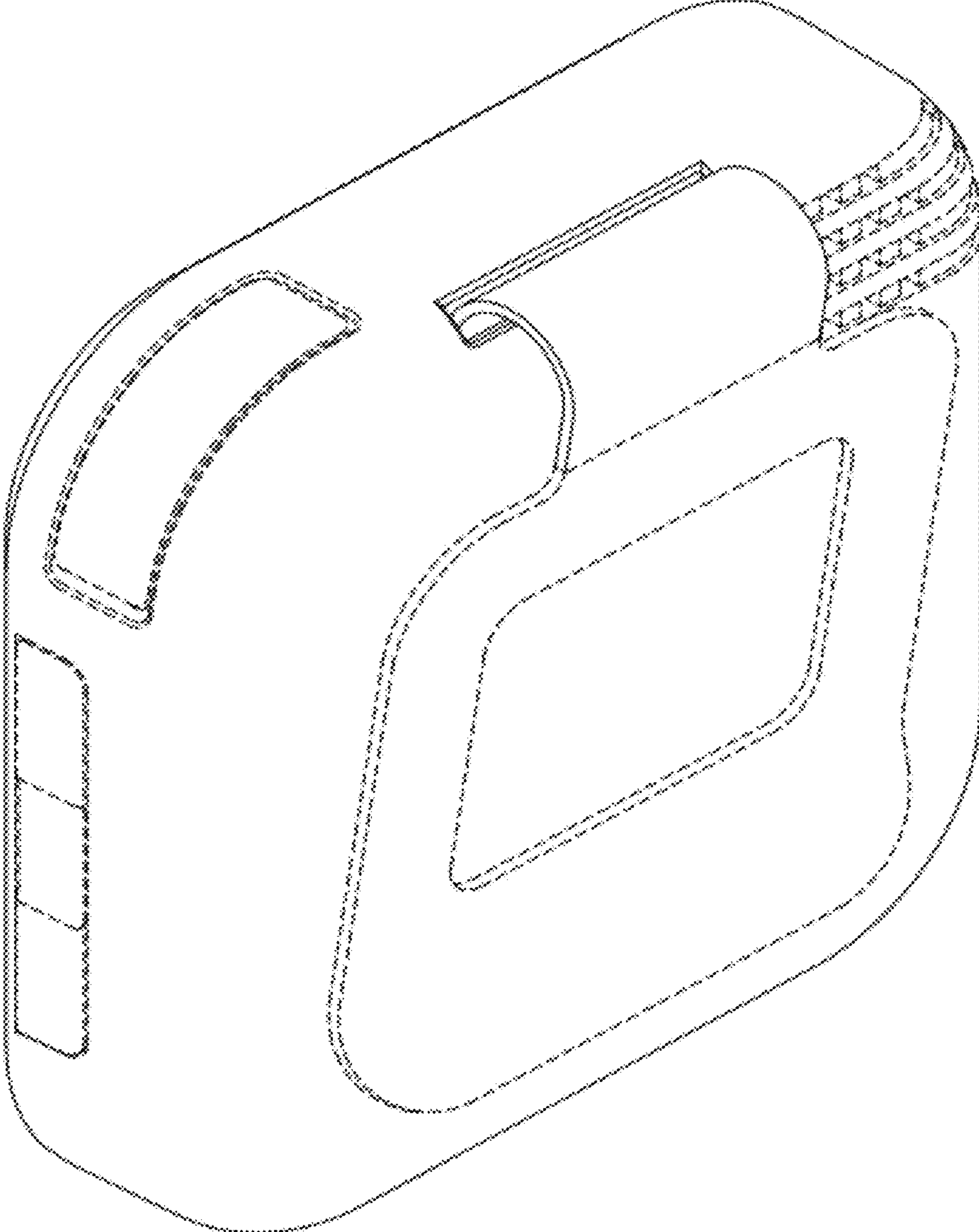


FIG. 2

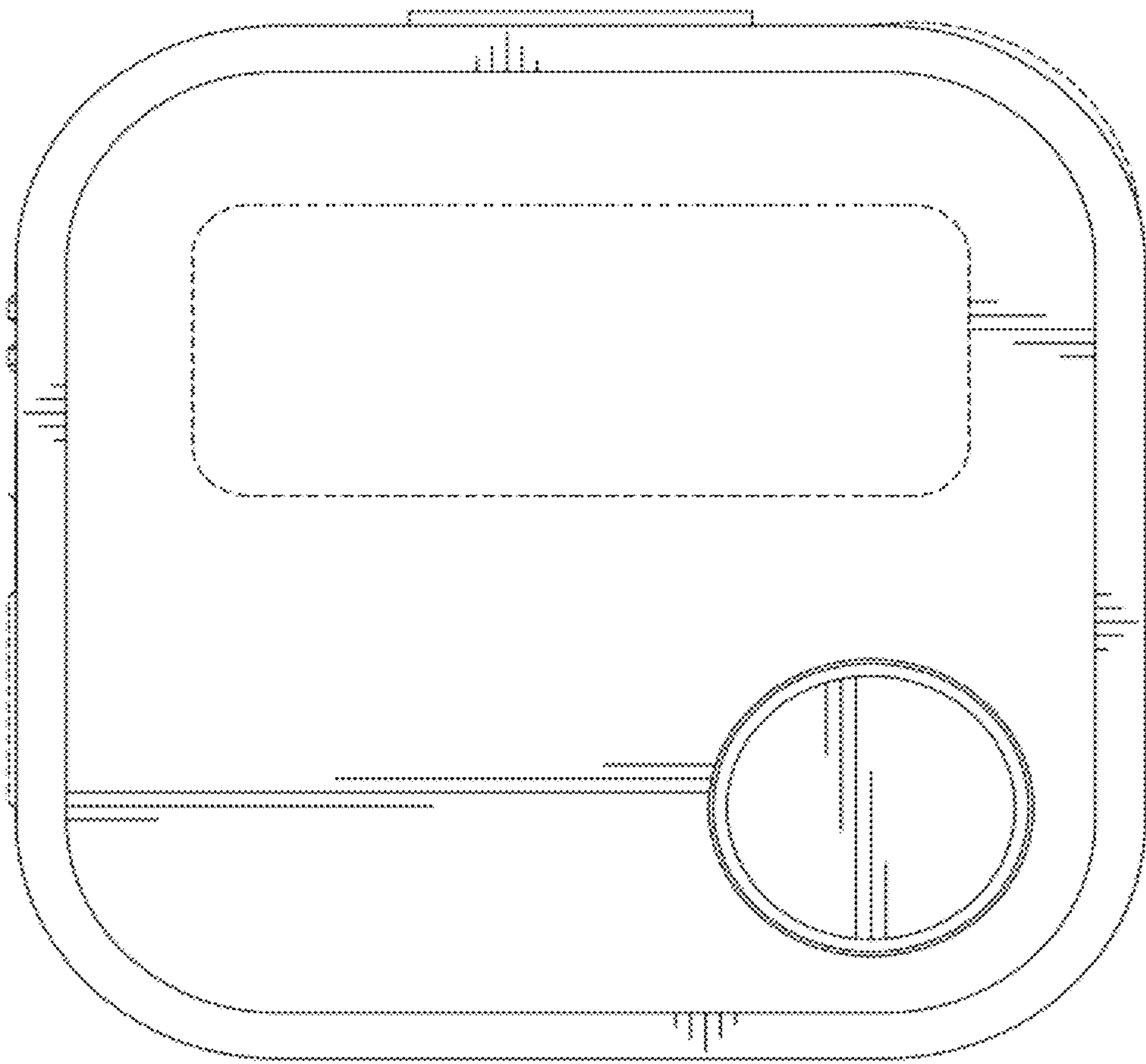


FIG. 3



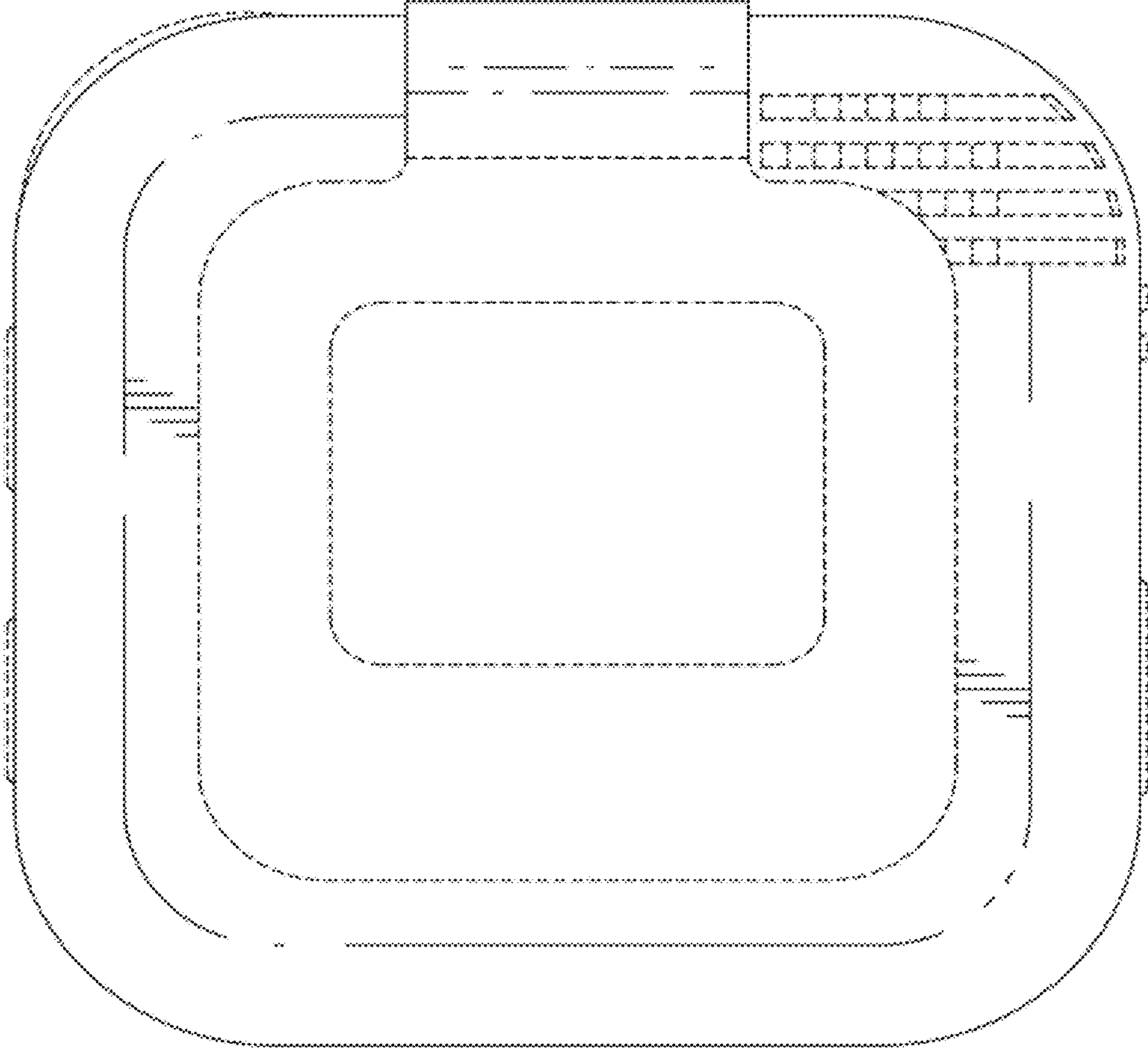


FIG. 4

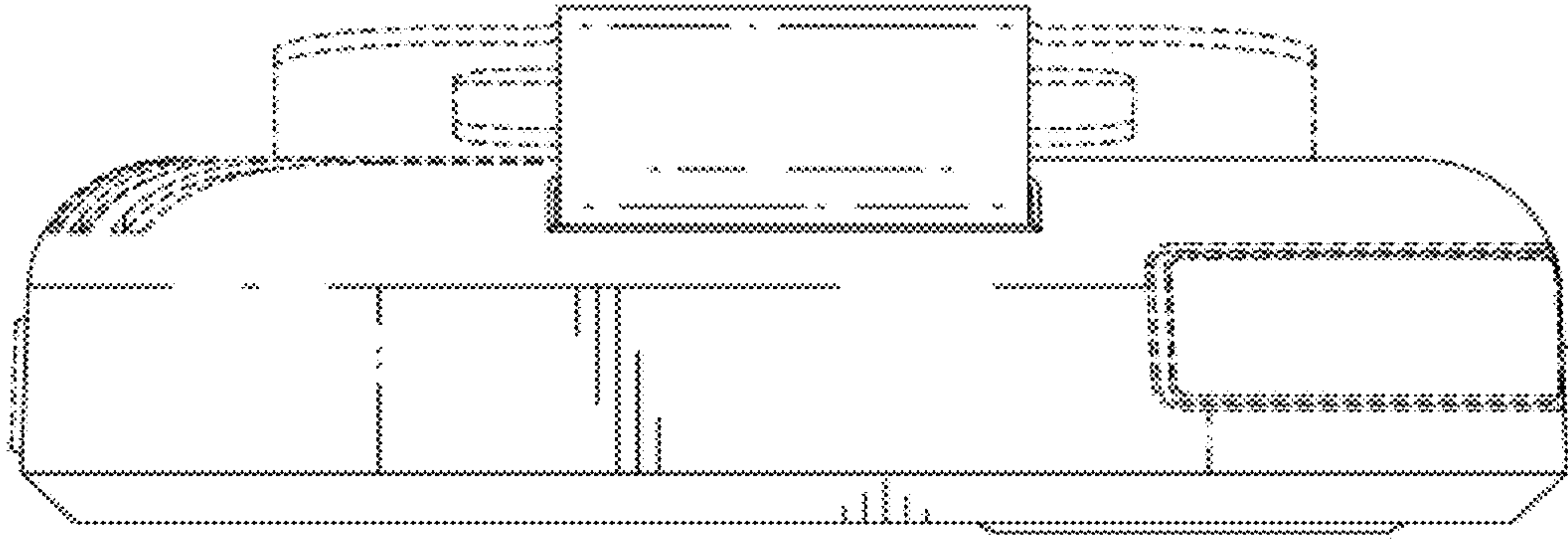


FIG. 5

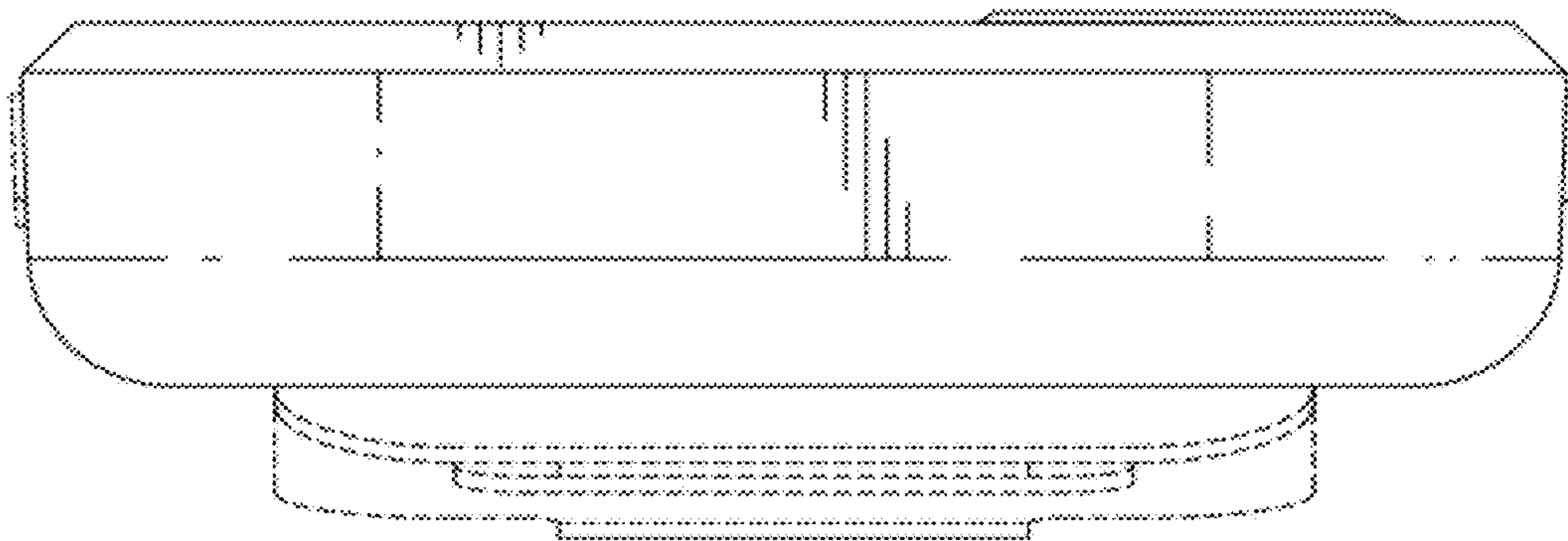
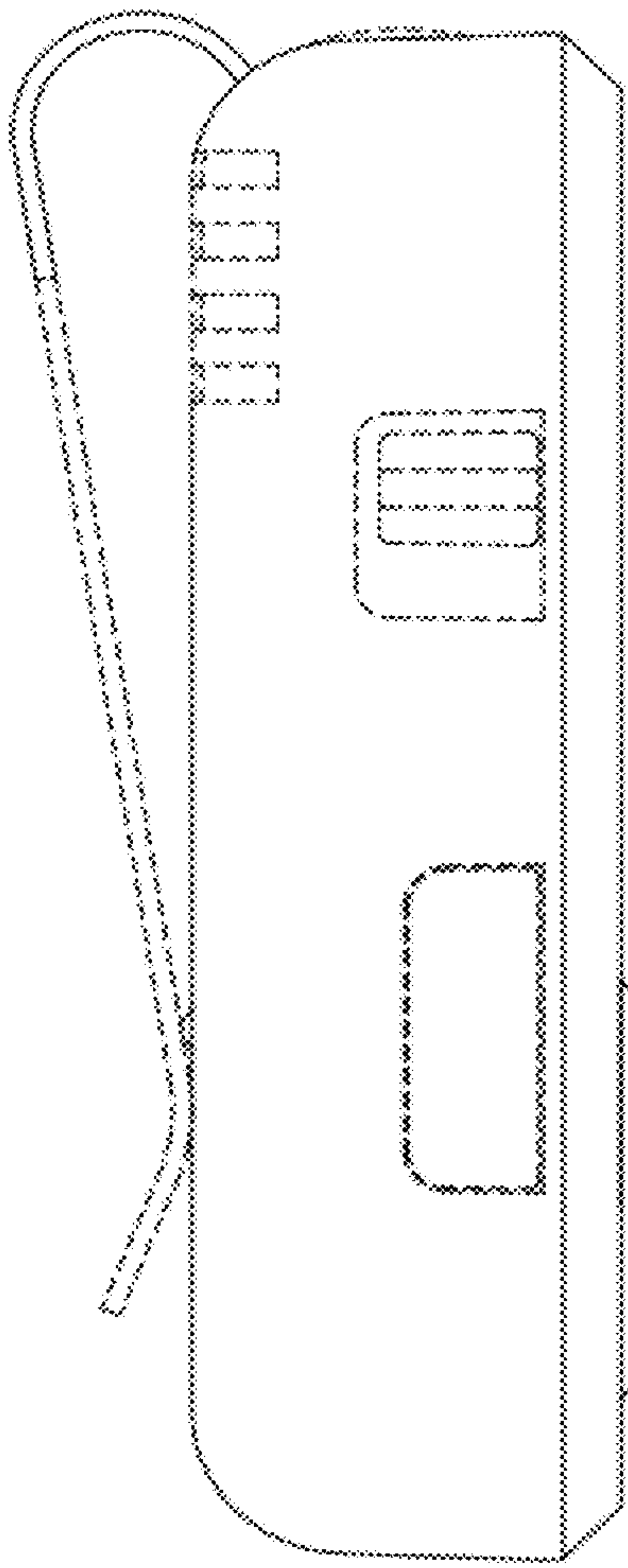
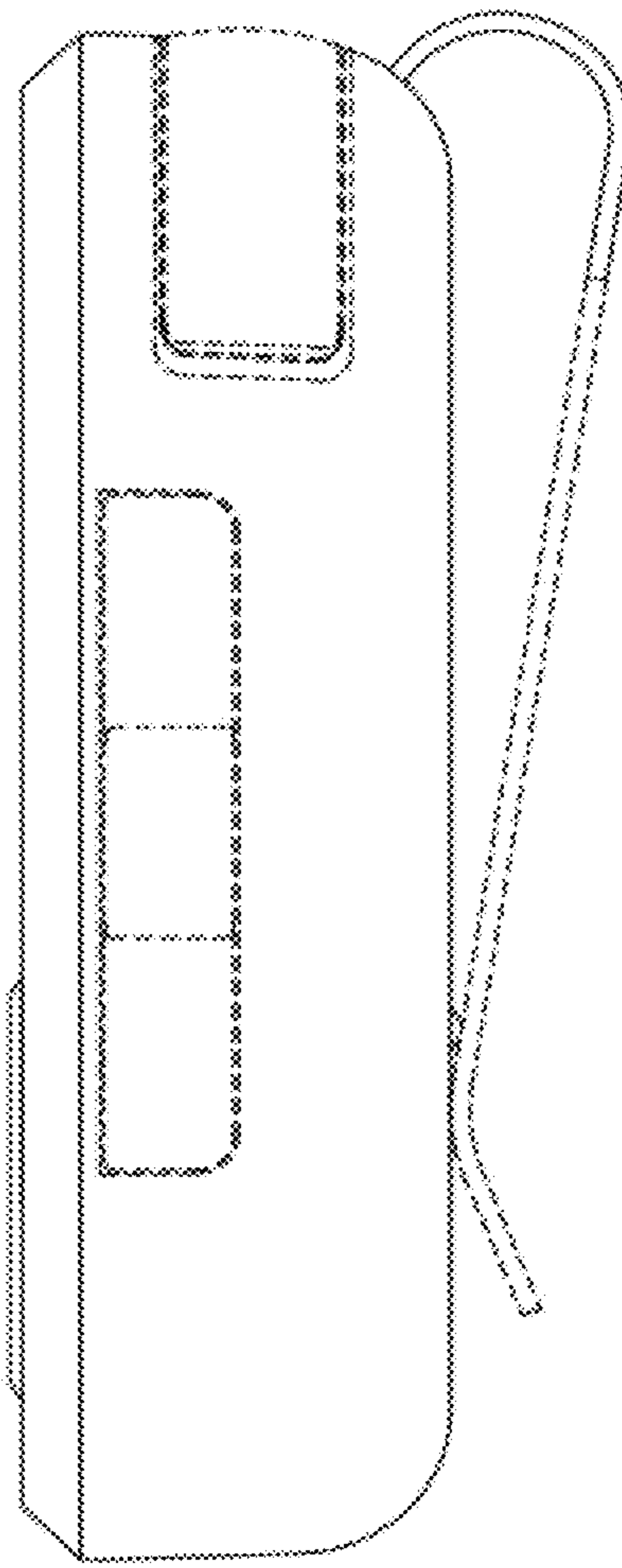


FIG. 6



*FIG. 7*



*FIG. 8*