

US00D677588S

(12) **United States Design Patent**  
**Dede et al.**

(10) **Patent No.:** **US D677,588 S**  
(45) **Date of Patent:** **\*\* Mar. 12, 2013**

(54) **HANDHELD LASER WIND VELOCIMETER**

(56) **References Cited**

(75) Inventors: **Edgar Dede**, Manassas, VA (US);  
**Patrick Mainville**, Montréal (CA);  
**Richard Paré**, Boucherville (CA);  
**Benoit Orban**, Saint-Lambert (CA);  
**Francois Gaucher**, Montréal (CA);  
**Catherine Turgy**, Montréal (CA)

U.S. PATENT DOCUMENTS

D665,685 S \* 8/2012 Okuda ..... D10/98

\* cited by examiner

*Primary Examiner* — Antoine D Davis

(74) *Attorney, Agent, or Firm* — Knobbe Martens Olson & Bear LLP

(73) Assignee: **BlueScout Technologies, Inc.**, Chantilly, VA (US)

(57) **CLAIM**

(\*\*) Term: **14 Years**

The ornamental design for a handheld laser wind velocimeter, as shown and described.

(21) Appl. No.: **29/414,459**

**DESCRIPTION**

(22) Filed: **Feb. 28, 2012**

**Related U.S. Application Data**

(63) Continuation of application No. 29/388,699, filed on Mar. 31, 2011, now Pat. No. Des. 654,817, which is a continuation of application No. 29/353,748, filed on Jan. 13, 2010, now Pat. No. Des. 637,499.

FIG. 1 is a front perspective view of a handheld laser wind velocimeter showing our new design;  
FIG. 2 is a top plan view thereof;  
FIG. 3 is a side view thereof;  
FIG. 4 is another side view thereof;  
FIG. 5 is a rear view thereof;  
FIG. 6 is a front view thereof; and,  
FIG. 7 is a bottom plan view thereof.

(51) **LOC (9) Cl.** ..... **10-04**

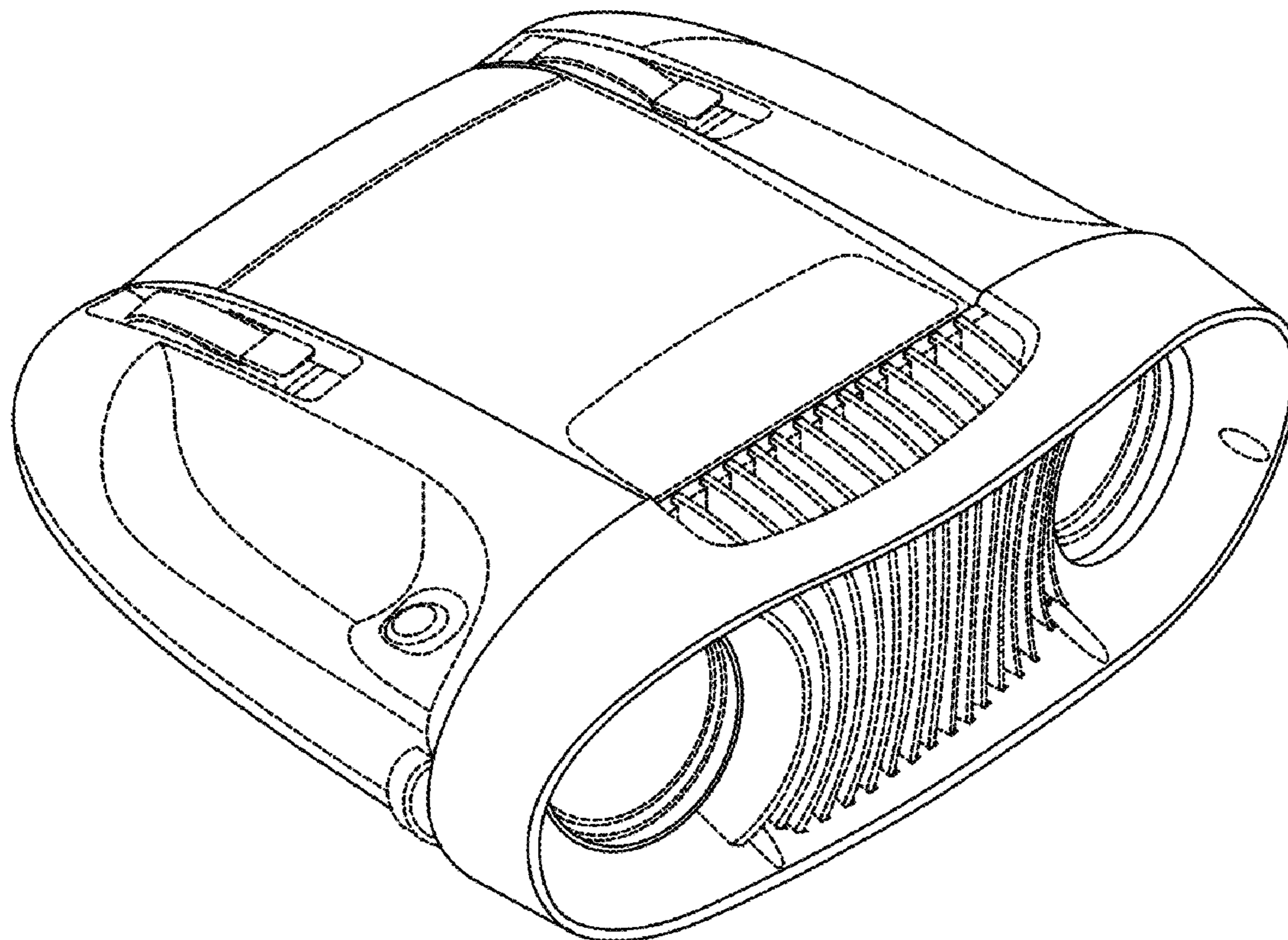
(52) **U.S. Cl.** ..... **D10/59**

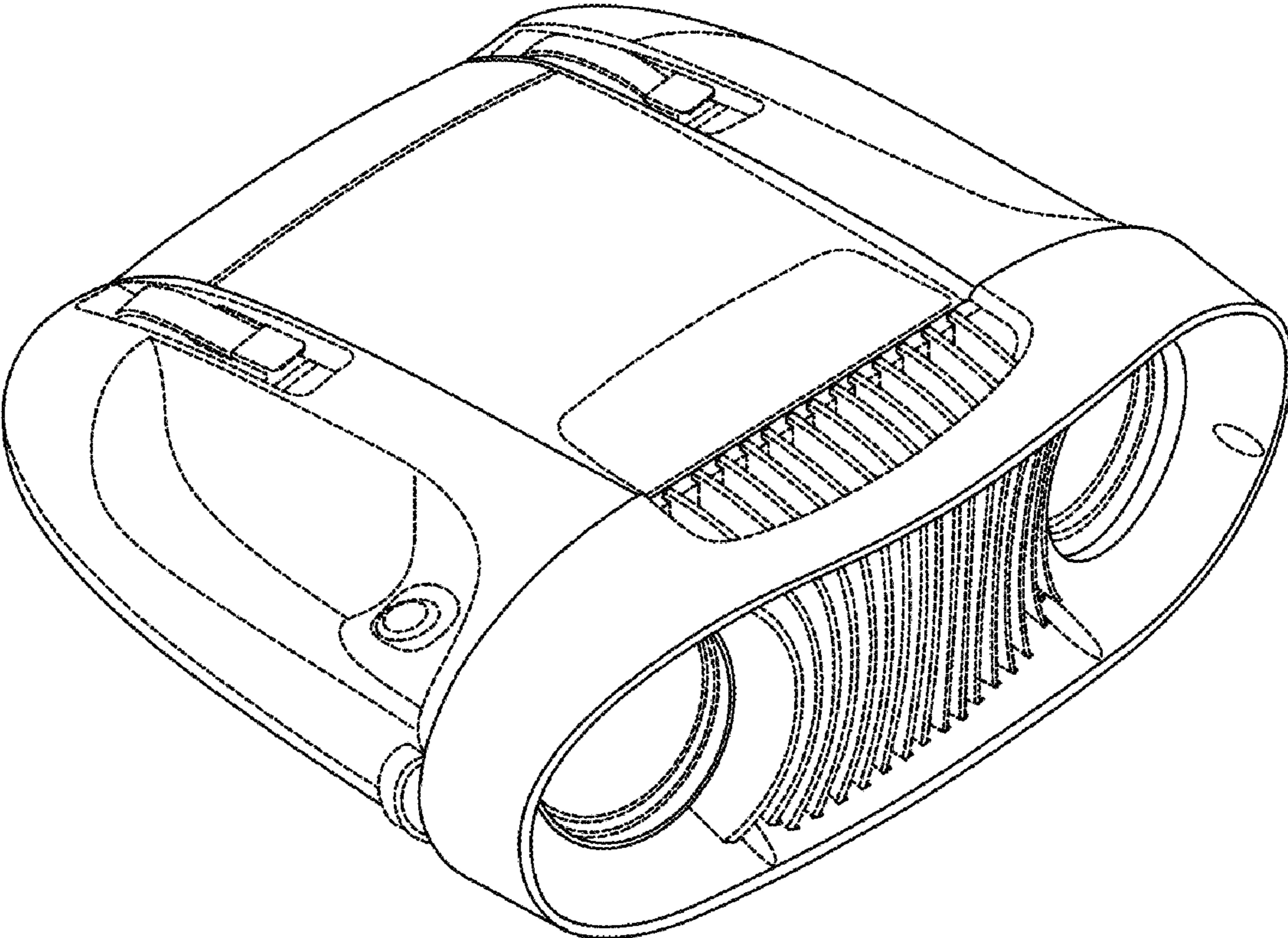
(58) **Field of Classification Search** ..... D10/98,  
D10/59; 73/861.94; 356/28, 28.5

The dashed broken lines in the Figures are included for the purpose of illustrating portions of the handheld laser wind velocimeter that form no part of the claimed design and are expressly disclaimed.

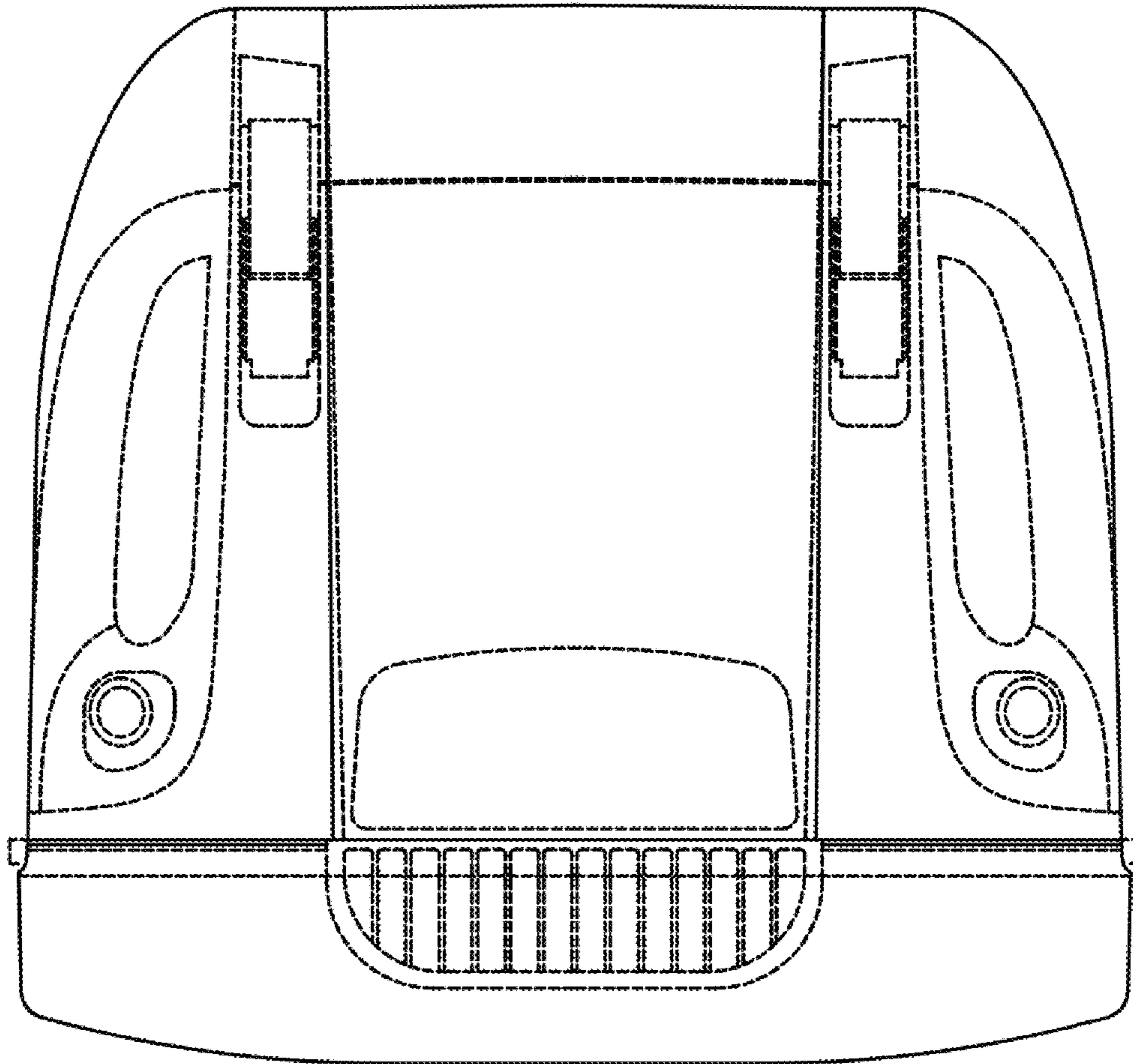
See application file for complete search history.

**1 Claim, 5 Drawing Sheets**

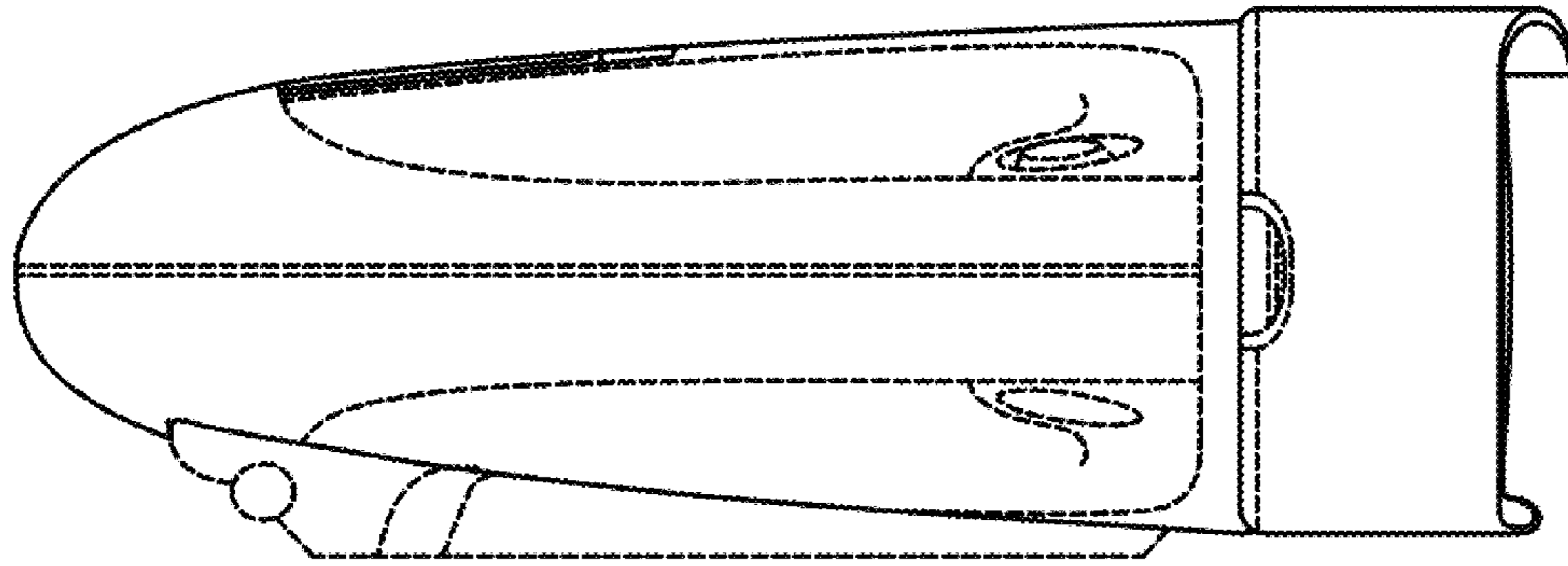




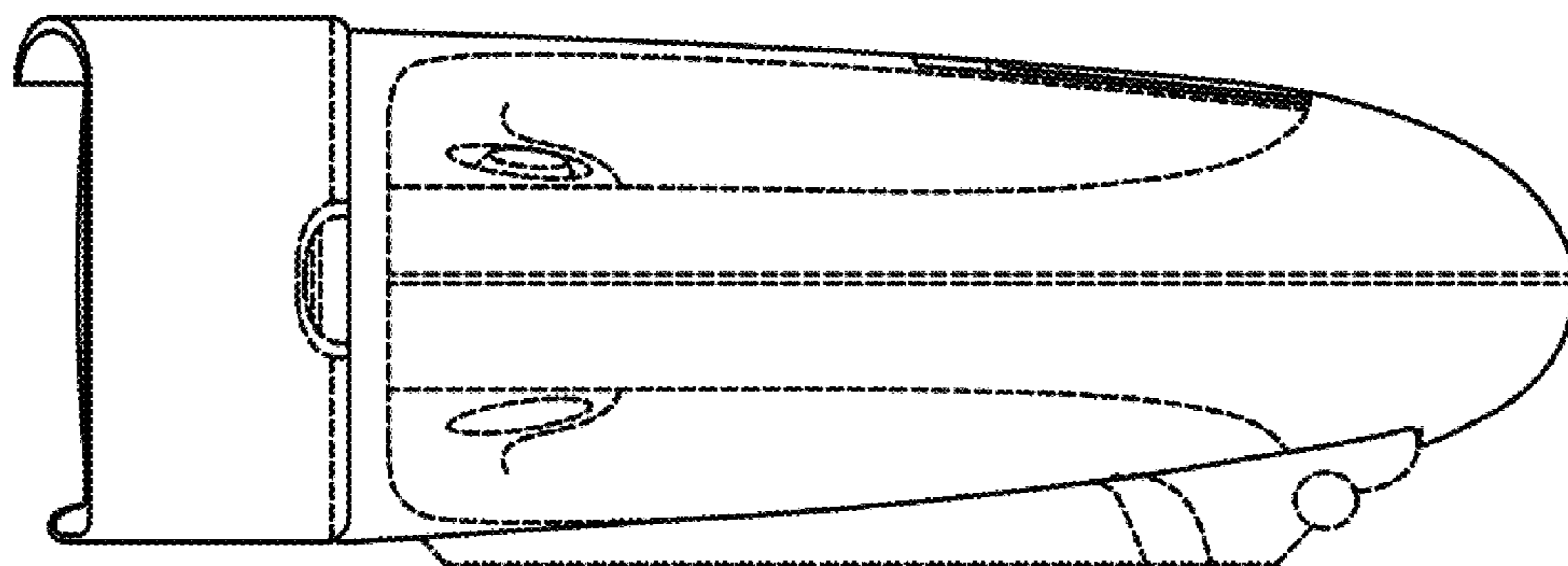
*FIG. 1*



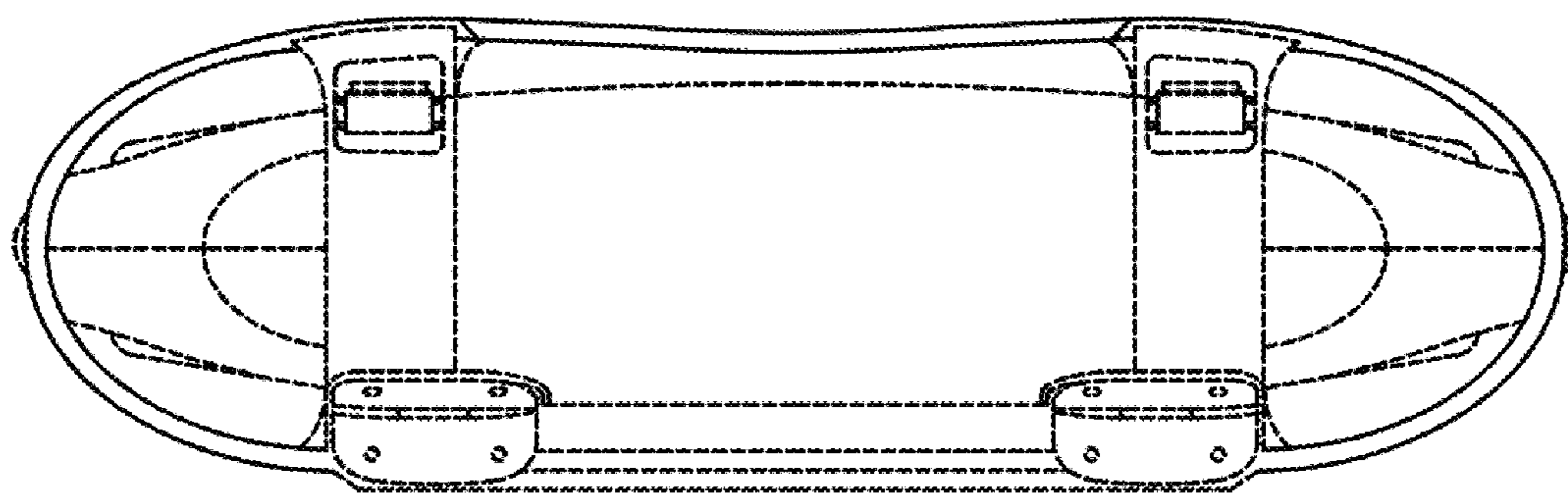
*FIG. 2*



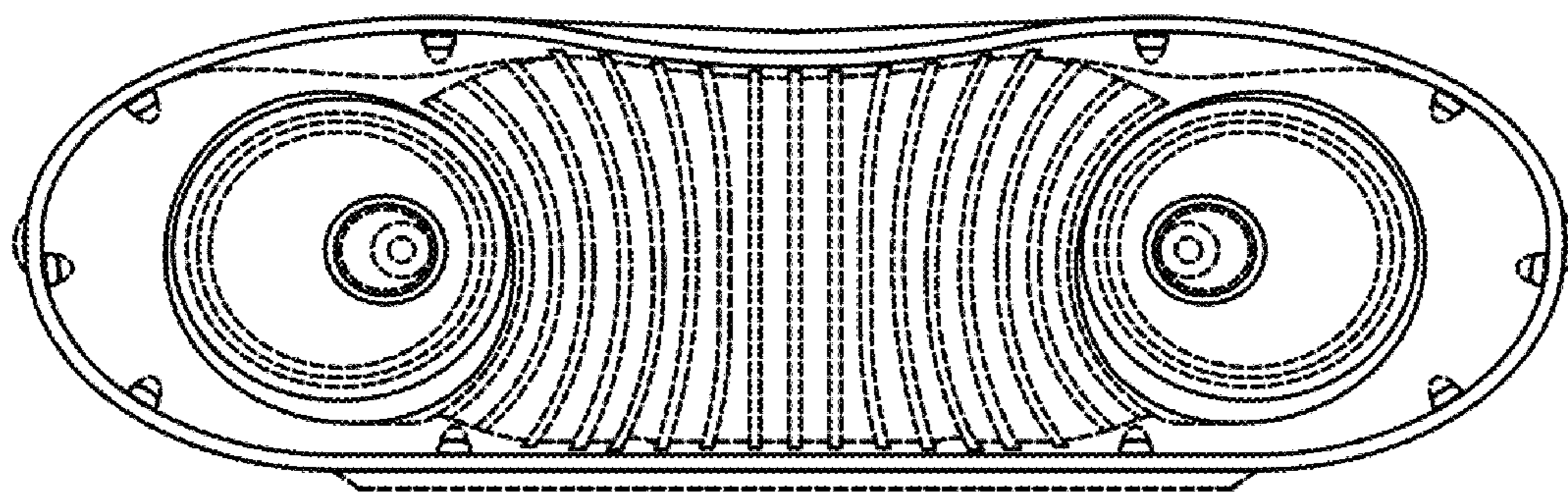
*FIG. 3*



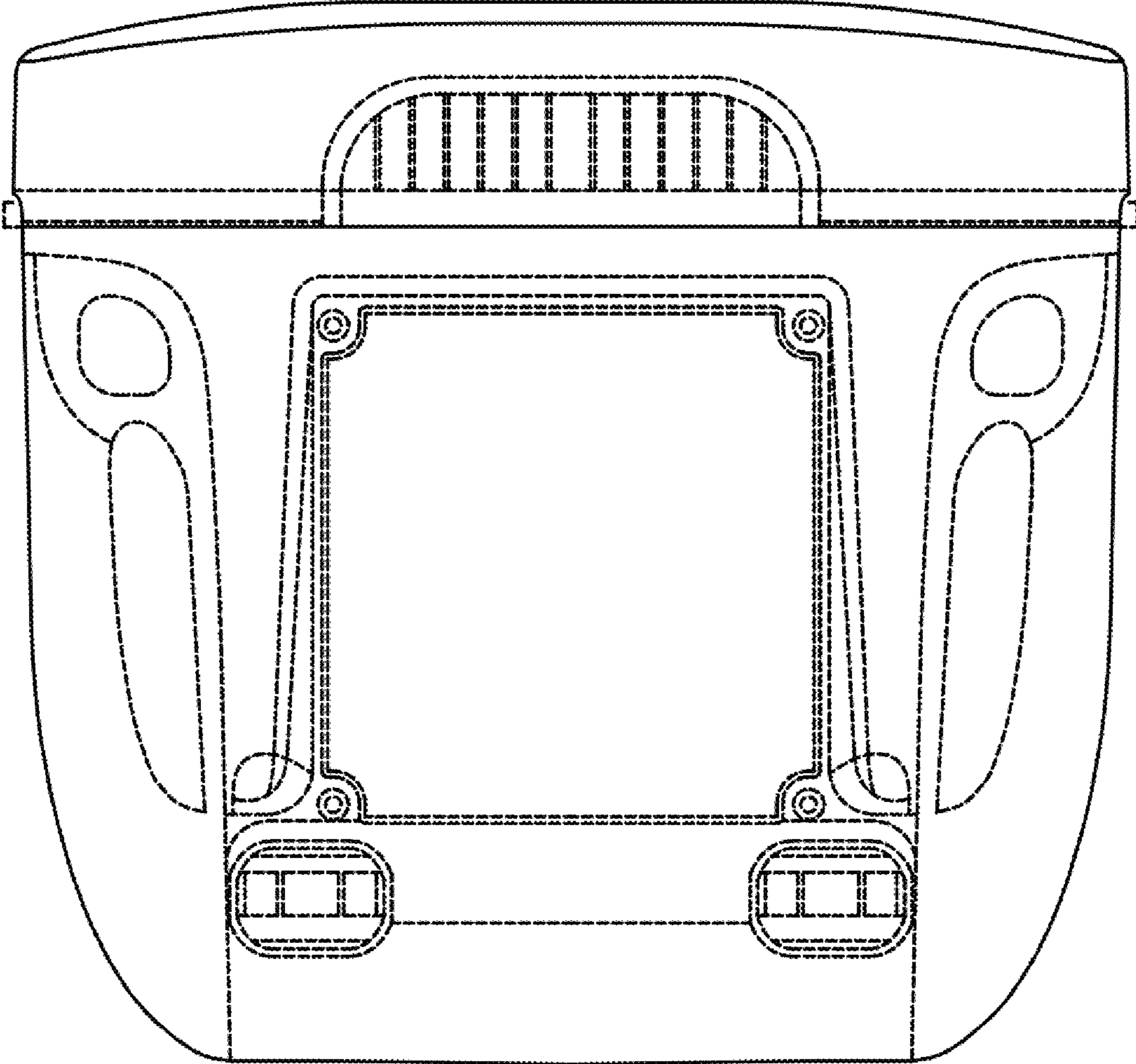
*FIG. 4*



*FIG. 5*



*FIG. 6*



*FIG. 7*