



US00D677580S

(12) **United States Design Patent**
Powers et al.

(10) **Patent No.:** **US D677,580 S**
(45) **Date of Patent:** **** Mar. 12, 2013**

(54) **OVER THE COUNTER MEDICINAL
CONTAINER WITH SURFACE
ORNAMENTATION**

(75) Inventors: **Diane Danheiser Powers**, Mason, OH
(US); **Andrea Marie Subler**, West
Chester, OH (US)

(73) Assignee: **The Procter & Gamble Company**,
Cincinnati, OH (US)

(**) Term: **14 Years**

(21) Appl. No.: **29/401,368**

(22) Filed: **Sep. 12, 2011**

Related U.S. Application Data

(63) Continuation-in-part of application No. 29/387,106,
filed on Mar. 9, 2011.

(51) **LOC (9) Cl.** **09-01**

(52) **U.S. Cl.** **D9/669; D9/434**

(58) **Field of Classification Search** D9/600,
D9/667, 669, 414-418, 430-434, 456-457;
206/494, 457, 527; 215/400; 220/890; 229/116.1;
D20/11, 22-25, 27-28

See application file for complete search history.

(56) **References Cited**

U.S. PATENT DOCUMENTS

| | | | | | | |
|----------|---|---|---------|-----------------|-------|--------|
| D489,002 | S | * | 4/2004 | Meyer et al. | | D9/669 |
| D587,111 | S | * | 2/2009 | Seol et al. | | D9/432 |
| D590,250 | S | * | 4/2009 | Seol | | D9/432 |
| D590,251 | S | * | 4/2009 | Seol et al. | | D9/432 |
| D590,252 | S | * | 4/2009 | Seol et al. | | D9/432 |
| D590,253 | S | * | 4/2009 | Seol et al. | | D9/432 |
| D599,201 | S | * | 9/2009 | Seol et al. | | D9/432 |
| D600,548 | S | * | 9/2009 | Seol et al. | | D9/432 |
| D603,701 | S | * | 11/2009 | Seol et al. | | D9/432 |
| D608,636 | S | * | 1/2010 | Seol | | D9/432 |
| D612,261 | S | * | 3/2010 | Champion et al. | | D9/600 |

* cited by examiner

Primary Examiner — Sandra Morris

(74) *Attorney, Agent, or Firm* — Alexandra S. Anoff

(57) **CLAIM**

The ornamental design for an over the counter medicinal container with surface ornamentation, as shown and described.

DESCRIPTION

The present application file contains at least one drawing executed in color. Copies of this patent or patent application publication with color drawing(s) will be provided by the Office upon request and payment of the necessary fee.

FIG. 1 is a perspective view of an over the counter medicinal container with surface ornamentation embodying our new design;

FIG. 2 is a front view thereof;

FIG. 3 is a rear view thereof;

FIG. 4 is right side view thereof;

FIG. 5 is a left side view thereof;

FIG. 6 is a top view thereof;

FIG. 7 is a bottom view thereof;

FIG. 8 is a perspective view of a second embodiment of an over the counter medicinal container with surface ornamentation embodying our new design;

FIG. 9 is a front view thereof;

FIG. 10 is a rear view thereof;

FIG. 11 is a right side view thereof;

FIG. 12 is a left side view thereof;

FIG. 13 is a top view thereof;

FIG. 14 is a bottom view thereof;

FIG. 15 is a perspective view of a third embodiment of an over the counter medicinal container with surface ornamentation embodying our new design;

FIG. 16 is a front view thereof;

FIG. 17 is a rear view thereof;

FIG. 18 is a right side view thereof;

FIG. 19 is a left side view thereof;

FIG. 20 is a top view thereof;

FIG. 21 is a bottom view thereof;

FIG. 22 is a perspective view of a fourth embodiment of an over the counter medicinal container with surface ornamentation embodying our new design;

FIG. 23 is a front view thereof;

FIG. 24 is a rear view thereof;

FIG. 25 is a right side view thereof;

FIG. 26 is a left side view thereof;

FIG. 27 is a top view thereof;

FIG. 28 is a bottom view thereof;

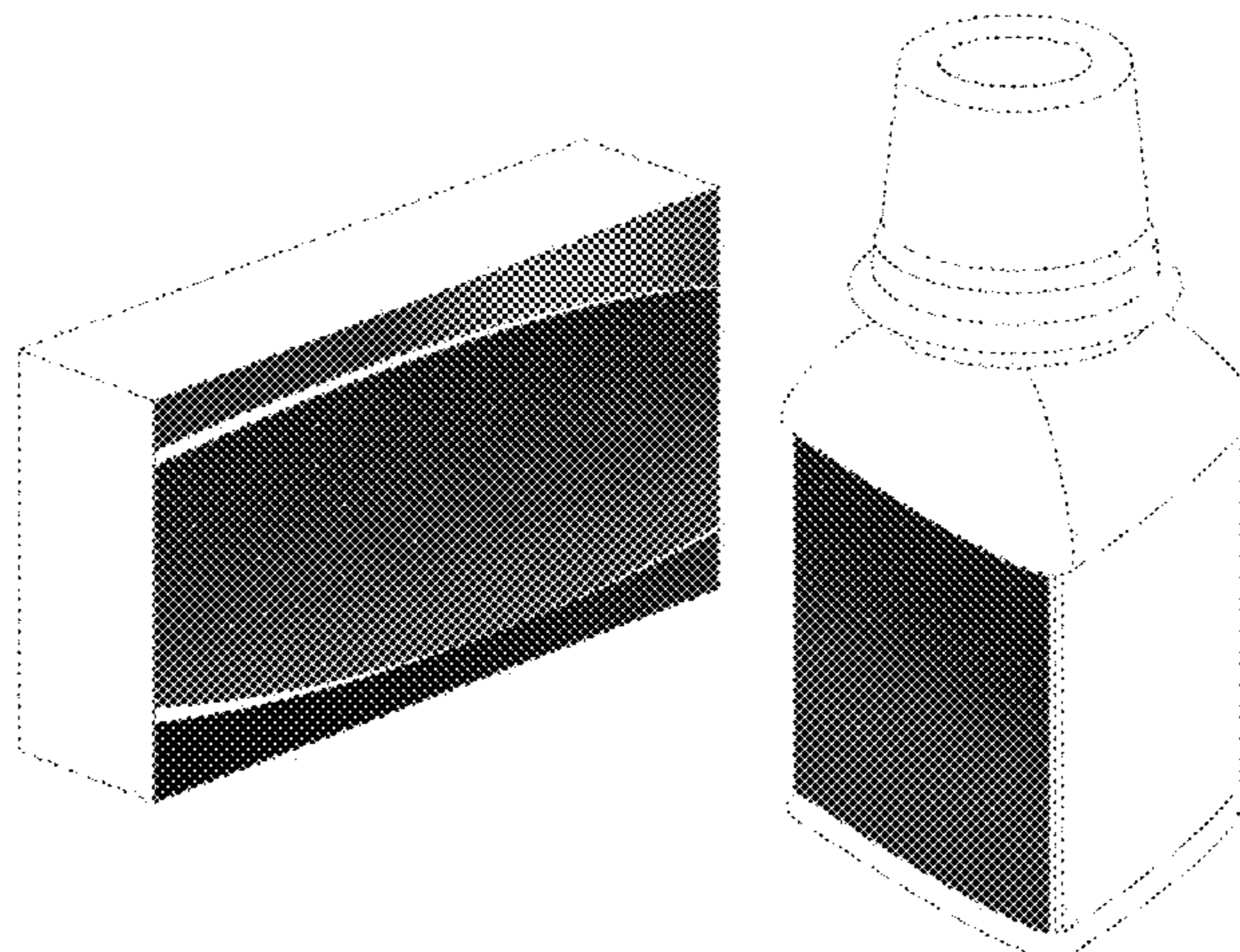


FIG. 29 is a perspective view of a fifth embodiment of an over the counter medicinal container with surface ornamentation embodying our new design;
FIG. 30 is a front view thereof;
FIG. 31 is a rear view thereof;
FIG. 32 is a right side view thereof;
FIG. 33 is a left side view thereof;
FIG. 34 is a top view thereof;
FIG. 35 is a bottom view thereof;
FIG. 36 is a perspective view of a sixth embodiment of an over the counter medicinal container with surface ornamentation embodying our new design;

FIG. 37 is a front view thereof;
FIG. 38 is a rear side view thereof;
FIG. 39 is a right side view thereof;
FIG. 40 is a left view thereof;
FIG. 41 is a top view thereof; and,
FIG. 42 is a bottom view thereof.
Broken lines are included herein for illustrative purposes only and form no part of the claimed design.

**1 Claim, 21 Drawing Sheets
(12 of 21 Drawing Sheet(s) Filed in Color)**

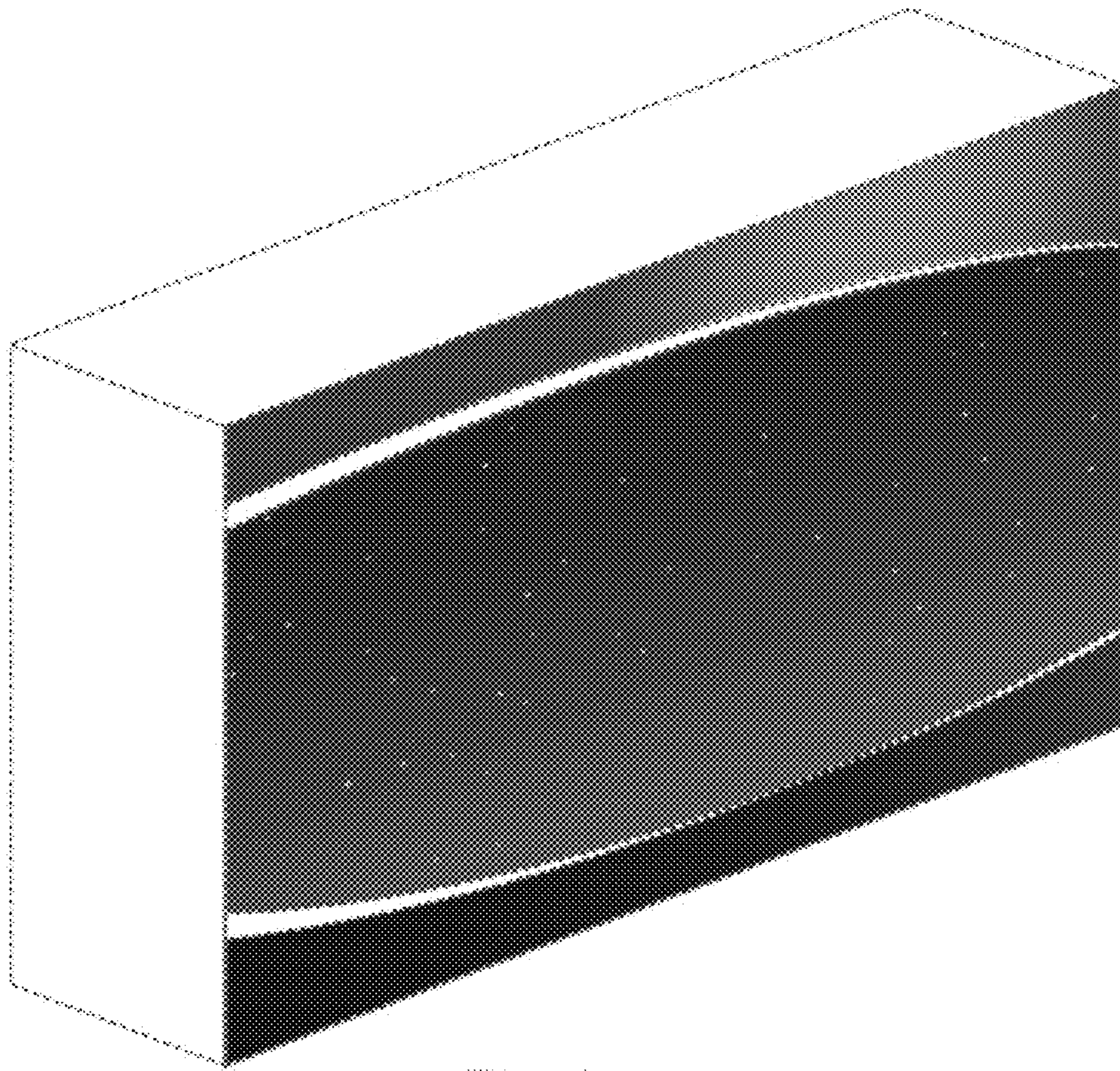


Fig. 1

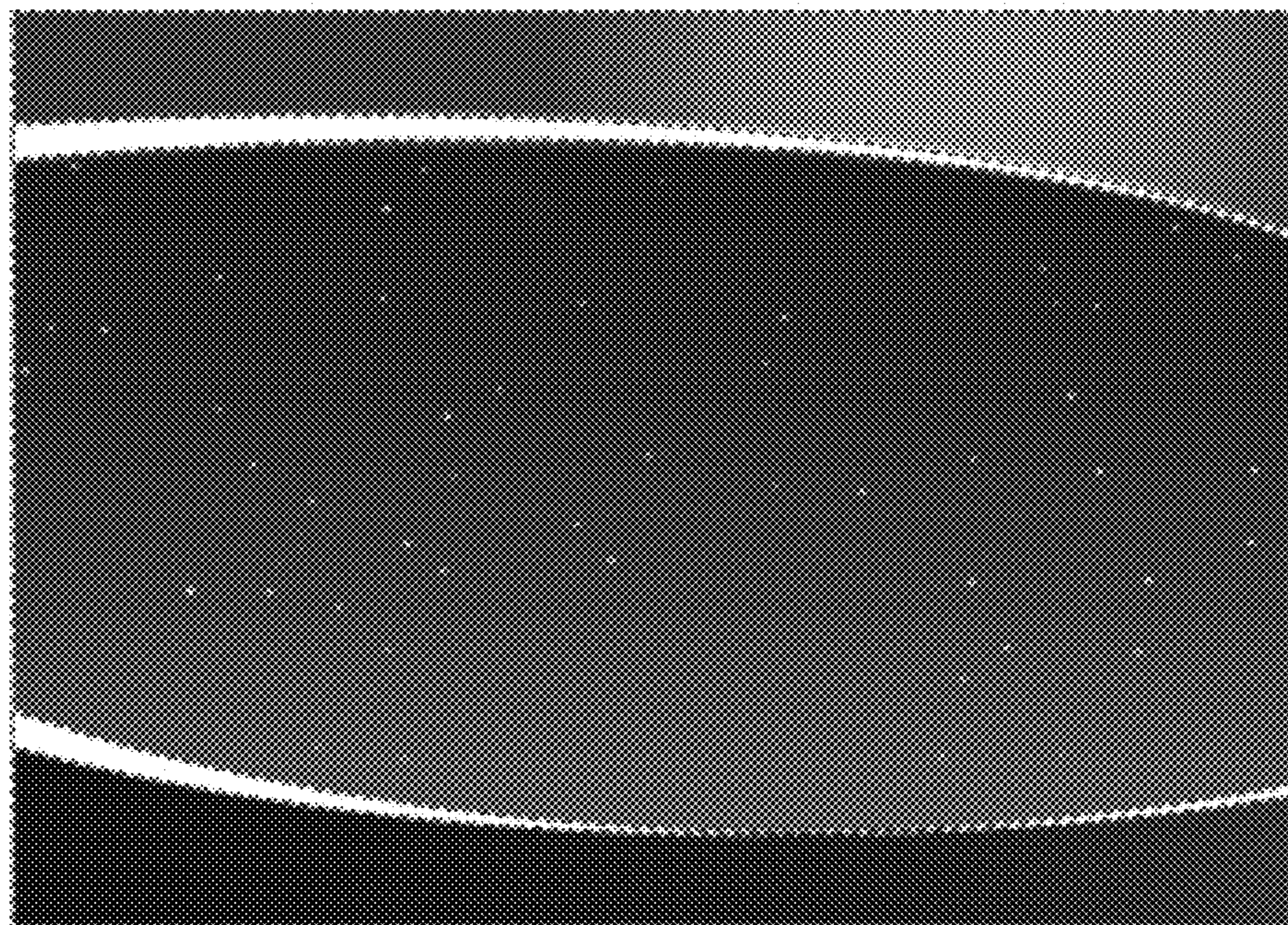


Fig. 2



Fig. 3

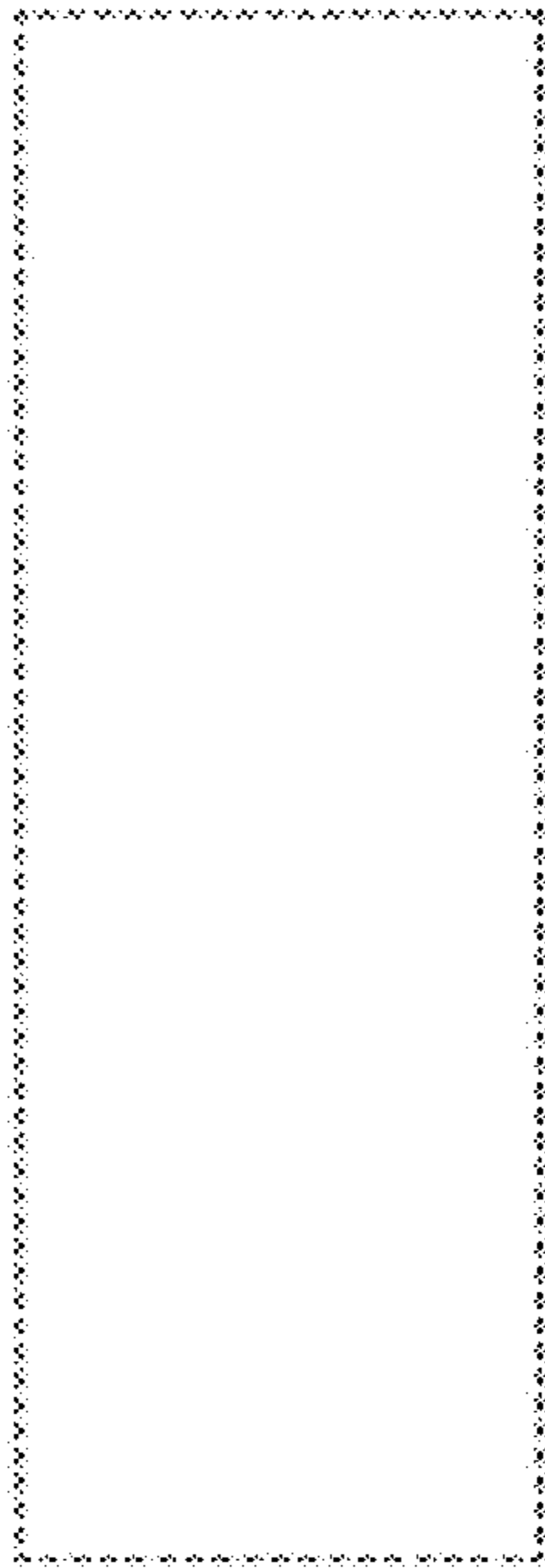


Fig. 4

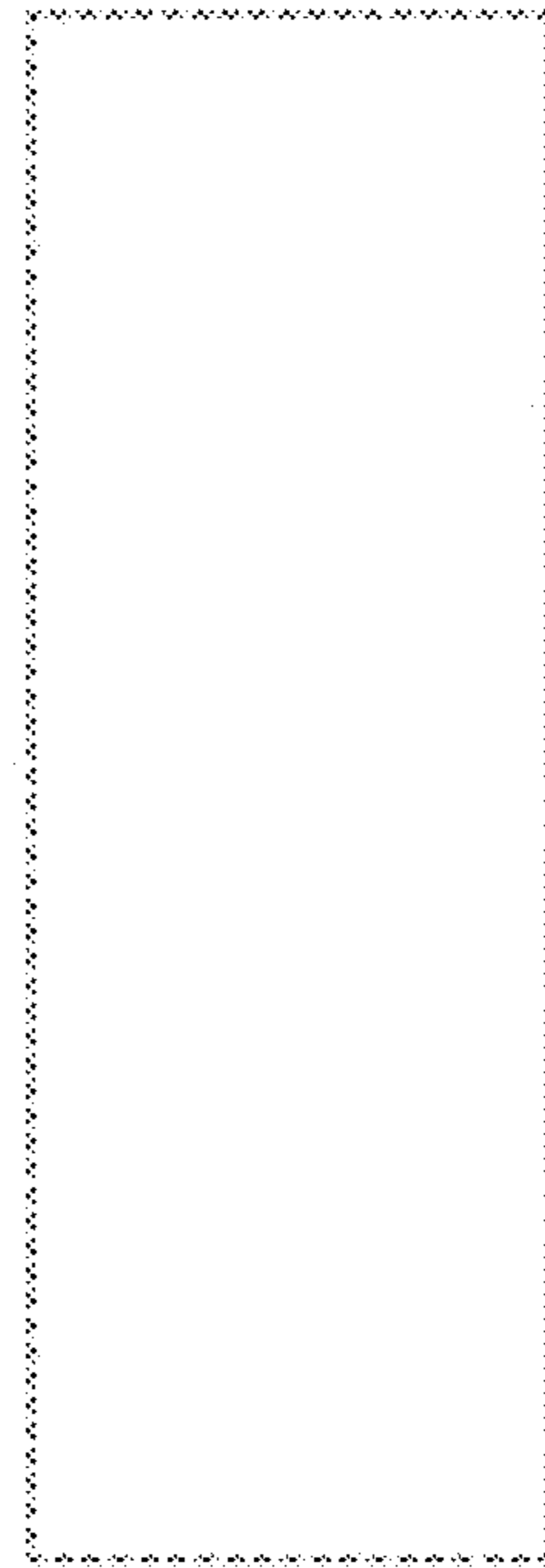


Fig. 5



Fig. 6



Fig. 7

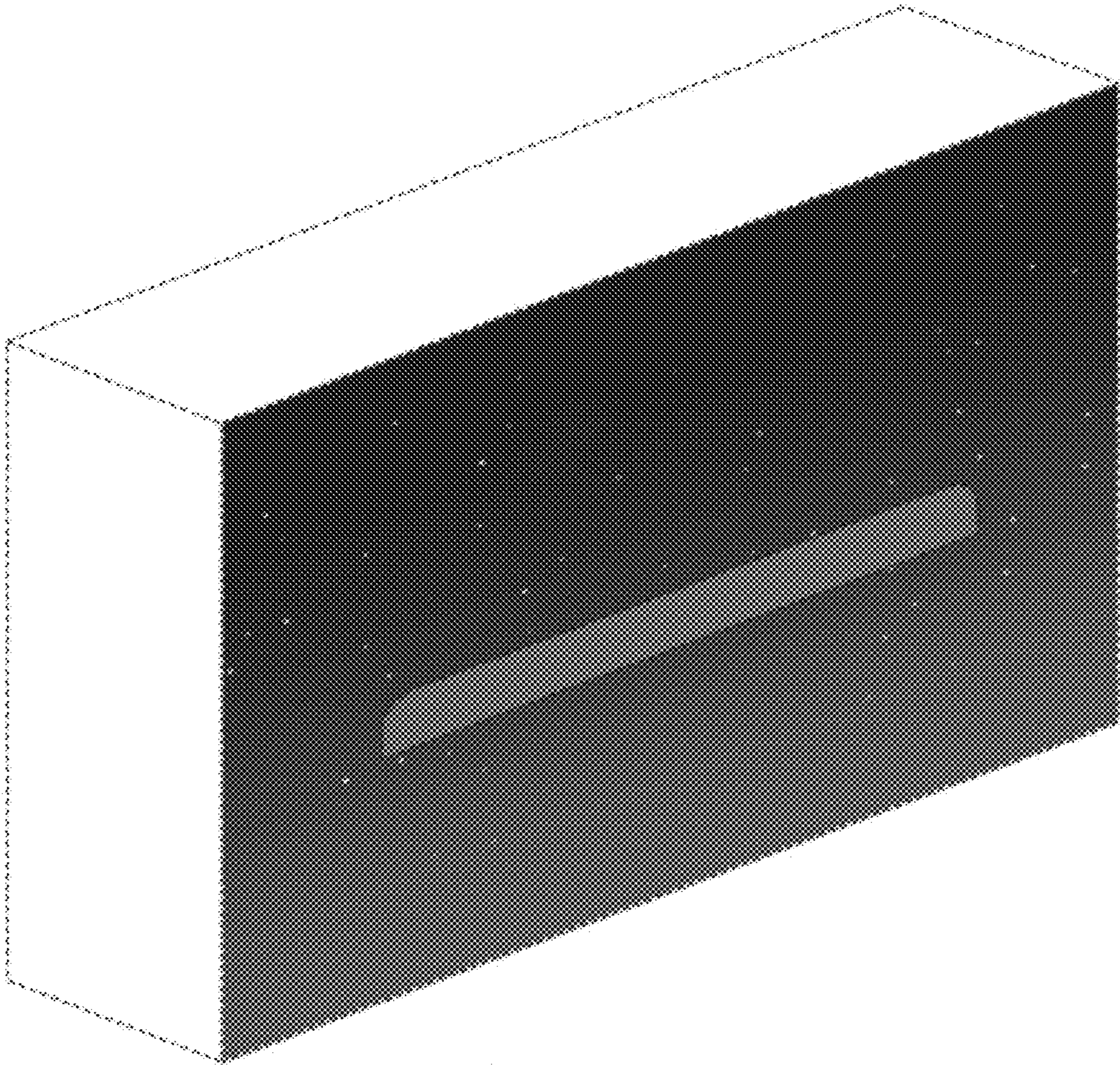


Fig. 8

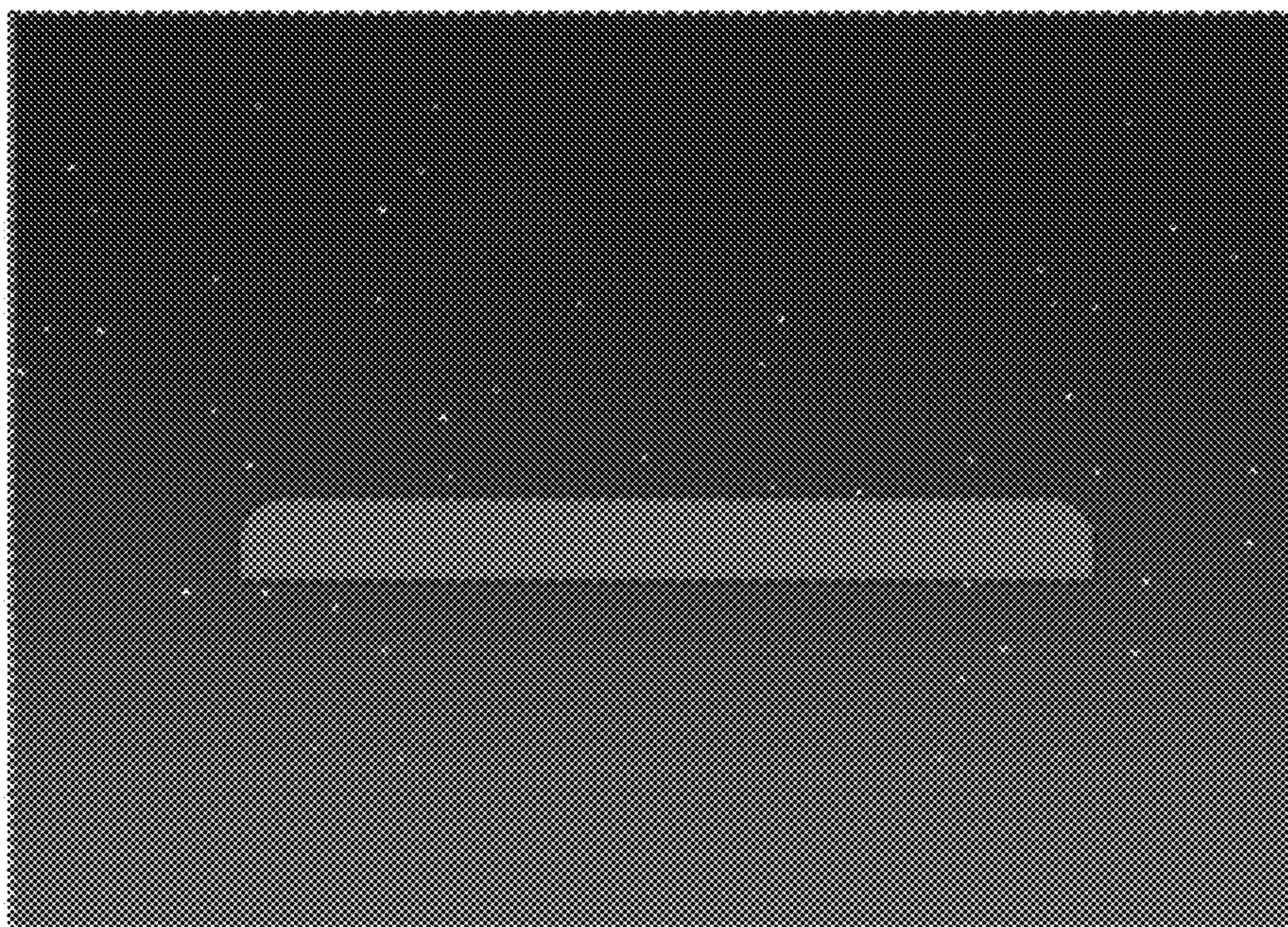


Fig. 9



Fig. 10

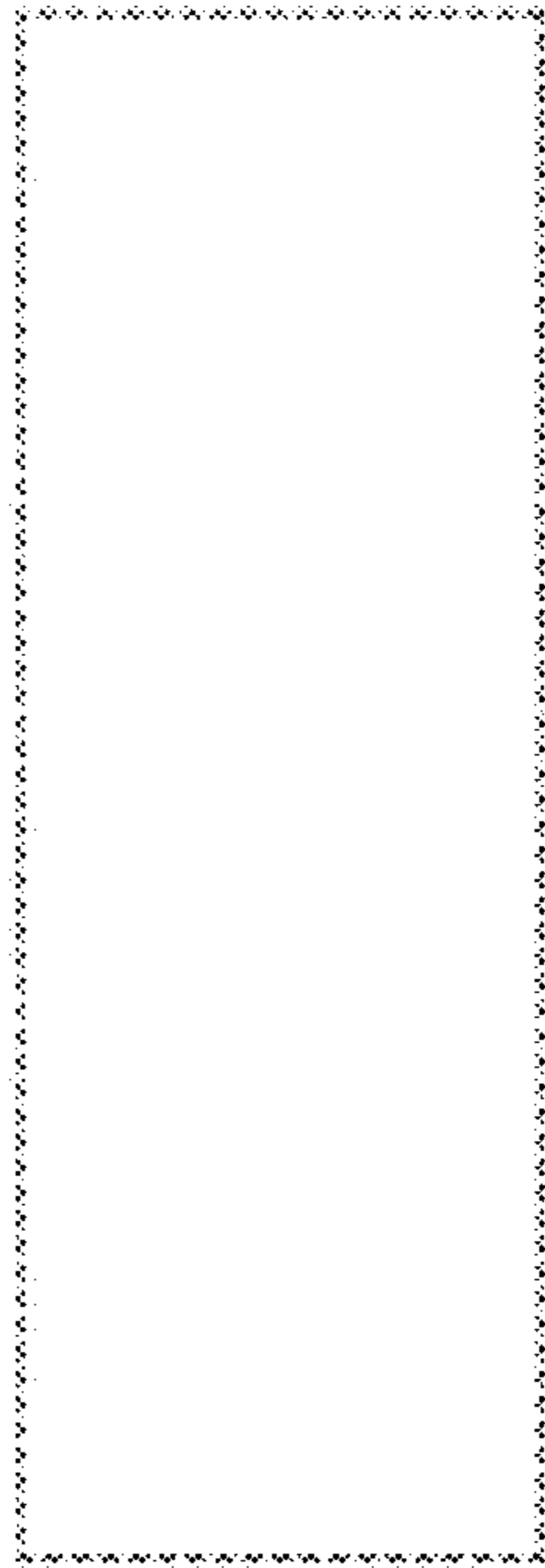


Fig. 11

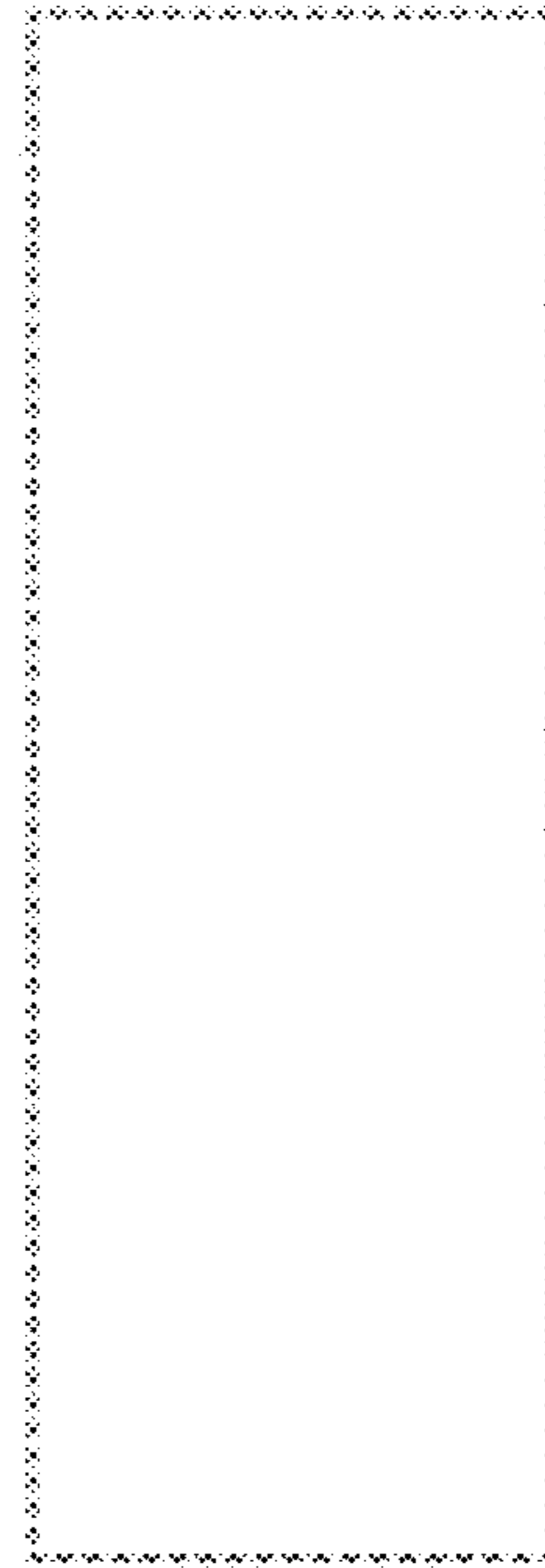


Fig. 12



Fig. 13



Fig. 14

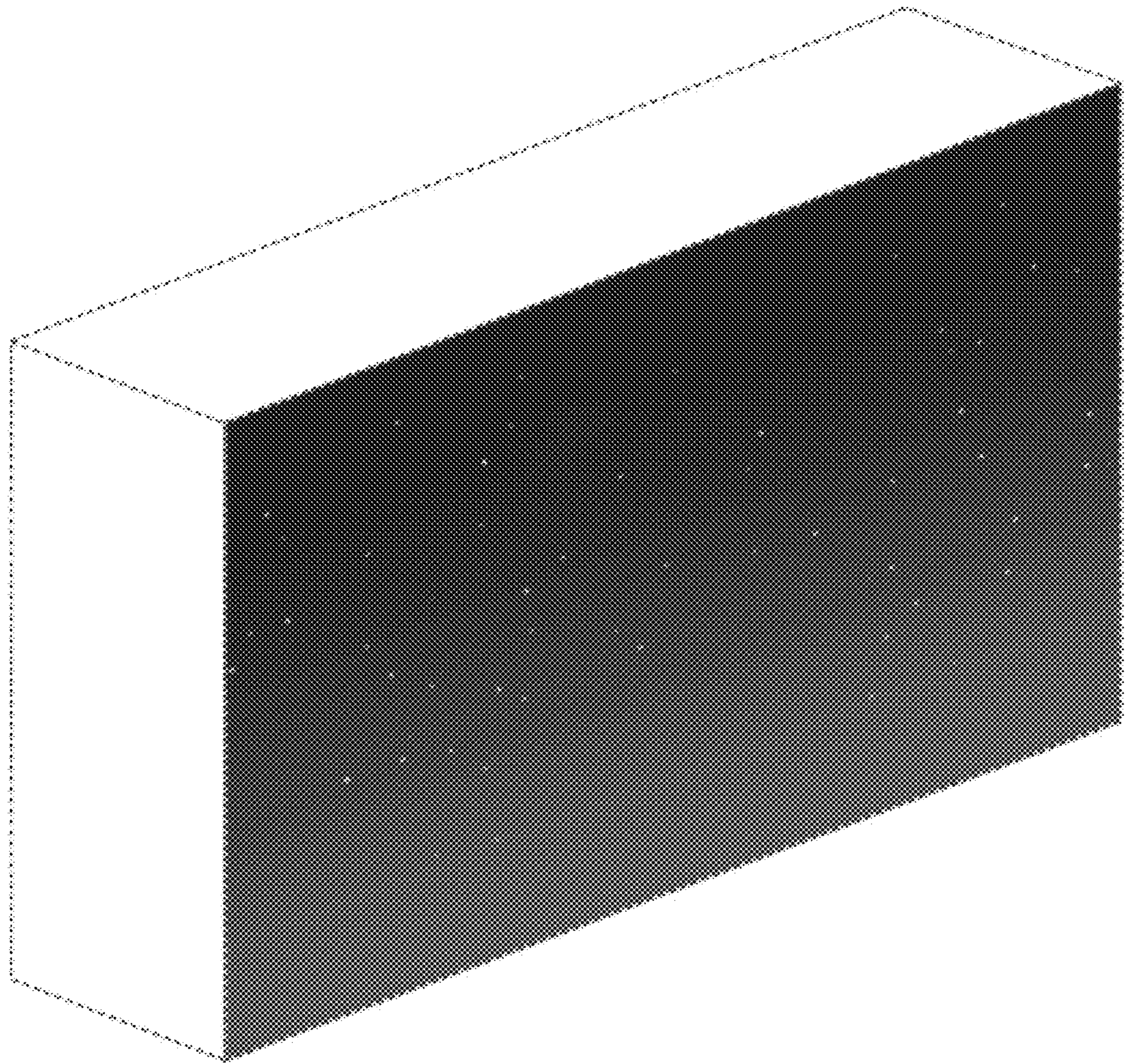


Fig. 15

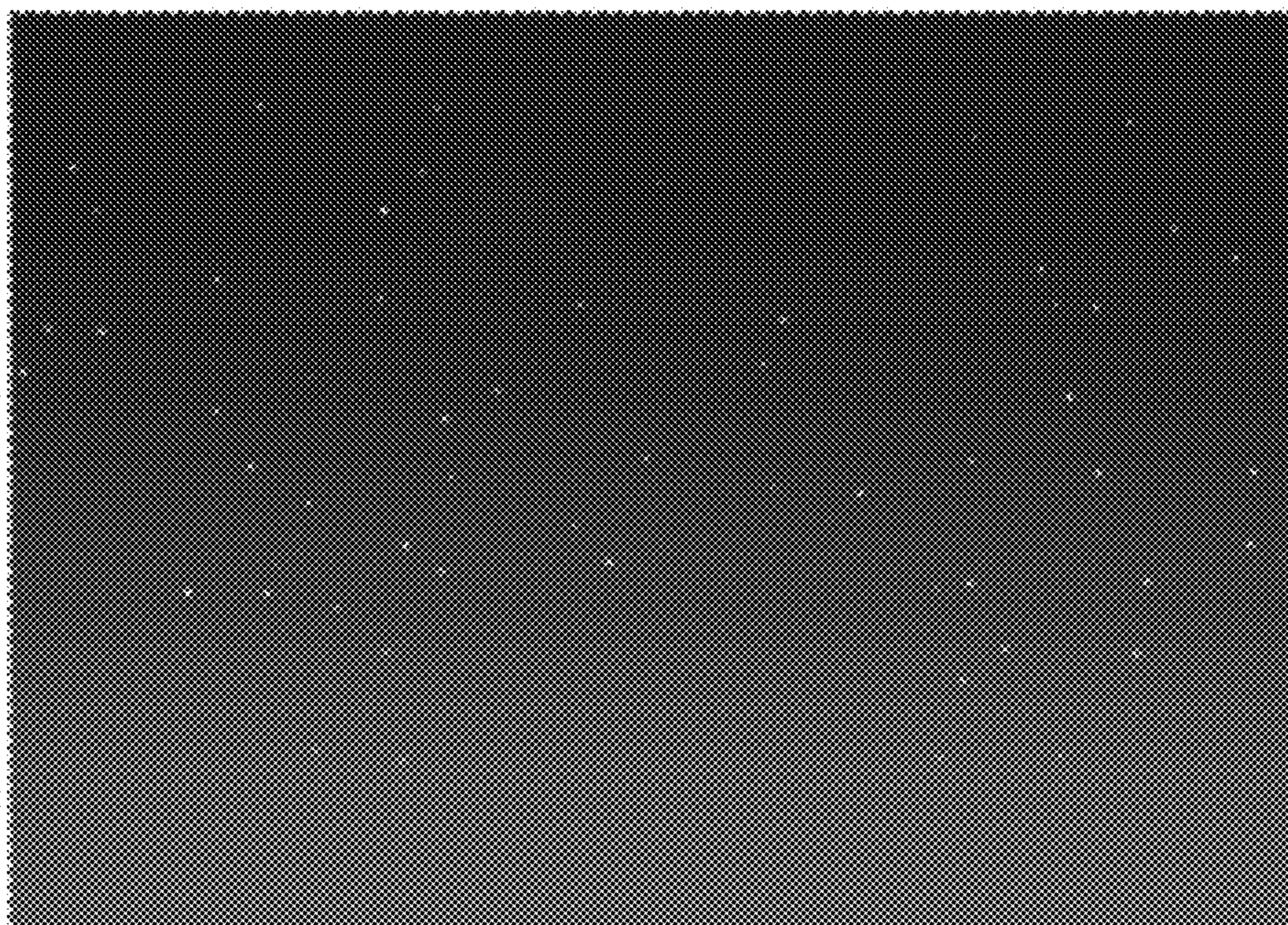


Fig. 16



Fig. 17

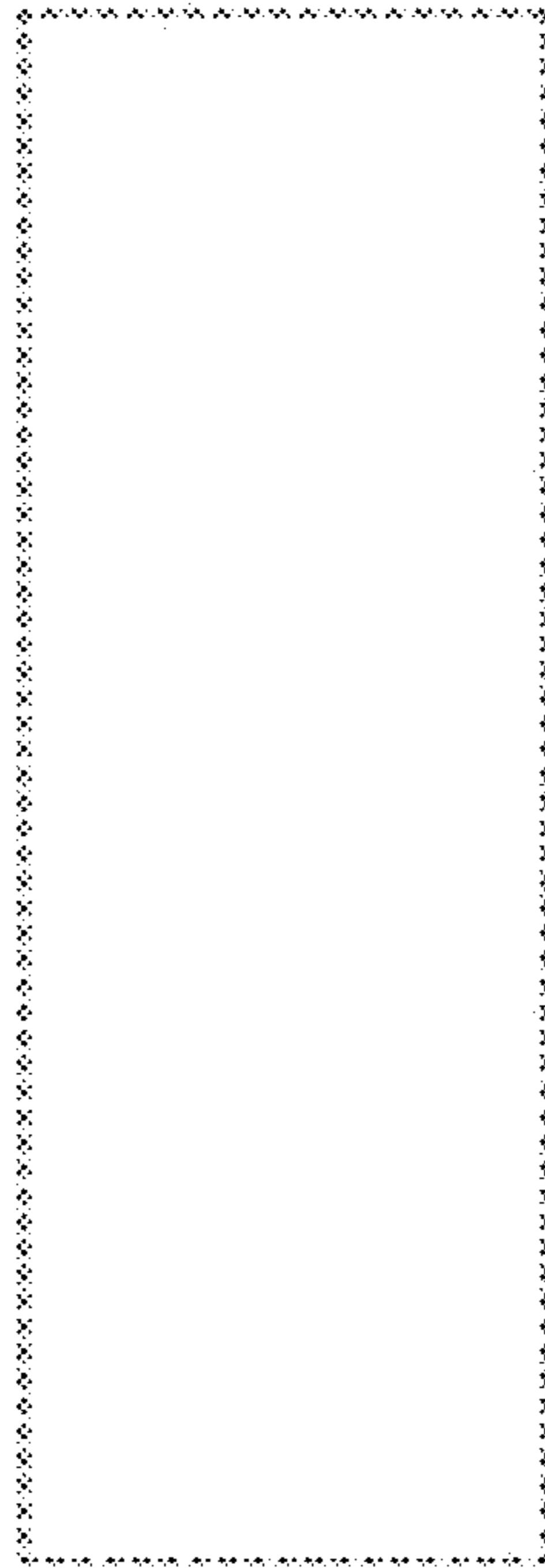


Fig. 18

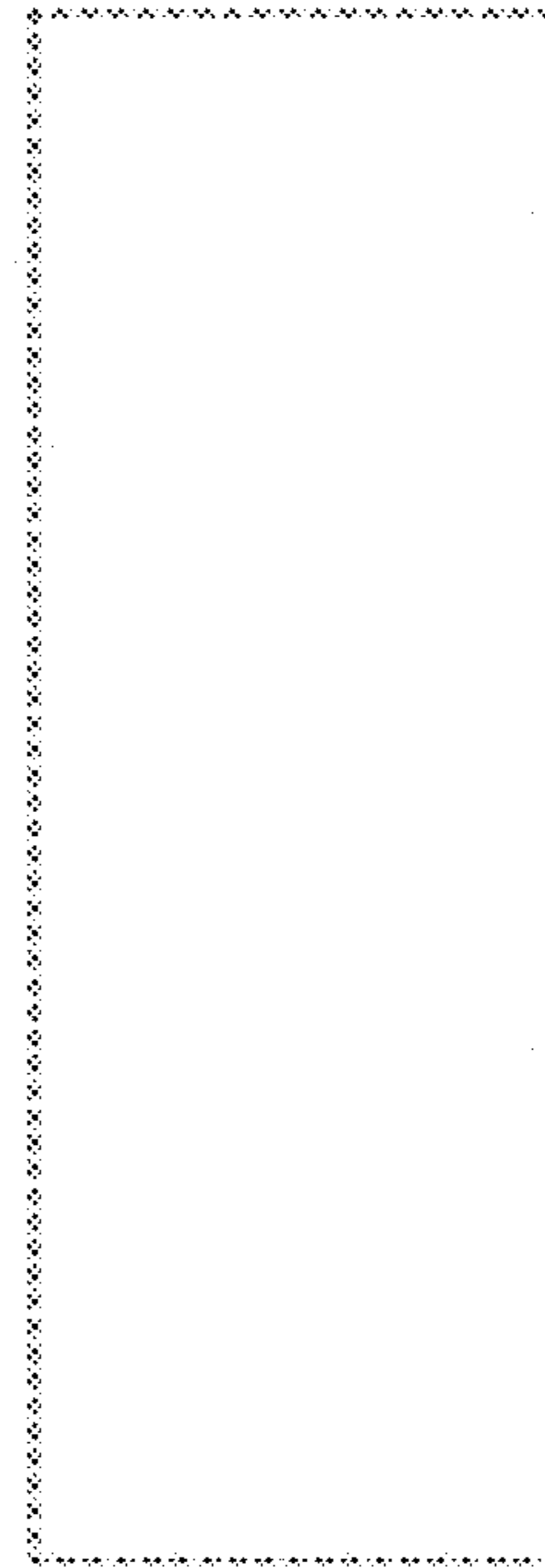


Fig. 19



Fig. 20

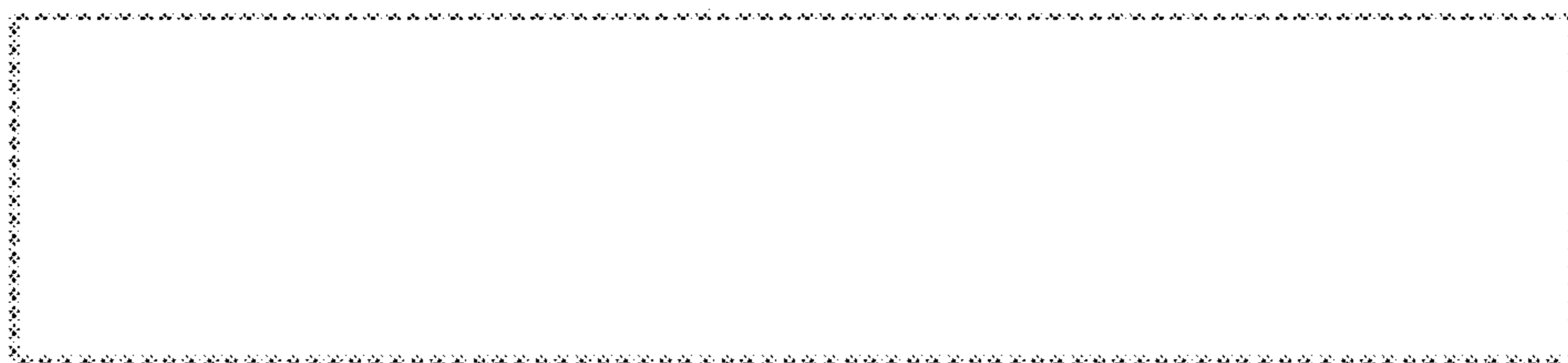


Fig. 21

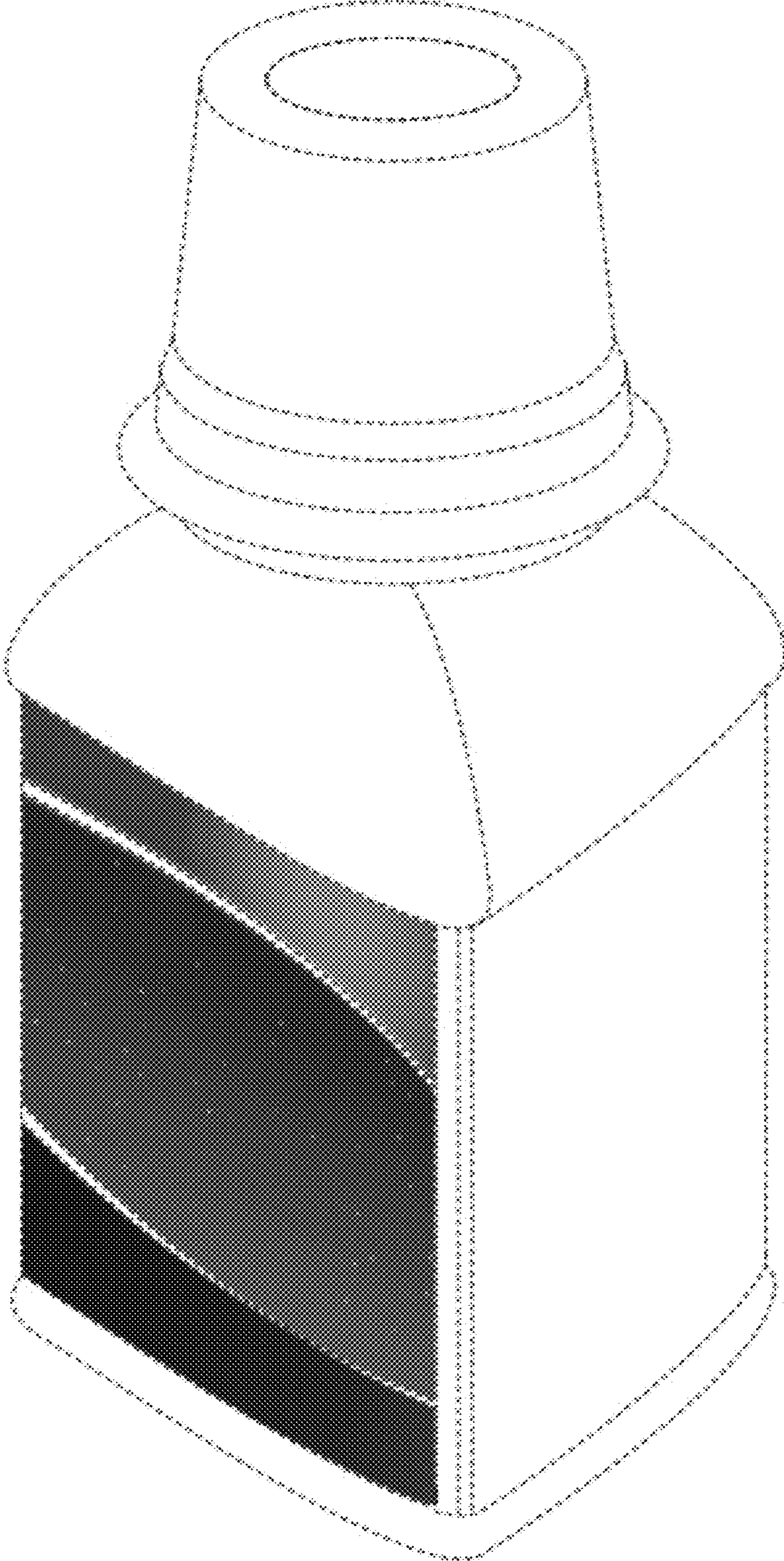


Fig 22

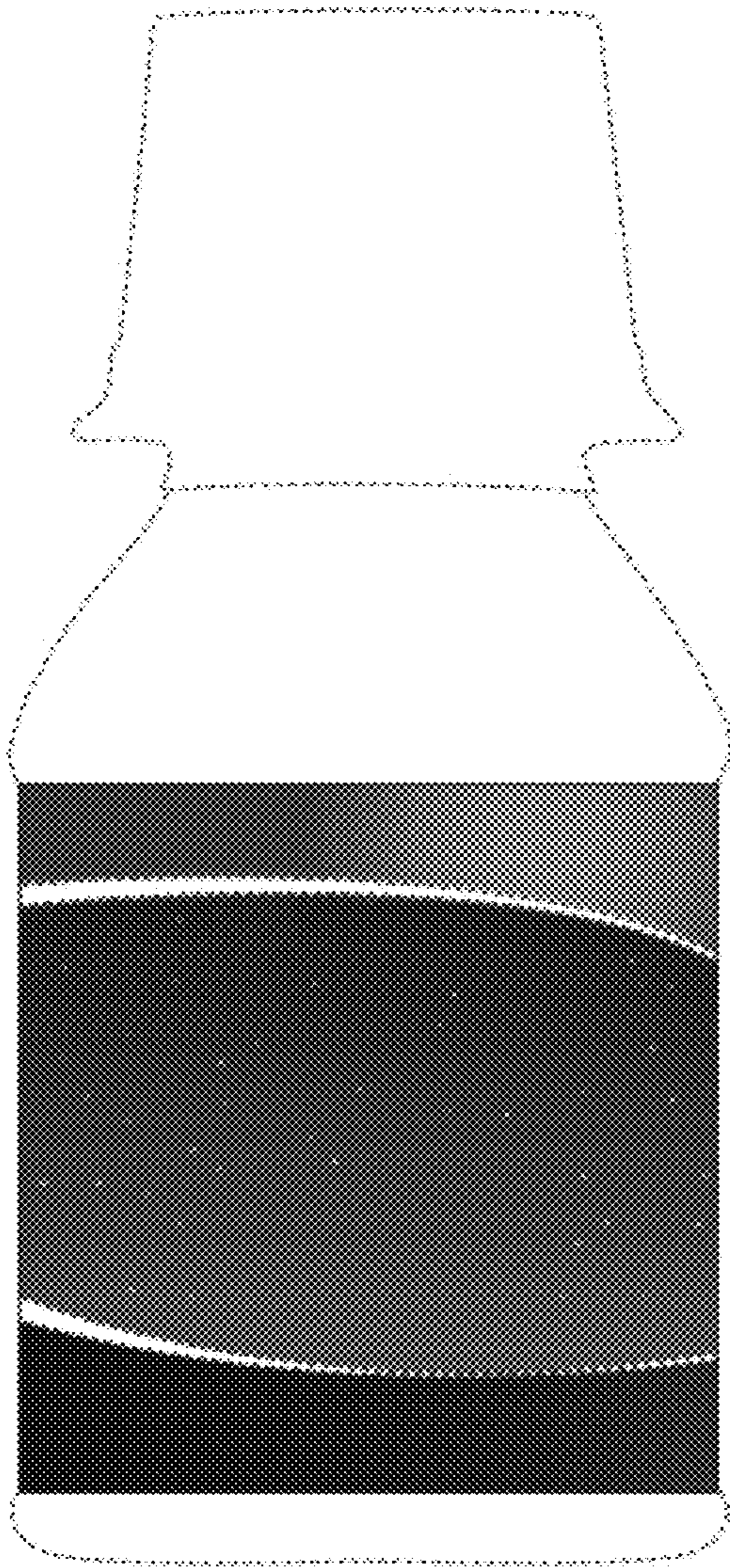


Fig. 23

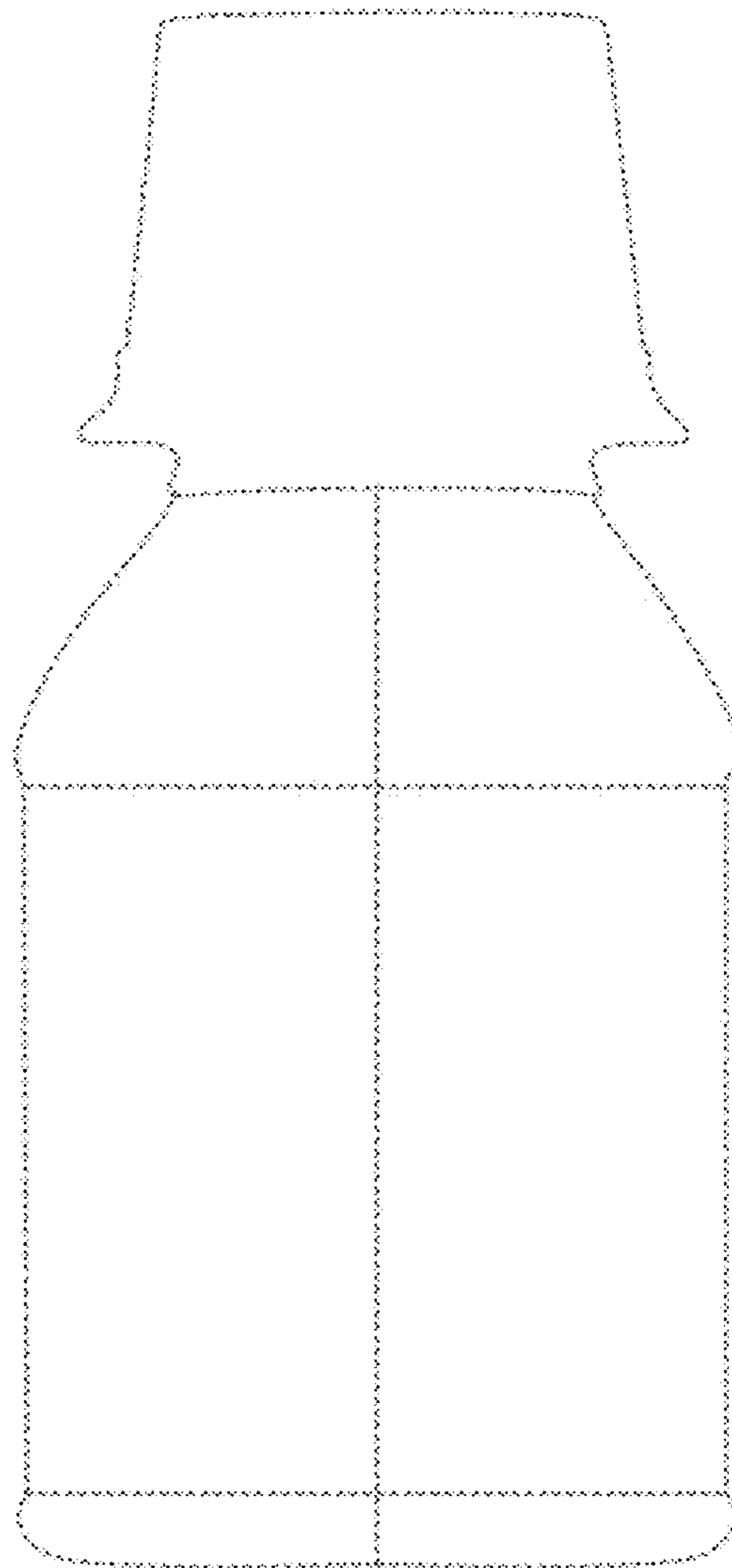


Fig. 24

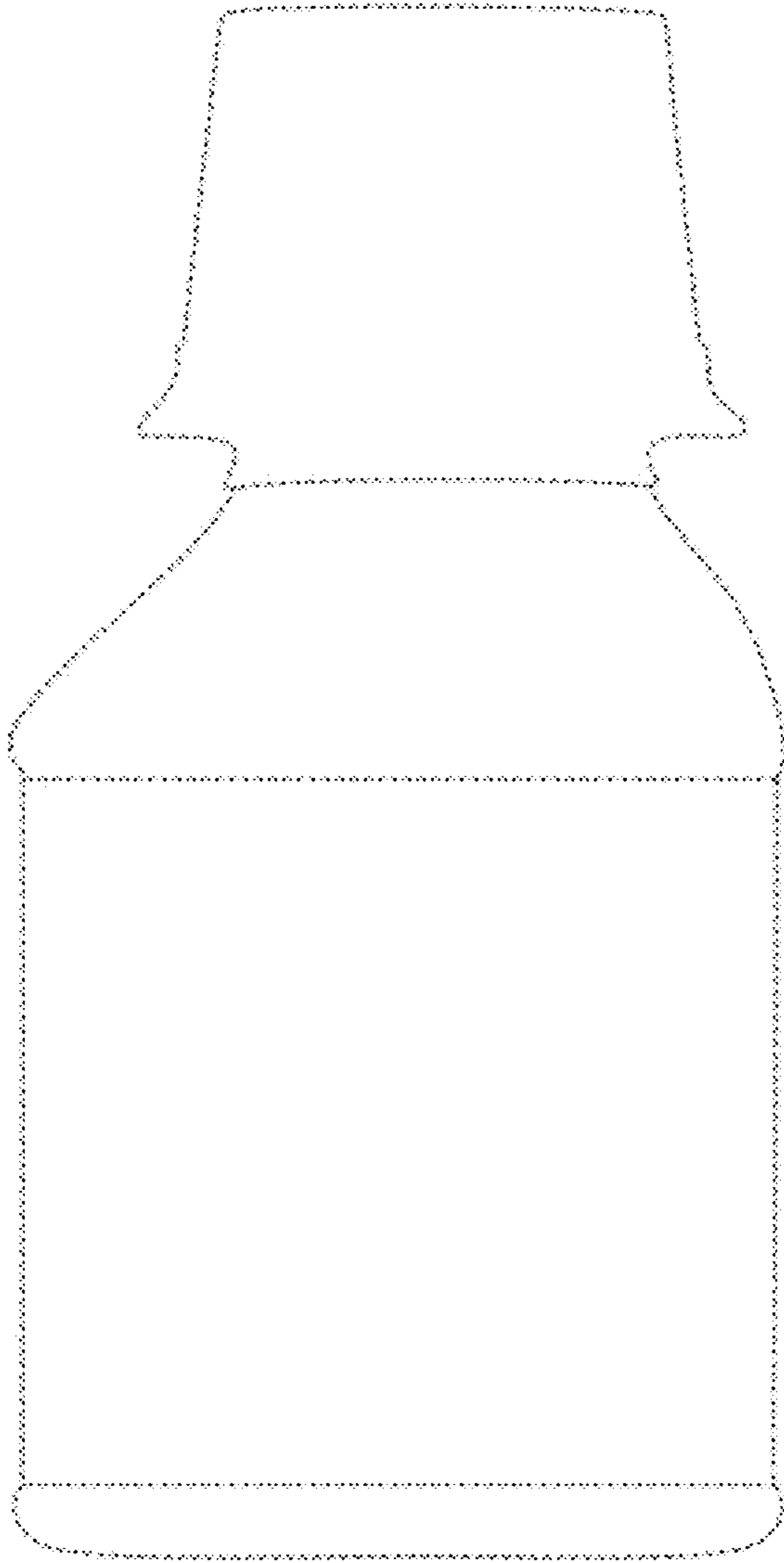


Fig. 25

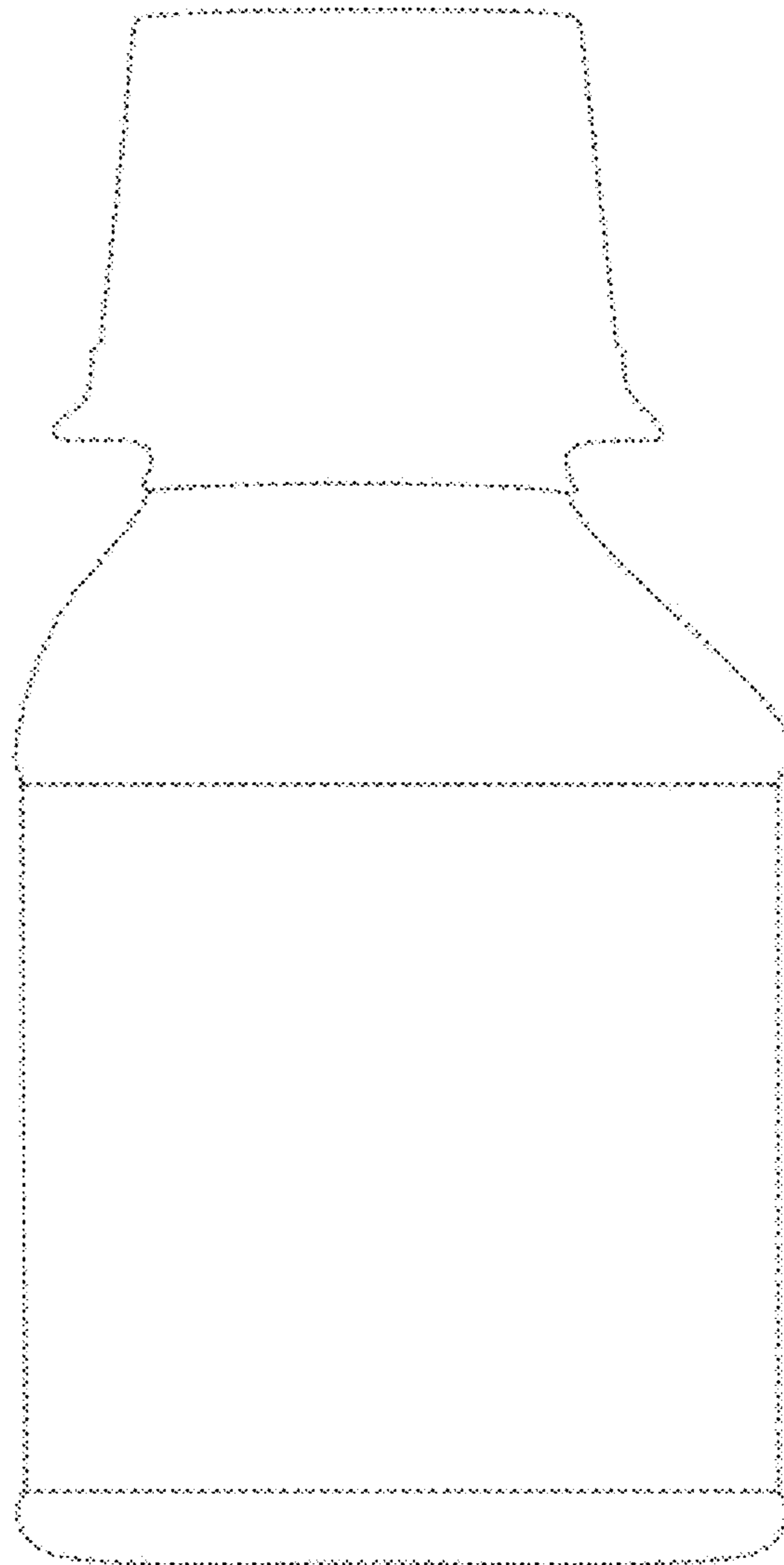


Fig. 26

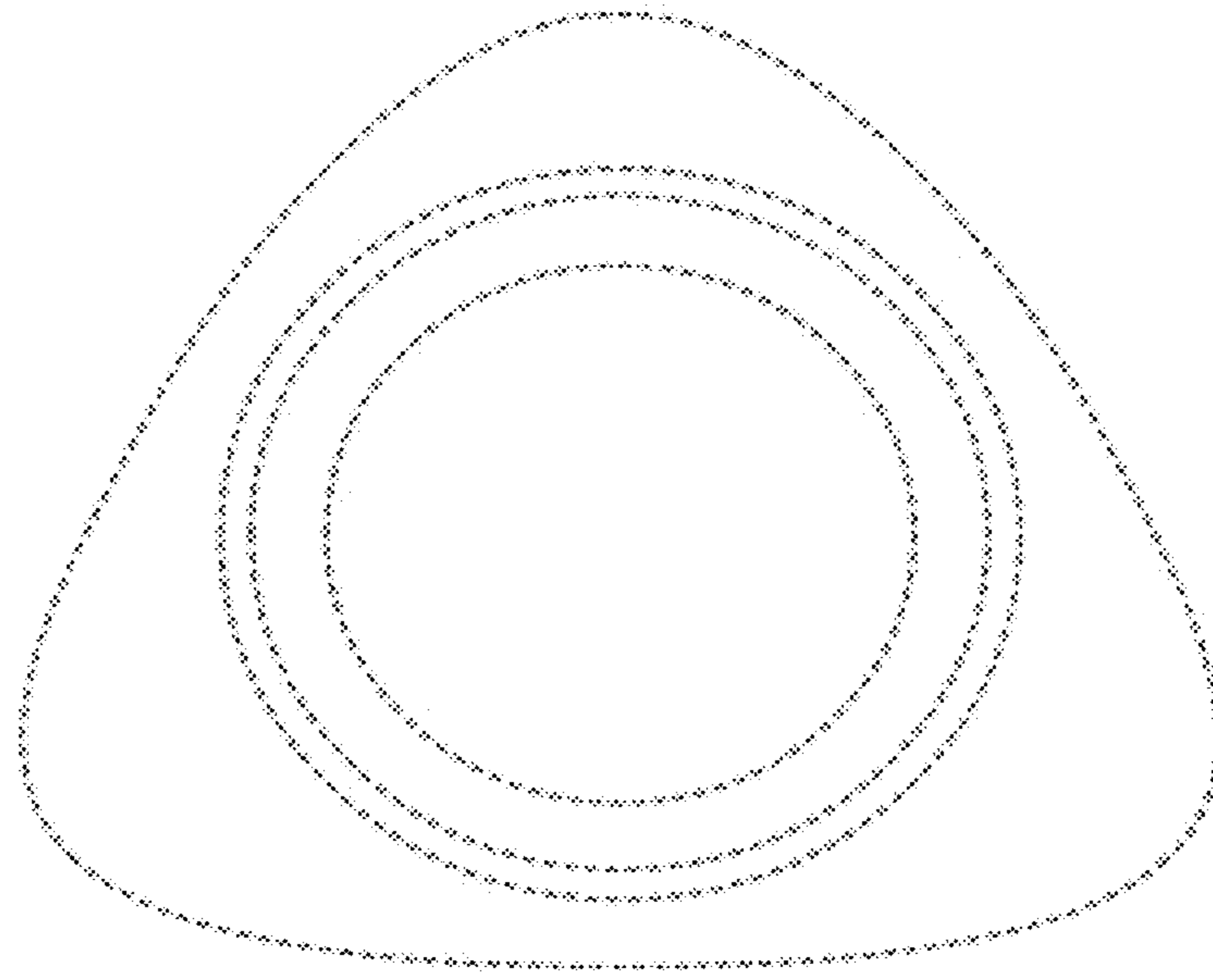


Fig. 27

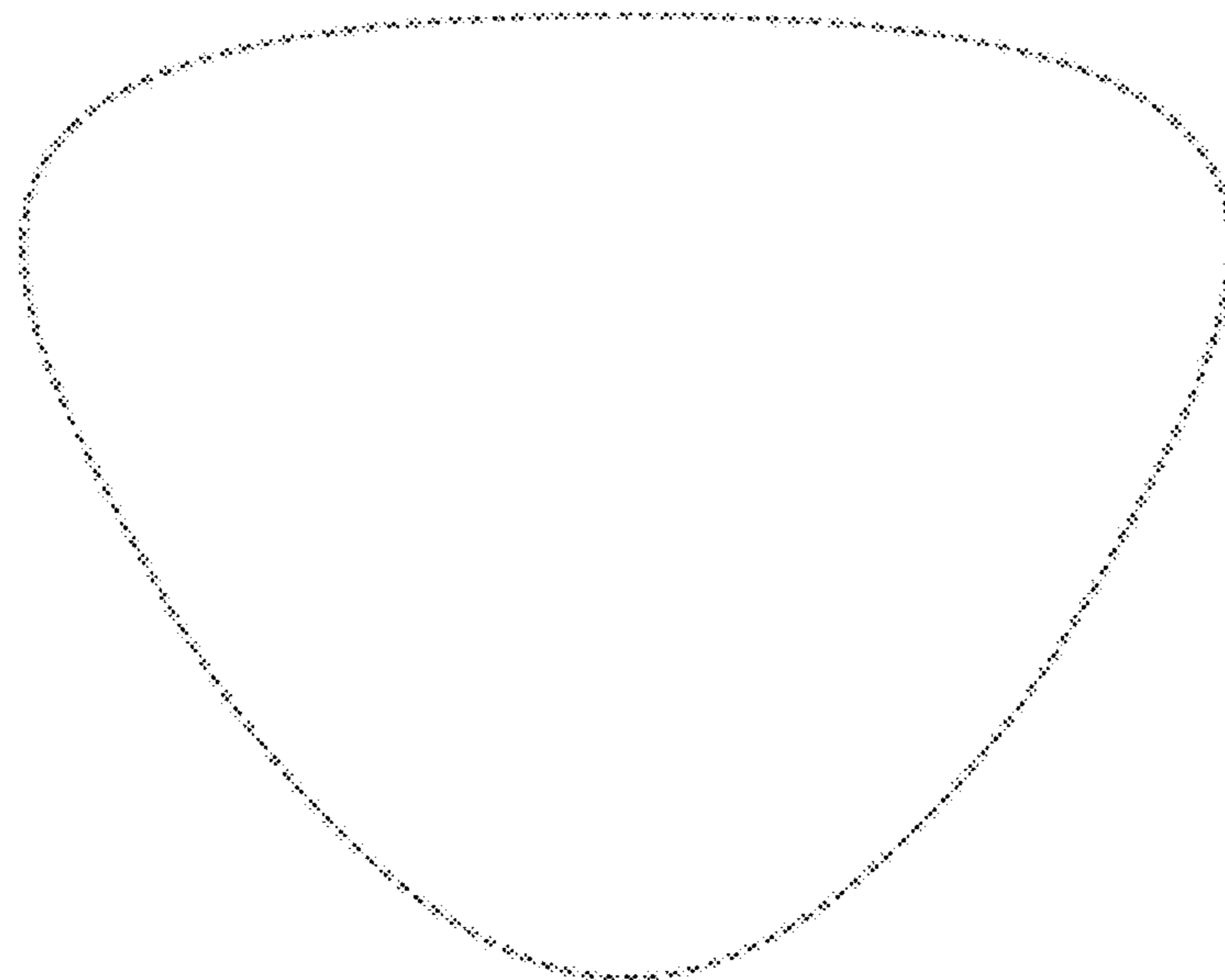


Fig. 28

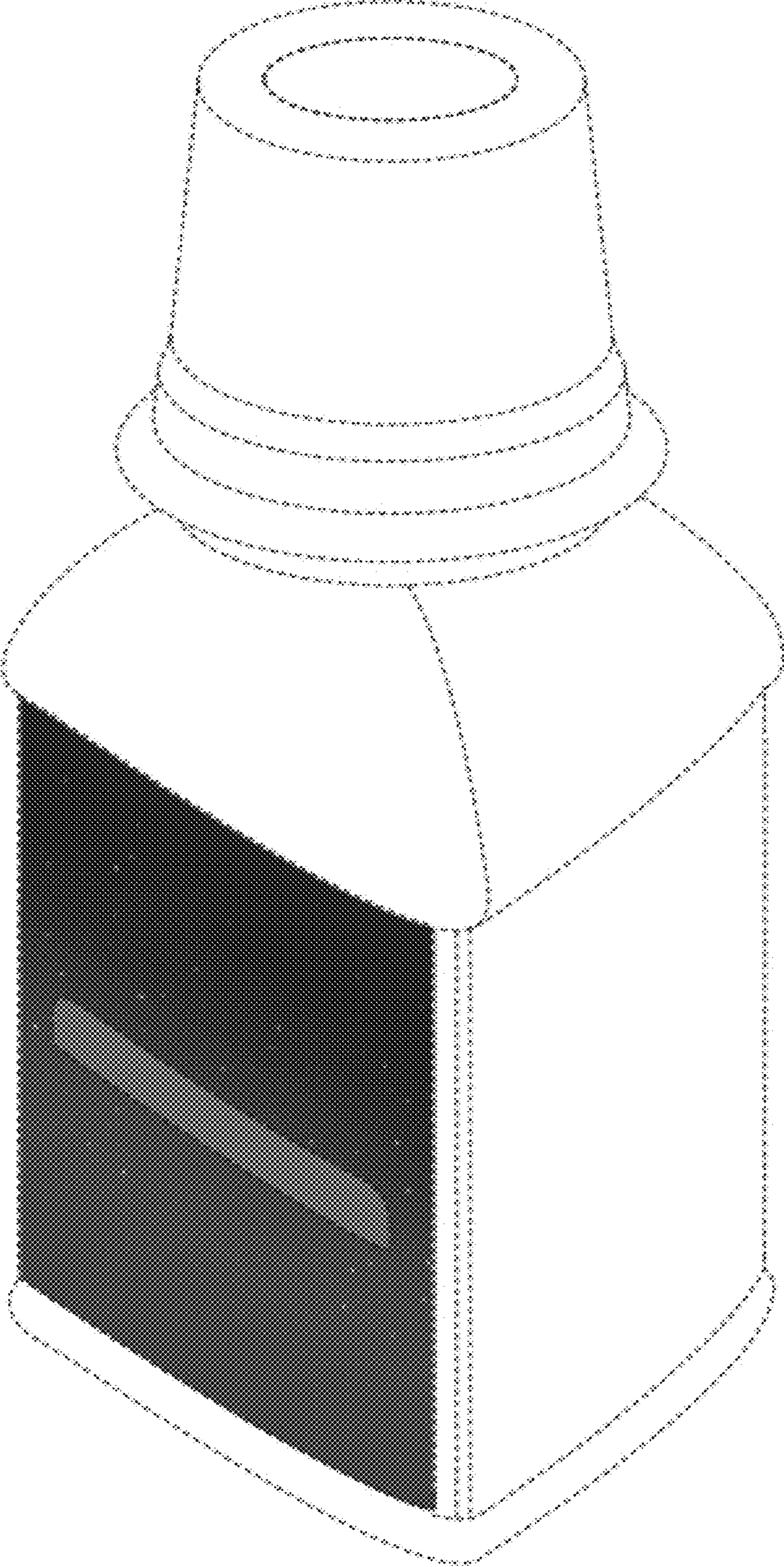


Fig 29

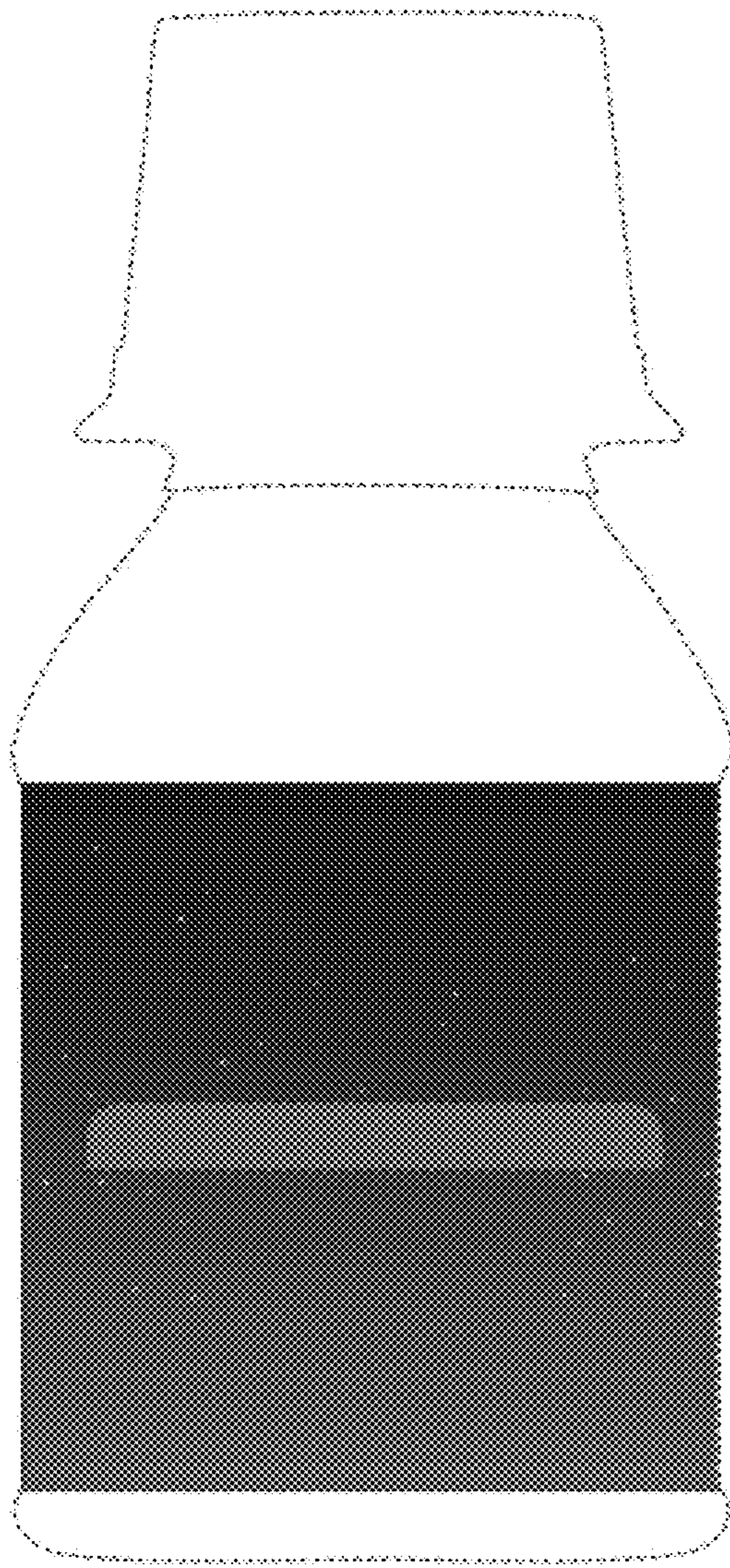


Fig. 30

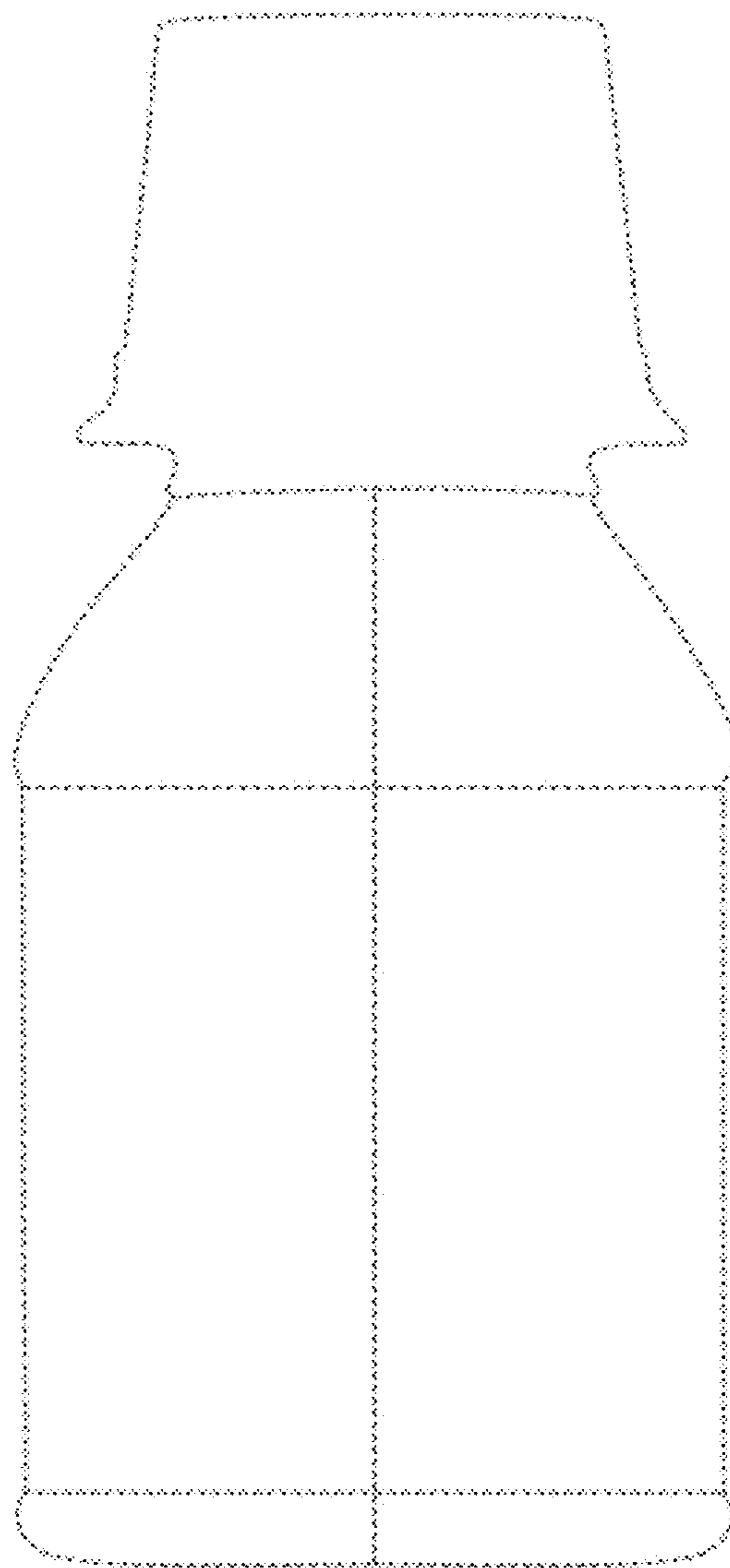


Fig. 31

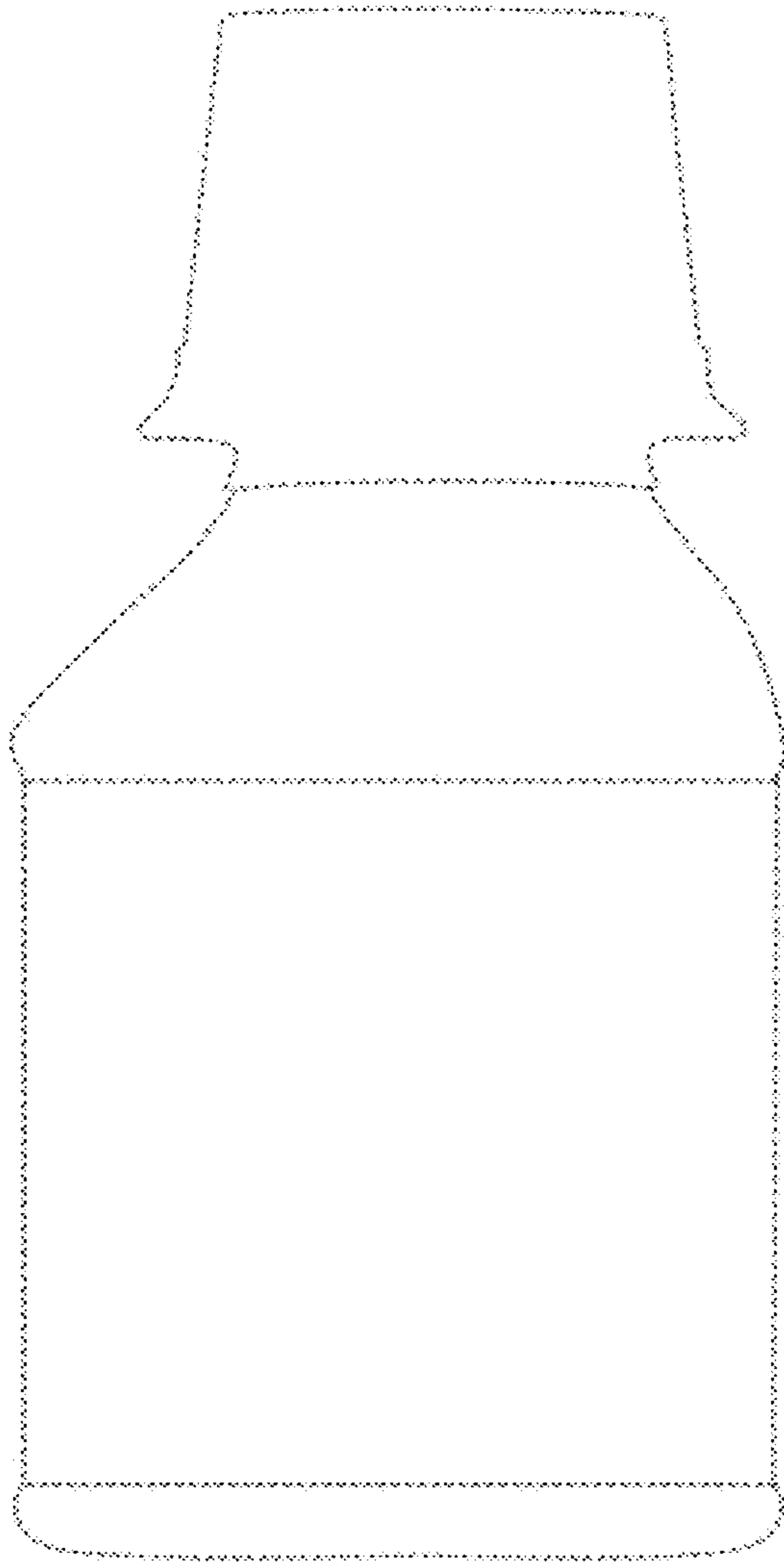


Fig. 32

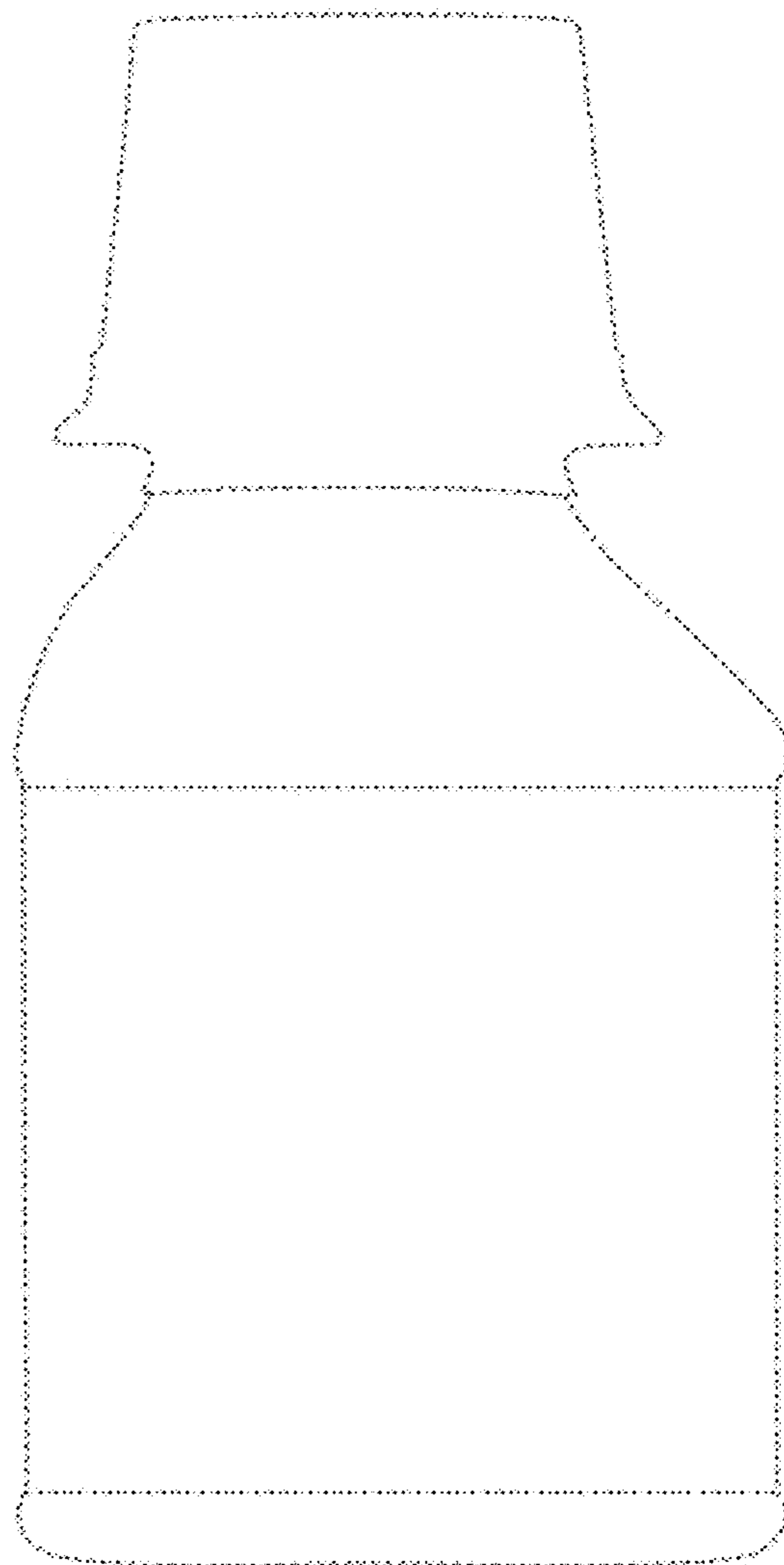


Fig. 33

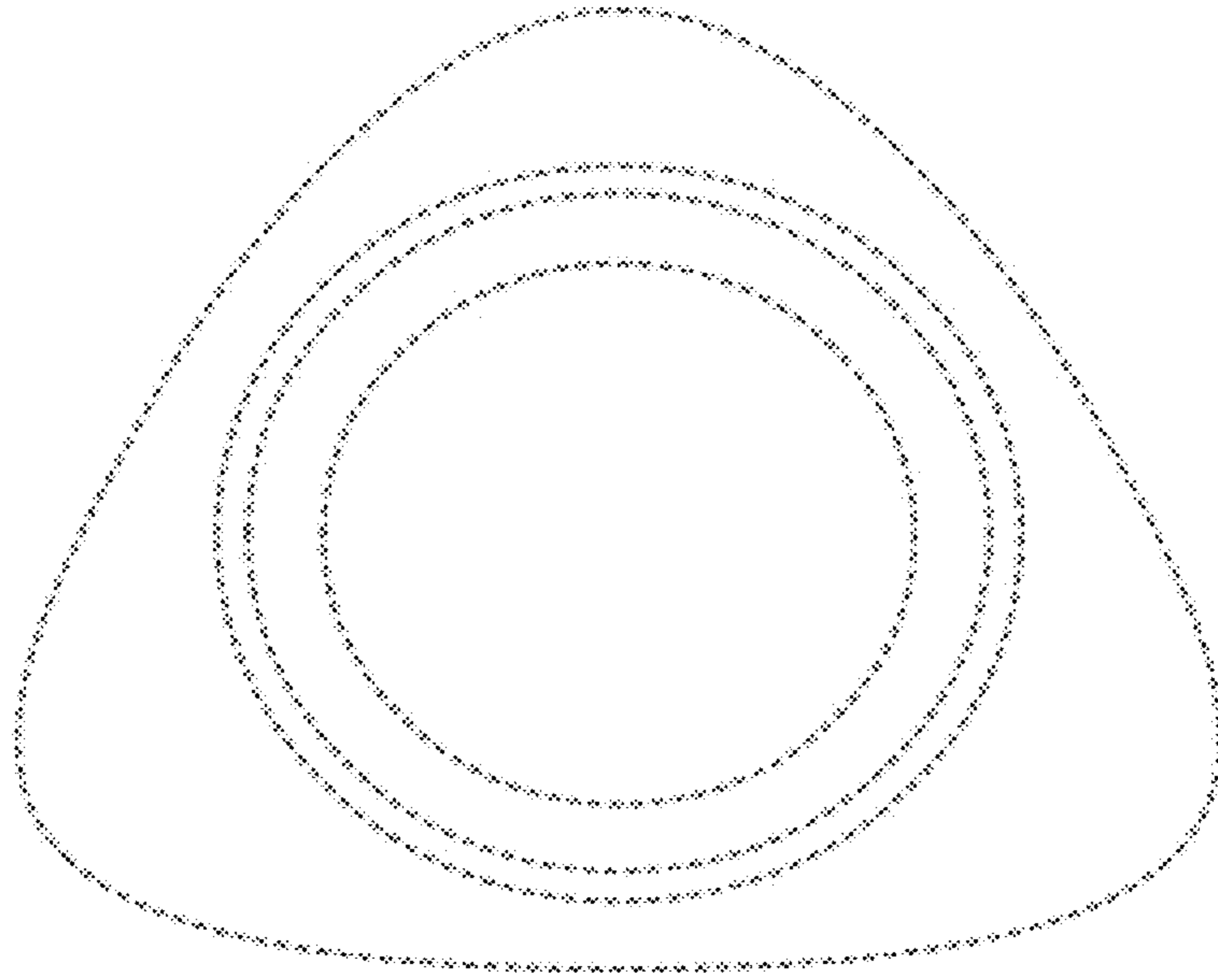


Fig. 34

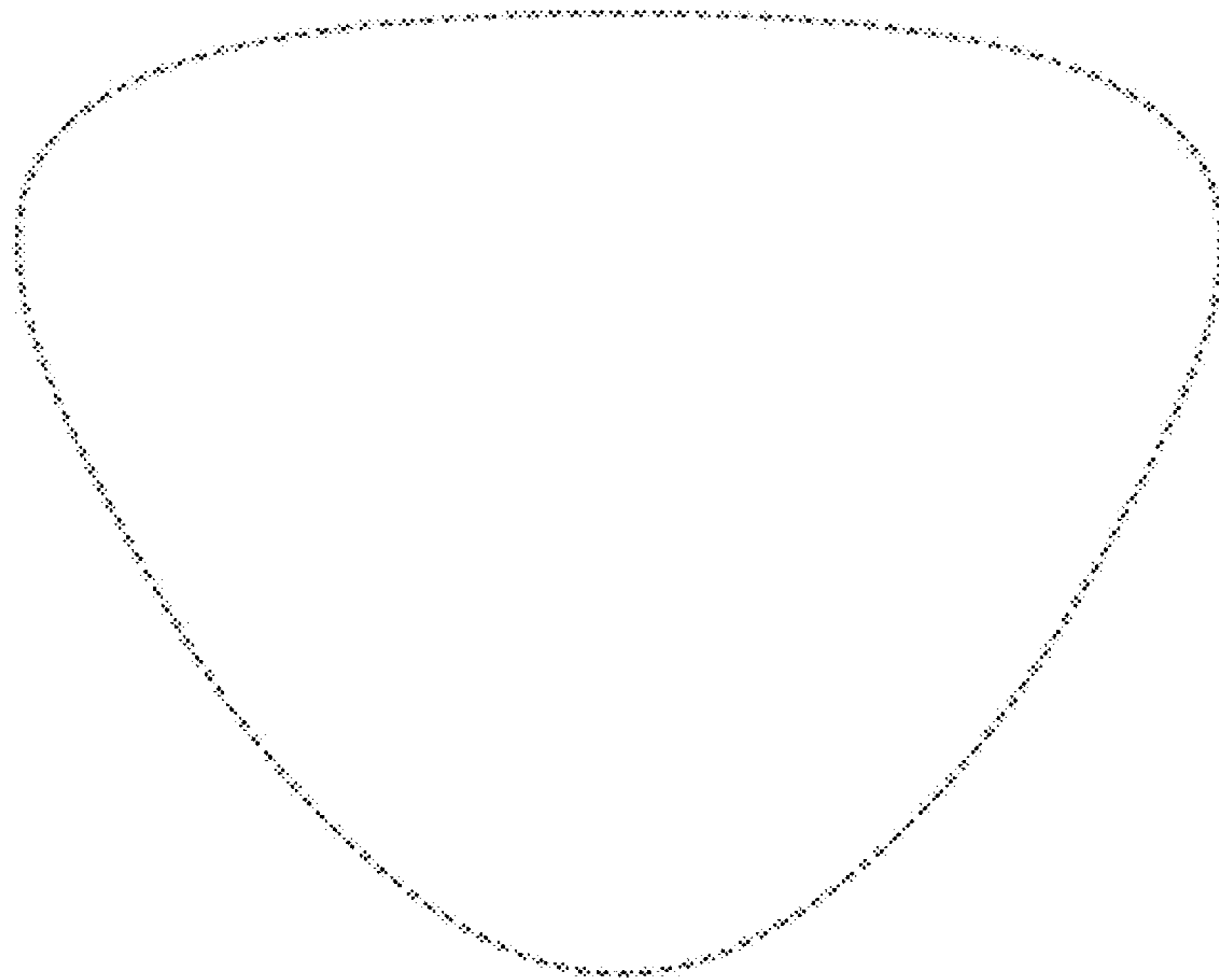


Fig. 35

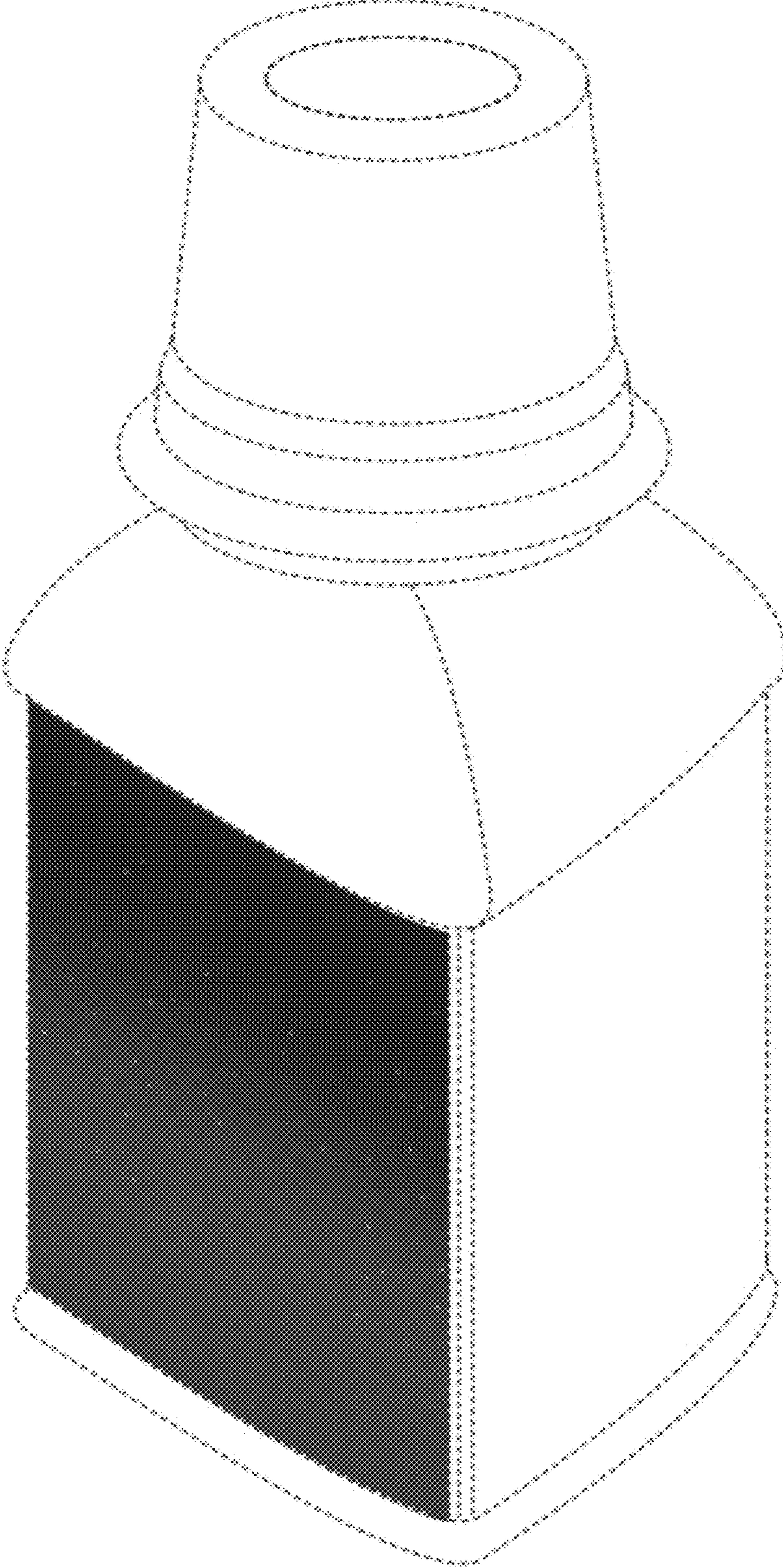


Fig. 36

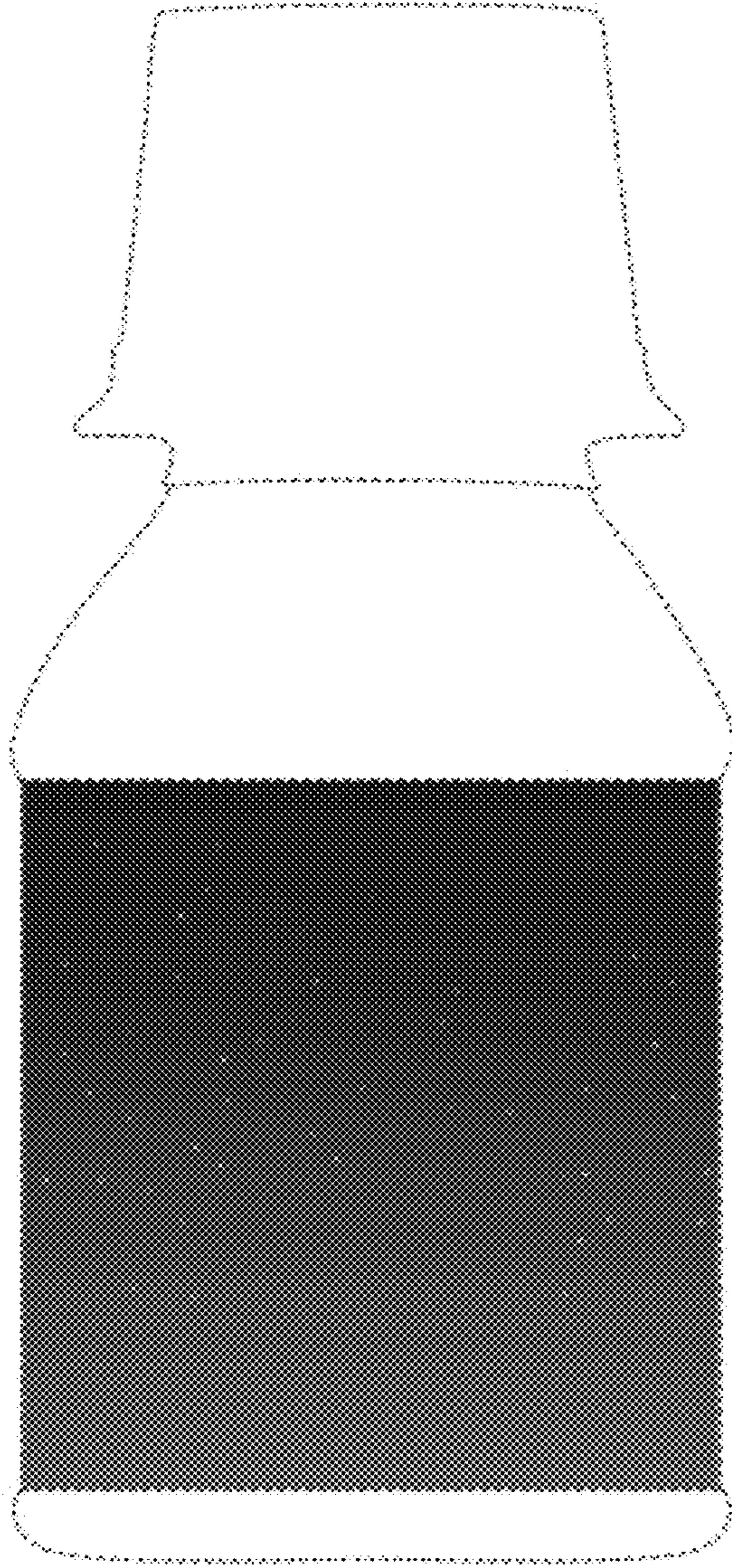


Fig. 37

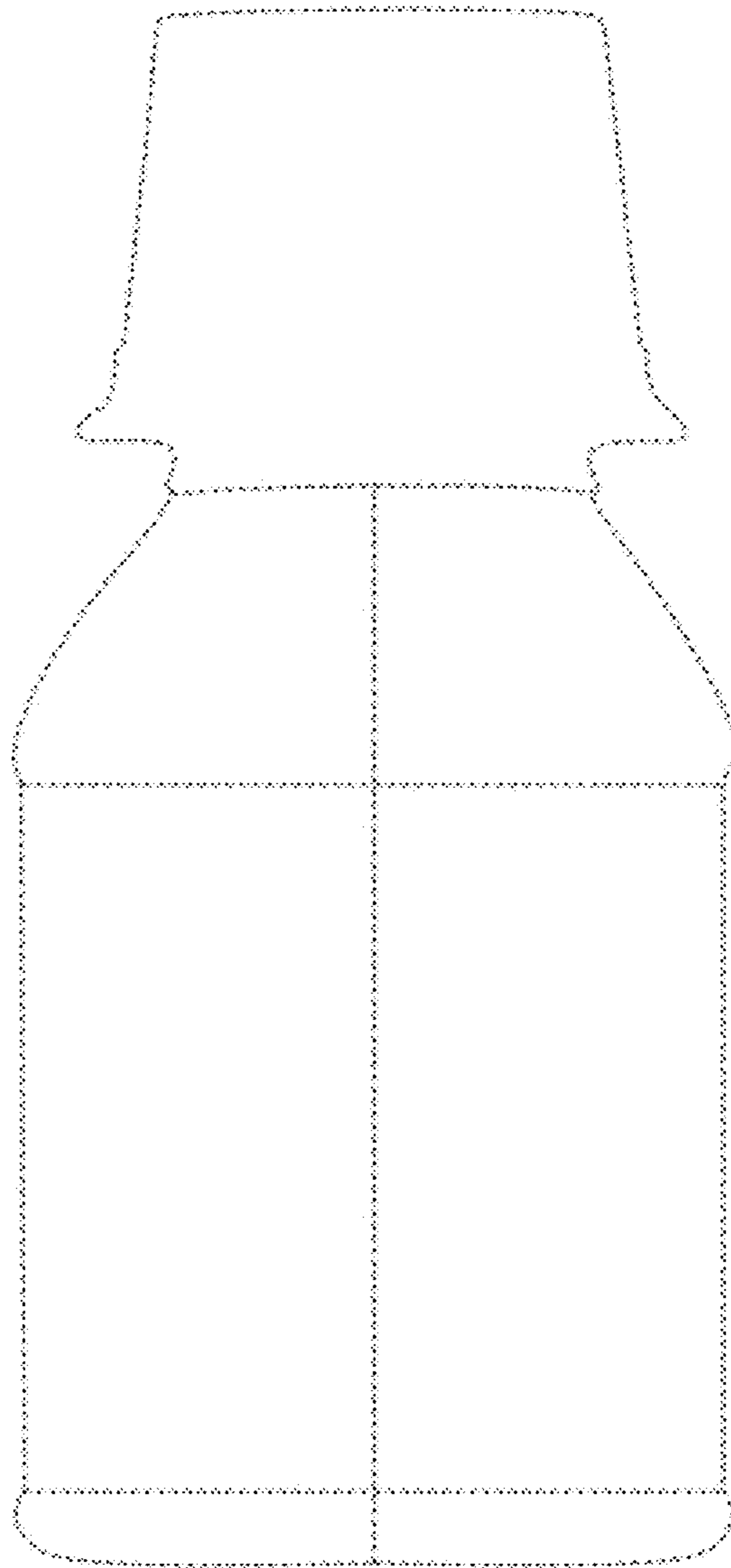


Fig. 38

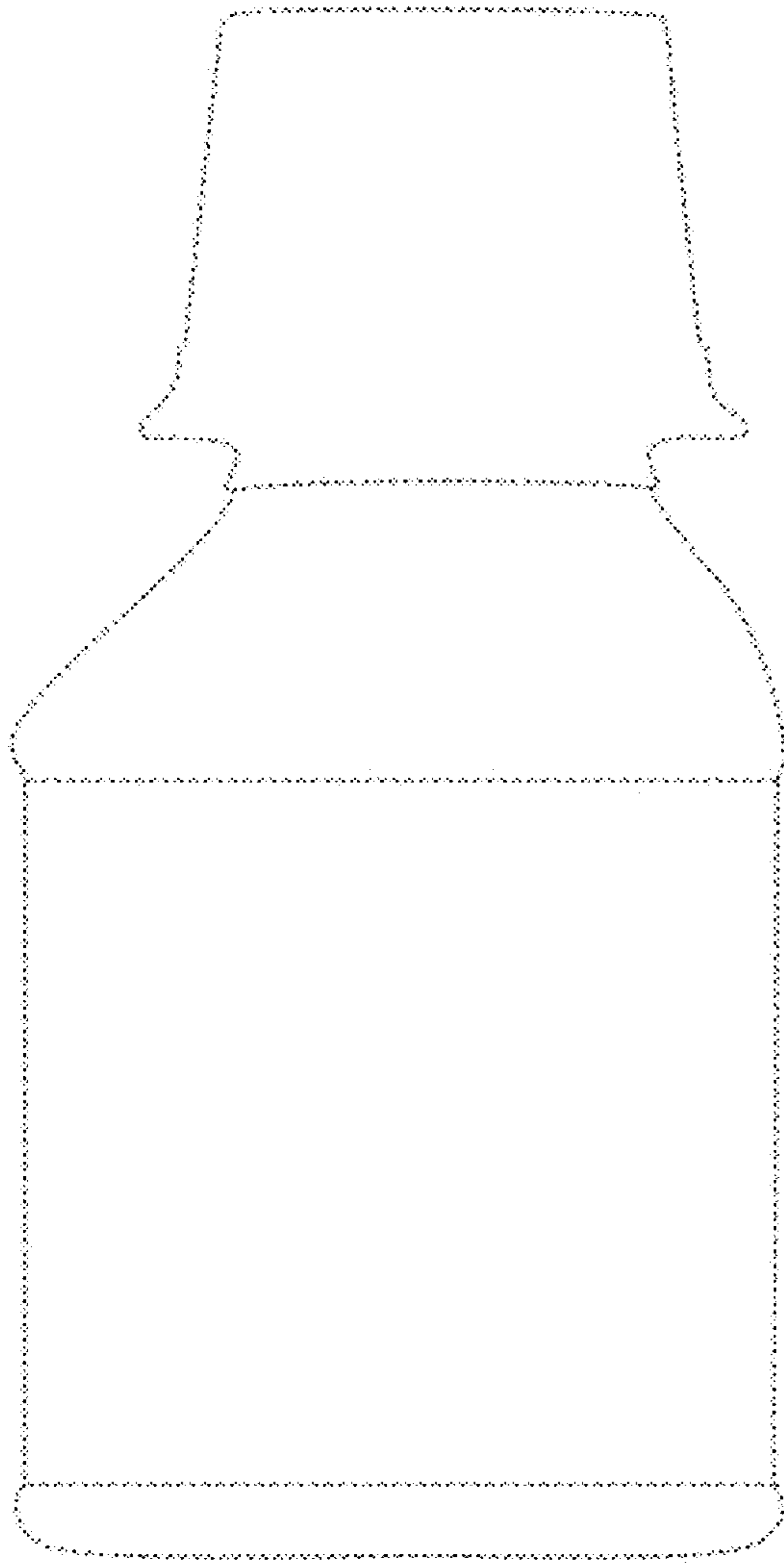


Fig. 39

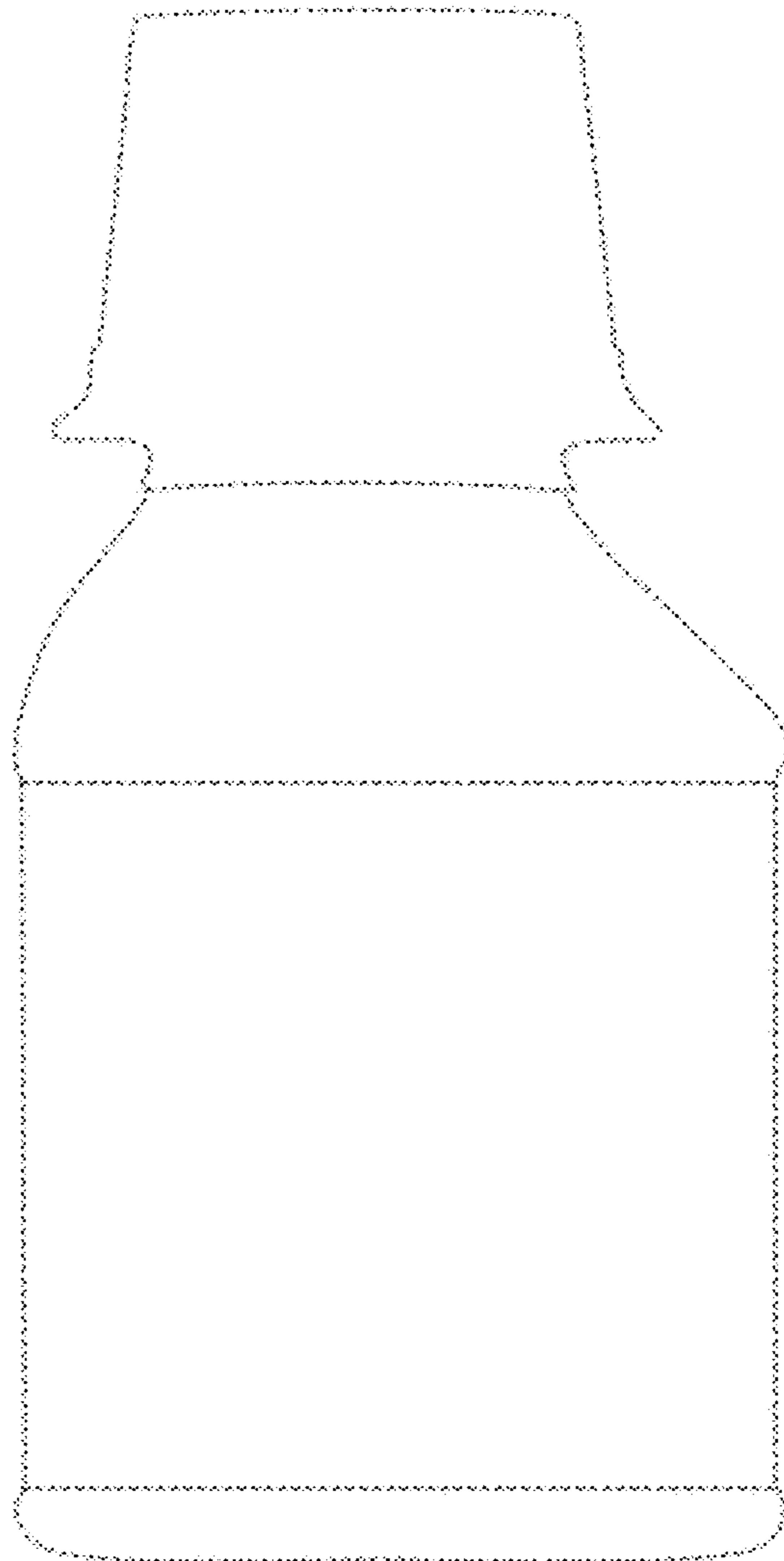


Fig. 40

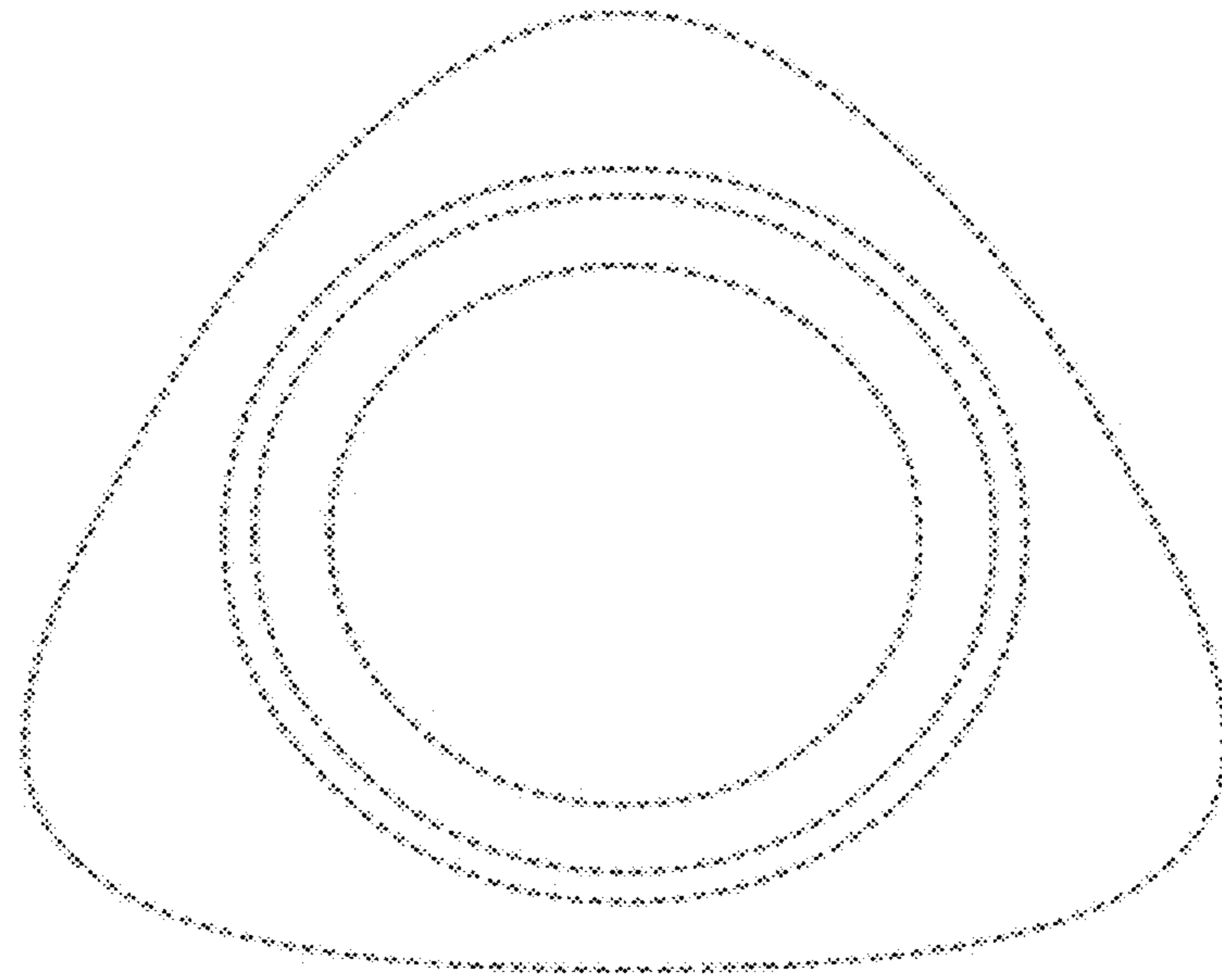


Fig. 41

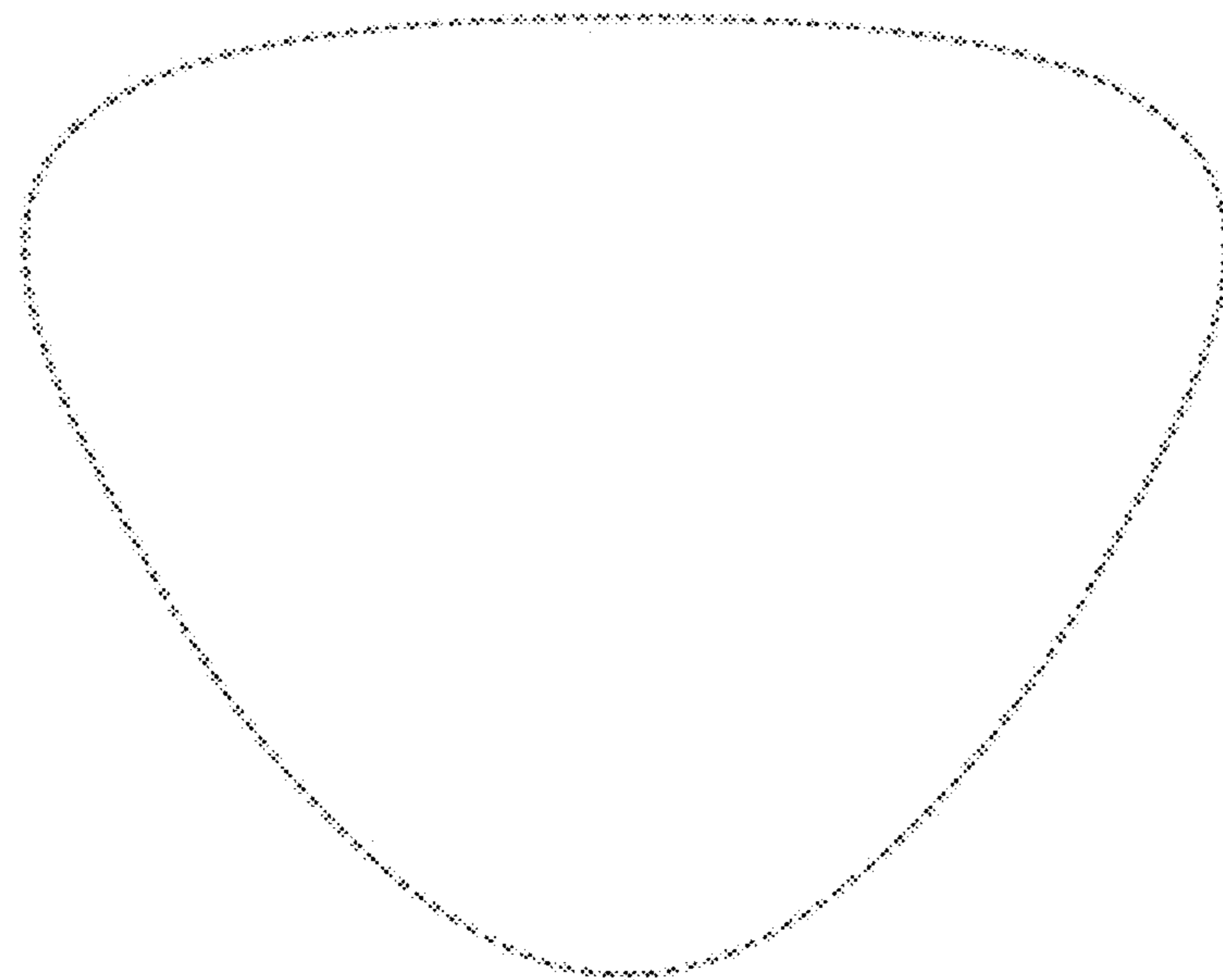


Fig. 42