



US00D677572S

(12) **United States Design Patent**
Papiernik

(10) **Patent No.:** **US D677,572 S**
(45) **Date of Patent:** **** Mar. 12, 2013**

(54) **PERFUME BOTTLE**

(75) Inventor: **Elie Papiernik**, Paris (FR)

(73) Assignee: **Cartier Creation Studio S.A.**, Geneva (CH)

(**) Term: **14 Years**

(21) Appl. No.: **29/373,619**

(22) Filed: **May 3, 2011**

(30) **Foreign Application Priority Data**

Nov. 3, 2010 (WO) DM/075 296

(51) **LOC (9) Cl.** **09-01**

(52) **U.S. Cl.** **D9/529; D9/552; D9/571; D9/420;**
D9/435; D9/449

(58) **Field of Classification Search** D9/682,
D9/686, 690, 516, 52, 530, 539-540, 542-543,
D9/544, 549, 552, 558, 571, 574-575, 435,
D9/439, 443; 215/382-384; 220/660, 669,
220/675

See application file for complete search history.

(56) **References Cited**

U.S. PATENT DOCUMENTS

D99,649 S * 5/1936 Mulhens D9/542
D280,077 S * 8/1985 Lemaire D9/529 X
4,615,451 A * 10/1986 Rebhan 215/398
D288,780 S * 3/1987 Miller D9/718
4,676,408 A * 6/1987 Speitel 222/183
D304,549 S * 11/1989 Desgrippes D9/529
D309,860 S * 8/1990 Fossati D9/687
D351,105 S * 10/1994 Grip D9/529

D352,662 S * 11/1994 McIlvain D9/521 X
D353,332 S * 12/1994 Behm et al. D9/529
D362,626 S * 9/1995 Rossi D9/543 X
D367,605 S * 3/1996 Moore D9/686
D374,817 S * 10/1996 Bertolini et al. D9/687 X
D382,206 S * 8/1997 Worthington et al. D9/529
D480,003 S * 9/2003 Blades D9/571 X
D558,528 S * 1/2008 Hauser D9/575 X
D569,254 S * 5/2008 Moretti D9/558 X
D573,474 S * 7/2008 Beam et al. D9/529
D590,264 S * 4/2009 Schwartz et al. D9/529
D592,961 S * 5/2009 Short et al. D9/530 X
D599,670 S * 9/2009 Qin D9/686 X
D614,497 S * 4/2010 Pola D9/529 X
D616,753 S * 6/2010 Beam et al. D9/449 X
D639,667 S * 6/2011 Bogert et al. D9/544

* cited by examiner

Primary Examiner — Carol P Rademaker

(74) *Attorney, Agent, or Firm* — Clifford W. Browning;
Krieg DeVault LLP

(57) **CLAIM**

The ornamental design for a perfume bottle, as shown and described.

DESCRIPTION

FIG. 1 is a right side view of the perfume bottle of the present invention.

FIG. 2 is a left side view of the perfume bottle of FIG. 1.

FIG. 3 is a top view of the perfume bottle of FIG. 2.

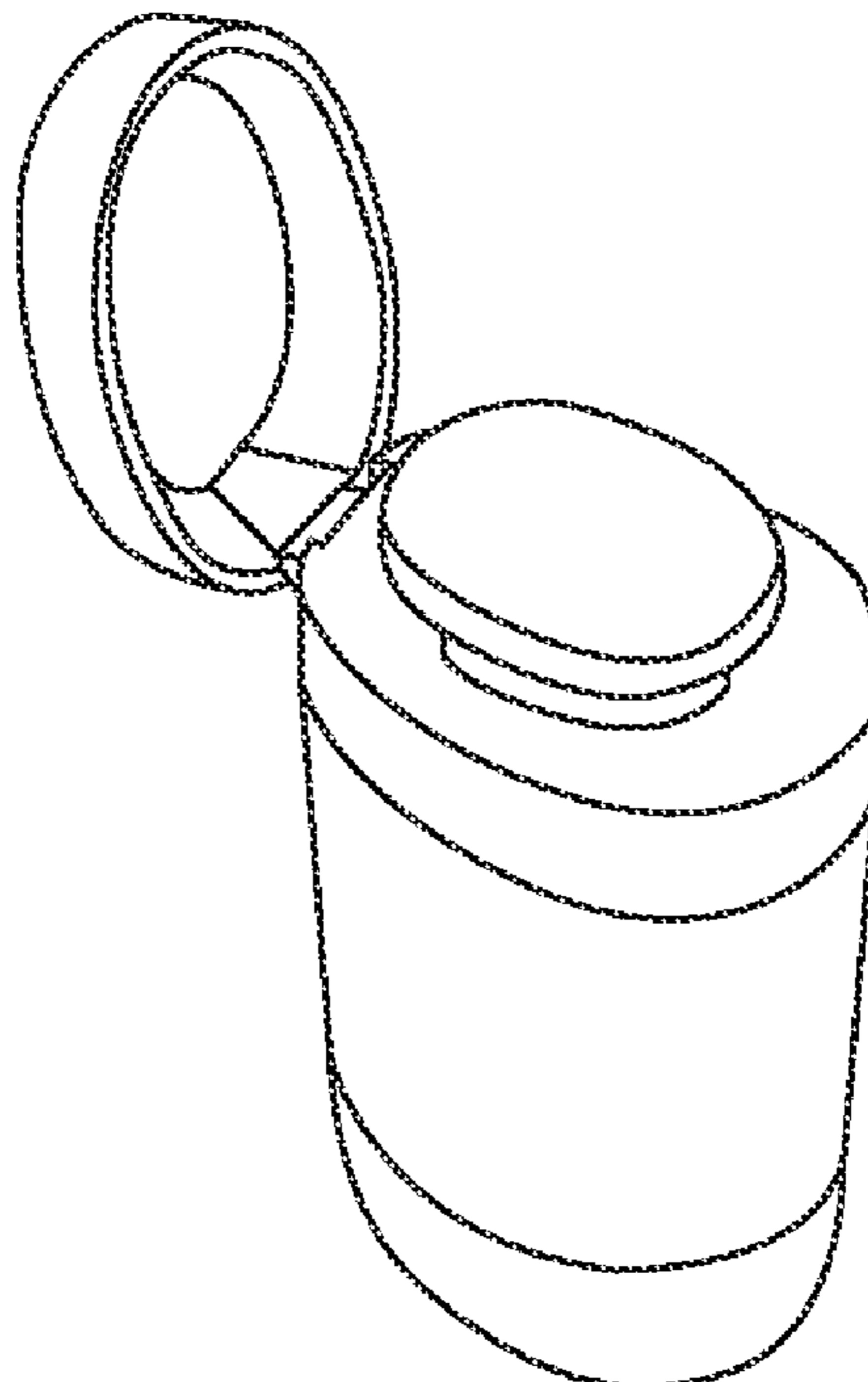
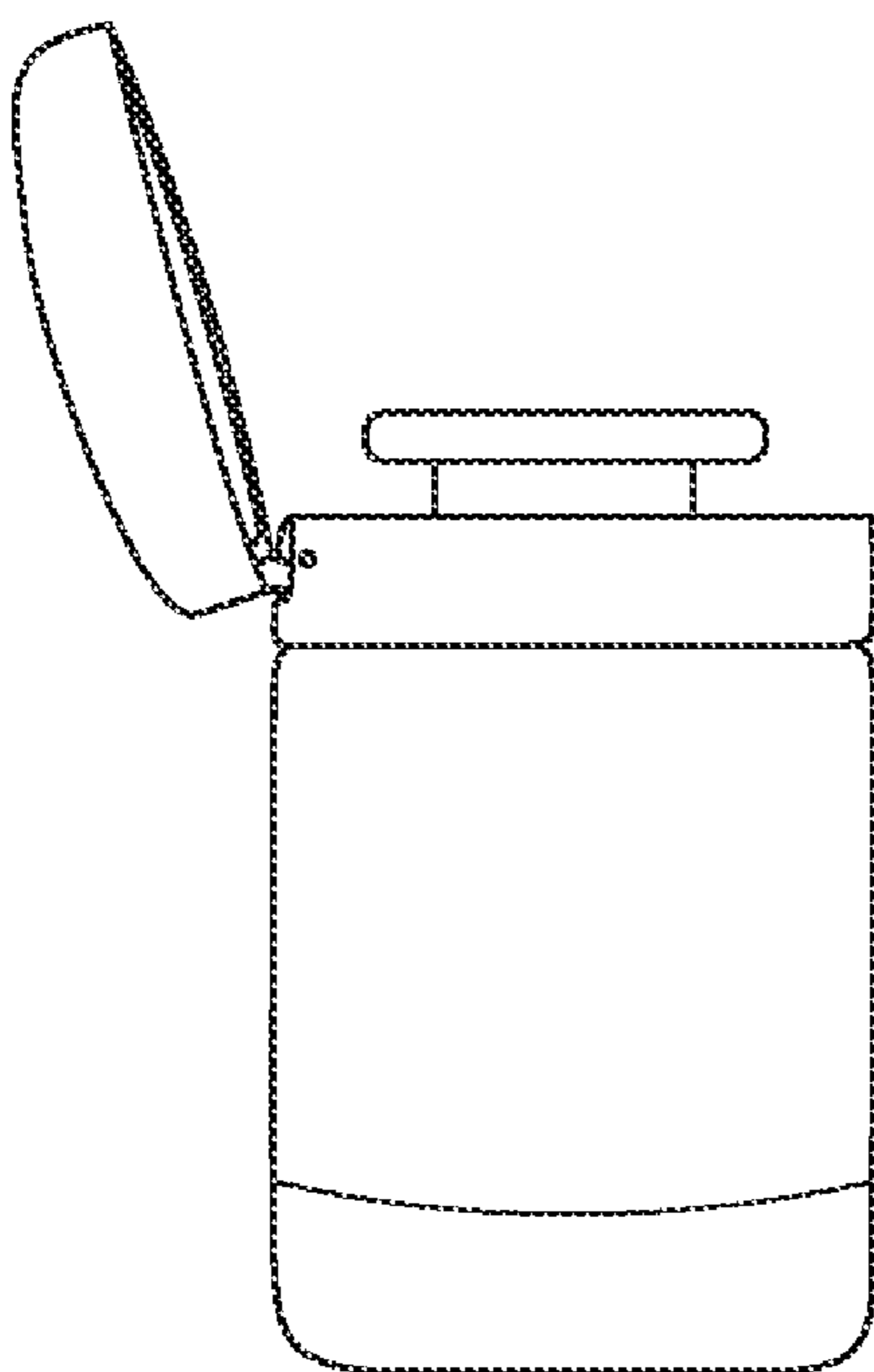
FIG. 4 is a bottom view of the perfume bottle of FIG. 2.

FIG. 5 is a front view of the perfume bottle of FIG. 1.

FIG. 6 is a back view of the perfume bottle of FIG. 1; and,

FIG. 7 is a perspective view of the perfume bottle of FIG. 1.

1 Claim, 1 Drawing Sheet



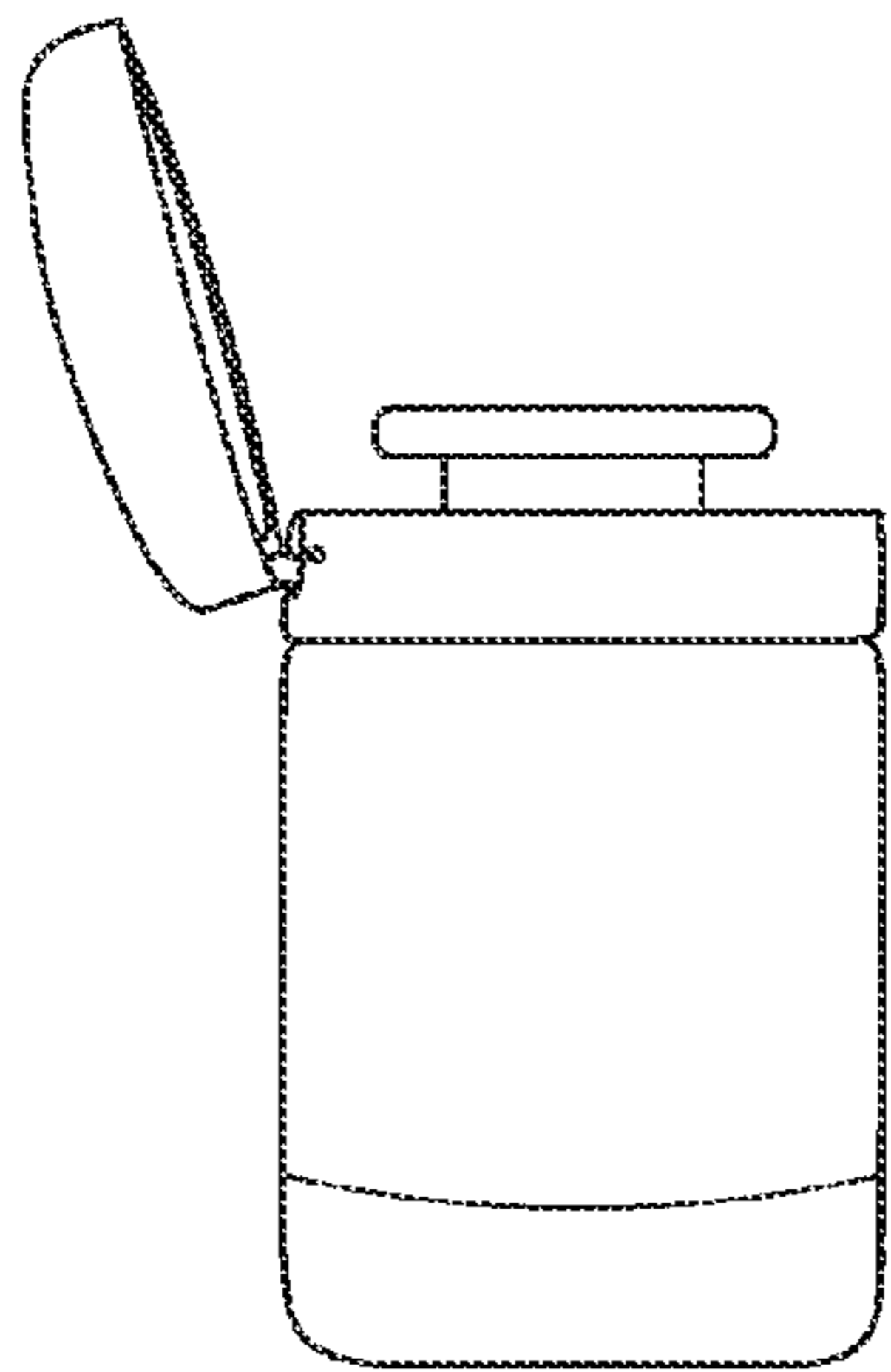


Fig. 1

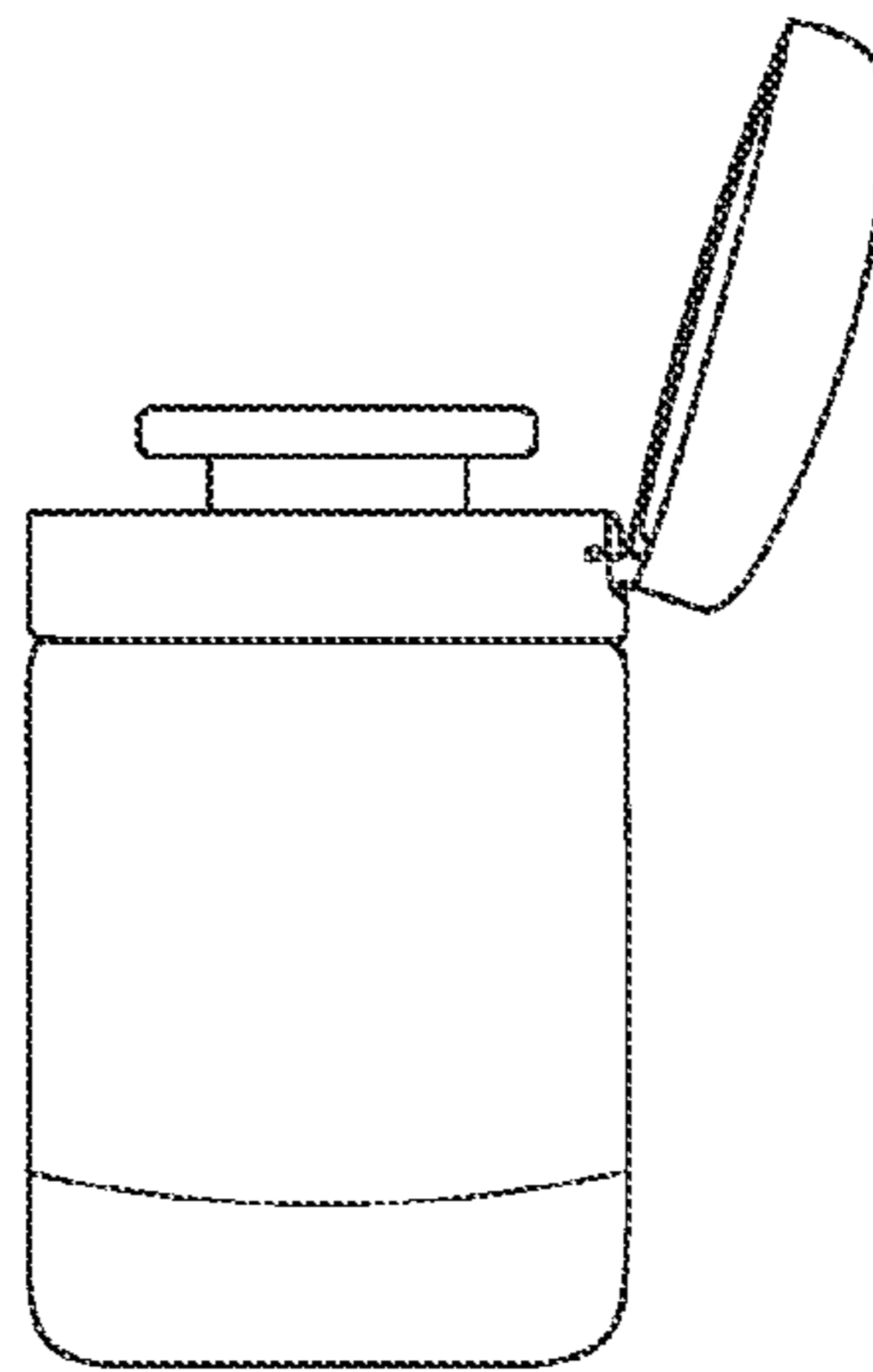


Fig. 2

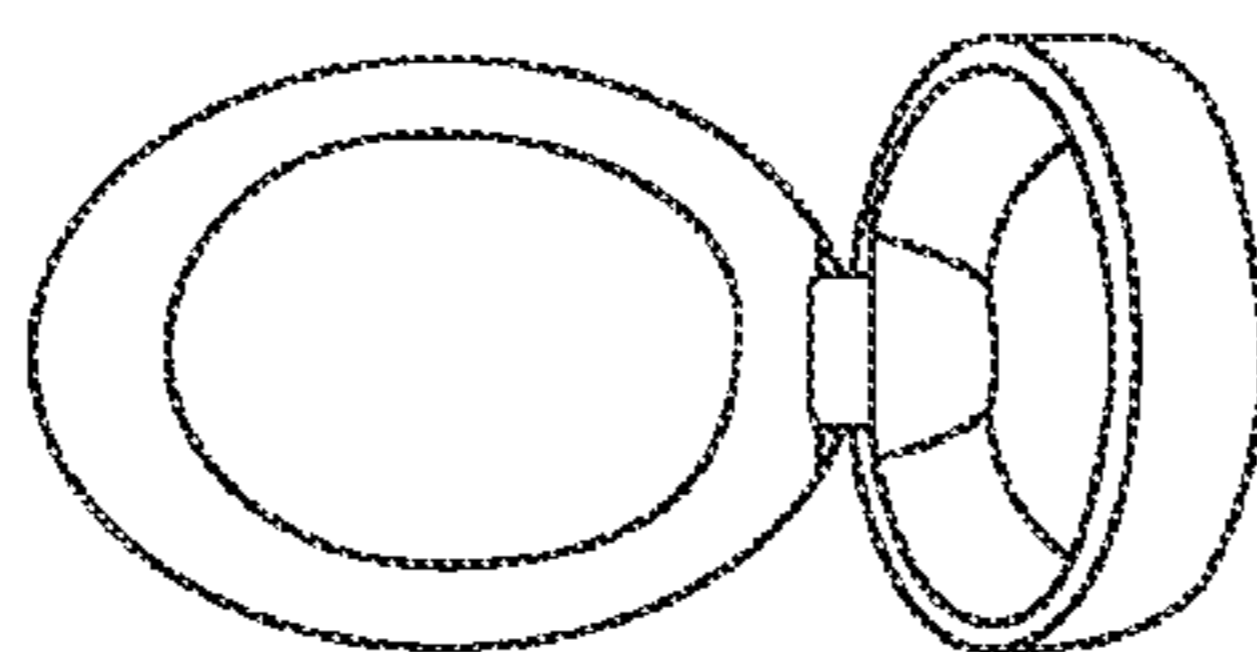


Fig. 3

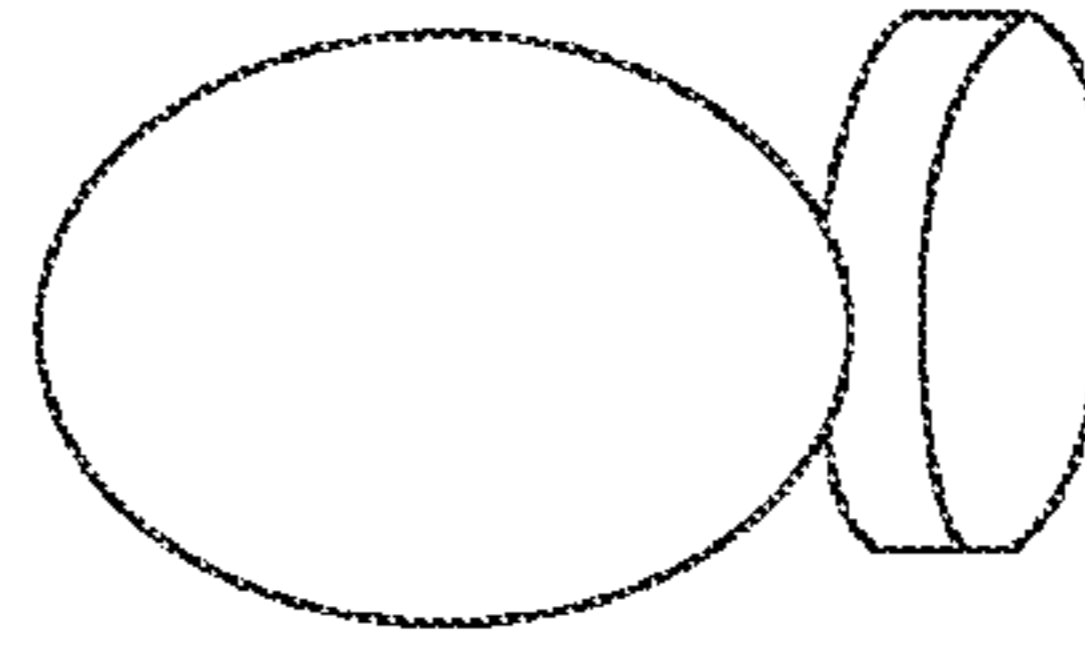


Fig. 4

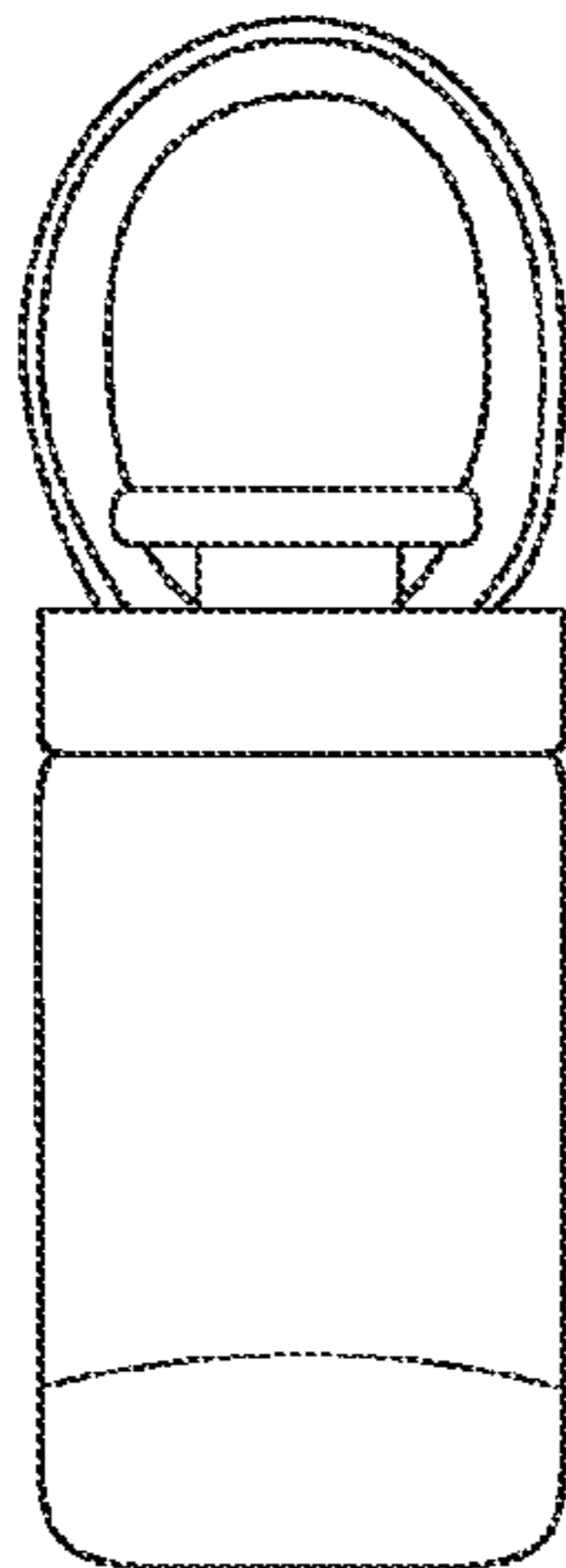


Fig. 5

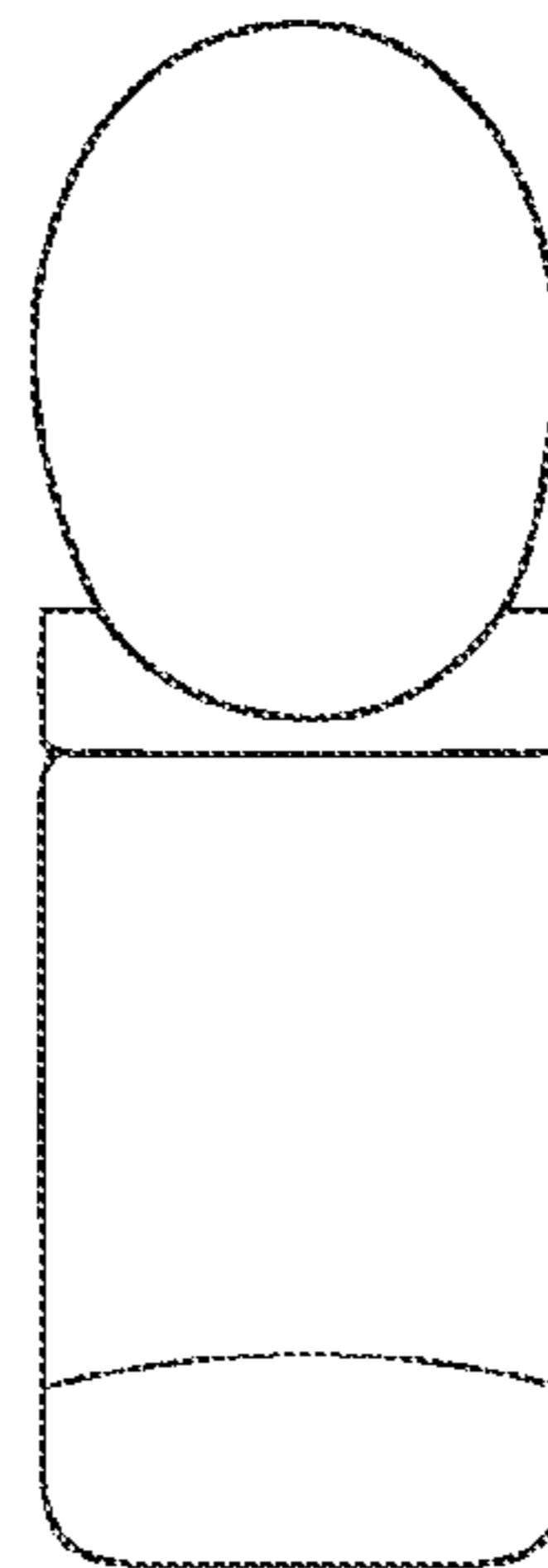


Fig. 6

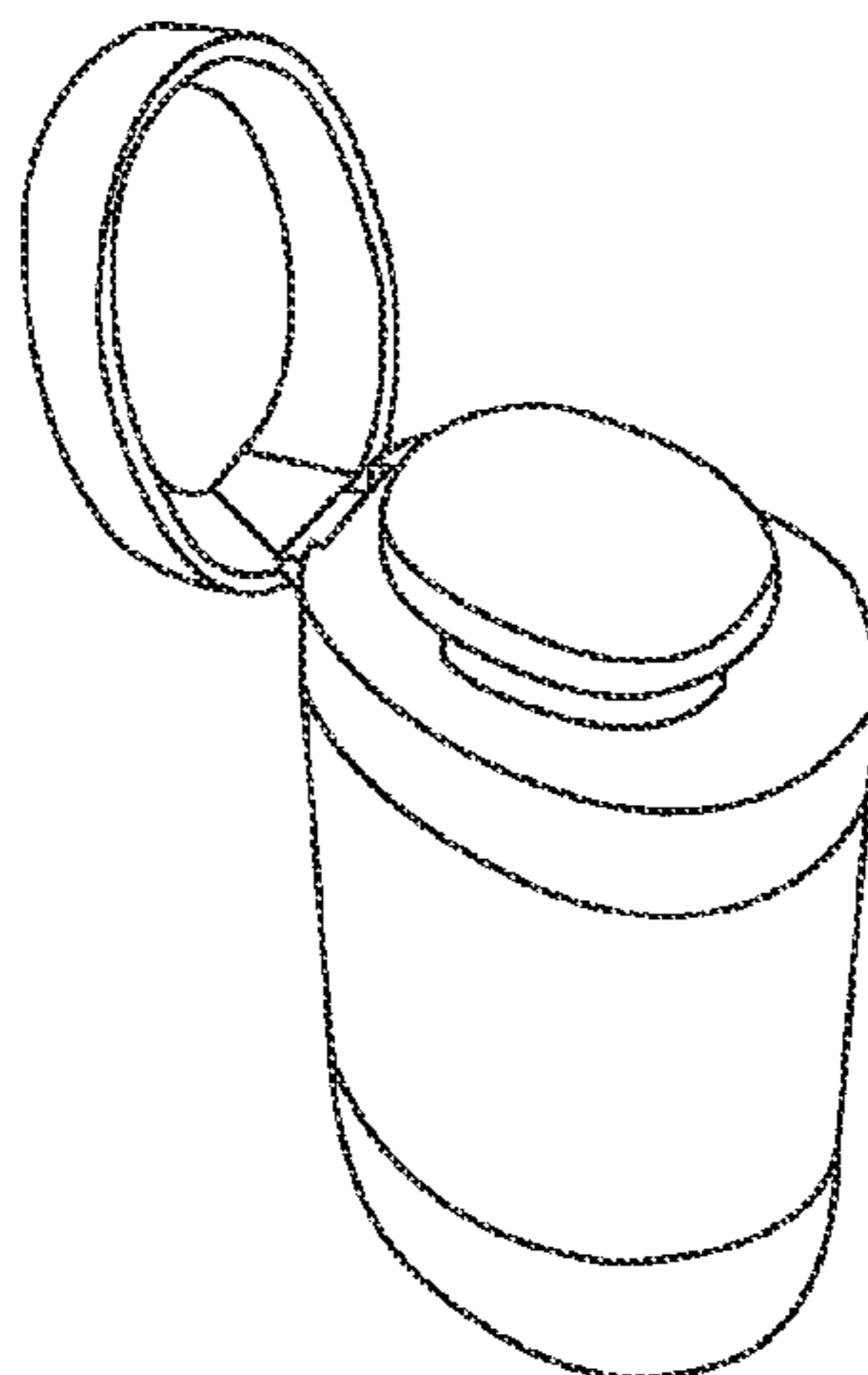


Fig. 7