



US00D677568S

(12) **United States Design Patent**
Sina

(10) **Patent No.:** **US D677,568 S**
(45) **Date of Patent:** **** Mar. 12, 2013**

(54) **LID FOR CONTAINER**

(75) Inventor: **Christopher L. Sina**, Neenah, WI (US)

(73) Assignee: **Reynolds Presto Products Inc.**,
Richmond, VA (US)

(**) Term: **14 Years**

(21) Appl. No.: **29/402,290**

(22) Filed: **Sep. 22, 2011**

(51) **LOC (9) Cl.** **09-07**

(52) **U.S. Cl.** **D9/451; D7/382.1**

(58) **Field of Classification Search** D9/600,
D9/629, 653, 667, 669, 414, 424-433, 435,
D9/445, 454, 451, 453; 206/494, 457, 527,
206/540; 215/400; 220/890; 229/116.1,
229/125.36; D7/586, 604, 392.1

See application file for complete search history.

(56) **References Cited**

U.S. PATENT DOCUMENTS

D292,676 S *	11/1987	Mileto	D9/454
4,951,832 A	8/1990	Tenney et al.		
D330,148 S	10/1992	Pinkston		
D465,382 S *	11/2002	Wolf et al.	D7/392.1
D467,497 S	12/2002	Liu et al.		
D485,468 S *	1/2004	Roth et al.	D7/392.1
D494,064 S *	8/2004	Hook	D9/445
D494,065 S *	8/2004	Hook	D9/445
D502,060 S	2/2005	Dais et al.		
D505,839 S	6/2005	Stanos et al.		
D505,840 S	6/2005	Schultz et al.		
D512,278 S	12/2005	Schultz et al.		
D516,859 S	3/2006	Zettle et al.		
D555,477 S *	11/2007	Mayers	D9/451
7,451,875 B1	11/2008	Norris		
D585,699 S *	2/2009	Furlong	D7/392.1
D603,261 S *	11/2009	Arnell et al.	D9/453
D615,349 S *	5/2010	Furlong	D7/392.1
2003/0015450 A1	1/2003	Ferretti et al.		
2005/0224506 A1	10/2005	Withers		
2009/0120897 A1	5/2009	Armenti		

FOREIGN PATENT DOCUMENTS

DE	100 41 826 A1	3/2002
EP	2 147 767 A1	1/2010
GB	2 434 736 A	8/2007
JP	52-142022	10/1977

OTHER PUBLICATIONS

“Anchor Hocking Full Food Storage Line Set,” *The Weekly Home Furnishings Newspaper*, p. 68 (Jun. 7, 1993).

“Ad Drive to Lift Rubbermaid’s EZ Topp Line,” *The Weekly Home Furnishings Newspaper*, p. 75 (Sep. 26, 1994).

“Rubbermaid offers Lunch Break,” *The Weekly Newspaper for the Home Furnishing Network*, vol. 70, No. 3, p. 78(1) (Jan. 15, 1996).

Clark, G., “New products come and go, but some stand up better than others. The Good Housekeeping Institute has selected this year’s best products,” *St. Louis Post Dispatch*, Monday Memo, Business Plus Section, p. 4 (Dec. 25, 1995).

* cited by examiner

Primary Examiner — Sandra Morris

(74) *Attorney, Agent, or Firm* — Merchant & Gould P.C.

(57) **CLAIM**

The ornamental design for lid for container, as shown and described.

DESCRIPTION

FIG. 1 is a perspective view of a first embodiment of a plastic lid for use with container;

FIG. 2 is a top view of FIG. 1;

FIG. 3 is a bottom view of FIG. 1;

FIG. 4 is a front view of FIG. 1;

FIG. 5 is a rear view of FIG. 1;

FIG. 6 is a right side view of FIG. 1; and

FIG. 7 is a left side view of FIG. 1;

FIG. 8 is a perspective view of a second embodiment of a plastic lid for use with a container;

FIG. 9 is a top view of FIG. 8;

FIG. 10 is a bottom view of FIG. 8;

FIG. 11 is a front view of FIG. 8;

FIG. 12 is a rear view of FIG. 8;

FIG. 13 is a right side view of FIG. 8; and

FIG. 14 is a left side view of FIG. 8;

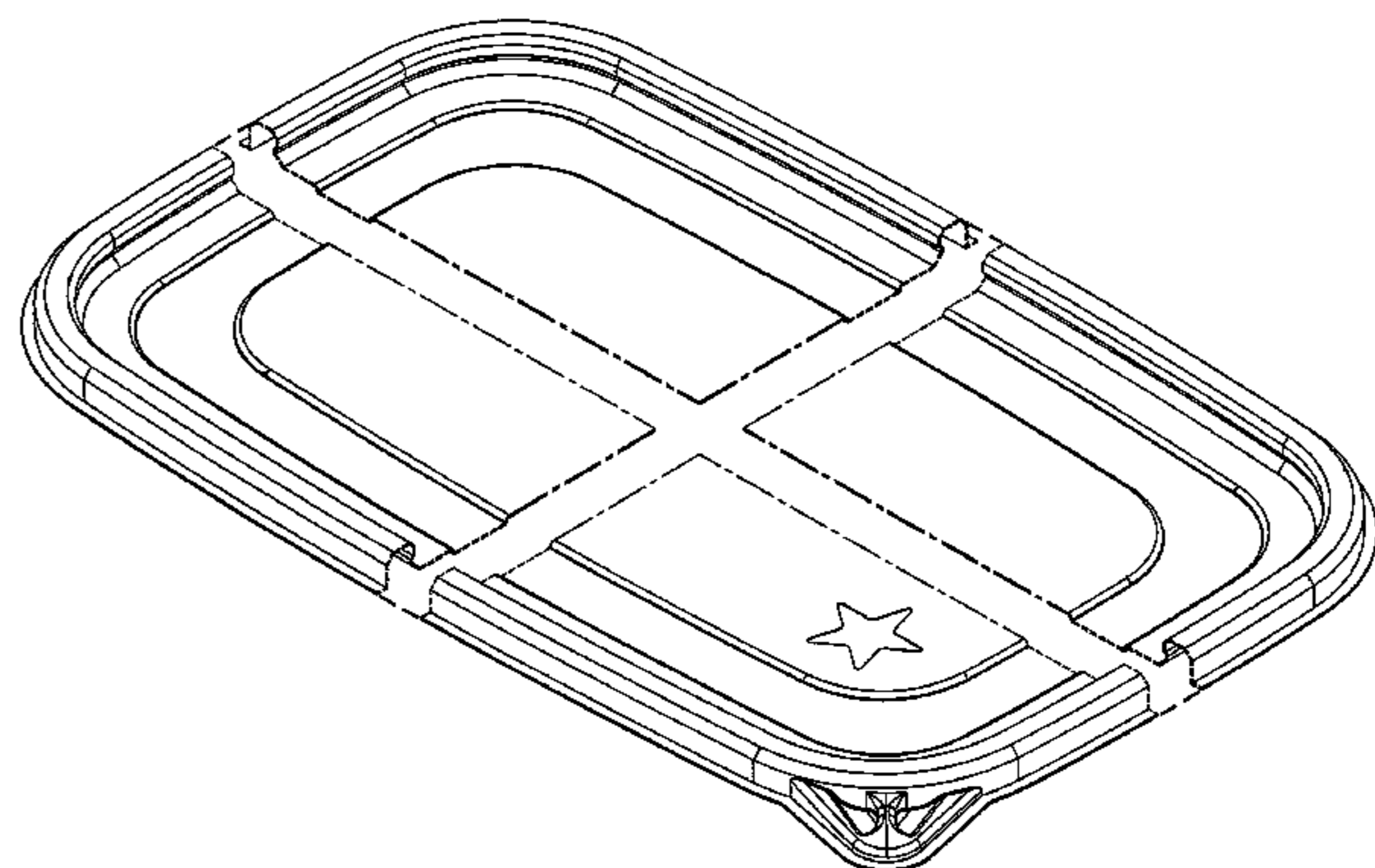
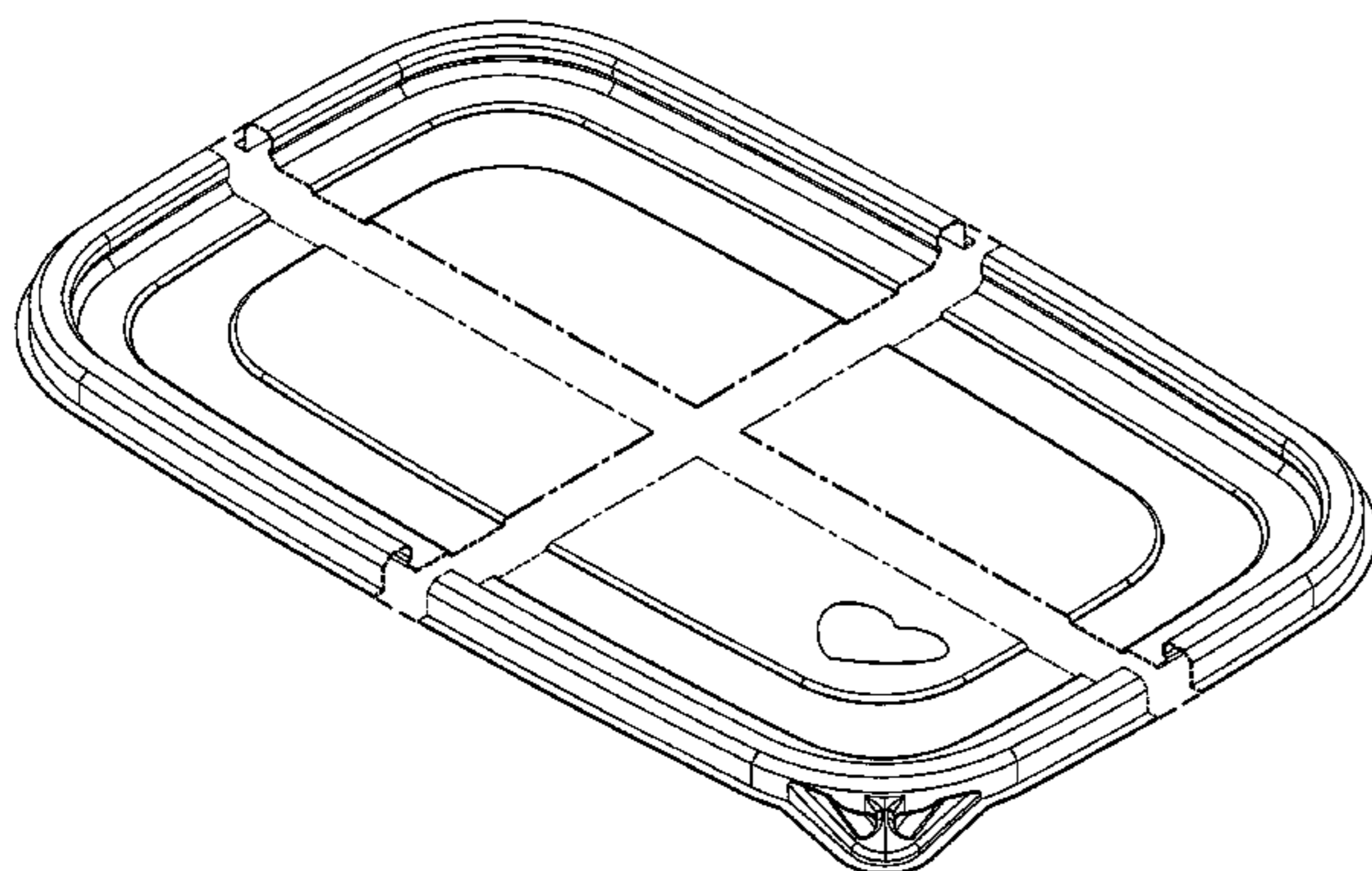


FIG. 15 is a perspective view of a third embodiment of a plastic lid for use with a container;
FIG. 16 is a top view of FIG. 15;
FIG. 17 is a bottom view of FIG. 15;
FIG. 18 is a front view of FIG. 15;
FIG. 19 is a rear view of FIG. 15;
FIG. 20 is a right side view of FIG. 15; and
FIG. 21 is a left side view of FIG. 15;
FIG. 22 is a perspective view of a fourth embodiment of a plastic lid for use with a container;
FIG. 23 is a top view of FIG. 22;
FIG. 24 is a bottom view of FIG. 22;
FIG. 25 is a front view of FIG. 22;
FIG. 26 is a rear view of FIG. 22;

FIG. 27 is a right side view of FIG. 22; and
FIG. 28 is a left side view of FIG. 22;
FIG. 29 is a perspective view of a fifth embodiment of a plastic lid for use with a container;
FIG. 30 is a top view of FIG. 29;
FIG. 31 is a bottom view of FIG. 29;
FIG. 32 is a front view of FIG. 29;
FIG. 33 is a rear view of FIG. 29;
FIG. 34 is a right side view of FIG. 29; and,
FIG. 35 is a left side view of FIG. 29.
The broken lines in the drawing views are included for the purpose of illustrating portions that form no part of the claimed design.

1 Claim, 20 Drawing Sheets

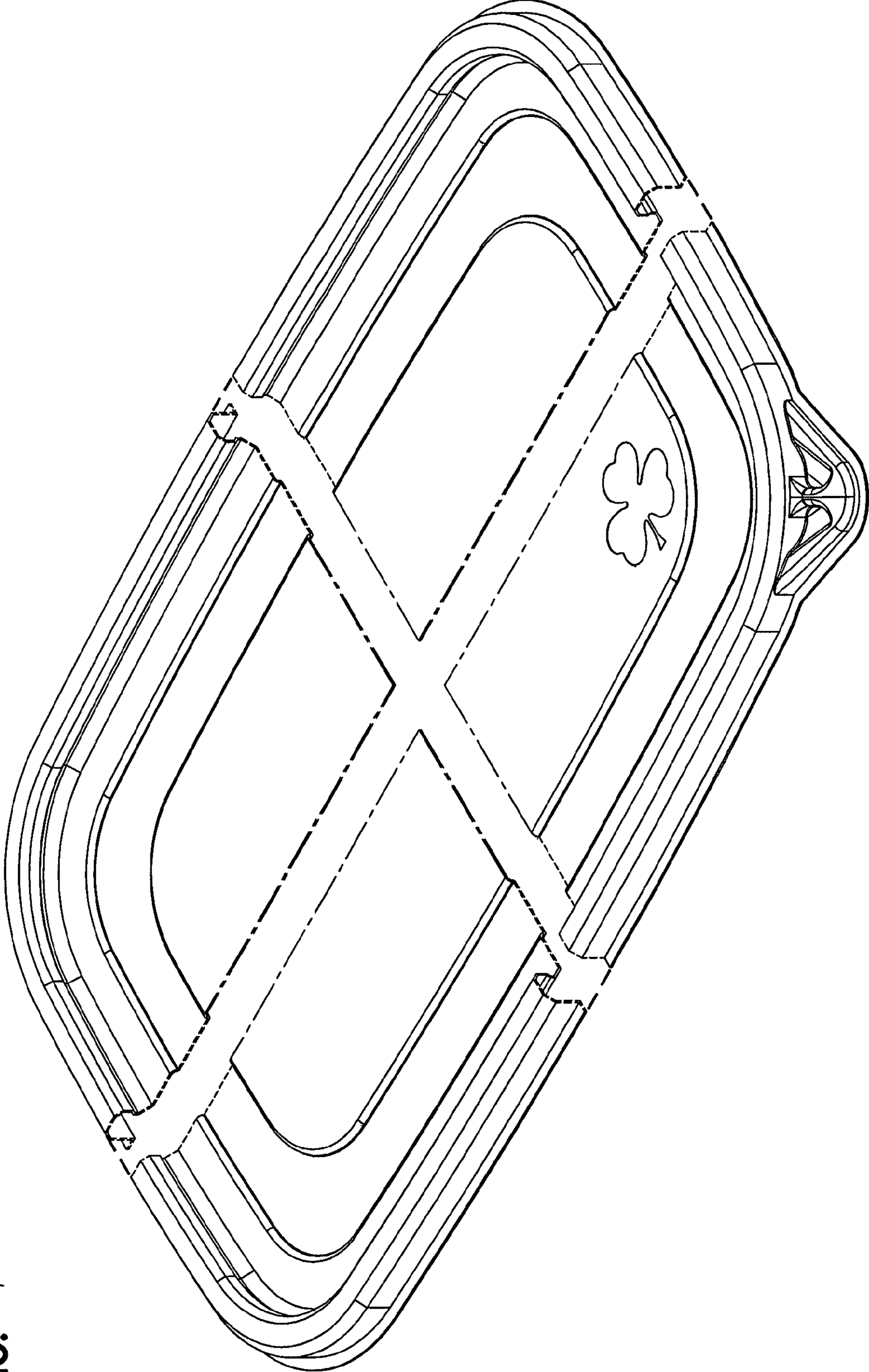


FIG. 1

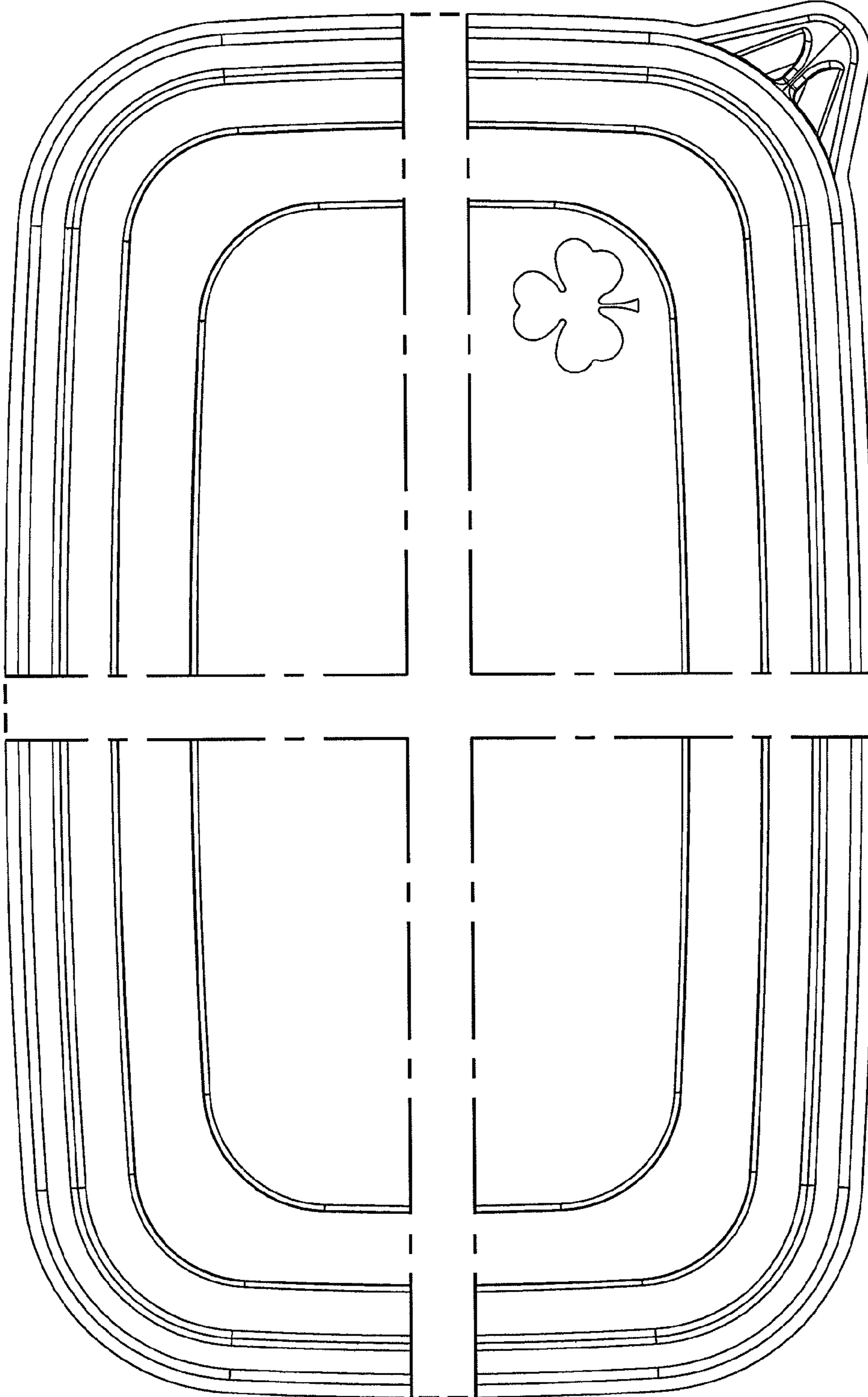


FIG. 2

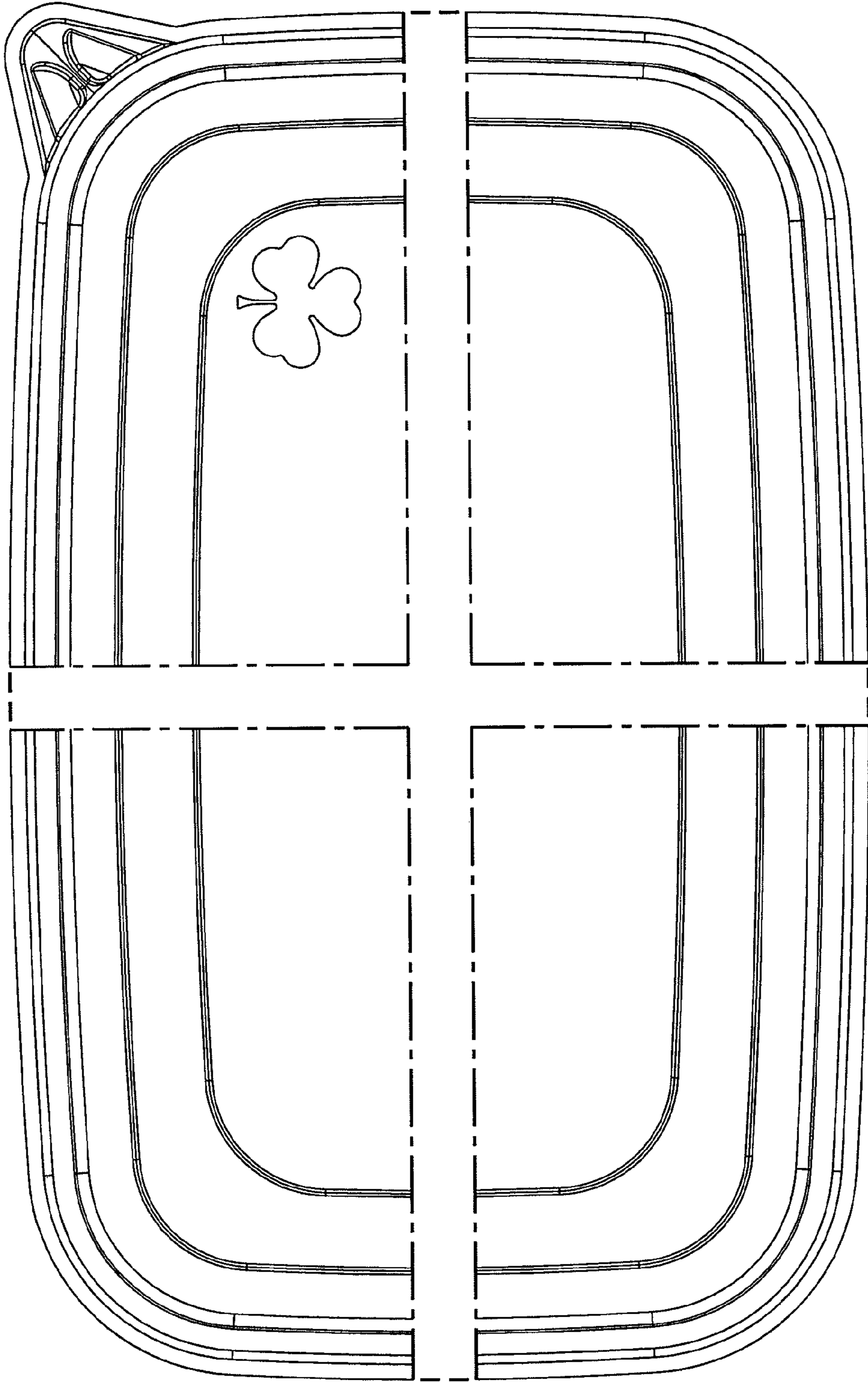


FIG. 3

FIG. 4

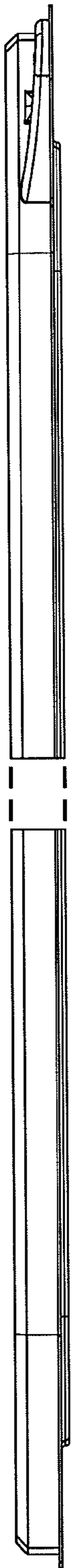


FIG. 5



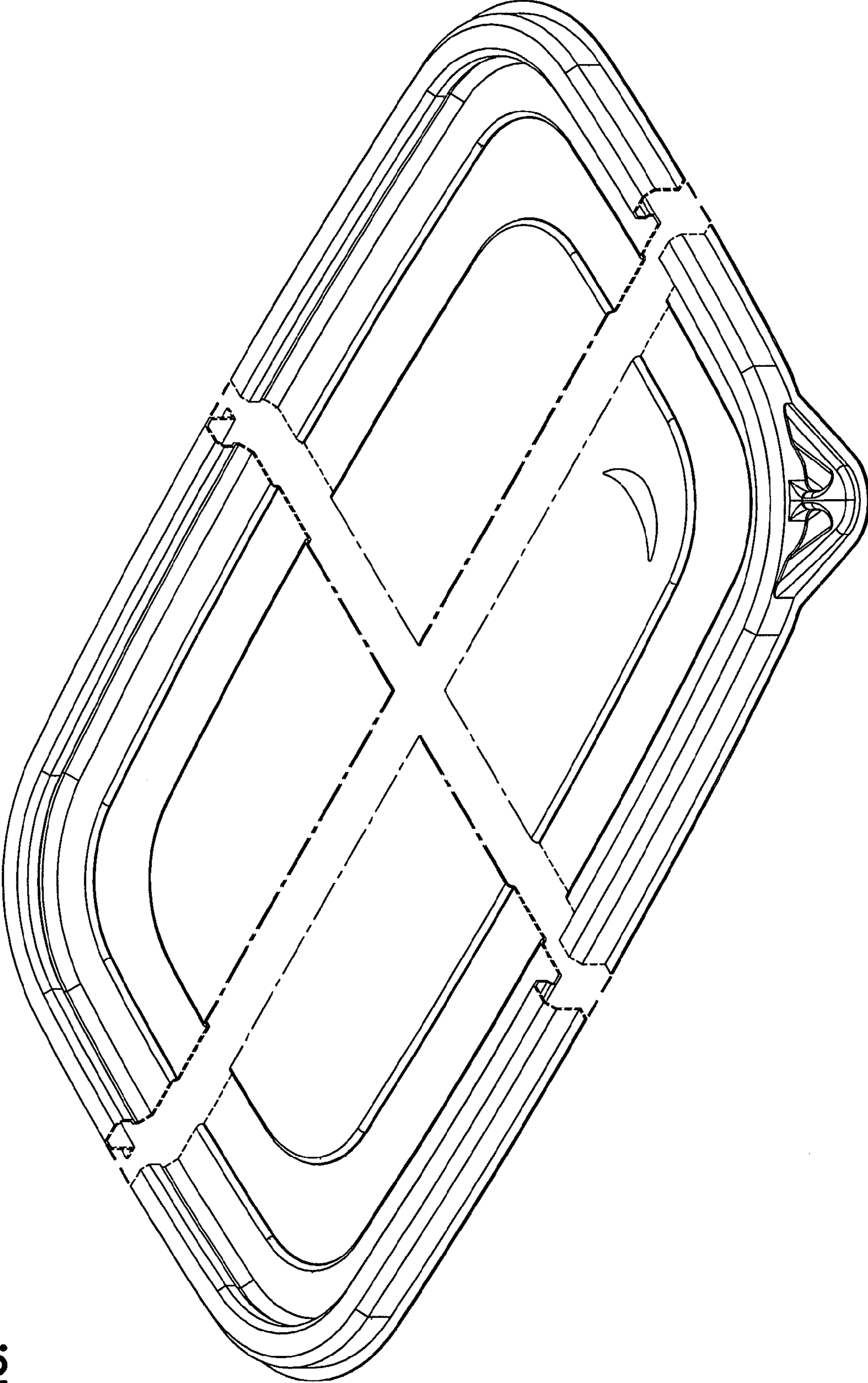
FIG. 6



FIG. 7



FIG. 8



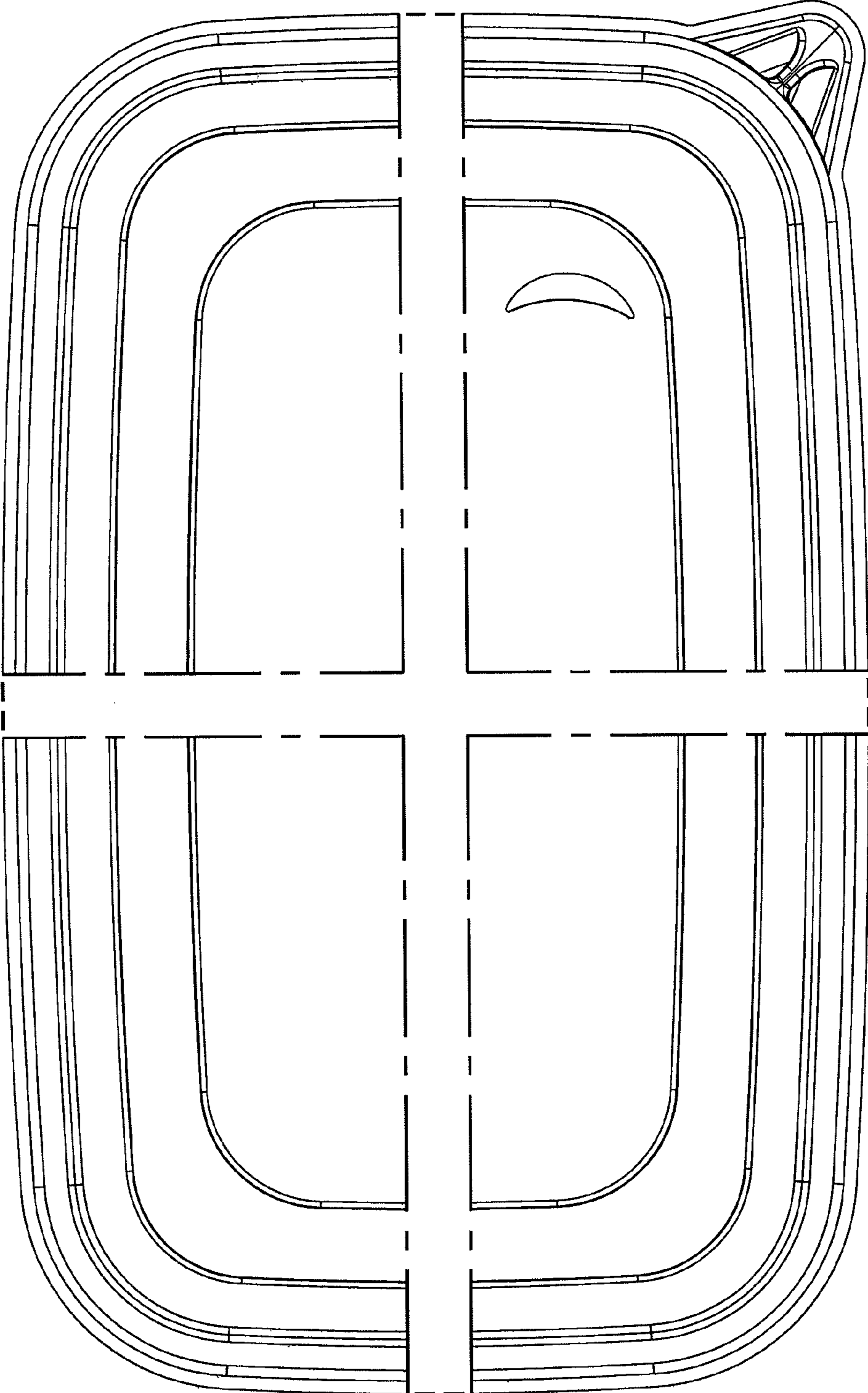


FIG. 9

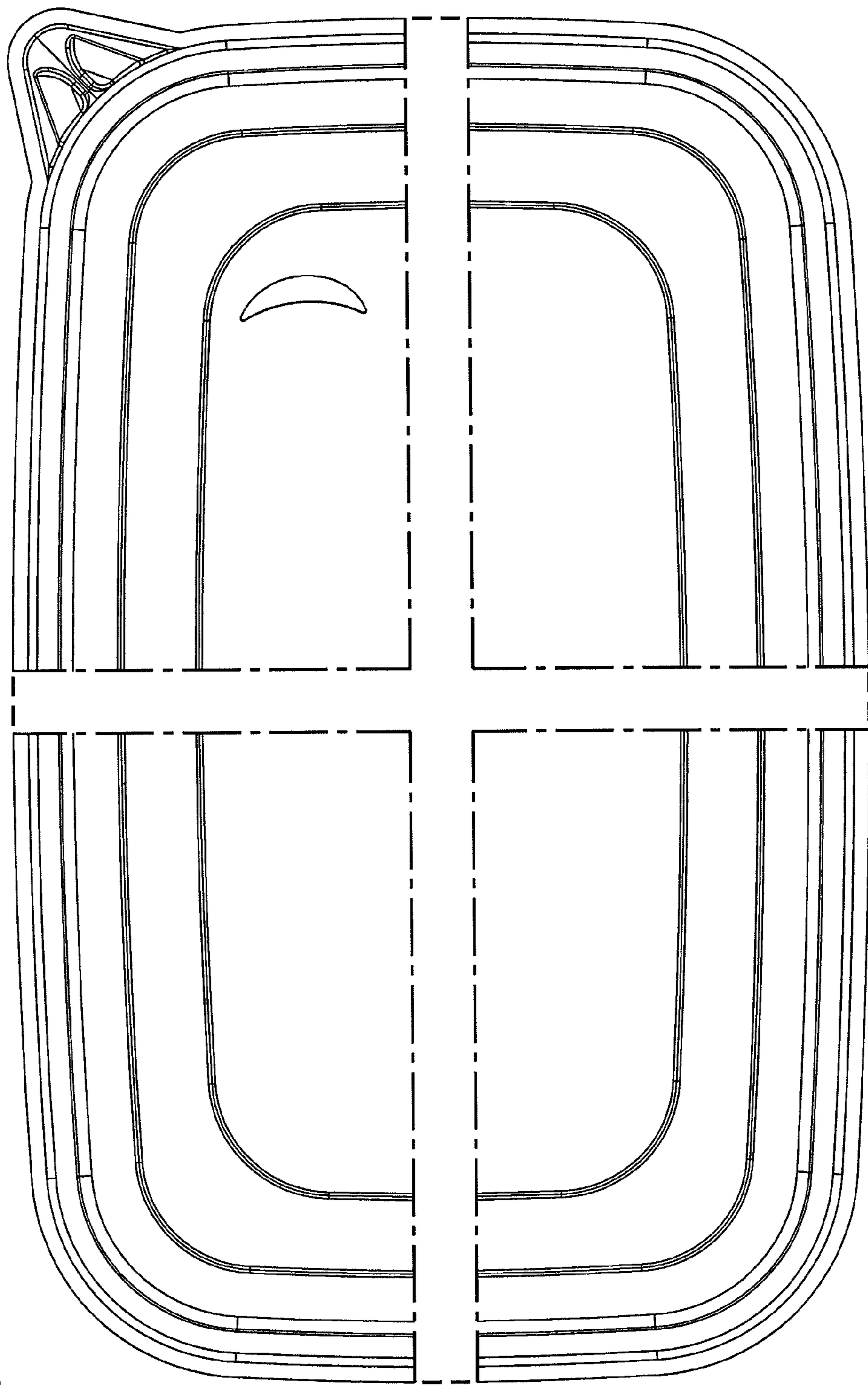


FIG. 10

FIG. 11

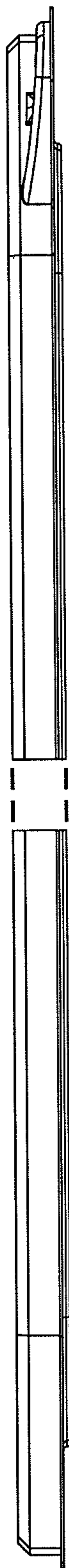


FIG. 12

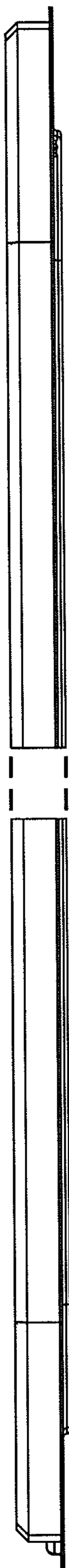


FIG. 13

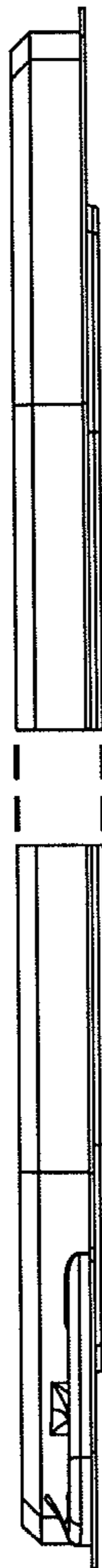


FIG. 14



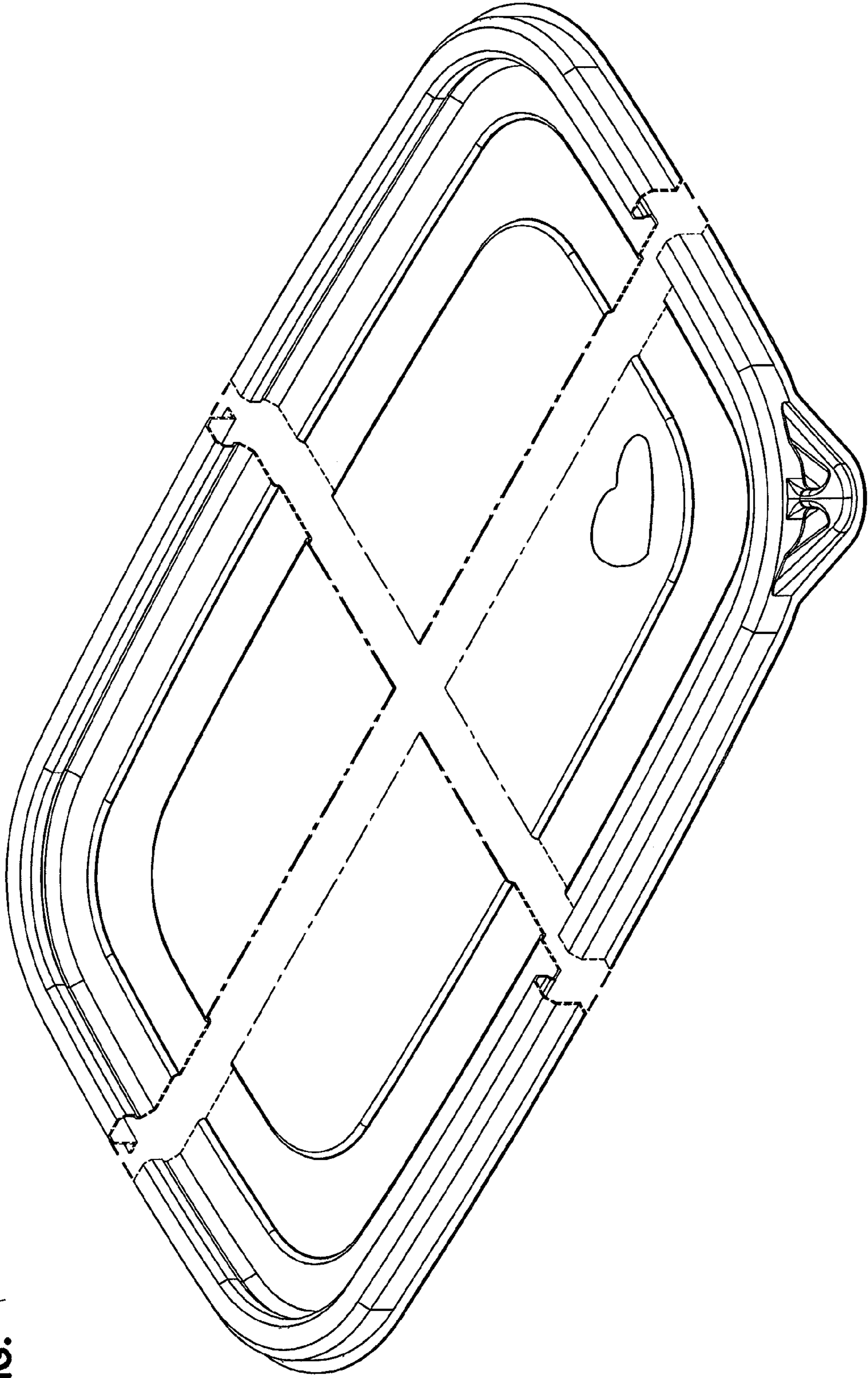


FIG. 15

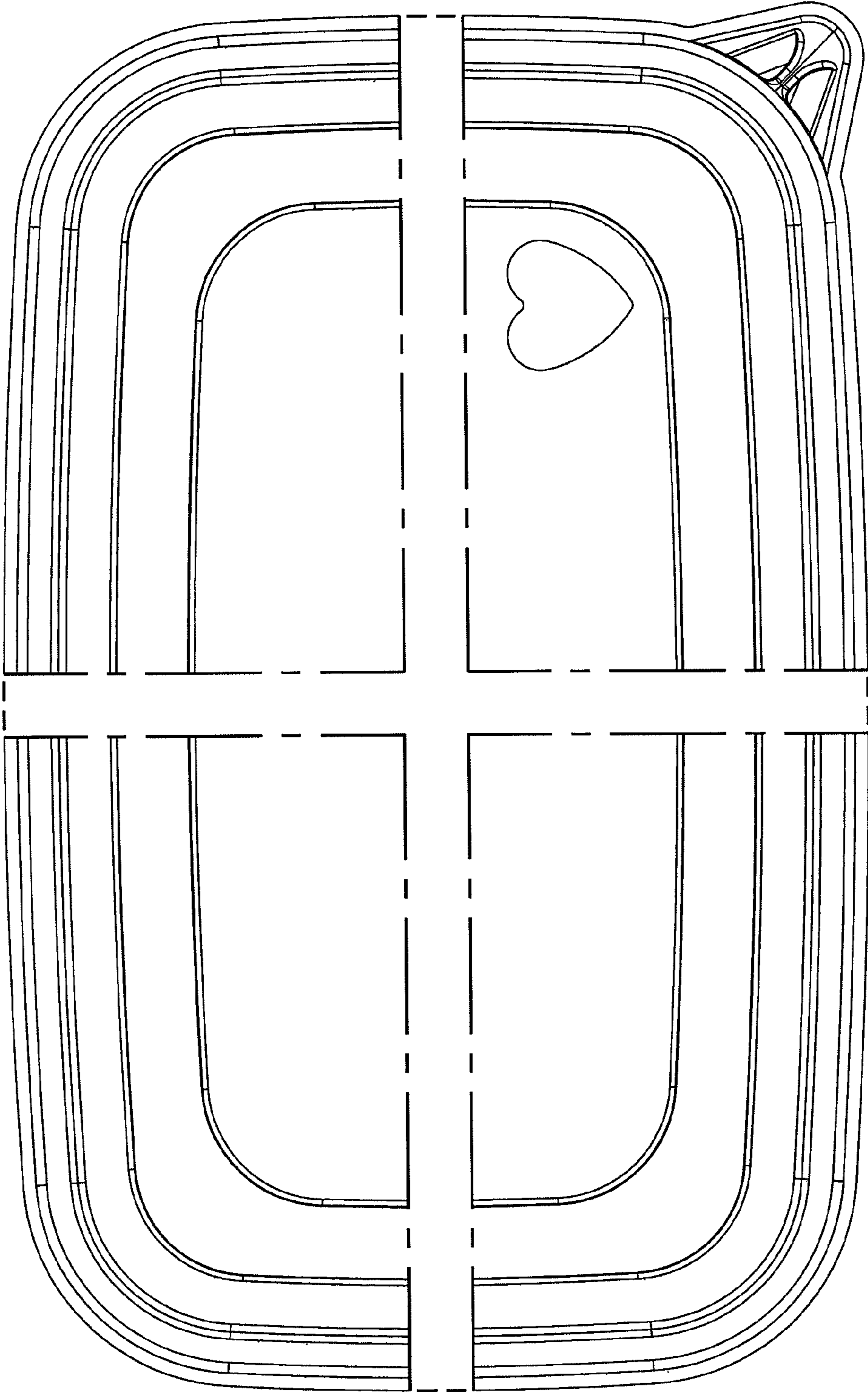


FIG. 16

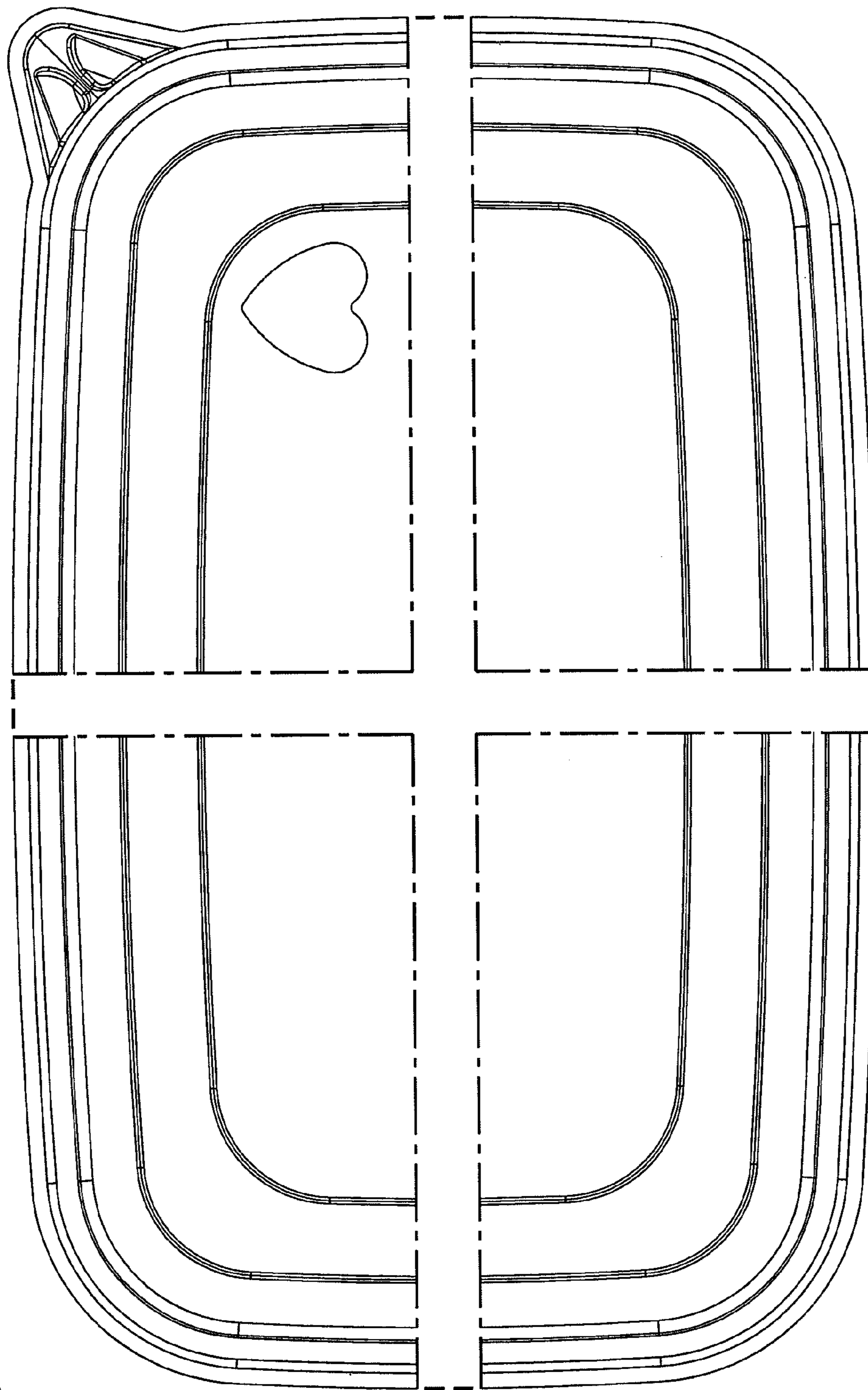


FIG. 17

FIG. 18

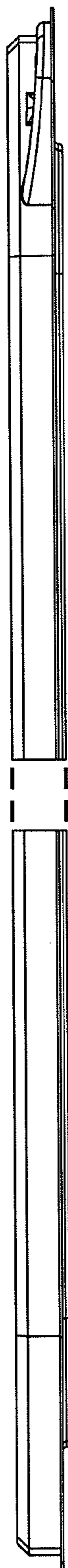


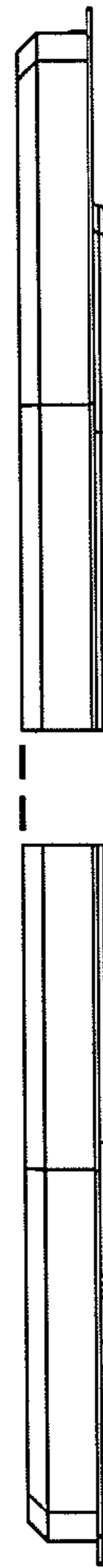
FIG. 19



FIG. 20



FIG. 21



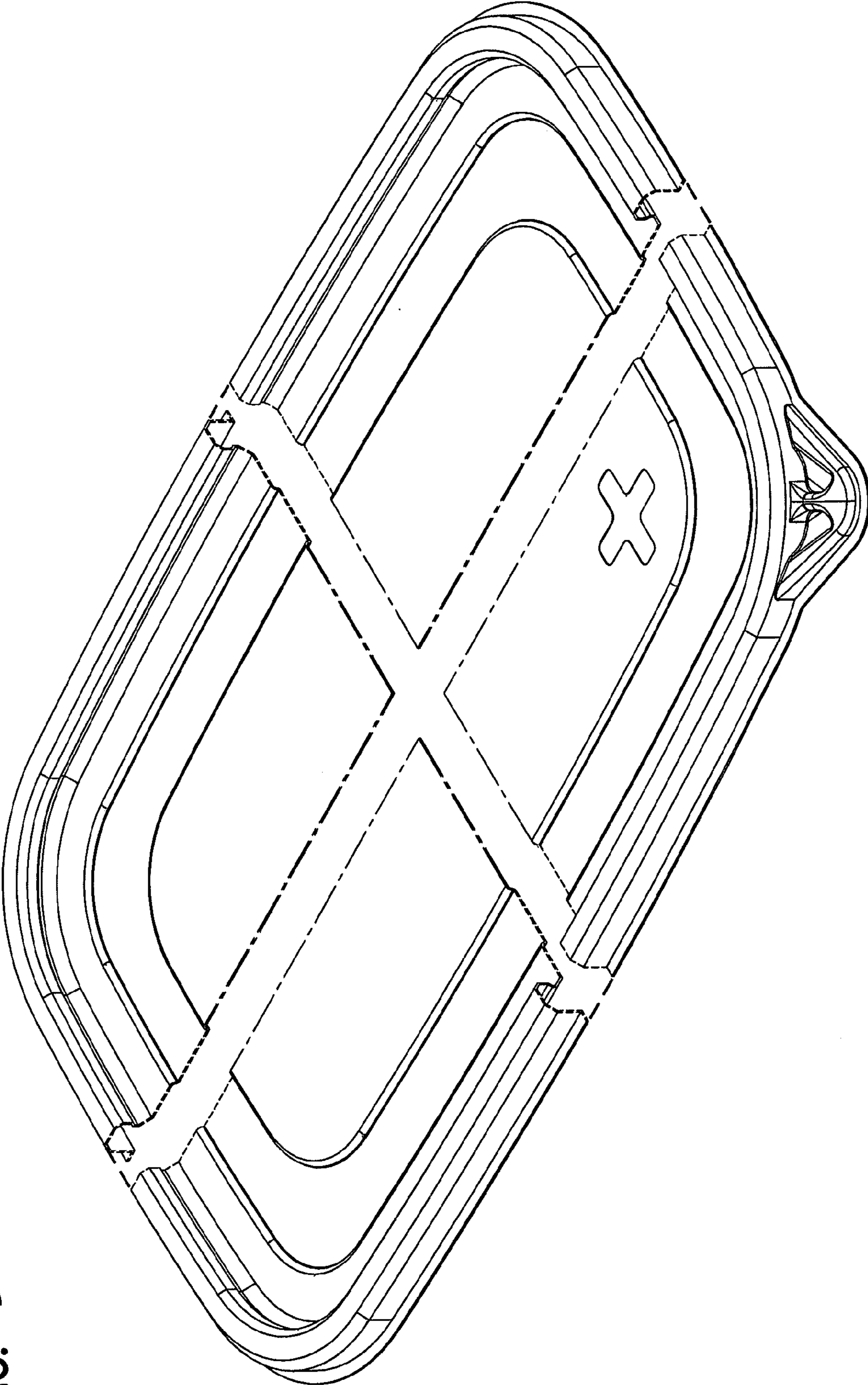


FIG. 22

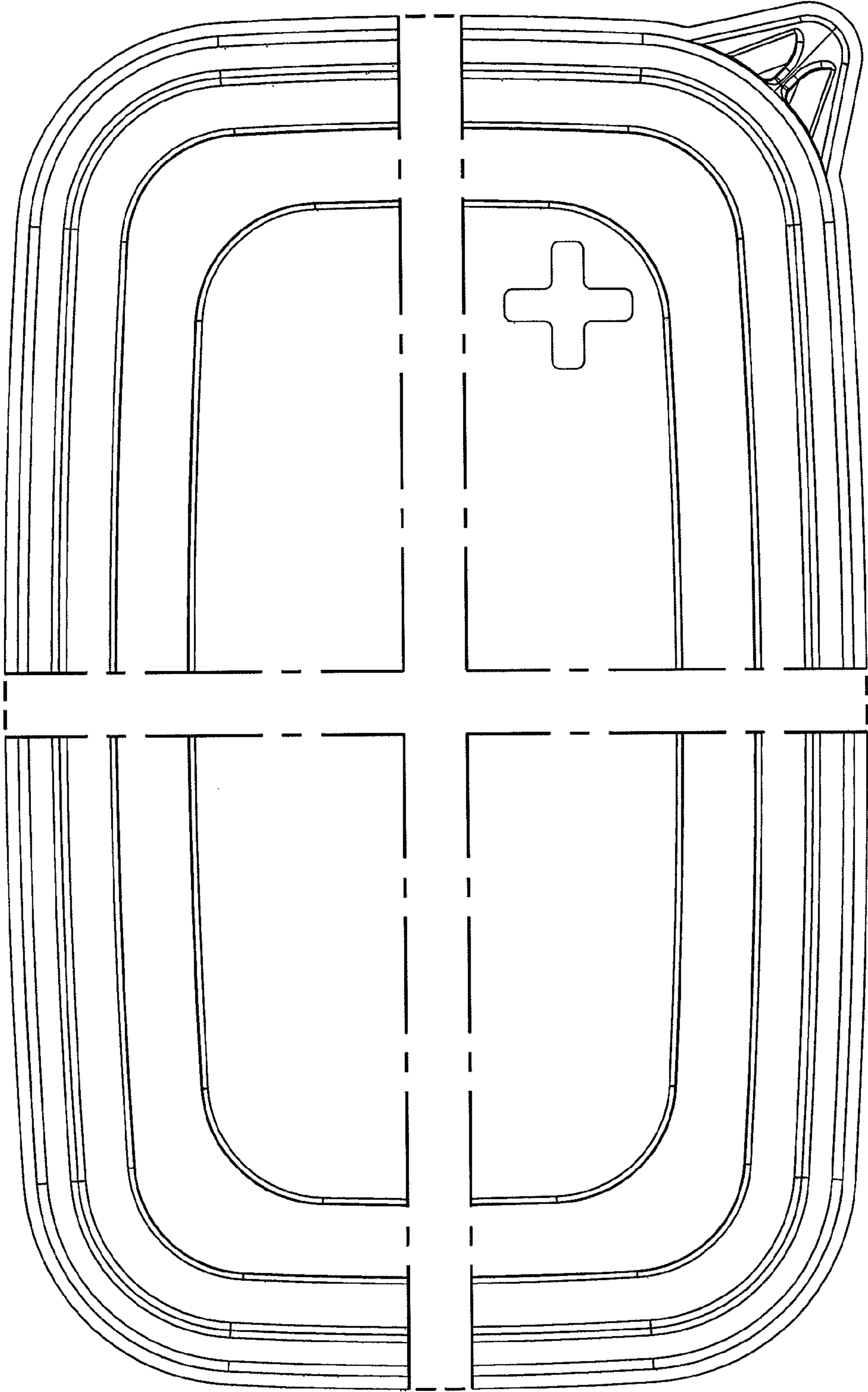


FIG. 23

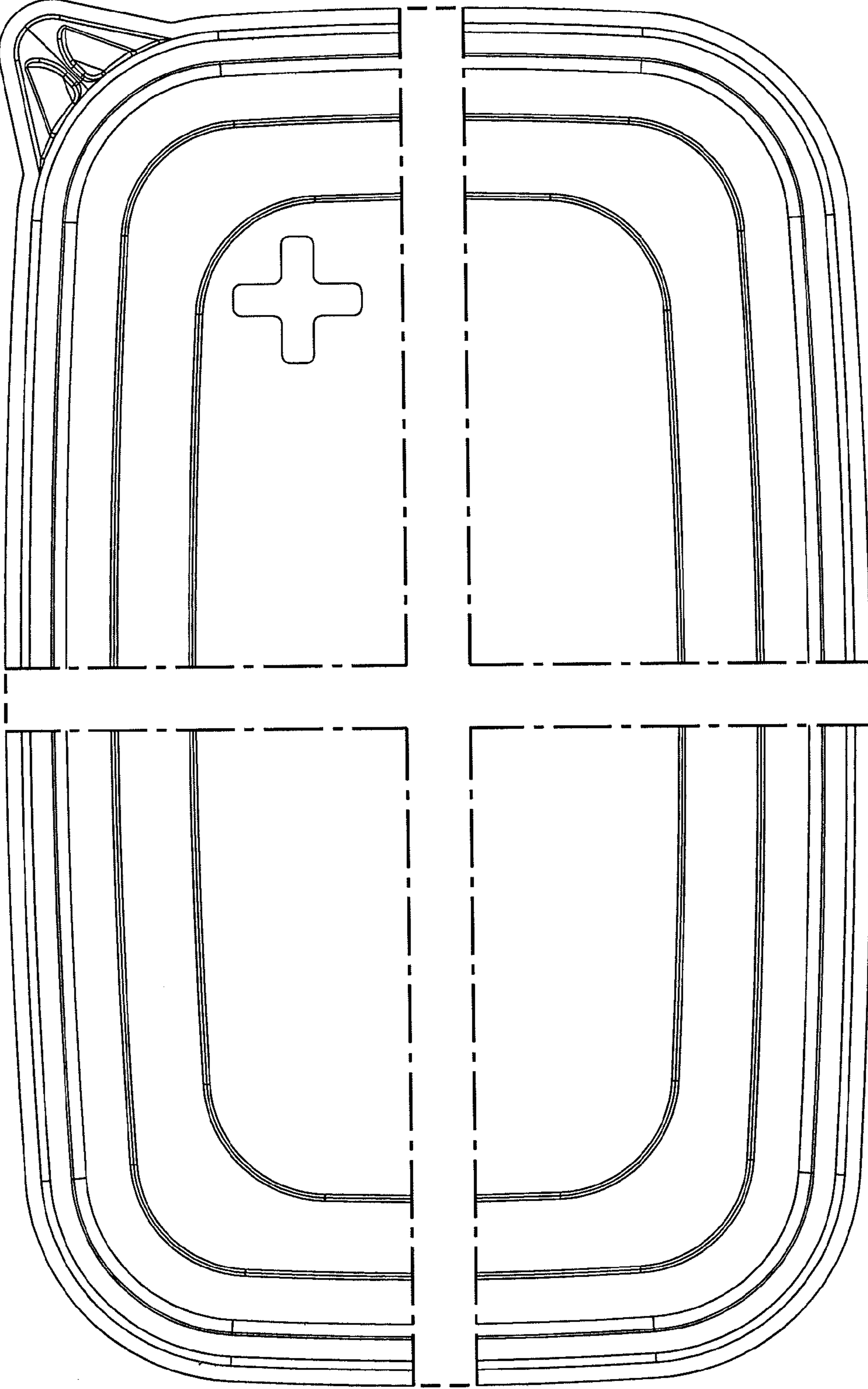


FIG. 2A

FIG. 25



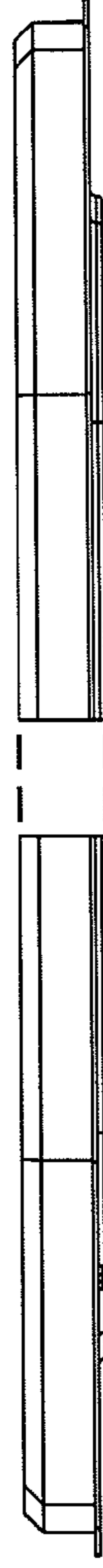
FIG. 26



FIG. 27



FIG. 28



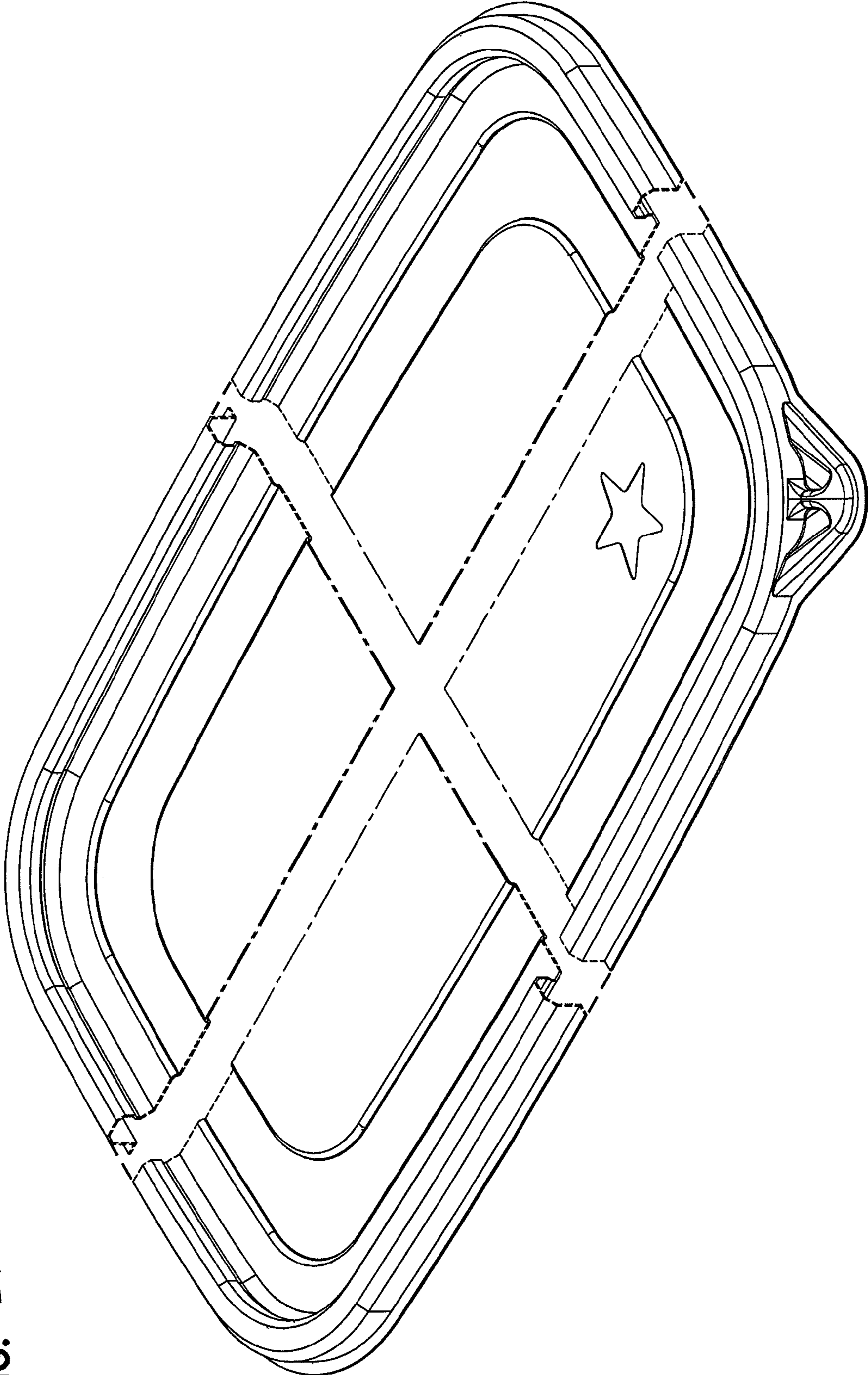


FIG. 29

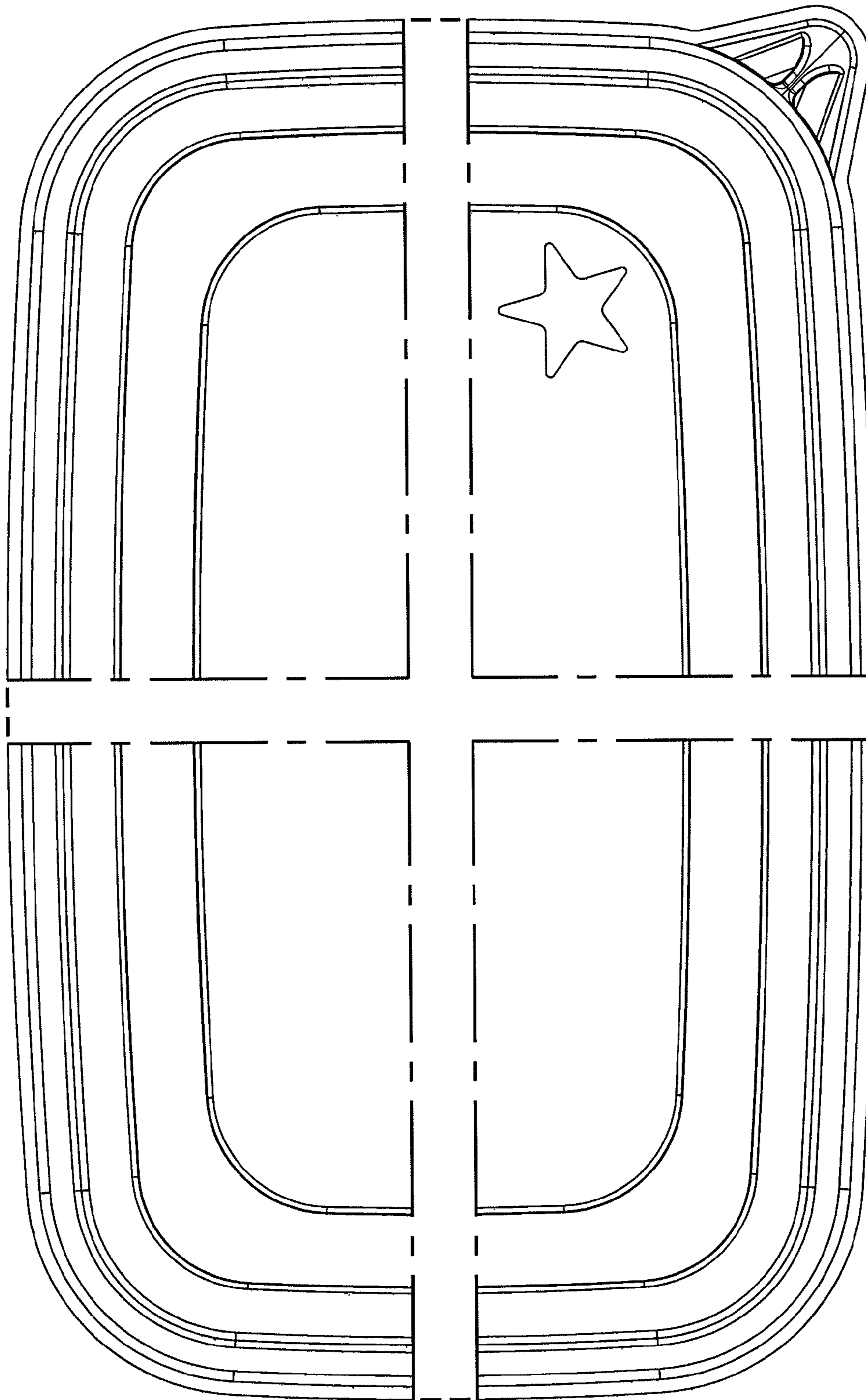


FIG. 30

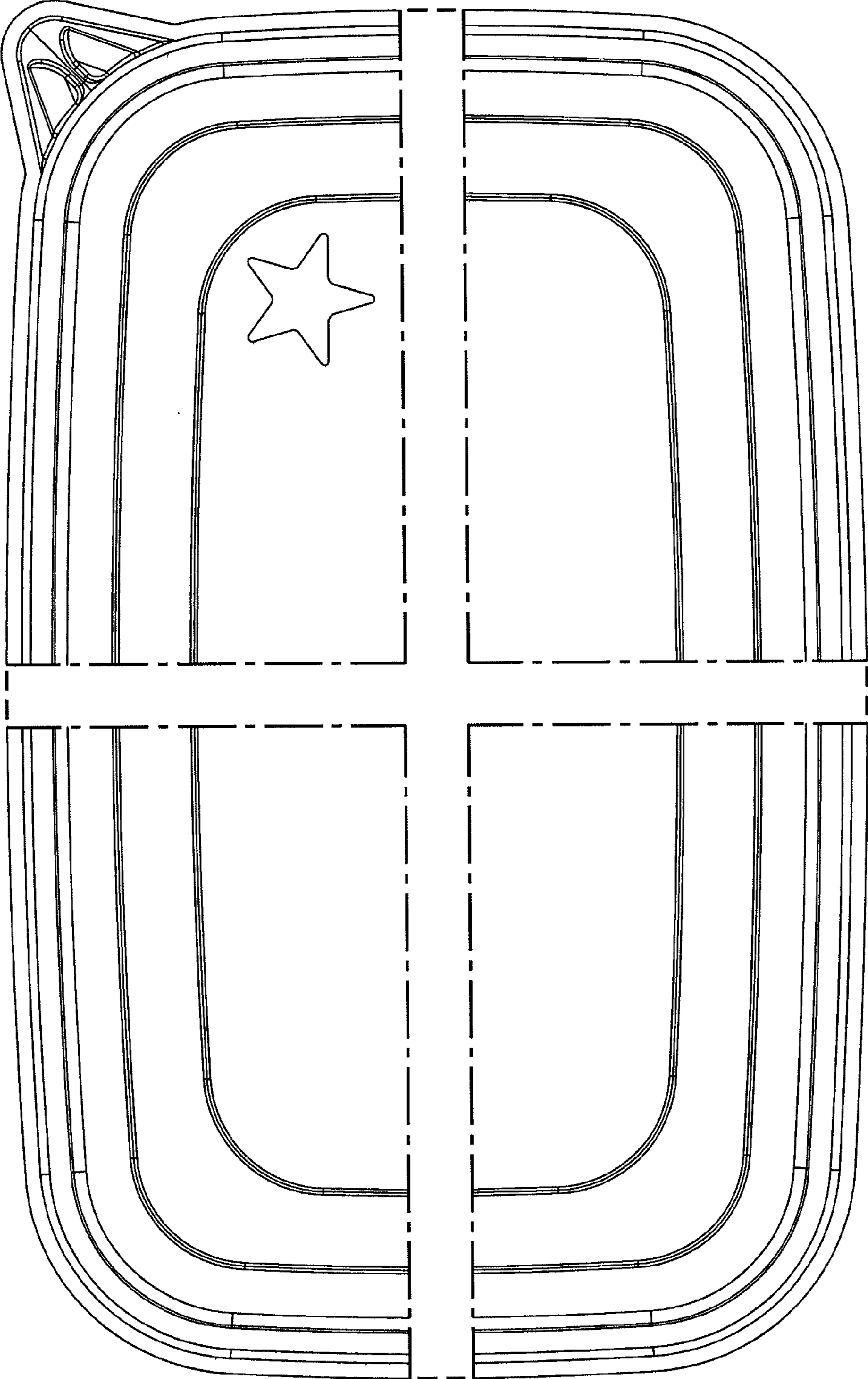


FIG. 31

FIG. 32

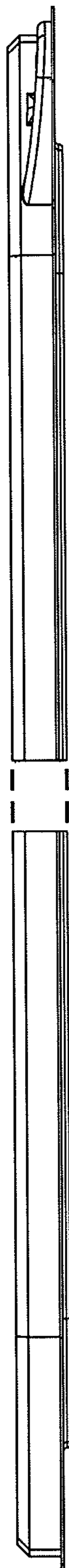


FIG. 33



FIG. 34



FIG. 35

