



US00D677563S

(12) **United States Design Patent**  
**Andre et al.**

(10) **Patent No.:** **US D677,563 S**  
(45) **Date of Patent:** **\*\* Mar. 12, 2013**

(54) **PACKAGING**

(75) Inventors: **Bartley K. Andre**, Menlo Park, CA (US); **Daniel J. Coster**, San Francisco, CA (US); **Daniele De Iulii**, San Francisco, CA (US); **Richard P. Howarth**, San Francisco, CA (US); **Jonathan P. Ive**, San Francisco, CA (US); **Steve Jobs**, Palo Alto, CA (US); **Duncan Robert Kerr**, San Francisco, CA (US); **Shin Nishibori**, Kailua, HI (US); **Matthew Dean Rohrbach**, San Francisco, CA (US); **Peter Russell-Clarke**, San Francisco, CA (US); **Douglas B. Satzger**, Menlo Park, CA (US); **Calvin Q. Seid**, Palo Alto, CA (US); **Vincent Keane Seid**, legal representative, Los Gatos, CA (US); **Christopher J. Stringer**, Woodside, CA (US); **Eugene Antony Whang**, San Francisco, CA (US); **Rico Zorkendorfer**, San Francisco, CA (US)

(73) Assignee: **Apple Inc.**, Cupertino, CA (US)

(\*\*) Term: **14 Years**

(21) Appl. No.: **29/406,057**

(22) Filed: **Nov. 9, 2011**

**Related U.S. Application Data**

(60) Continuation of application No. 29/384,961, filed on Feb. 7, 2011, now Pat. No. Des. 649,450, which is a continuation of application No. 29/363,450, filed on Jun. 9, 2010, now Pat. No. Des. 633,388, which is a continuation of application No. 29/340,508, filed on Jul. 20, 2009, now Pat. No. Des. 620,795, which is a division of application No. 29/281,505, filed on Jun. 25, 2007, now Pat. No. Des. 596,485.

(51) **LOC (9) Cl.** ..... **09-03**

(52) **U.S. Cl.** ..... **D9/418**

(58) **Field of Classification Search** ..... D9/430-433, D9/414, 418, 420-423, 434; D14/138 G, D14/407; 206/278, 297, 299, 457, 770, 737, 206/822; 229/100, 101, 101.3, 106, 108, 229/108.1, 116.1, 116.3, 116.5, 121, 122, 229/201, 213, 221, 222, 227, 922, 939, 942, 229/87.08, 101.2, 193, 195, 197

See application file for complete search history.

(56) **References Cited**

U.S. PATENT DOCUMENTS

D65,729	S	*	10/1924	Connor	.....	D9/434
D167,689	S		9/1952	Homer		
3,463,309	A		8/1969	Szostek		
3,487,921	A		1/1970	Barth et al.		
D246,439	S		11/1977	Lynn et al.		
D248,621	S		7/1978	Hay et al.		
D261,234	S		10/1981	Abraham		
4,542,822	A	*	9/1985	Kennedy et al.	.....	220/602
D281,484	S	*	11/1985	Dickes	.....	D9/432
4,606,460	A		8/1986	Luray		
D310,488	S	*	9/1990	Callinan	.....	D9/418
5,040,678	A		8/1991	Lenmark, Sr. et al.		
D369,295	S		4/1996	Kobari et al.		
D389,639	S		1/1998	Priebe		
D397,552	S		9/1998	Rutledge		
D406,463	S		3/1999	Rutledge		
6,154,360	A	*	11/2000	Kaczeus et al.	.....	361/679.34
6,305,539	B1		10/2001	Sanders, Jr.		
6,367,624	B1		4/2002	Szczepanski et al.		
D553,495	S	*	10/2007	Vandecasteele et al.	.....	D9/432
D558,571	S		1/2008	Andre et al.		
D558,572	S		1/2008	Andre et al.		
D580,387	S		11/2008	Andre et al.		
D580,752	S		11/2008	Andre et al.		
D596,485	S		7/2009	Andre et al.		
D601,558	S		10/2009	Andre et al.		

(Continued)

*Primary Examiner* — Karen S Acker

(74) *Attorney, Agent, or Firm* — Sterne, Kessler, Goldstein & Fox P.L.L.C.

(57) **CLAIM**

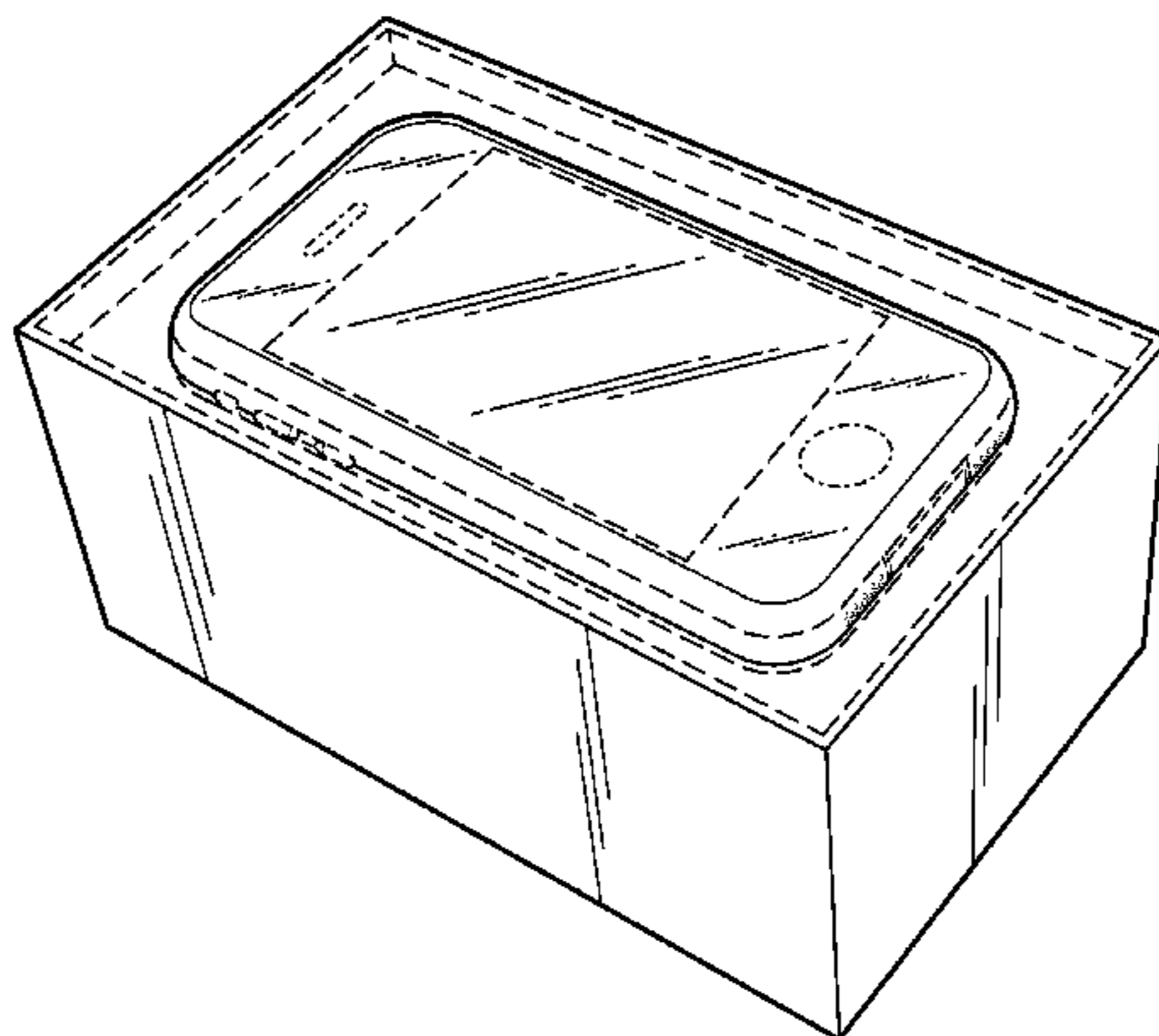
The ornamental design for packaging, as shown and described.

**DESCRIPTION**

FIG. 1 is a top perspective view of packaging showing our new design;  
FIG. 2 is a top plan view thereof;  
FIG. 3 is a bottom view thereof;  
FIG. 4 is a front view thereof;  
FIG. 5 is a rear view thereof;  
FIG. 6 is side view thereof; and,  
FIG. 7 is another side view thereof.

The broken lines in the Figures show portions of the packaging and environment which form no part of the claimed design. The dot-dash lines show unclaimed boundaries.

**1 Claim, 5 Drawing Sheets**



# US D677,563 S

Page 2

## U.S. PATENT DOCUMENTS

D618,678 S	6/2010	Andre et al.		D640,139 S	6/2011	Lee	
D620,795 S	8/2010	Andre et al.		8,033,393 B2 *	10/2011	Baker et al. ....	206/216
D621,256 S	8/2010	Andre et al.		D651,189 S *	12/2011	Tsai et al. ....	D14/138 G
D622,716 S	8/2010	Andre et al.		2006/0266672 A1	11/2006	Young	
D624,400 S	9/2010	Wichowski		2008/0060975 A1	3/2008	Young et al.	
D627,343 S	11/2010	Andre et al.		2010/0078343 A1 *	4/2010	Hoellwarth et al. ....	206/320
D629,310 S *	12/2010	Tran .....	D9/737	2010/0264059 A1 *	10/2010	Jacob Cestari .....	206/778
D632,169 S	2/2011	Ruth		2011/0108455 A1 *	5/2011	Aldridge et al. ....	206/778
7,878,326 B2	2/2011	Andre et al.		2011/0290868 A1 *	12/2011	Li .....	229/125.01
D633,388 S	3/2011	Andre et al.		2011/0308993 A1 *	12/2011	Hill et al. ....	206/600
7,926,654 B2 *	4/2011	Dai et al. ....	206/316.2	2012/0061290 A1 *	3/2012	Delaunay et al. ....	206/769

\* cited by examiner

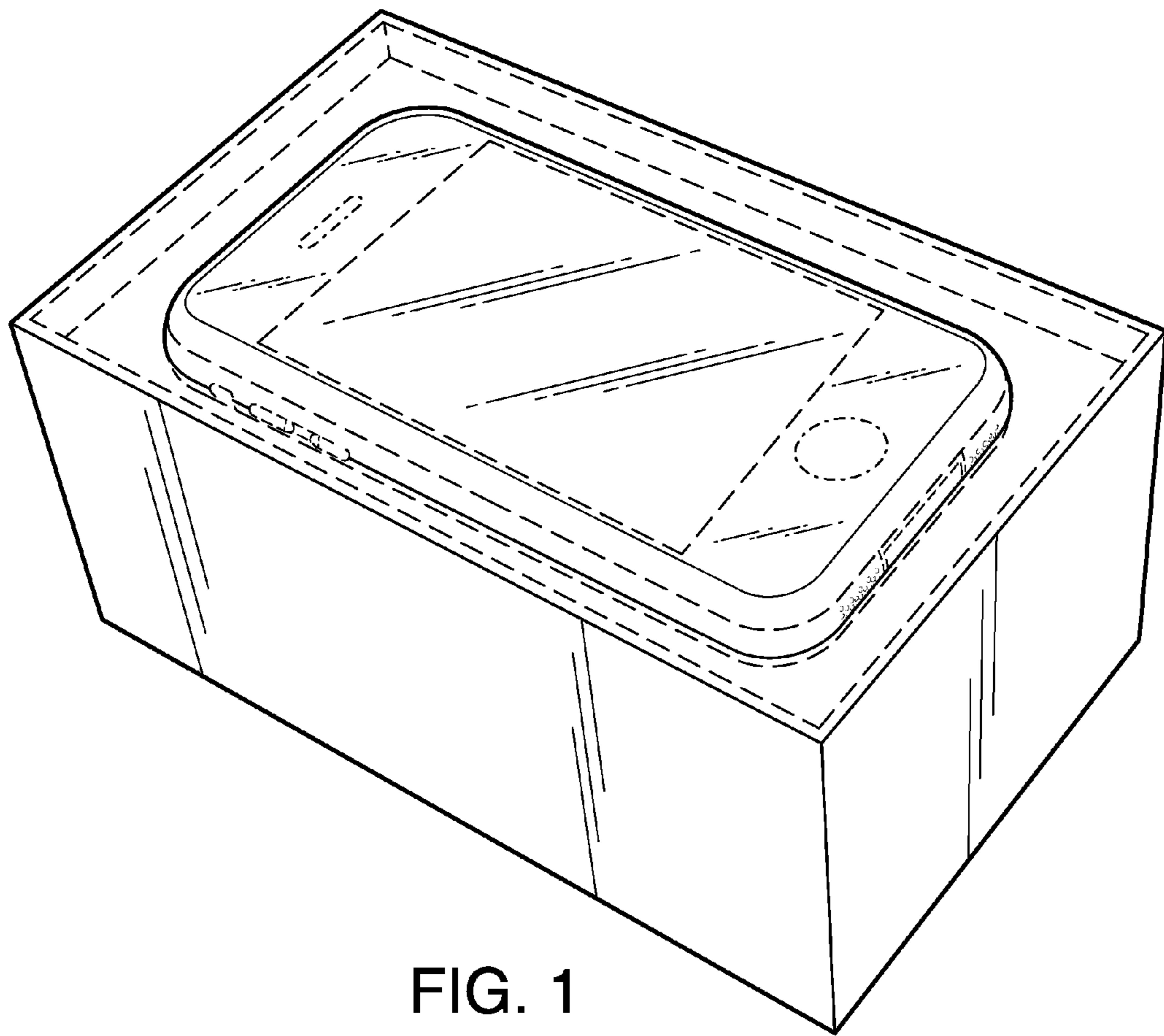


FIG. 1

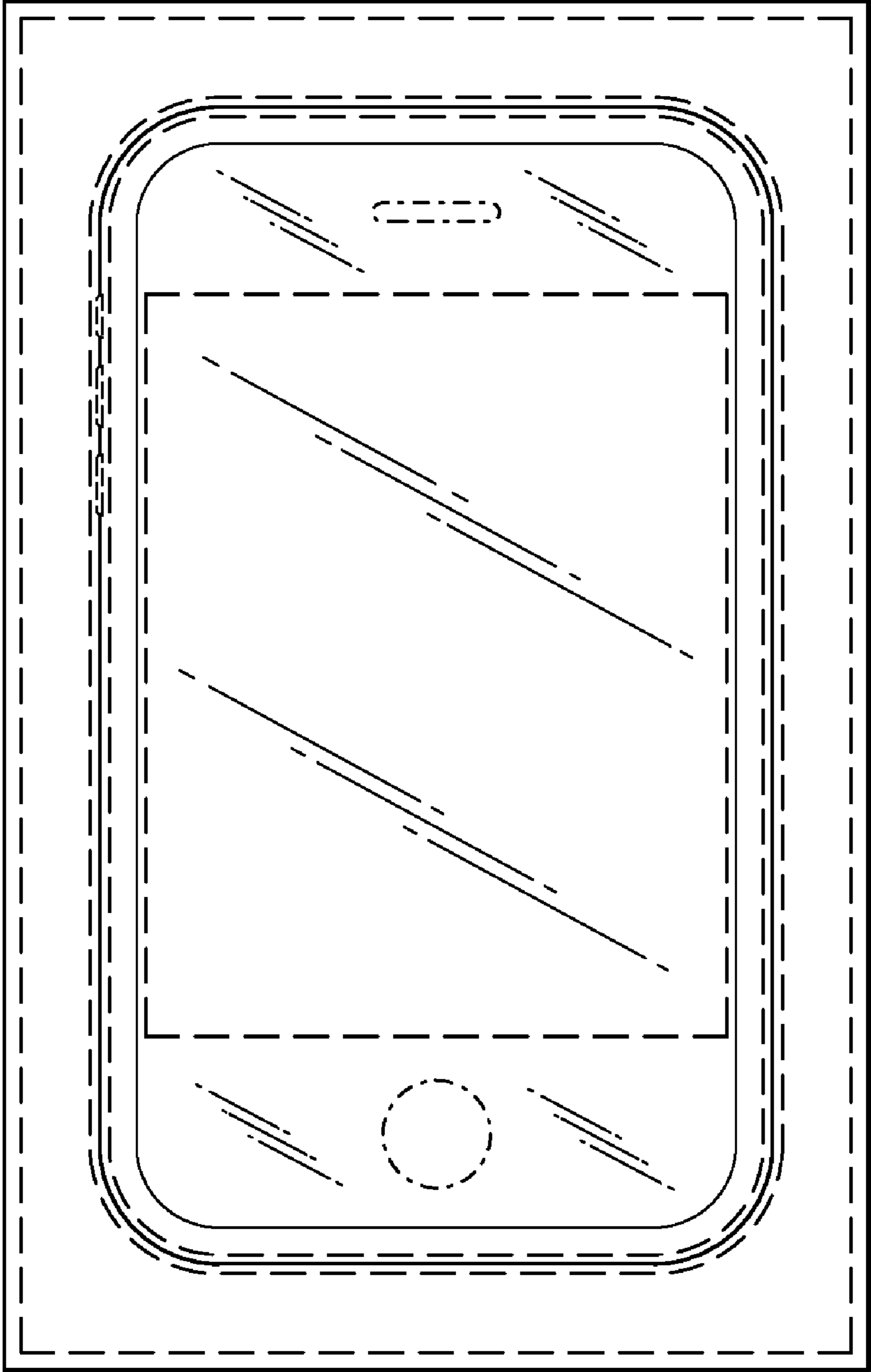


FIG. 2

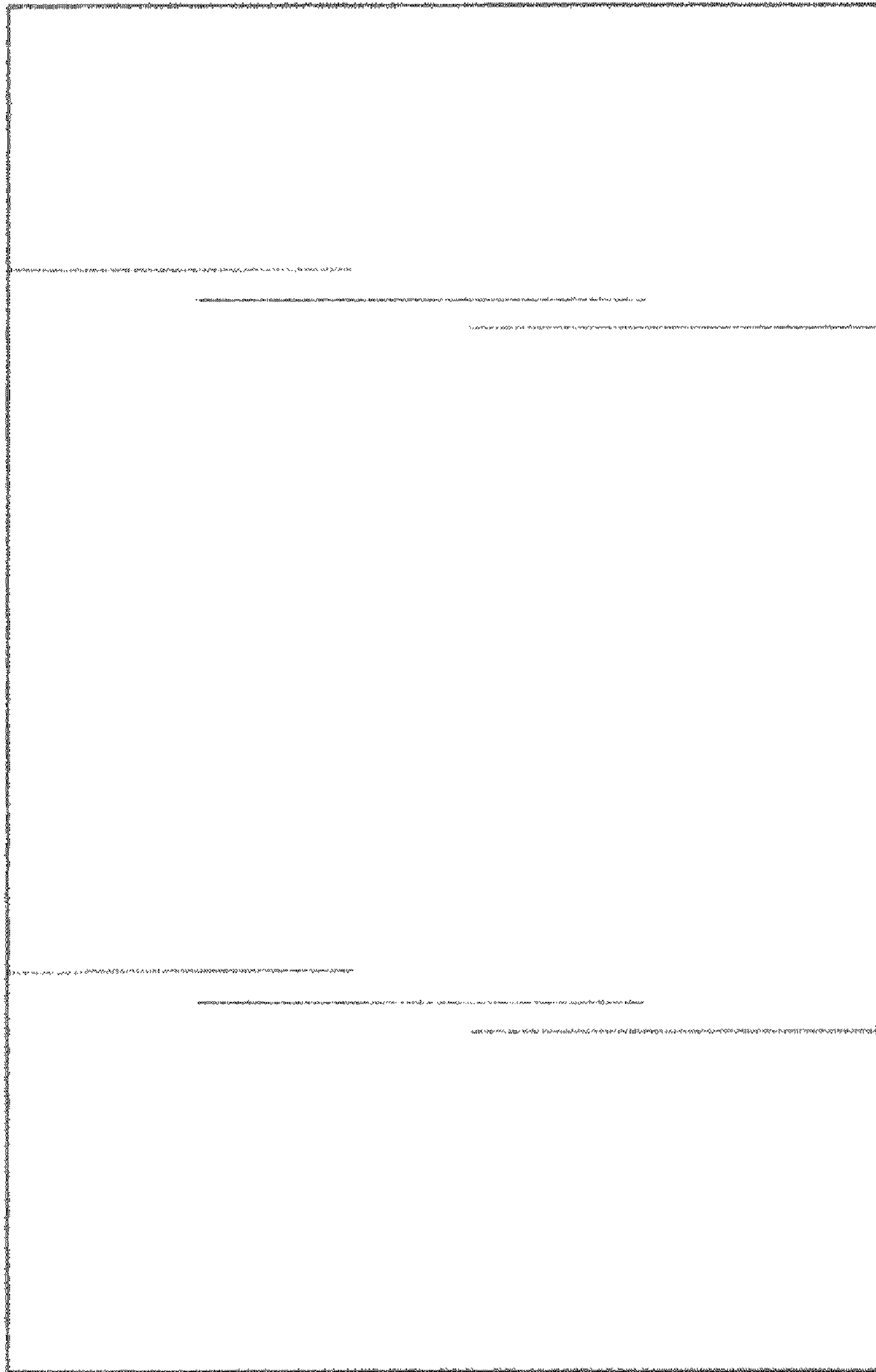


FIG. 3

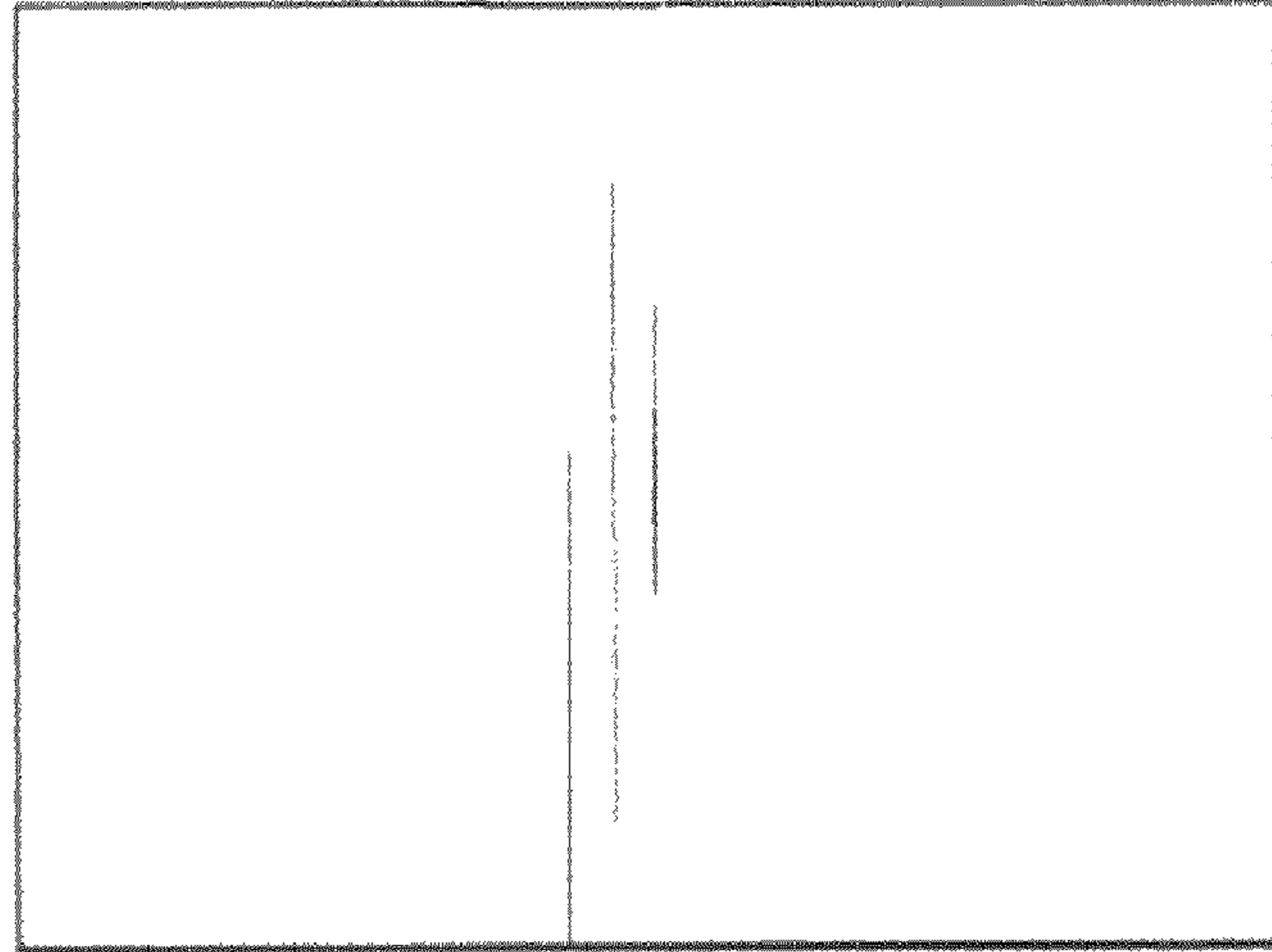


FIG. 4

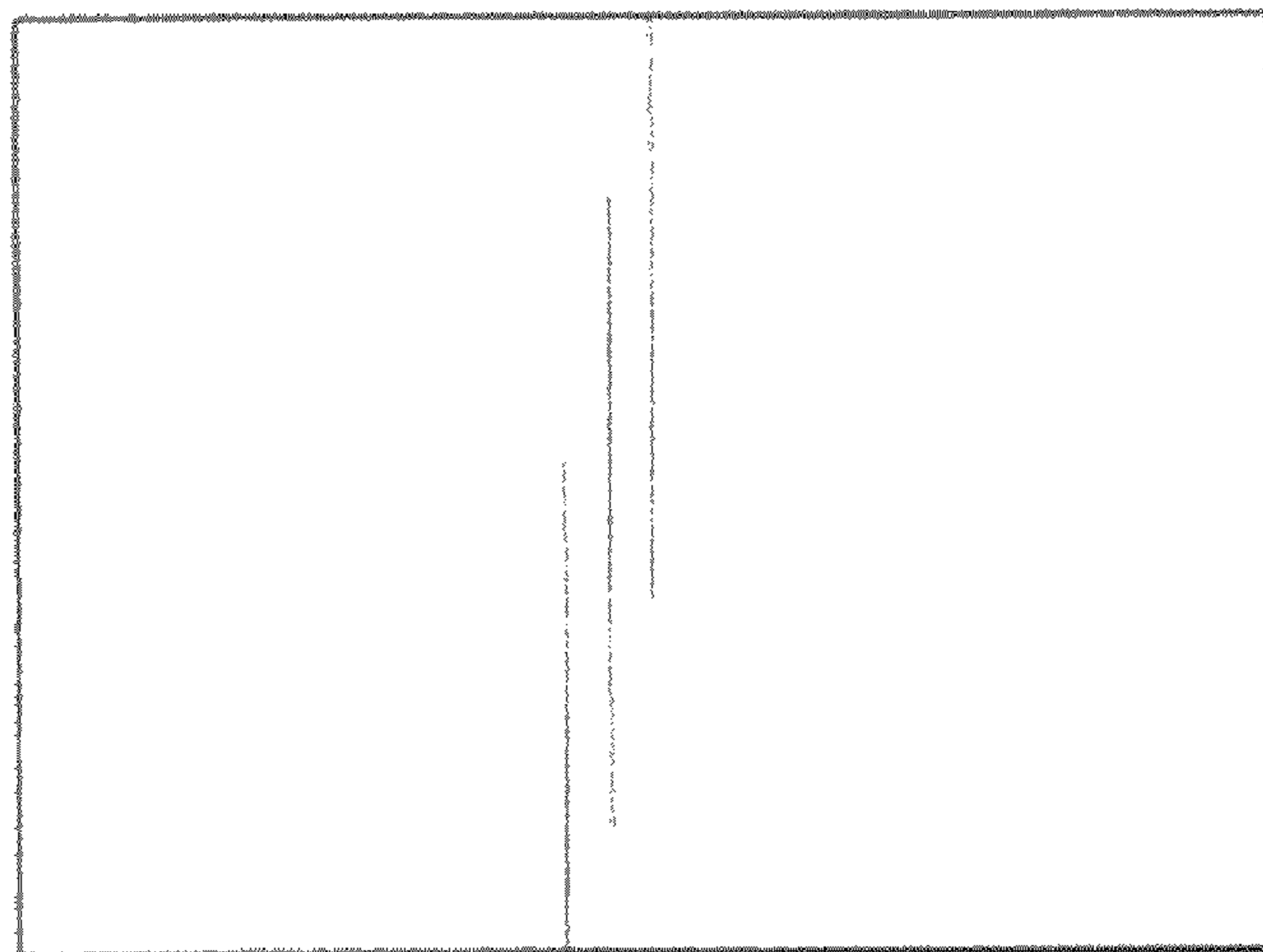


FIG. 5

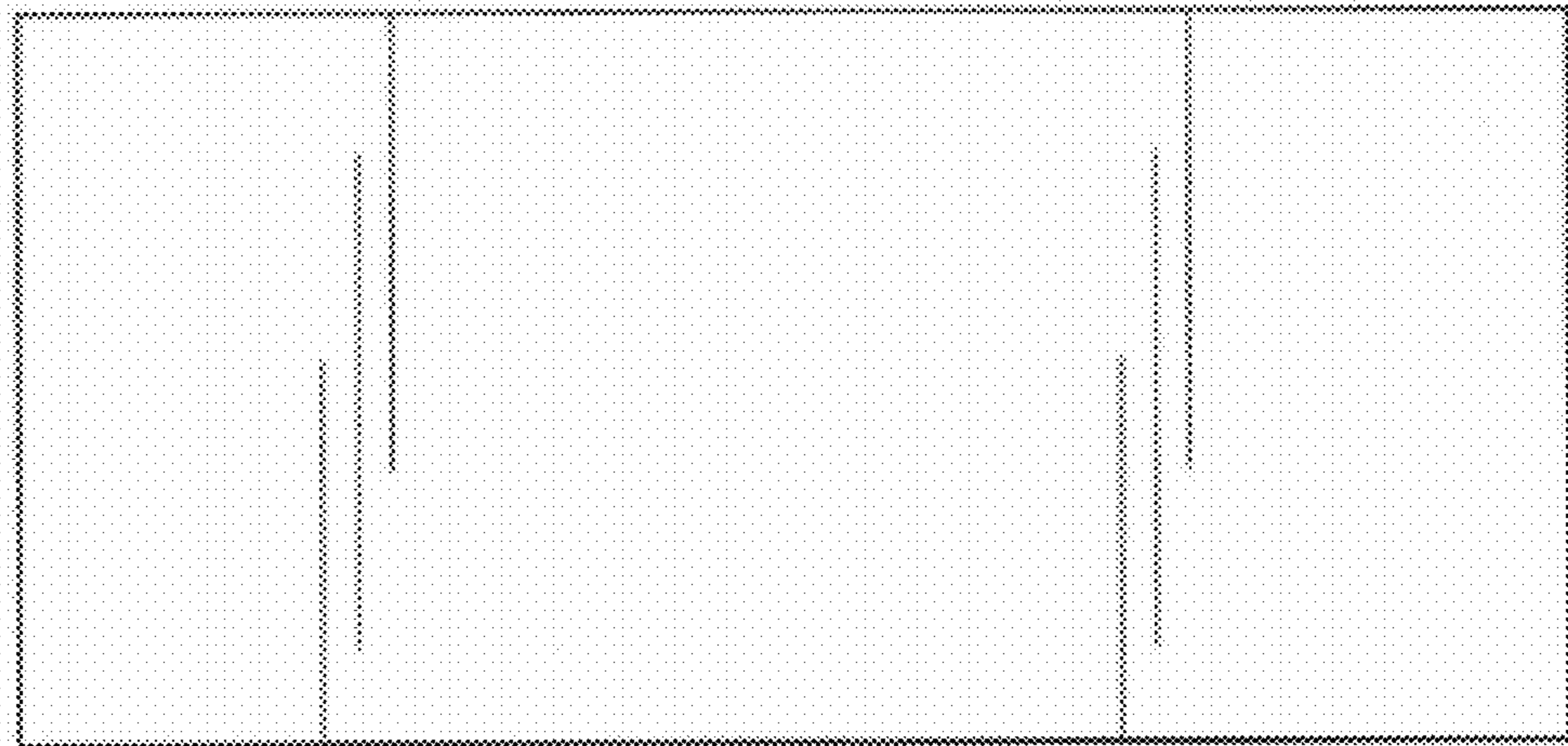


FIG. 6

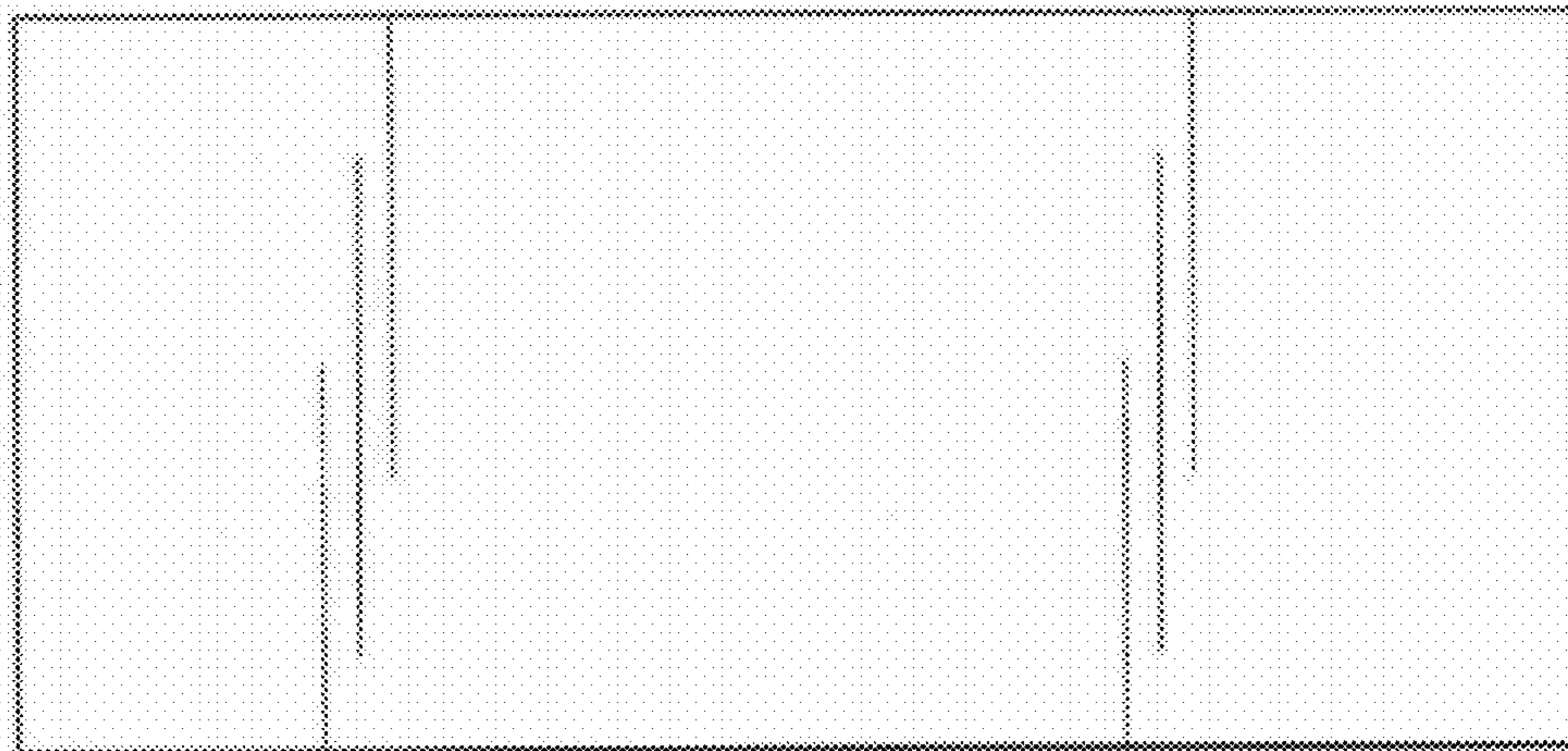


FIG. 7