



US00D677562S

(12) **United States Design Patent**
Kachler

(10) **Patent No.:** **US D677,562 S**
(45) **Date of Patent:** **** Mar. 12, 2013**

(54) **REFLECTIVE CLAMP FOR PLACING A
CARD BETWEEN BICYCLE SPOKES**

(76) Inventor: **Thomas Stephen Kachler**, Sunnyvale,
CA (US)

(**) Term: **14 Years**

(21) Appl. No.: **29/414,027**

(22) Filed: **Feb. 23, 2012**

(51) **LOC (9) Cl.** **08-08**

(52) **U.S. Cl.** **D8/395**

(58) **Field of Classification Search** D8/394-396,
D8/72, 367, 373; D19/56, 65, 86; 24/67.3;
D32/60-64; D28/40

See application file for complete search history.

(56) **References Cited**

U.S. PATENT DOCUMENTS

| | | | | | | |
|-----------|---|---|---------|----------------|-------|---------|
| 462,358 | A | * | 11/1891 | Knowles | | 24/511 |
| D238,853 | S | * | 2/1976 | Kruger | | D8/395 |
| 4,097,971 | A | * | 7/1978 | Morris | | 40/1.5 |
| D267,833 | S | * | 2/1983 | Anderson | | D11/202 |
| D274,127 | S | * | 6/1984 | Einhorn et al. | | D8/395 |
| D284,483 | S | * | 7/1986 | Yang | | D19/91 |
| D292,677 | S | * | 11/1987 | Jordi | | D10/31 |
| D301,017 | S | * | 5/1989 | Norman et al. | | D10/68 |
| D327,149 | S | * | 6/1992 | Harper, IV | | D32/61 |
| D374,170 | S | * | 10/1996 | Slaski | | D8/395 |
| D405,808 | S | * | 2/1999 | Bankier | | D15/78 |
| D463,824 | S | * | 10/2002 | Kan | | D19/65 |

| | | | | | | |
|--------------|----|---|---------|-----------------|-------|---------|
| D492,728 | S | * | 7/2004 | Nuttall et al. | | D19/65 |
| D498,497 | S | * | 11/2004 | Lo | | D19/65 |
| D520,078 | S | * | 5/2006 | Pollack | | D21/453 |
| D534,982 | S | * | 1/2007 | Miller | | D21/793 |
| D559,673 | S | * | 1/2008 | Dash | | D8/395 |
| D582,984 | S | * | 12/2008 | Mininger et al. | | D20/10 |
| D615,394 | S | * | 5/2010 | Pearson et al. | | D8/395 |
| 7,850,506 | B2 | * | 12/2010 | Nelson et al. | | 446/220 |
| D637,220 | S | * | 5/2011 | Levine | | D16/135 |
| 2010/0172145 | A1 | * | 7/2010 | Moore et al. | | 362/473 |

* cited by examiner

Primary Examiner — John Windmuller

(74) *Attorney, Agent, or Firm* — Sean D. Burdick

(57) **CLAIM**

The ornamental design for a reflective clamp for placing a card between bicycle spokes, as shown and described.

DESCRIPTION

FIG. 1 is a top view of a reflective clamp for placing a card between bicycle spokes, showing my new design.

FIG. 2 is a bottom view thereof.

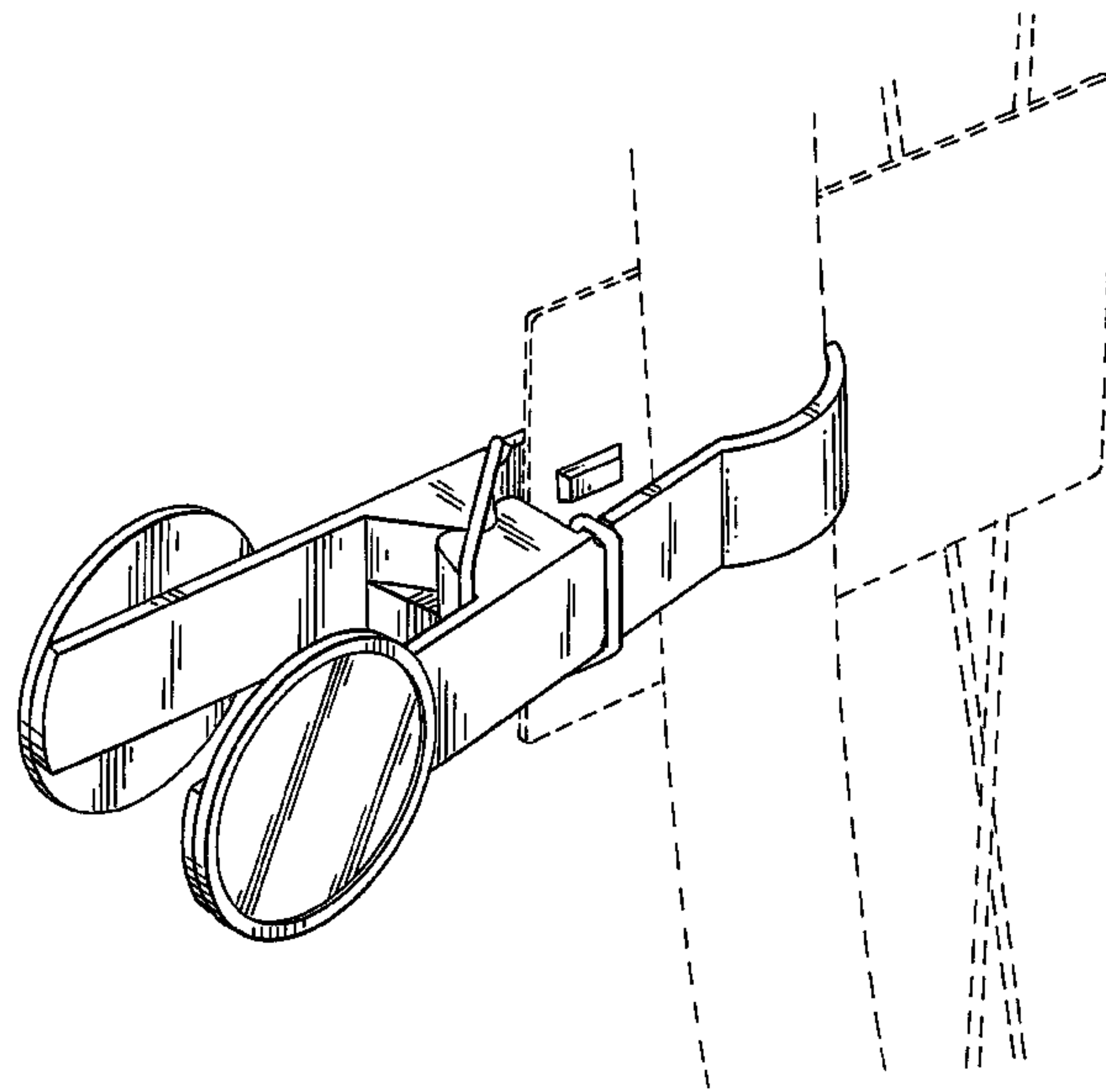
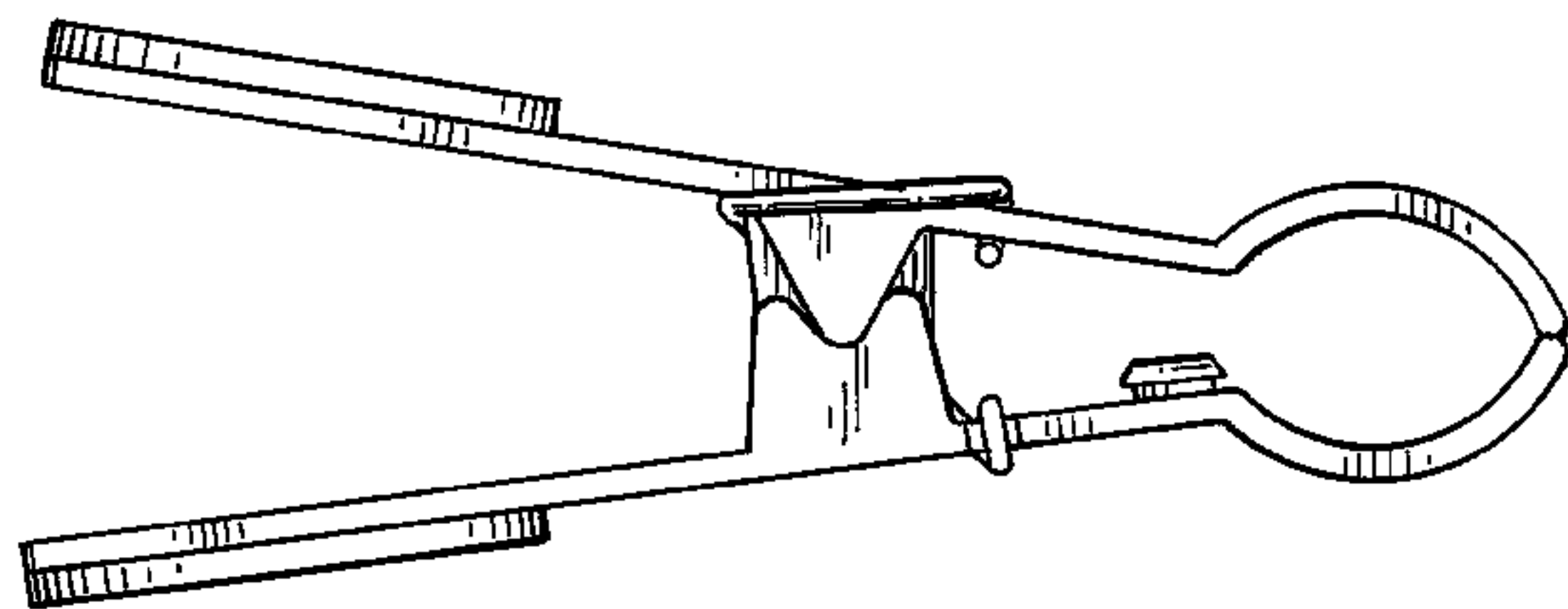
FIG. 3 is a side view thereof.

FIG. 4 is an opposite side view thereof; and,

FIG. 5 is a perspective view thereof, embodying my new design in a state of use.

The broken lines in FIG. 5 that indicate a vertical portion of a bicycle frame, a card, and spokes of a bicycle wheel are included for the purpose of illustrating the reflective clamp in a state of use and form no part of the claimed design.

1 Claim, 3 Drawing Sheets



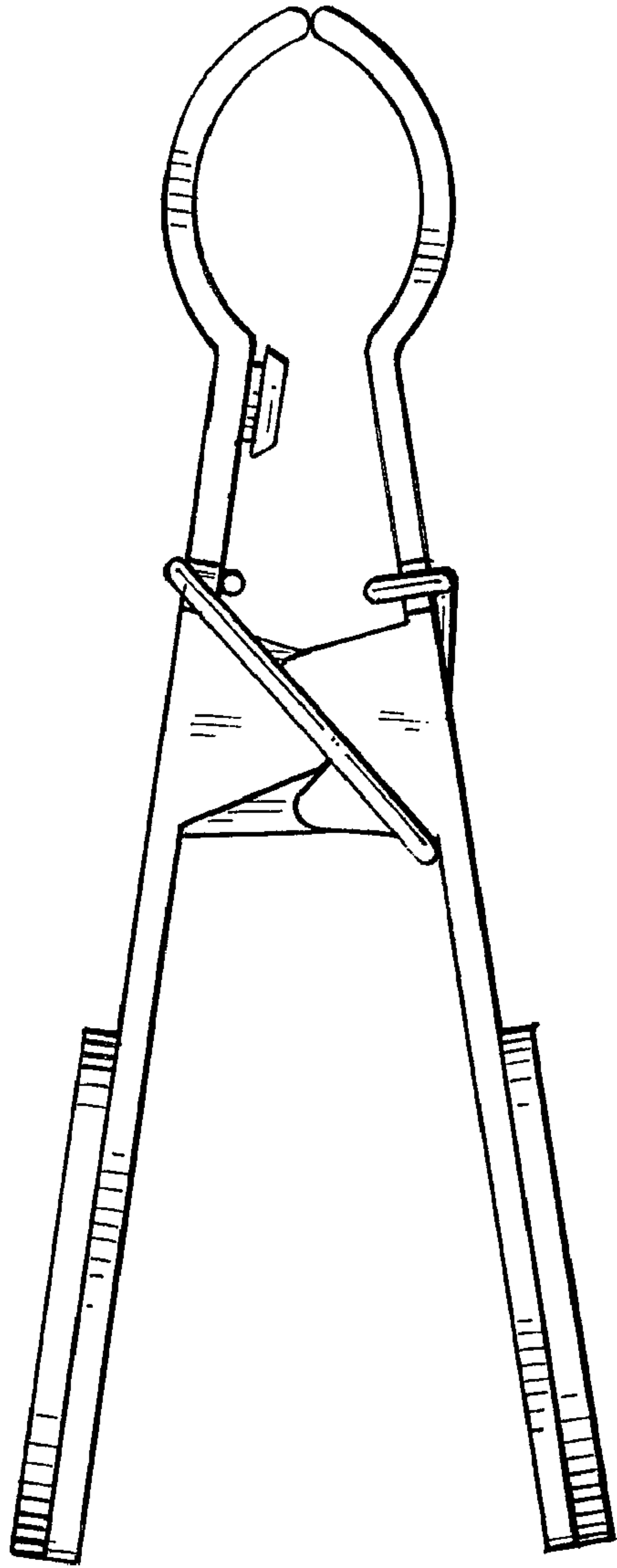


FIG. 1

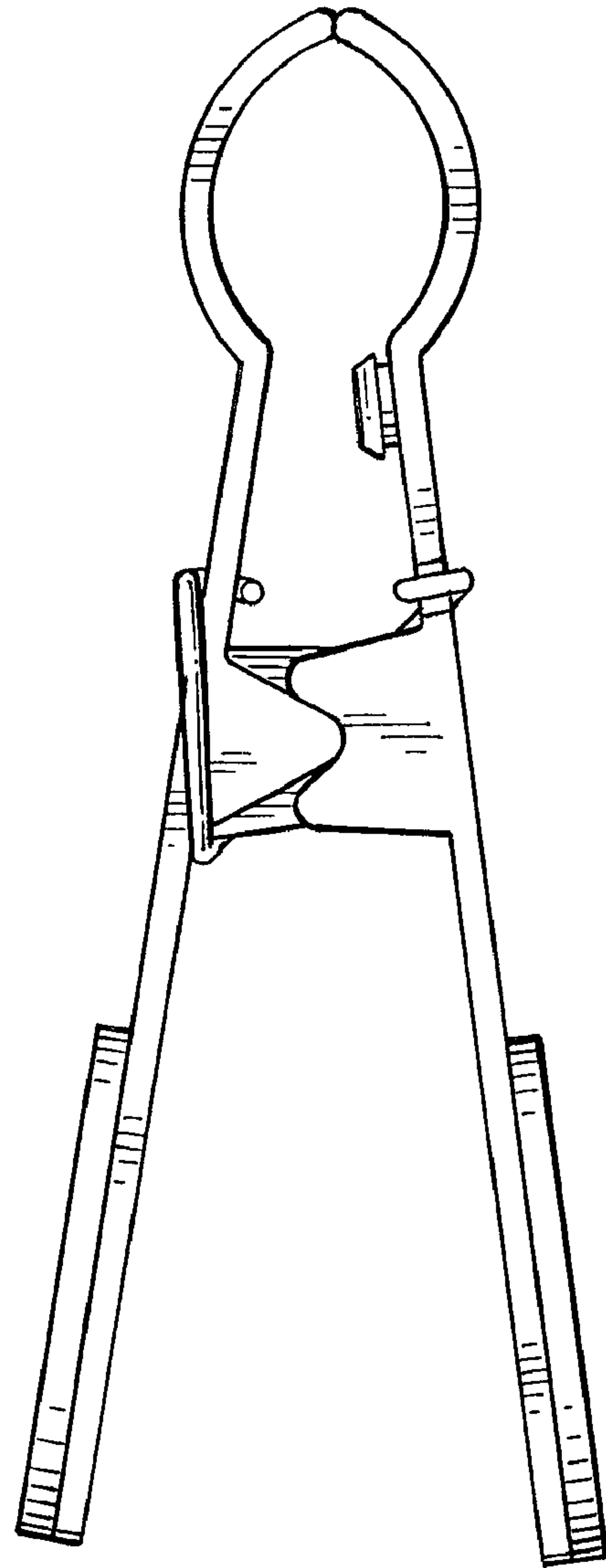


FIG. 2

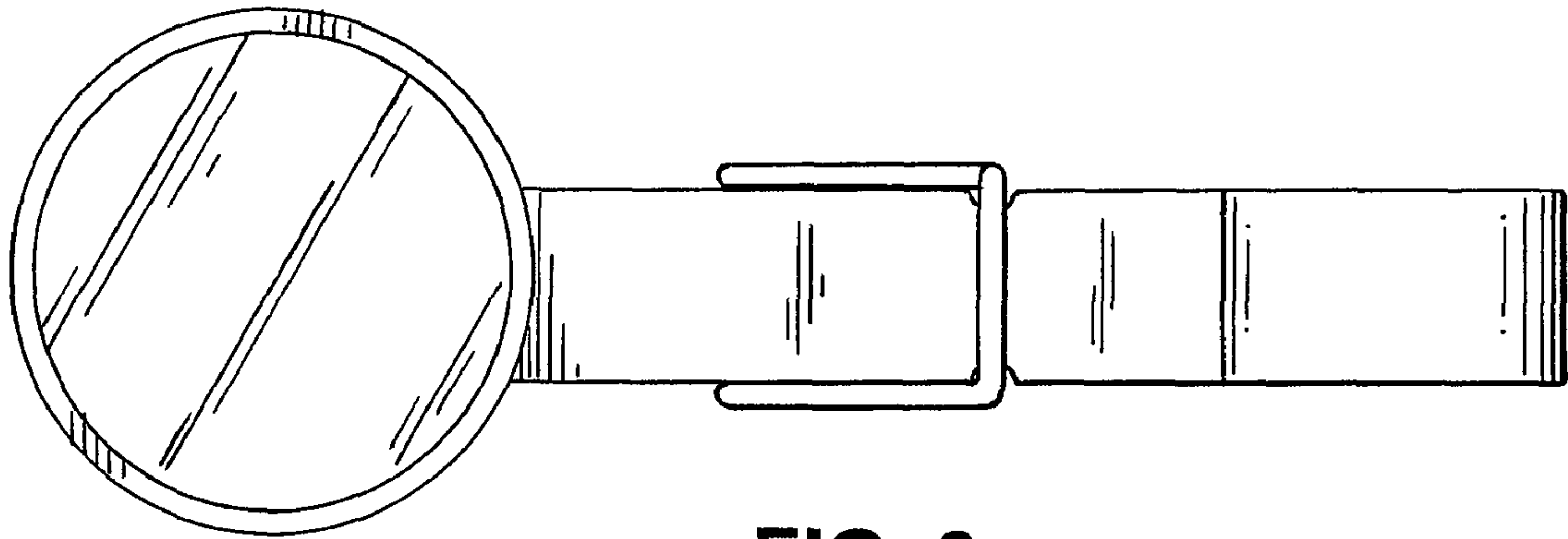


FIG. 3

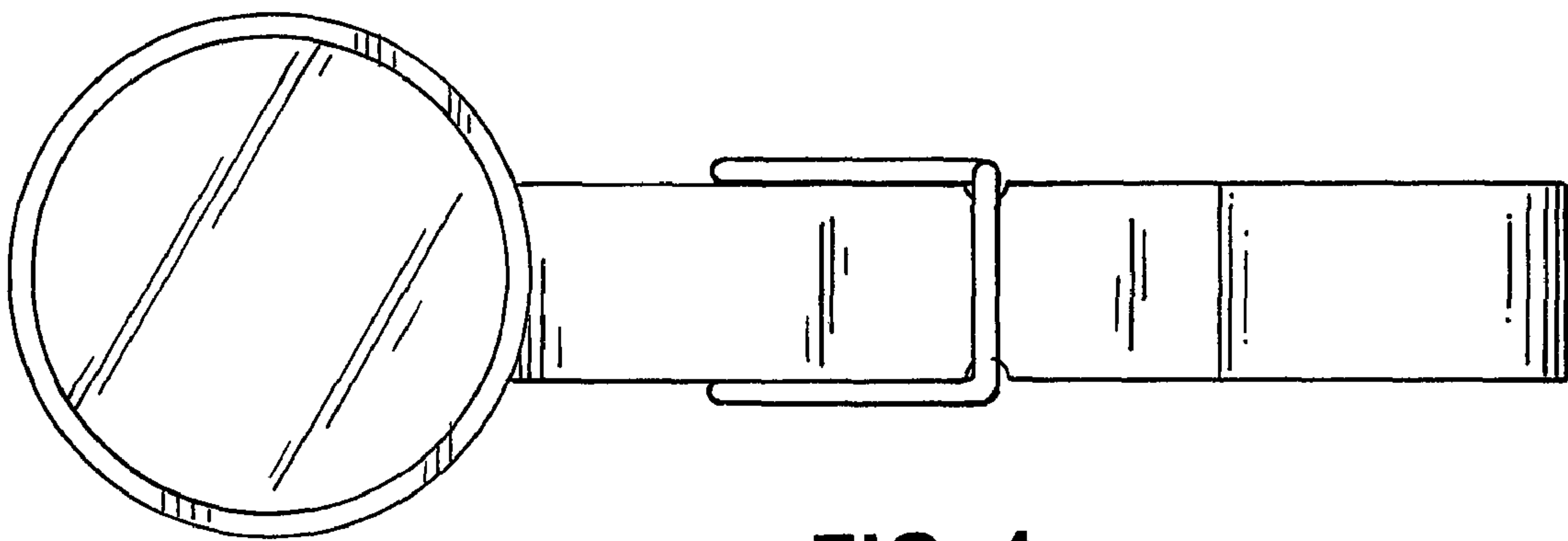


FIG. 4

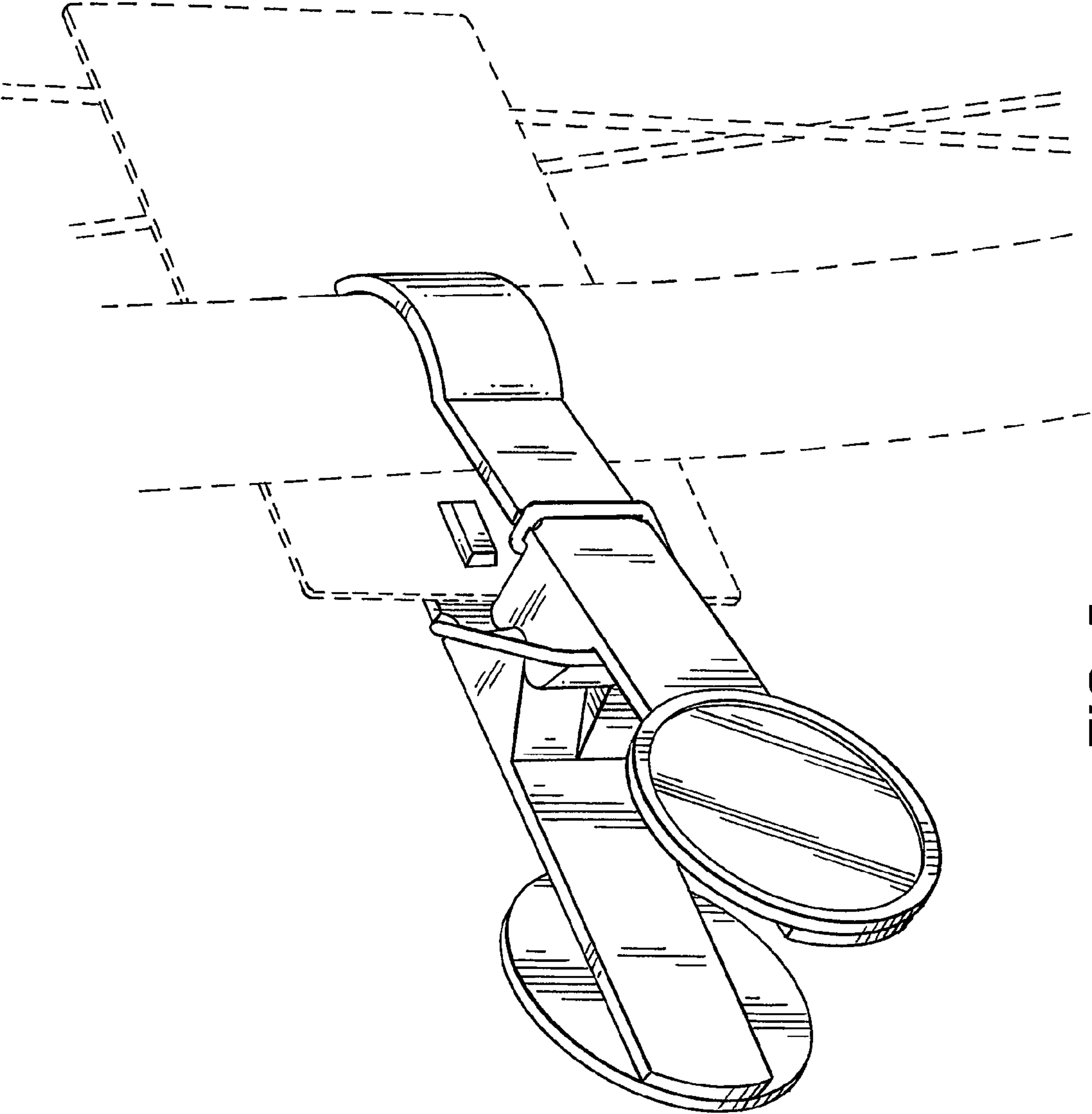


FIG. 5