



US00D677558S

(12) **United States Design Patent**
Frandsen

(10) **Patent No.:** **US D677,558 S**
(45) **Date of Patent:** **** Mar. 12, 2013**

(54) **CLAMP FOR PIPES AND HOSES**
(75) Inventor: **Søren Frandsen**, Dalmose (DK)
(73) Assignee: **SMCP ApS** (DK)
(**) Term: **14 Years**
(21) Appl. No.: **29/398,279**
(22) Filed: **Jul. 28, 2011**

(30) **Foreign Application Priority Data**

Mar. 1, 2011 (EM) 001828401

(51) **LOC (9) Cl.** **08-05**
(52) **U.S. Cl.** **D8/356**
(58) **Field of Classification Search** D8/356,
D8/395, 396, 354, 349, 360, 355, 361, 362,
D8/366, 367, 380, 373, 377; 248/68.1, 304,
248/305, 339, 217.2, 493, 67.5, 74.4, 65,
248/49; D13/155; 411/431, 372.5; D18/34.9,
D18/56; 24/698, 698.1, 16 R; 294/16; 138/106;
446/124; 273/153 R; 439/257
See application file for complete search history.

(56) **References Cited**

U.S. PATENT DOCUMENTS

3,069,805 A * 12/1962 Burrows 446/124
3,964,707 A * 6/1976 Lewis 248/49
4,618,114 A * 10/1986 McFarland 248/65
D417,611 S * 12/1999 van de Lande D8/395

5,996,945 A * 12/1999 Coles et al. 248/68.1
D422,887 S * 4/2000 Potter D8/356
D423,330 S * 4/2000 Potter et al. D8/356
D625,168 S * 10/2010 Chen D8/354
7,806,374 B1 * 10/2010 Ehmann et al. 248/67.5
D649,864 S * 12/2011 Symons D8/356
8,074,945 B2 * 12/2011 Schoenau et al. 248/74.4
2008/0009165 A1 * 1/2008 Tseng 439/257
2010/0132979 A1 * 6/2010 Chen 174/135

* cited by examiner

Primary Examiner — Cynthia Underwood

(74) *Attorney, Agent, or Firm* — St. Onge Steward Johnston & Reens LLC

(57) **CLAIM**

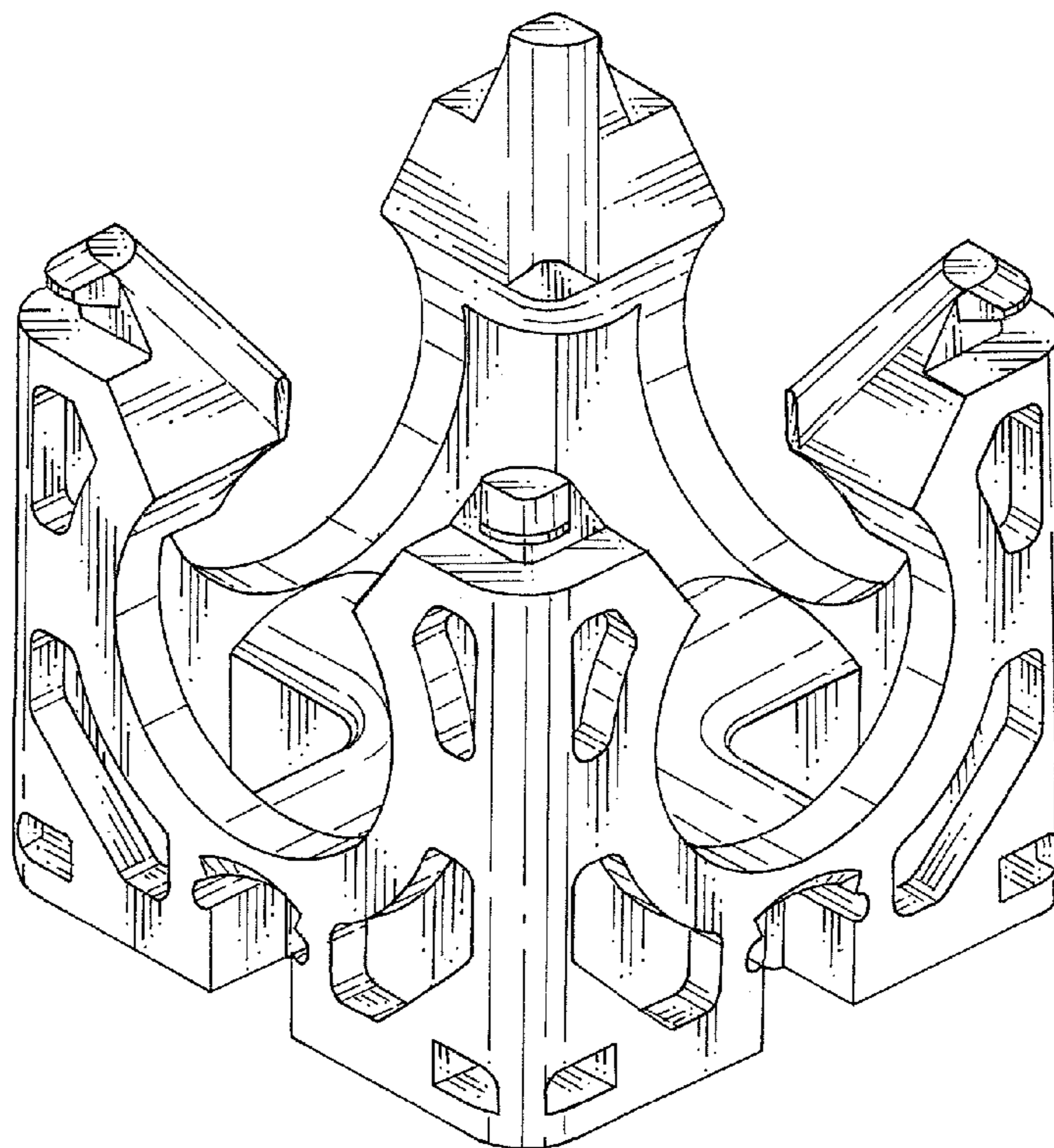
The ornamental design for a clamp for pipes and hoses, as shown and described.

DESCRIPTION

FIG. 1 is a front, left side and top perspective view of a clamp for pipes and hoses in accordance with the new design; FIG. 2 is a front elevation view thereof; FIG. 3 is a rear elevation thereof; FIG. 4 is a left elevation view thereof; and FIG. 5 is a right elevation view thereof; FIG. 6 is a top plan view thereof; and, FIG. 7 is a bottom plan view thereof.

The broken lines and the area enclosed by broken lines shown in FIGS. 6 and 7 are for illustrative purposes only and form no part of the claimed design.

1 Claim, 7 Drawing Sheets



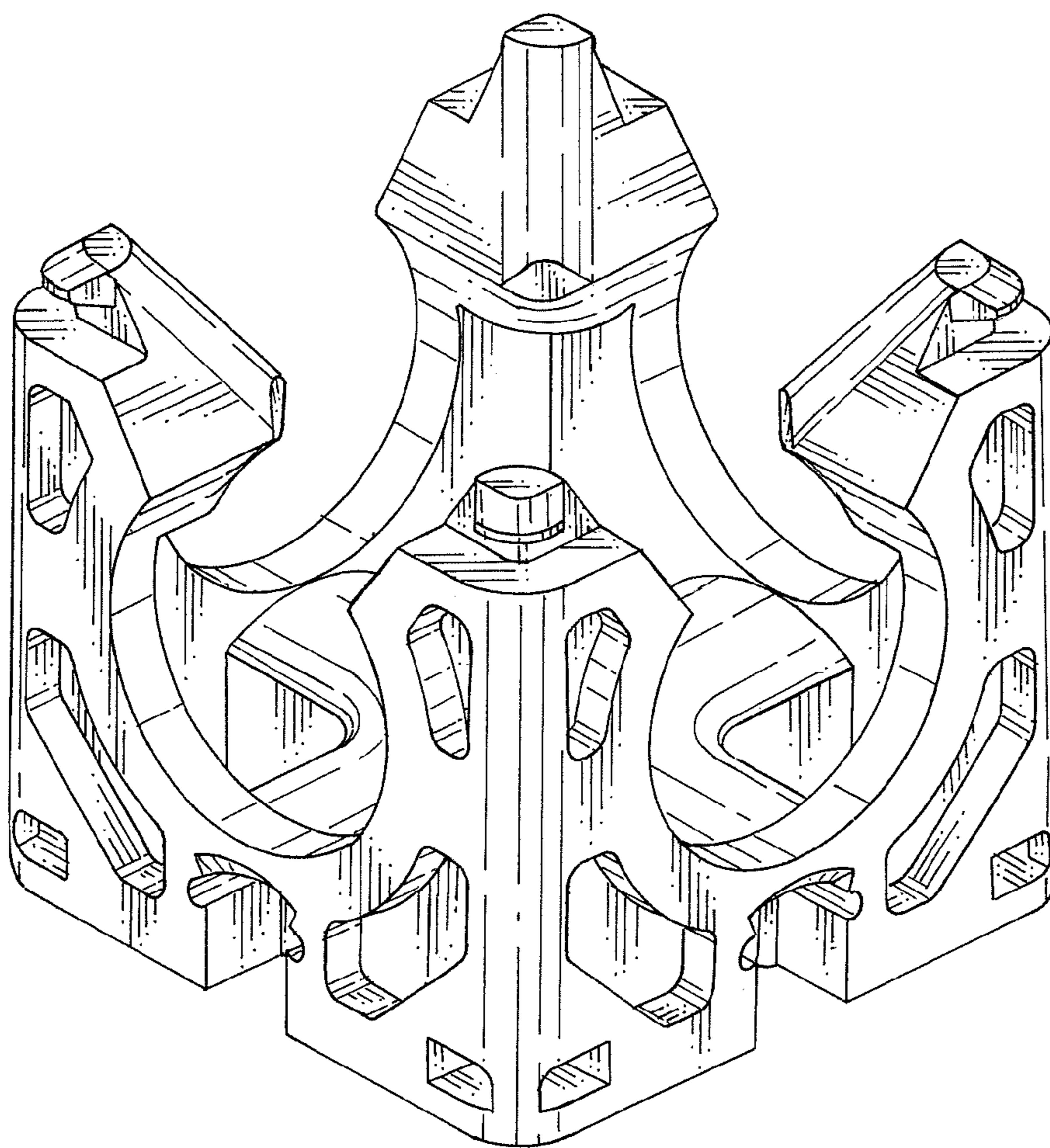


FIG. 1

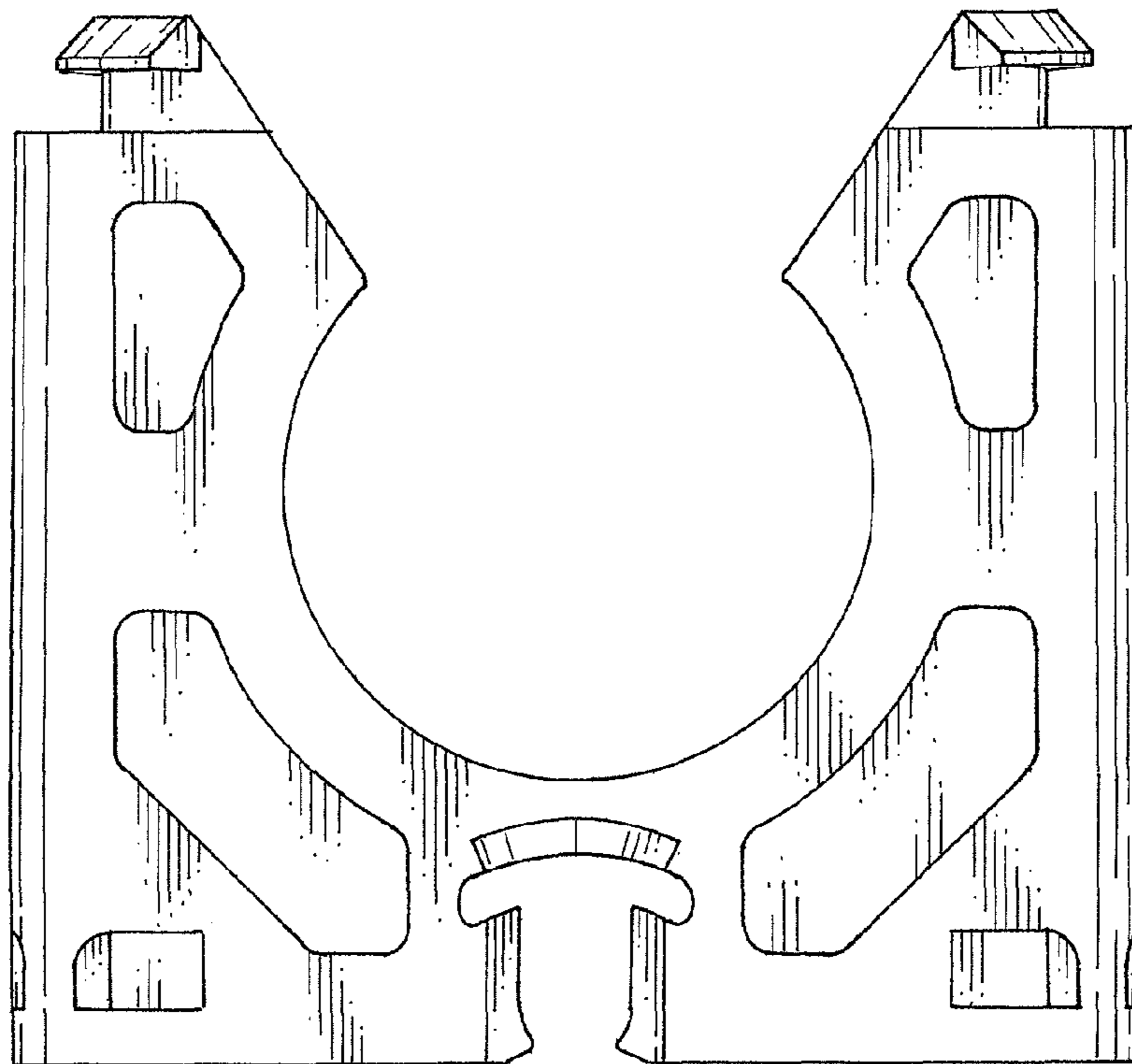


FIG. 2

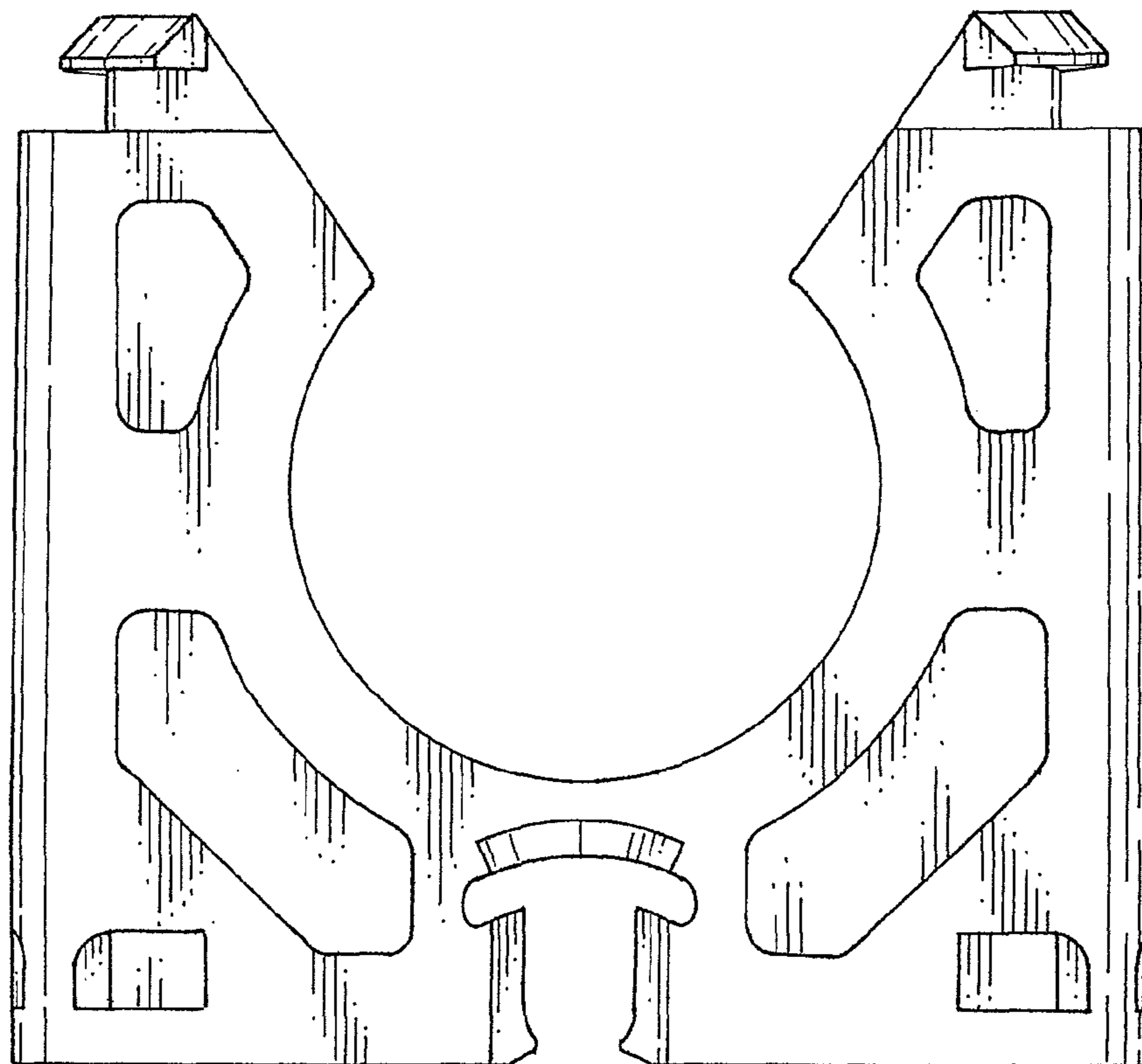


FIG. 3

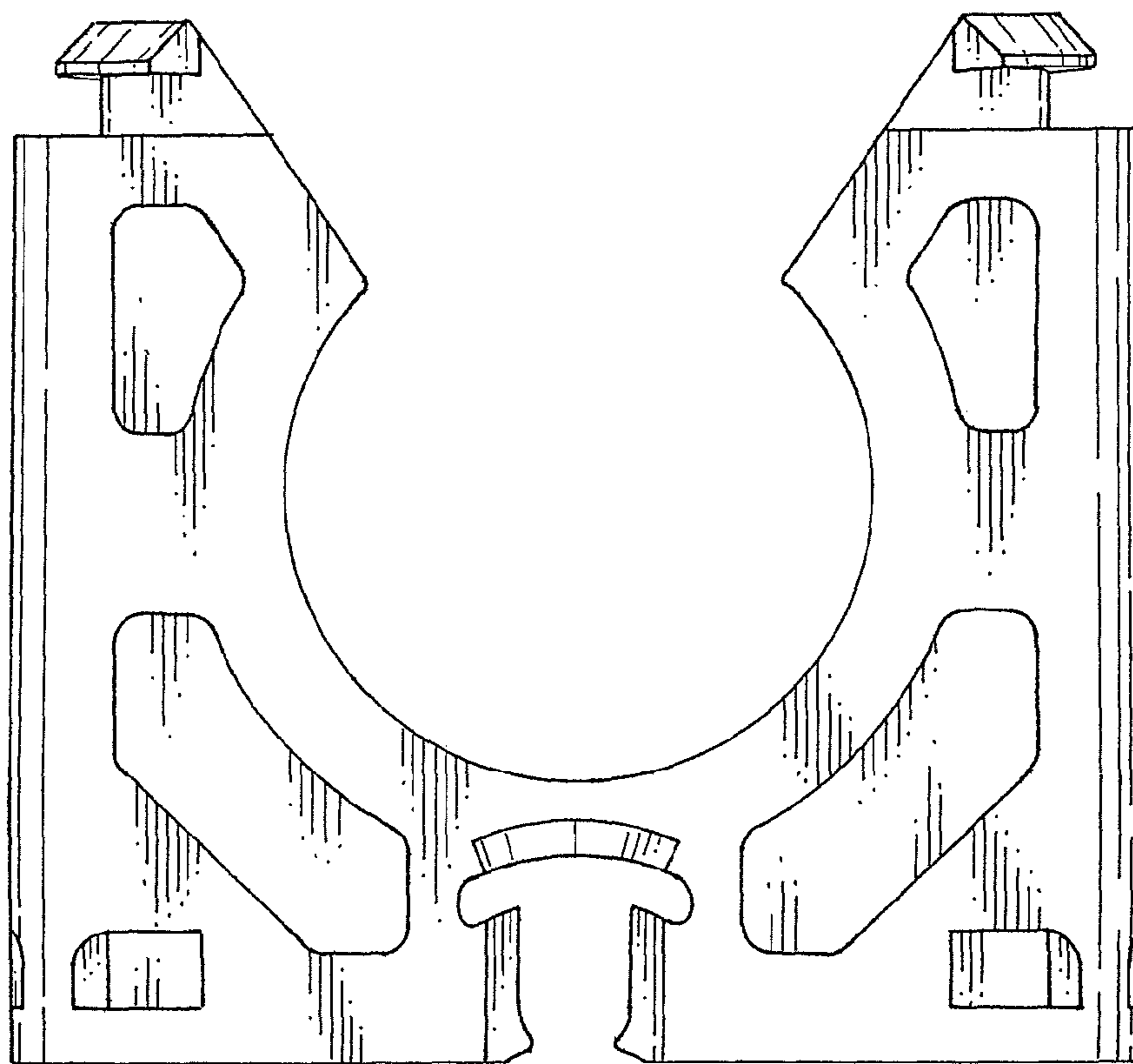


FIG. 4

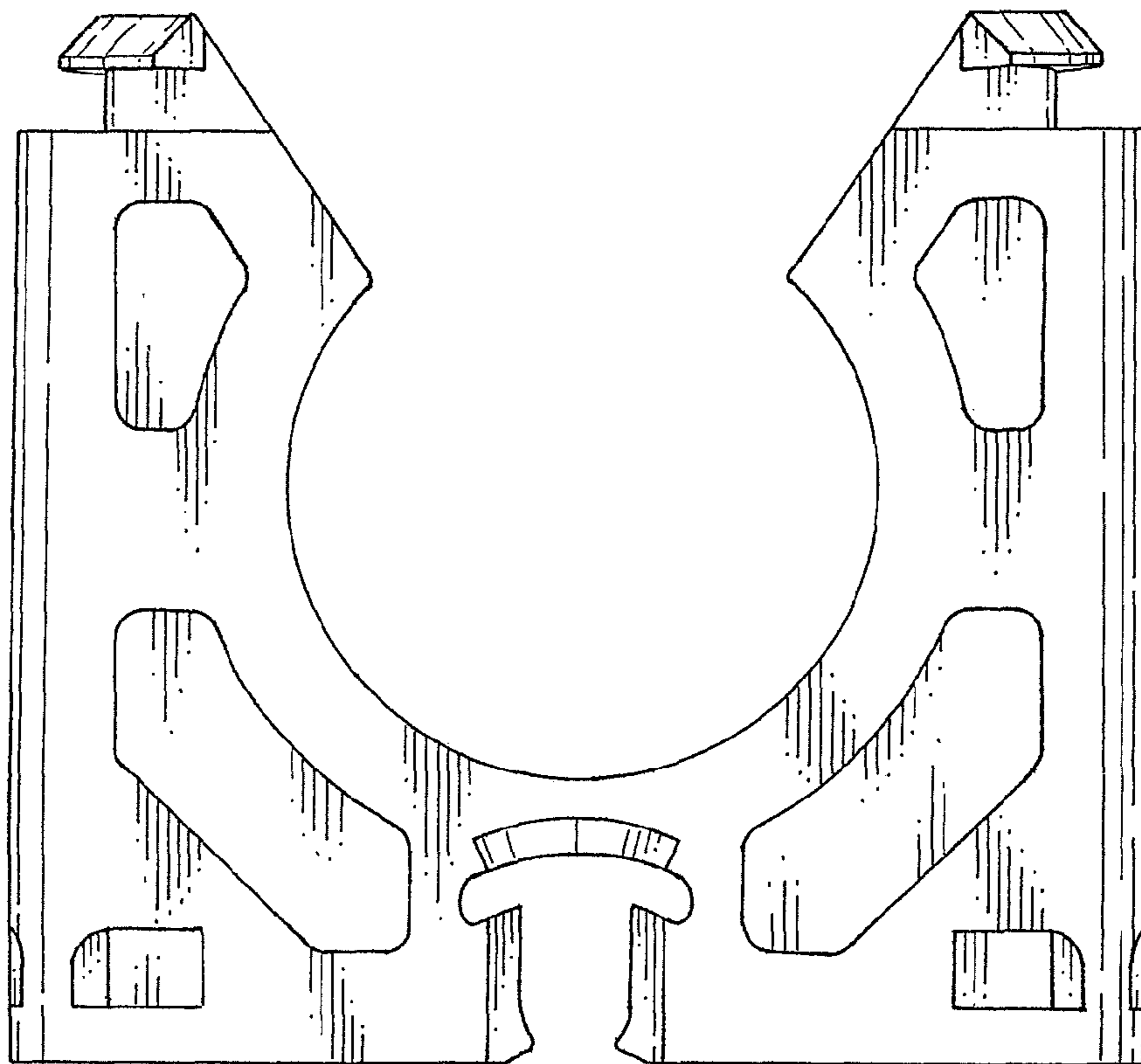


FIG. 5

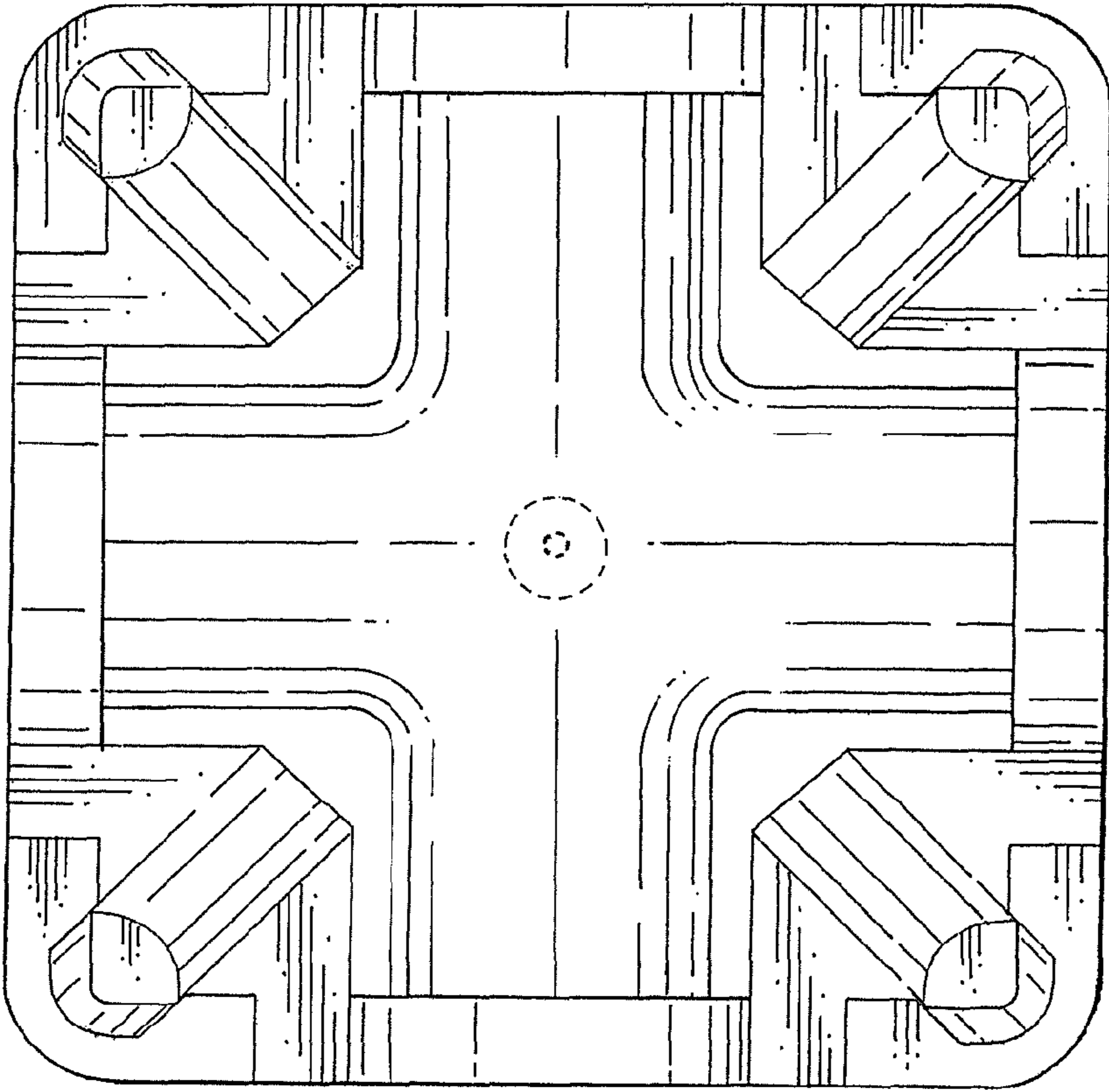


FIG. 6

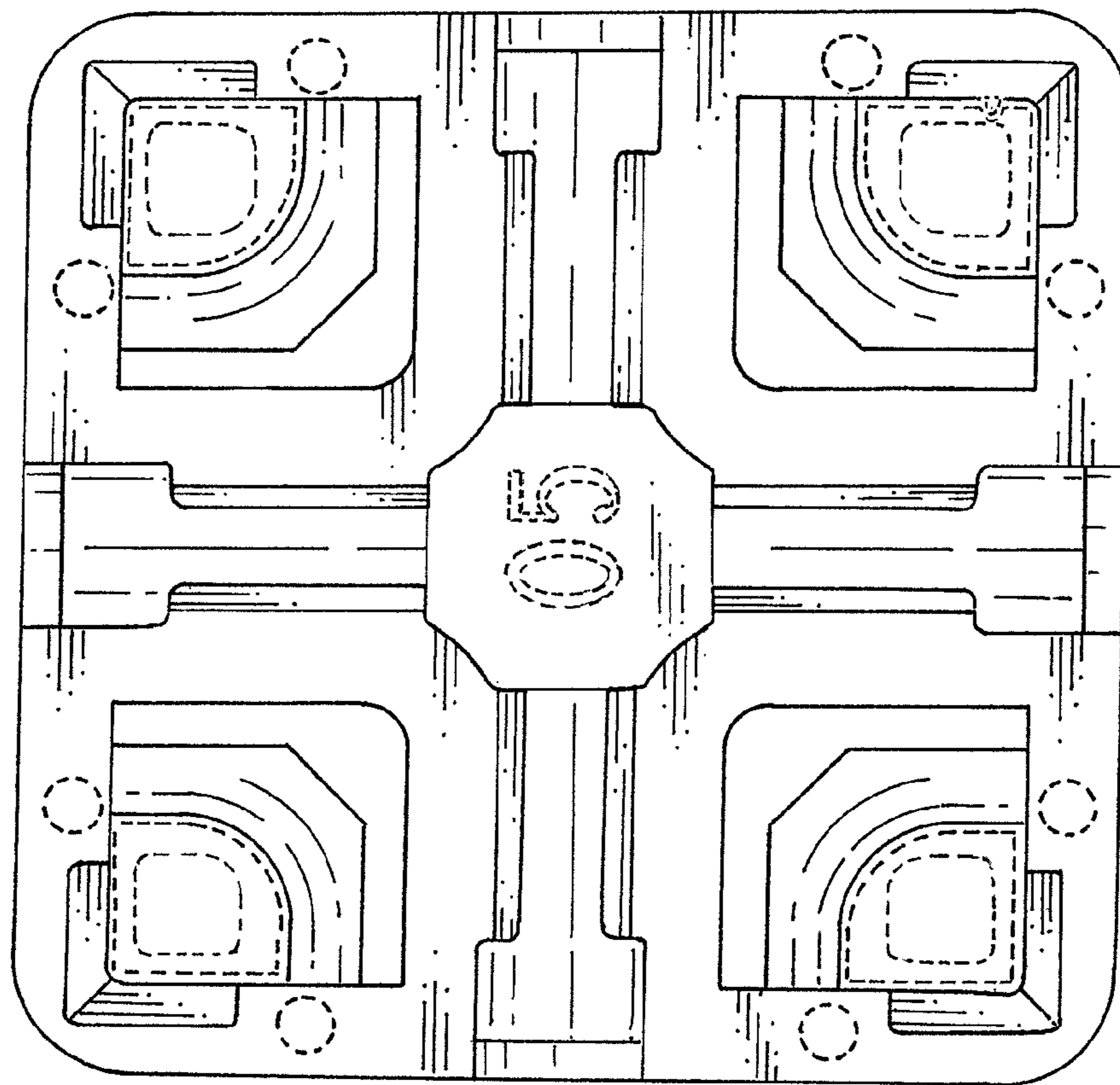


FIG. 7