



US00D677557S

(12) **United States Design Patent**
Drake

(10) **Patent No.:** **US D677,557 S**
(45) **Date of Patent:** **** Mar. 12, 2013**

(54) **SHOCK LINER**

(76) Inventor: **Robert Allan Drake**, Grants Pass, OR
(US)

(**) Term: **14 Years**

(21) Appl. No.: **29/393,377**

(22) Filed: **Jun. 3, 2011**

(51) **LOC (9) Cl.** **08-07**

(52) **U.S. Cl.** **D8/349**

(58) **Field of Classification Search** D1/100,
D1/127-130, 199; D11/10-11, 26-28, 40-43,
D11/75, 89-93; D28/8.1; D21/386; D24/100-101;
119/702, 707-711; D8/354, 380, 395, 399;
16/2.1-2.5; 267/292-64.28, 108-109
See application file for complete search history.

(56) **References Cited**

U.S. PATENT DOCUMENTS

875,985	A *	1/1908	Conery	510/149
1,628,090	A *	5/1927	Weiss	428/169
1,948,327	A *	2/1934	Berwick	428/138
2,373,798	A *	4/1945	Williams	248/634
2,512,310	A *	6/1950	Corson	15/215
2,667,654	A *	2/1954	Peterson	15/215
2,975,089	A *	3/1961	Hargreaves	428/168
3,107,377	A *	10/1963	Nathan	14/73.1
3,345,245	A *	10/1967	Hanusa	428/160
3,436,042	A *	4/1969	Van Goubergen	248/636
3,635,535	A *	1/1972	Schultenkamper	384/371
3,884,457	A *	5/1975	Leko	267/162
4,002,315	A *	1/1977	Van Goubergen	248/633
4,273,213	A *	6/1981	Munz	181/207
4,727,695	A *	3/1988	Kemeny	52/167.8
5,433,052	A *	7/1995	Niese	52/403.1
6,063,404	A *	5/2000	Timpe et al.	424/464

D500,576	S *	1/2005	Kraus	D1/199
6,986,530	B2 *	1/2006	Lagsdin	280/766.1
7,008,686	B1 *	3/2006	Rogers	428/178
D550,899	S *	9/2007	Yanagi	D28/4
7,300,032	B2 *	11/2007	Williams et al.	248/633
7,419,145	B2 *	9/2008	Lee et al.	267/205
2011/0214361	A1 *	9/2011	Ingjaldsdottir et al.	52/79.1

OTHER PUBLICATIONS

http://www.swmanufacturing.com/parts_category.asp?TYP_ID=16[Nov. 7, 2012 9:31:45 AM].*

* cited by examiner

Primary Examiner — Michael Pratt

(74) *Attorney, Agent, or Firm* — Jerry Haynes Law

(57) **CLAIM**

The ornamental design for a shock liner, as shown and described.

DESCRIPTION

FIG. 1 is a top perspective view of a shock liner showing the new design, the precise length of the shock liner is not claimed;

FIG. 2 is a top view thereof;

FIG. 3 is a bottom view thereof;

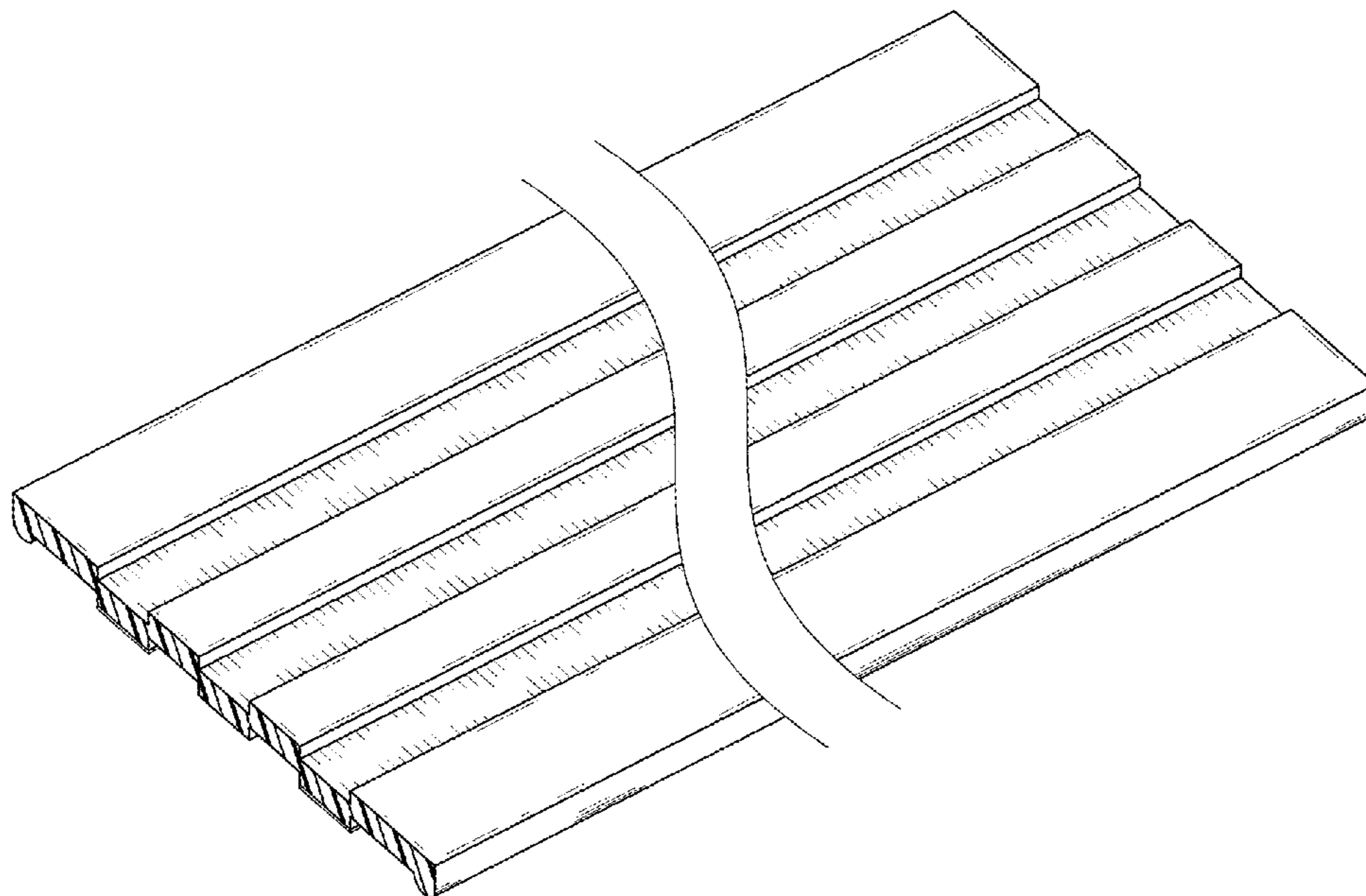
FIG. 4 is a front view thereof, the back view being the same image thereof;

FIG. 5 is a right side view thereof, the left side view being the same image thereof; and,

FIG. 6 is a top perspective view thereof of the design in the context in which it is intended to be used, the dashed lines form no part of the claimed design.

The design is shown broken apart along its length to indicate that no specific length is claimed.

1 Claim, 3 Drawing Sheets



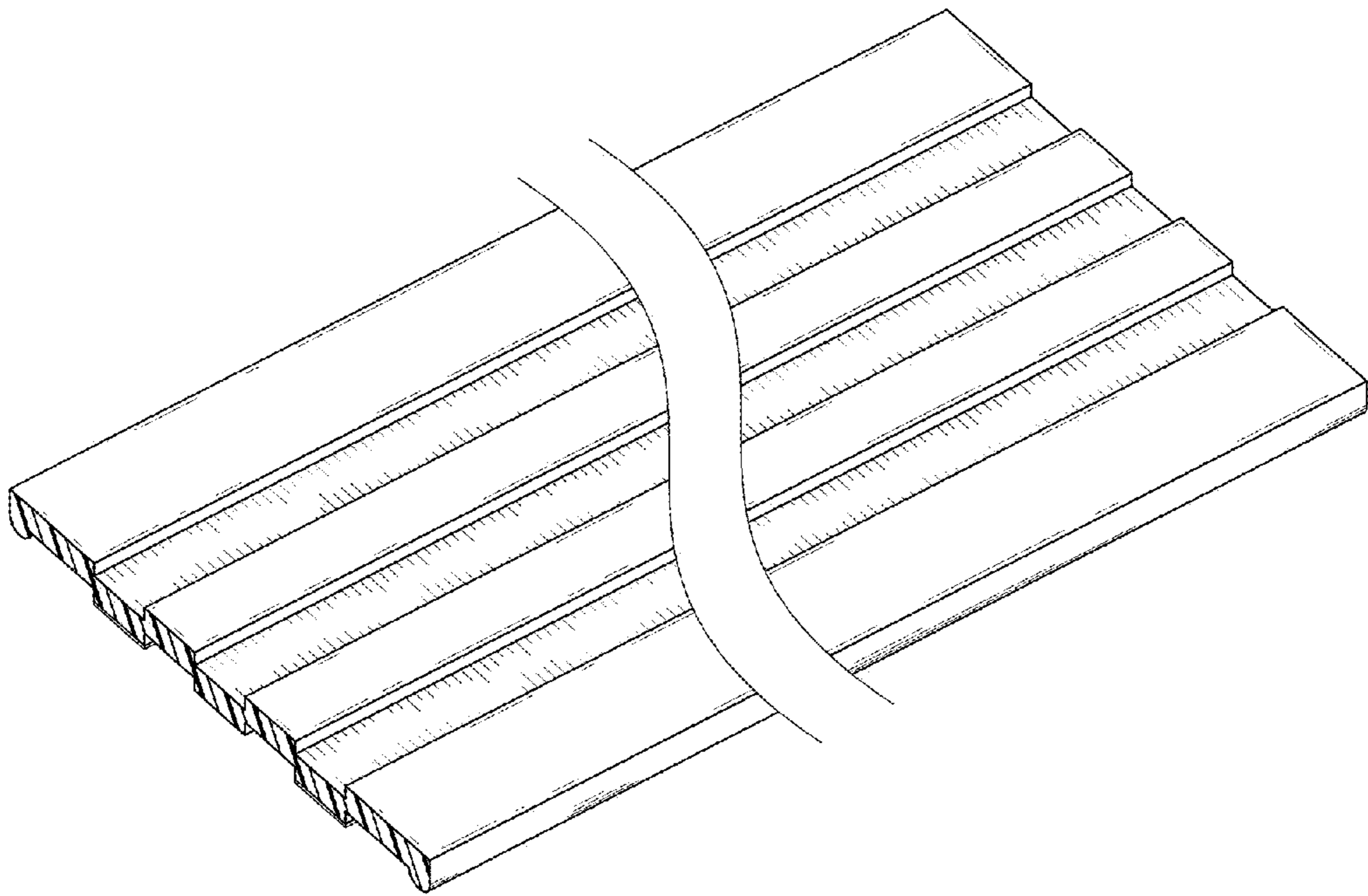


FIG. 1

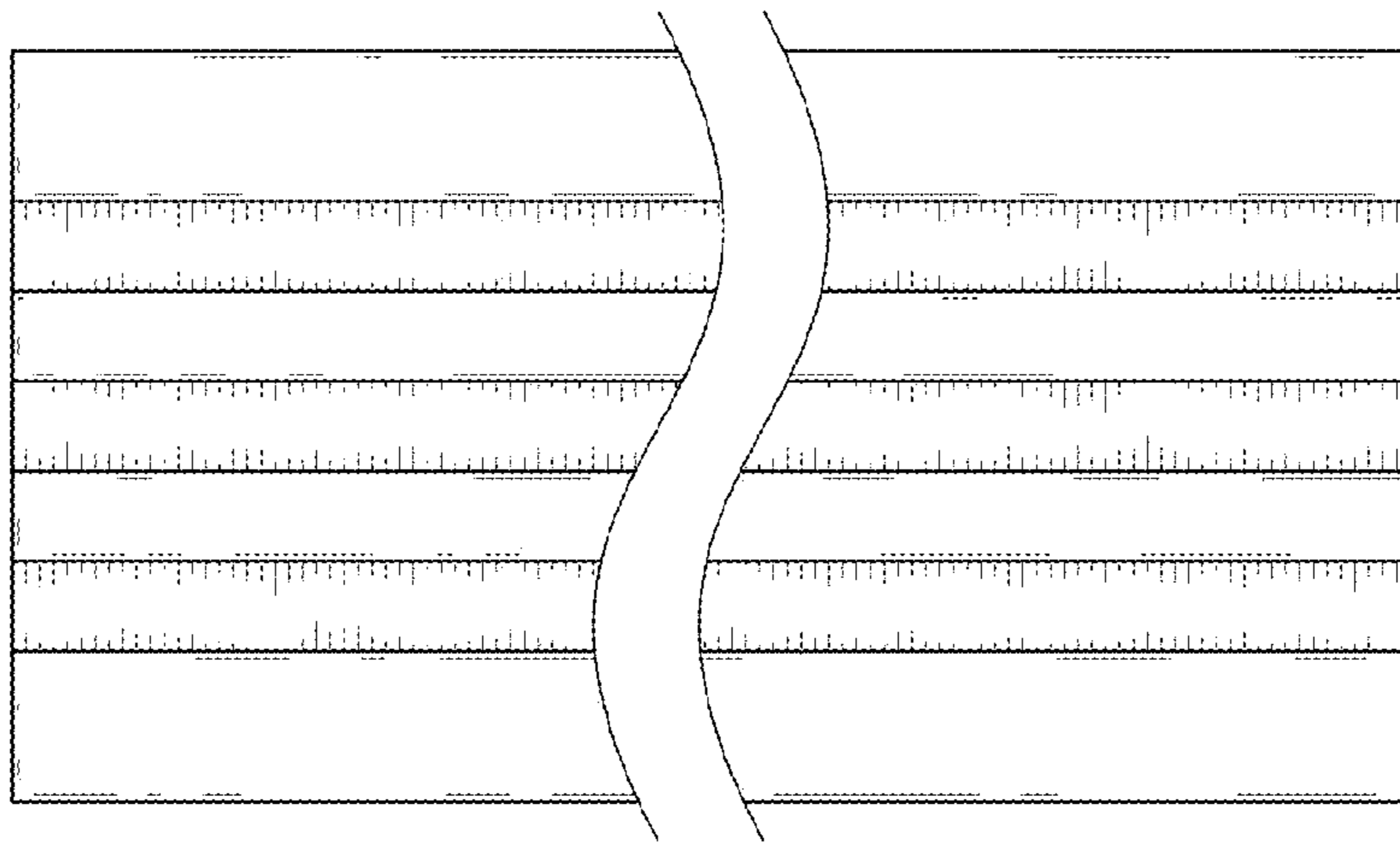


FIG. 2

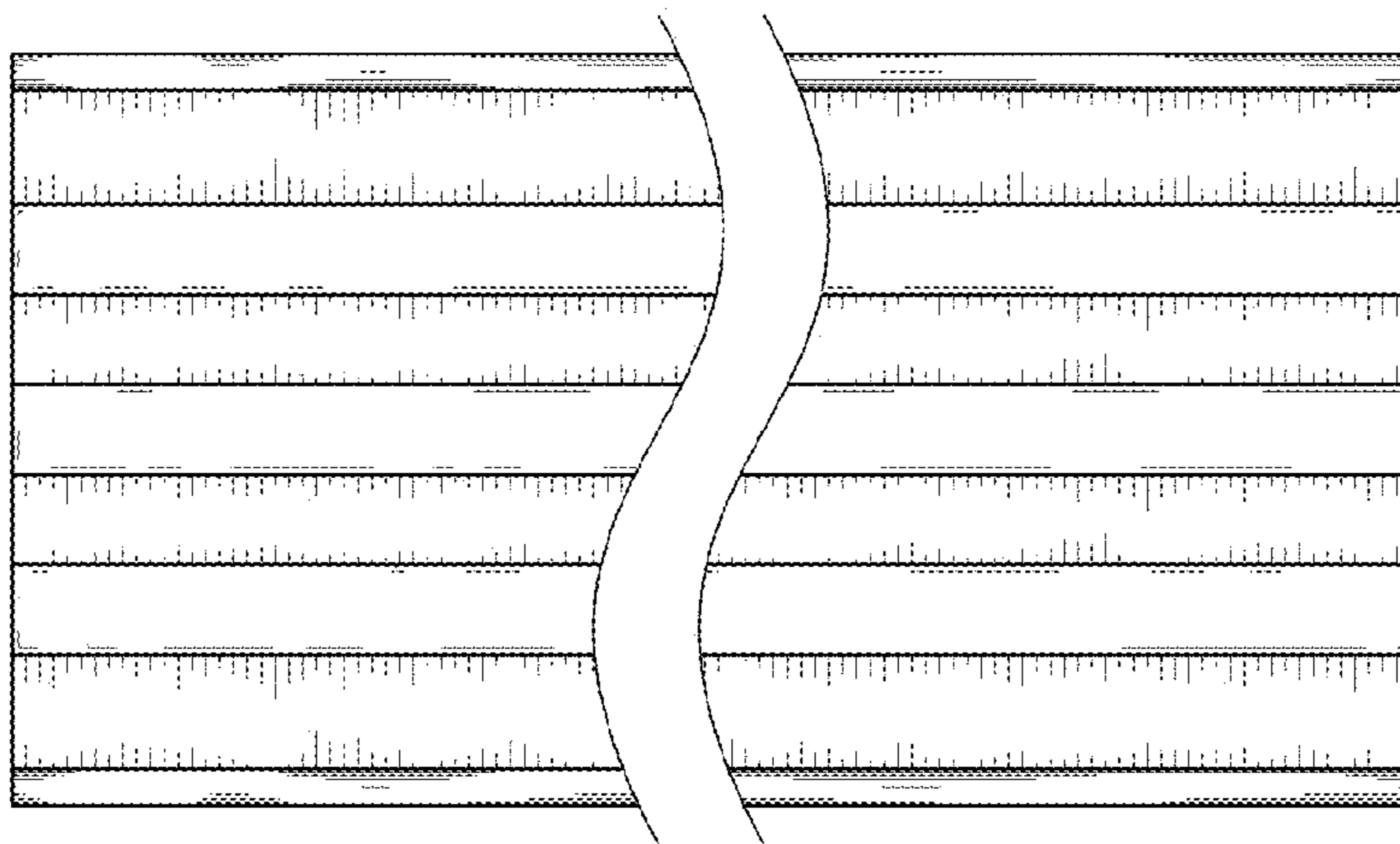


FIG. 3



FIG. 4

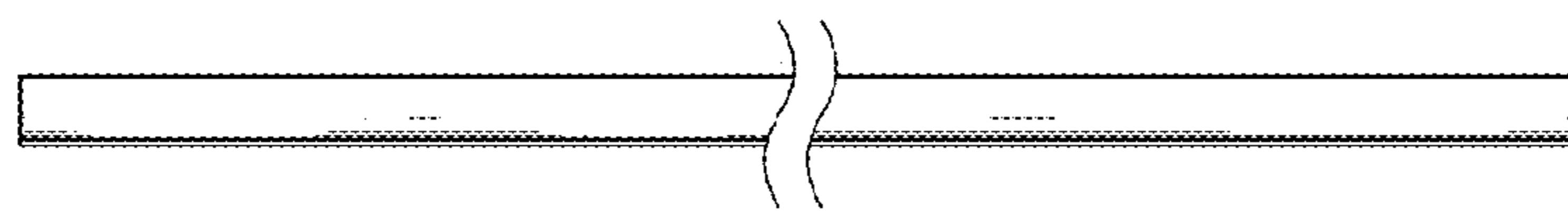


FIG. 5

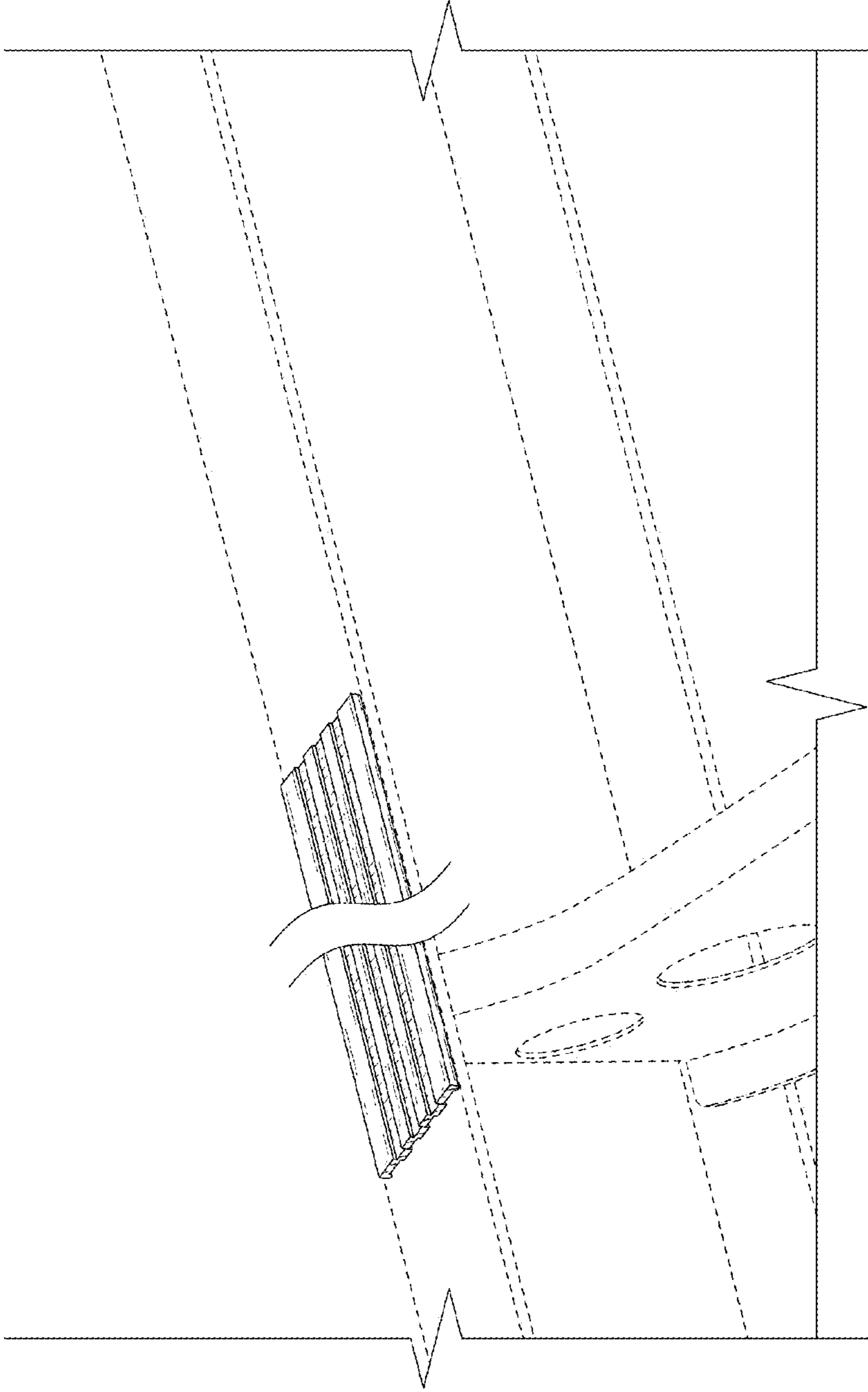


FIG. 6