



US00D677556S

(12) **United States Design Patent**  
**Coco**

(10) **Patent No.:** **US D677,556 S**  
(45) **Date of Patent:** **\*\* Mar. 12, 2013**

(54) **SECURITY SEAL**

(75) Inventor: **Robert Frank Coco**, Oakleigh (AU)

(73) Assignee: **Teeco International, Inc.**, Hanover Township, PA (US)

(\*\*) Term: **14 Years**

(21) Appl. No.: **29/396,876**

(22) Filed: **Jul. 8, 2011**

(51) **LOC (9) Cl.** ..... **08-07**

(52) **U.S. Cl.** ..... **D8/333**

(58) **Field of Classification Search** ..... D8/330,  
D8/331, 398, 394, 343, 499, 333; 70/57,  
70/57.1, 426, 465, 466, 431, 419, 422, DIG. 26;  
220/260, 265, 266, 277; 292/307 R, 307 A,  
292/317, 320, 327

See application file for complete search history.

(56) **References Cited**

U.S. PATENT DOCUMENTS

4,793,644	A *	12/1988	Swift	.....	292/320
D347,157	S *	5/1994	Brown	.....	D8/333
6,116,666	A *	9/2000	Adamson et al.	.....	292/307 R
D457,417	S *	5/2002	De Lima Castro	.....	D8/333
6,390,519	B1 *	5/2002	Dreisbach et al.	.....	292/307 R
D477,525	S *	7/2003	Ling	.....	D8/330

6,869,113	B2 *	3/2005	Burt	.....	292/307 R
6,918,620	B2 *	7/2005	Crisp	.....	292/317
7,370,892	B2 *	5/2008	Collingham	.....	292/329
7,616,116	B2 *	11/2009	Ehrensverd et al.	.....	340/571
D609,076	S *	2/2010	Stevenson et al.	.....	D8/330
7,825,811	B2 *	11/2010	Chan et al.	.....	340/572.9
8,052,180	B1 *	11/2011	Lassen	.....	292/307 A

\* cited by examiner

*Primary Examiner* — Prabhakar Deshmukh

(74) *Attorney, Agent, or Firm* — Robert P. Michal; Lucas & Mercanti, LLP

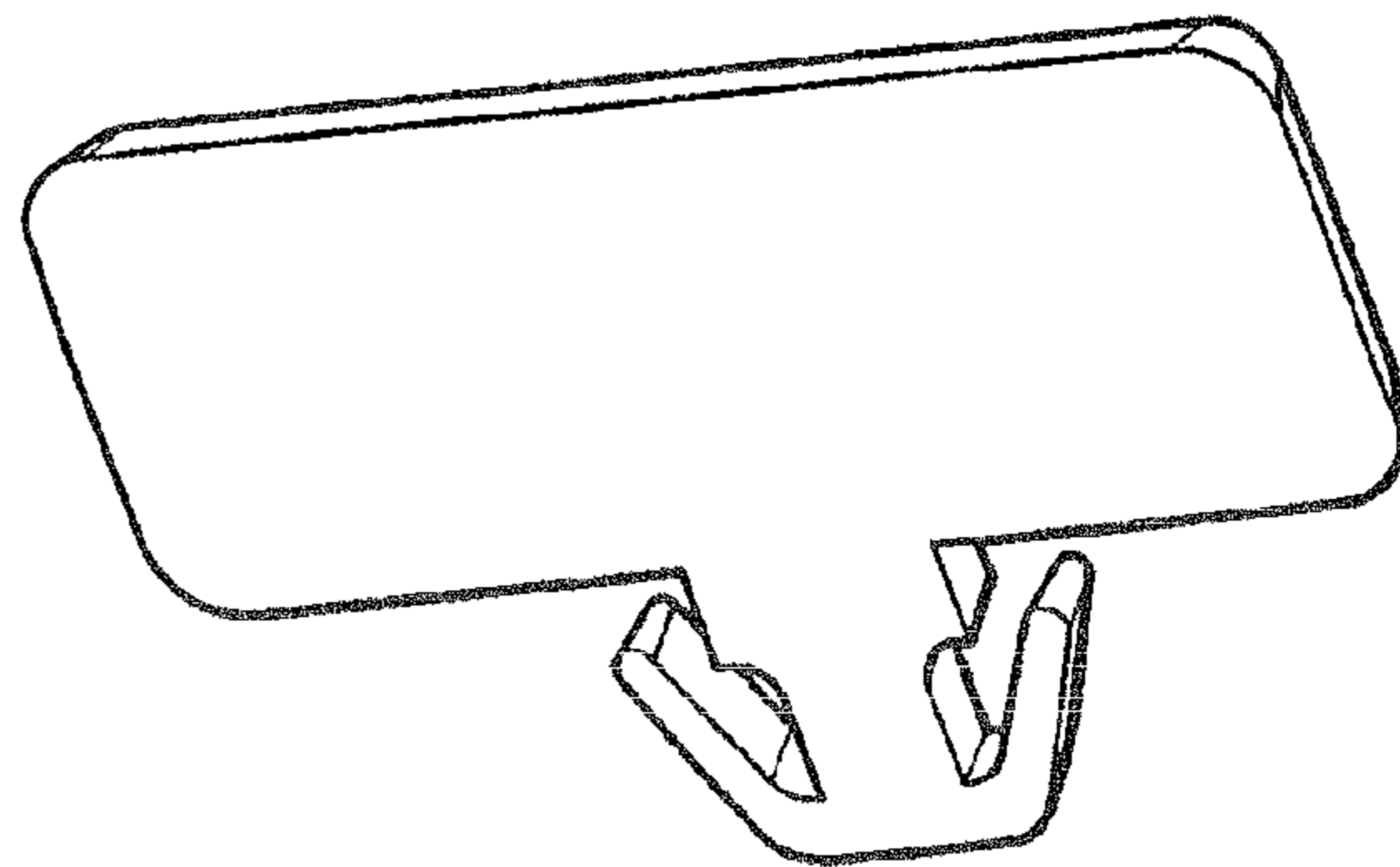
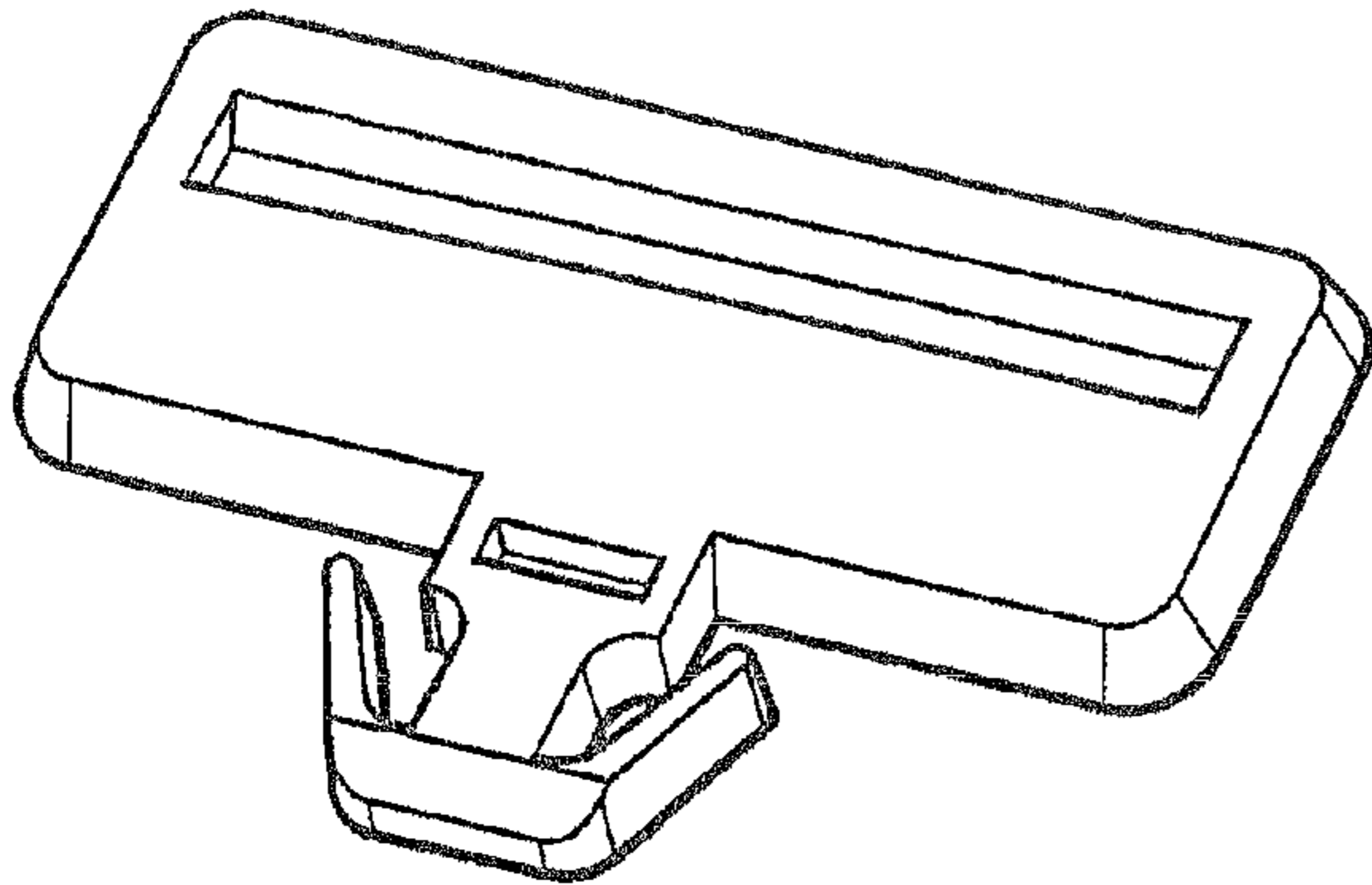
(57) **CLAIM**

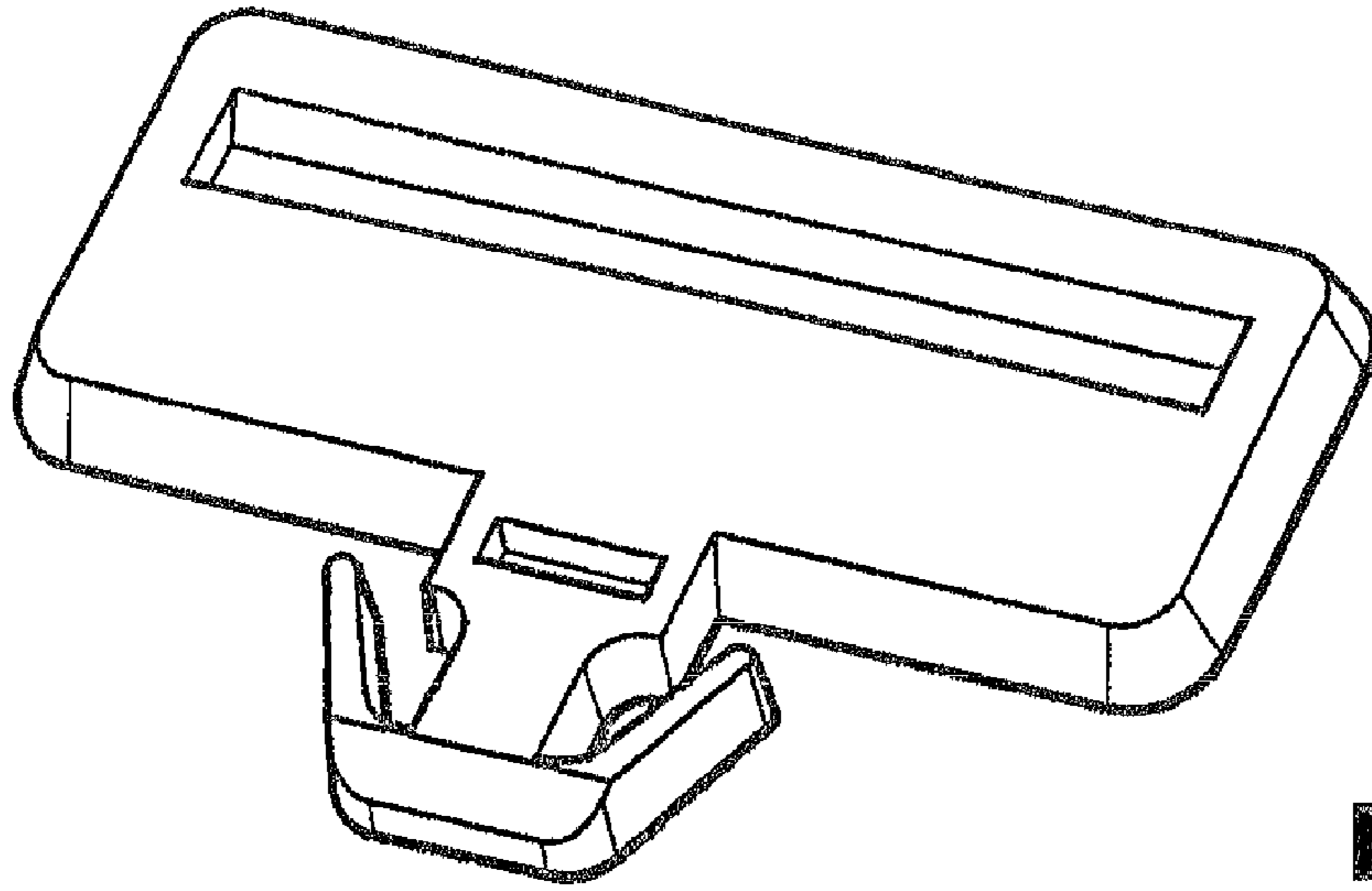
The ornamental design for a security seal, as shown and described.

**DESCRIPTION**

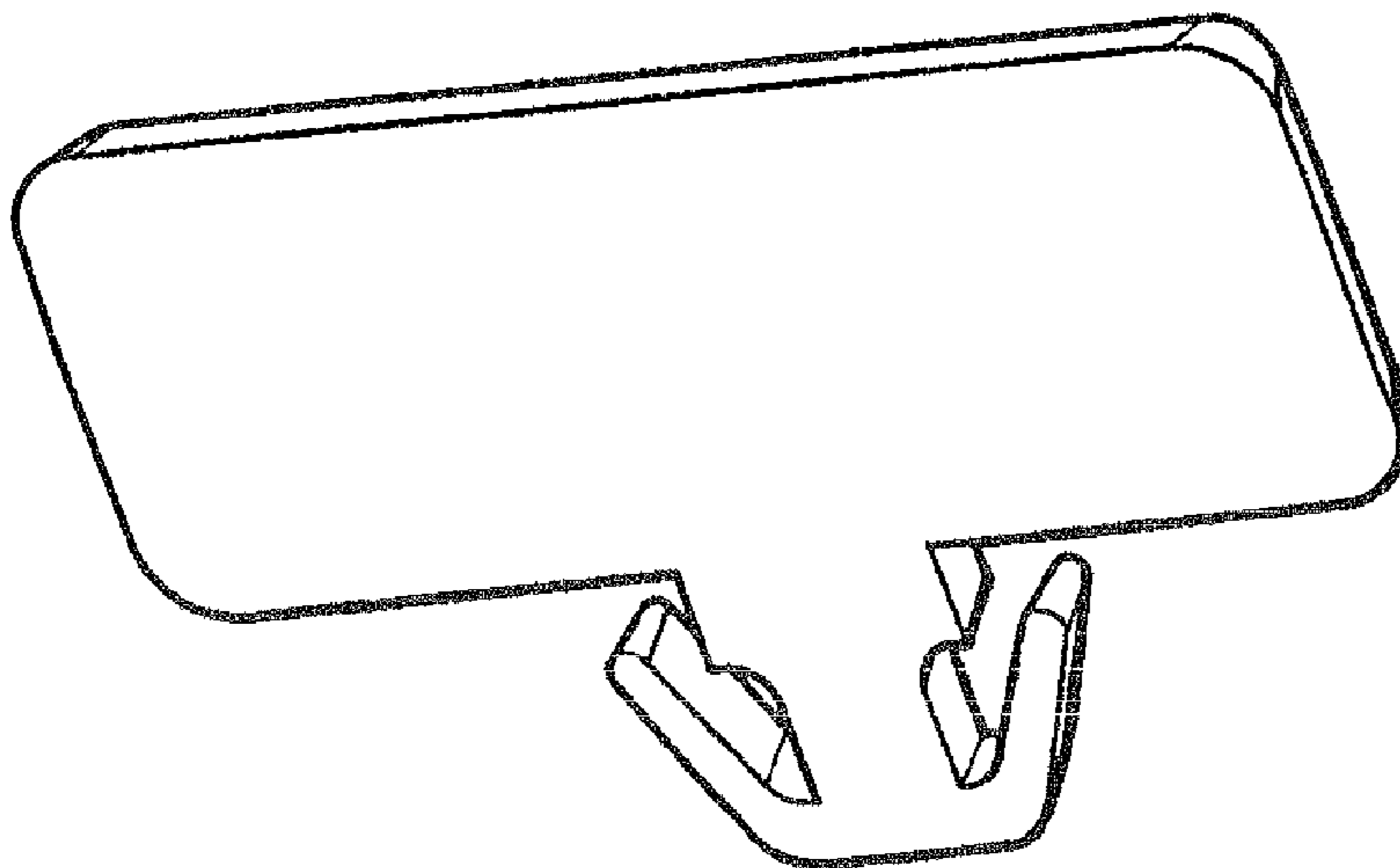
FIG. 1 is a bottom perspective view of the security seal showing my new design;  
FIG. 2 is a top perspective view thereof;  
FIG. 3 is a rear view thereof;  
FIG. 4 is a left side view thereof;  
FIG. 5 is a bottom view thereof;  
FIG. 6 is a right side view thereof;  
FIG. 7 is a front view thereof;  
FIG. 8 is a top view thereof; and,  
FIG. 9 is a section view along A-A of FIG. 5.

**1 Claim, 2 Drawing Sheets**





**FIG. 1**



**FIG. 2**

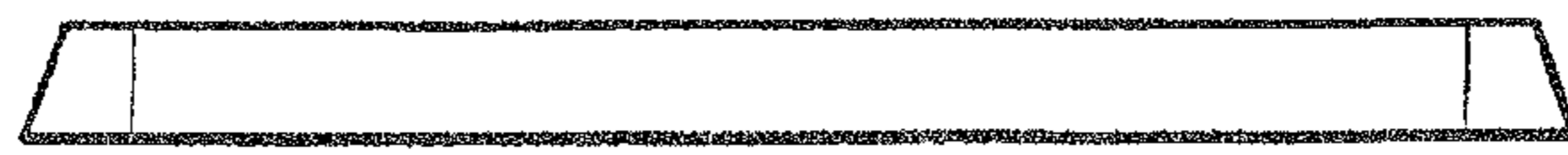


FIG. 3

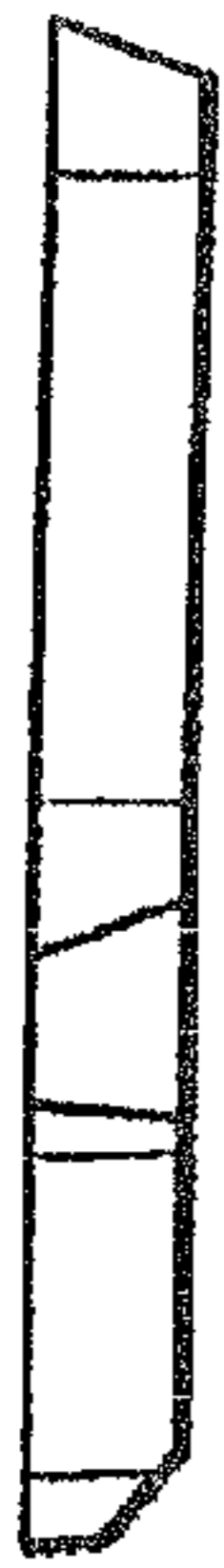


FIG. 4

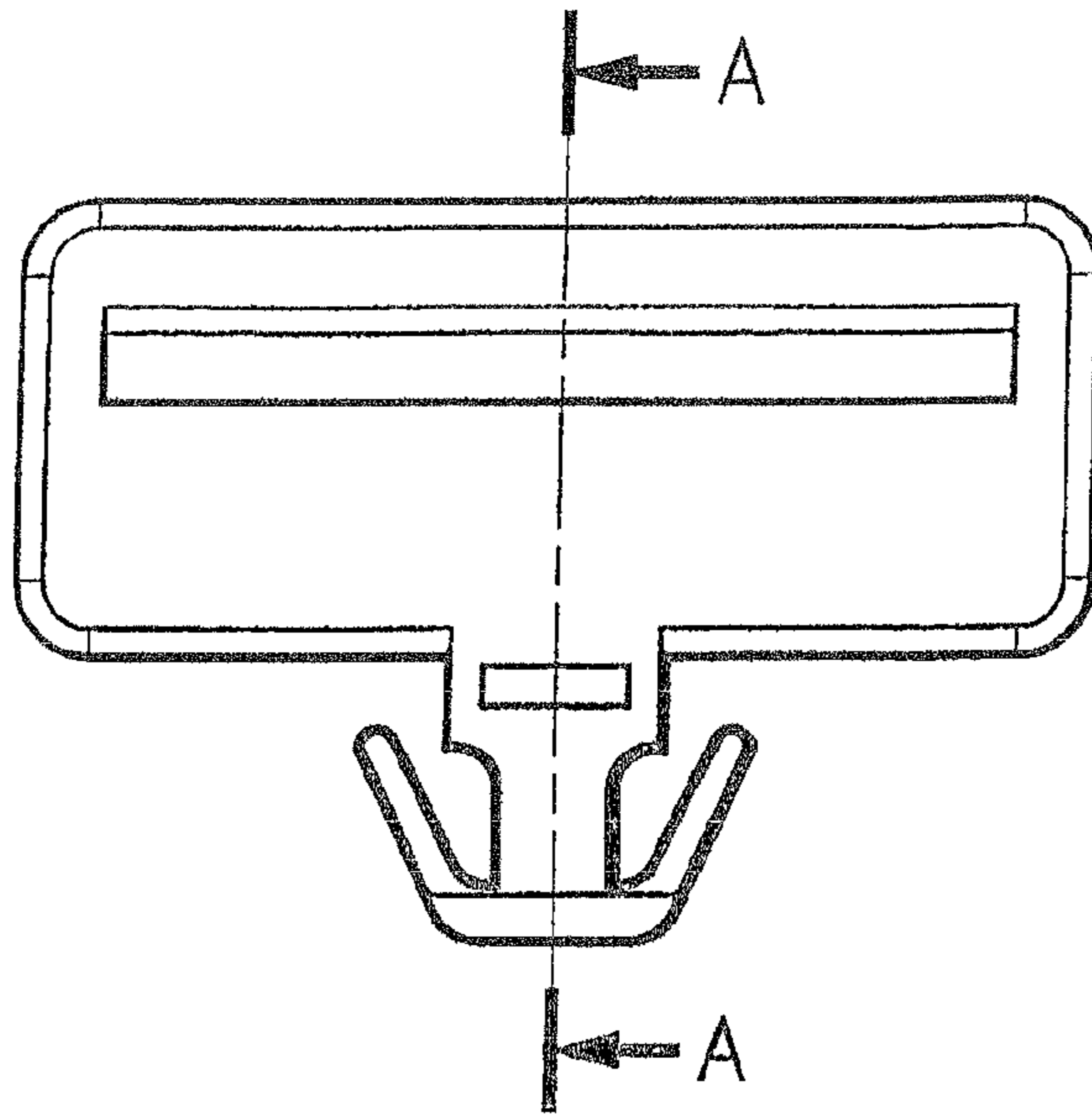


FIG. 5



FIG. 6



FIG. 7

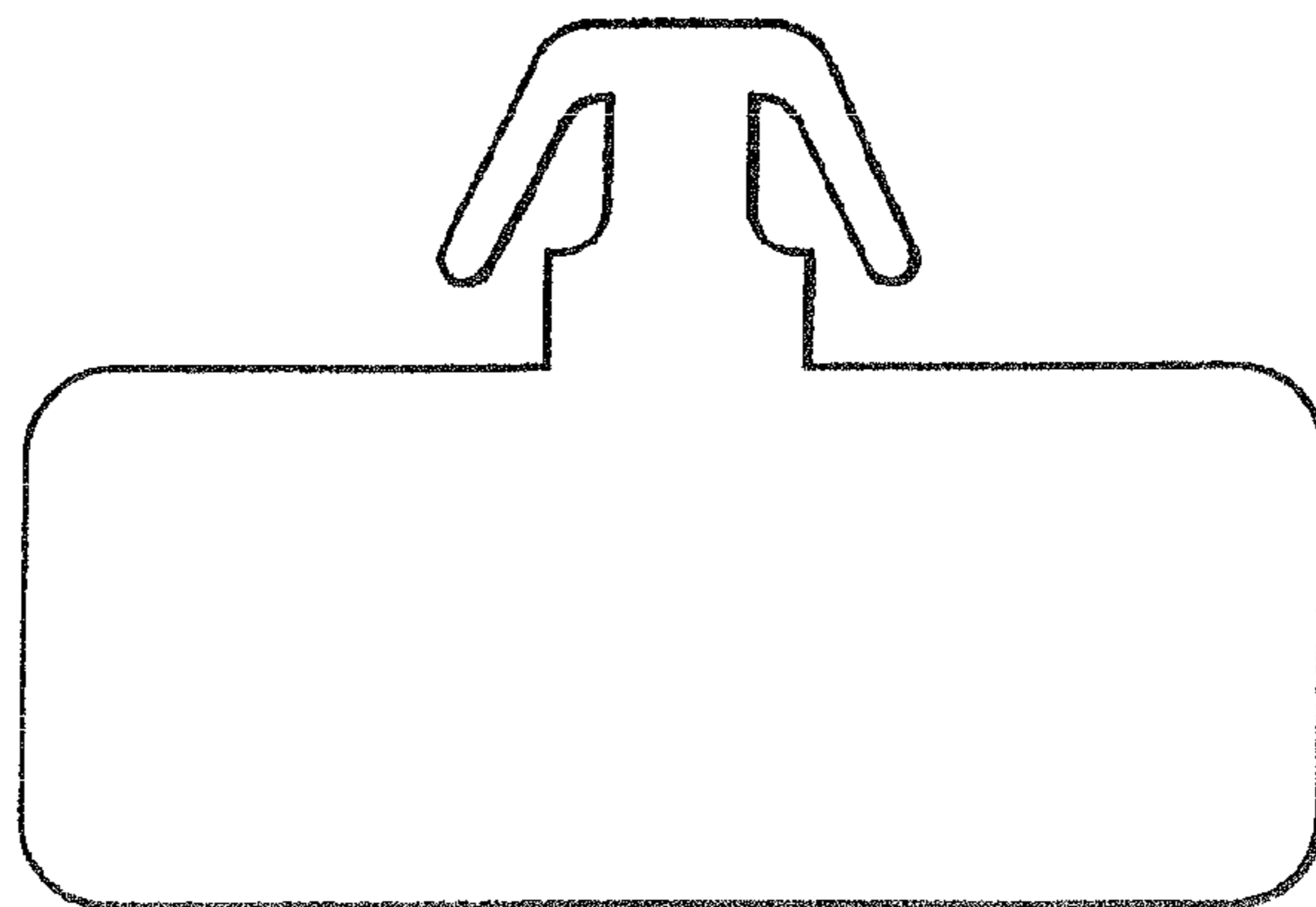


FIG. 8



FIG. 9